



US00D612064S

(12) **United States Design Patent**  
**Strandberg et al.**

(10) **Patent No.:** **US D612,064 S**  
(45) **Date of Patent:** **\*\* Mar. 16, 2010**

(54) **EMERGENCY EYEWASH UNIT**

(75) Inventors: **Victor C. Strandberg**, Washoe Valley, NV (US); **Ian T. Roberts**, Sparks, NV (US); **Joshua D. Linn**, Carson City, NV (US)

(73) Assignee: **Haws Corporation**, Sparks, NV (US)

(\*\*) Term: **14 Years**

(21) Appl. No.: **29/319,362**

(22) Filed: **Jun. 6, 2008**

(51) **LOC (9) Cl.** ..... **24-02**

(52) **U.S. Cl.** ..... **D24/231; D24/232**

(58) **Field of Classification Search** ..... D23/200, D23/213, 226, 232, 238-257, 291; D6/512, D6/546, 550; D8/300, 306-308, 310-312, D8/321; 4/620, 623-624, 675-678; 137/801; 16/110.1, 441; 604/294, 301  
See application file for complete search history.

(56) **References Cited**

**U.S. PATENT DOCUMENTS**

D174,722	S *	5/1955	Traynor	.....	D23/226
3,090,050	A *	5/1963	Fraser et al.	.....	4/620
D216,884	S *	3/1970	Wright	.....	D23/291
4,012,798	A *	3/1977	Liautaud	.....	4/620
D250,594	S *	12/1978	Gardner	.....	D23/213
4,363,146	A *	12/1982	Liautaud	.....	4/624
4,881,283	A *	11/1989	Liautaud	.....	4/620
5,008,963	A *	4/1991	Stein	.....	4/623
5,157,798	A *	10/1992	Van Kammen	.....	4/620
5,566,406	A *	10/1996	Demeny et al.	.....	4/620
6,296,626	B1 *	10/2001	Stein	.....	604/294

D466,589	S *	12/2002	Miedzius	.....	D23/239
D529,185	S *	9/2006	Zhou	.....	D24/232
2007/0089233	A1 *	4/2007	Smith et al.	.....	4/620
2008/0281280	A1 *	11/2008	Jaworski et al.	.....	604/301

\* cited by examiner

*Primary Examiner*—T. Chase Nelson

*Assistant Examiner*—Mark Cavanna

(74) *Attorney, Agent, or Firm*—Kelly Lowry & Kelley, LLP; Stuart O. Lowry

(57) **CLAIM**

The ornamental design for an emergency eyewash unit, as shown and described.

**DESCRIPTION**

FIG. 1 is a perspective view showing the front, top and left sides of an emergency eyewash unit embodying the new design;

FIG. 2 is a top plan view thereof;

FIG. 3 is a perspective view showing the top and front sides thereof;

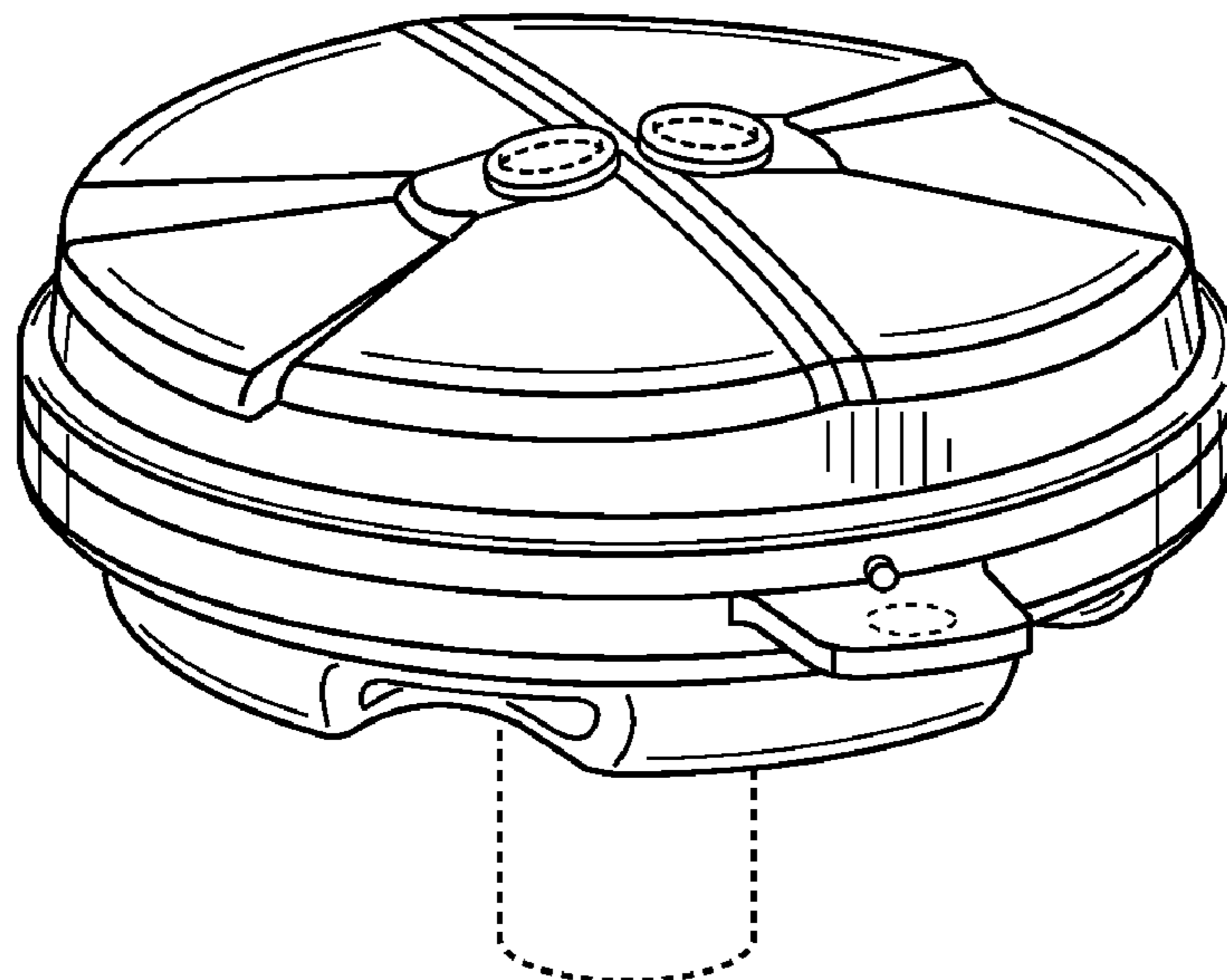
FIG. 4 is a perspective view showing the top and right sides thereof, the left side being a mirror image of the right side as shown;

FIG. 5 is a perspective view showing the top and rear sides thereof; and,

FIG. 6 is a bottom plan view thereof.

The broken line showing of an interior portion of the spout, lower pipe and protrusion above the tab in included for purposes of illustrating the environment and forms no part of the claimed design.

**1 Claim, 2 Drawing Sheets**



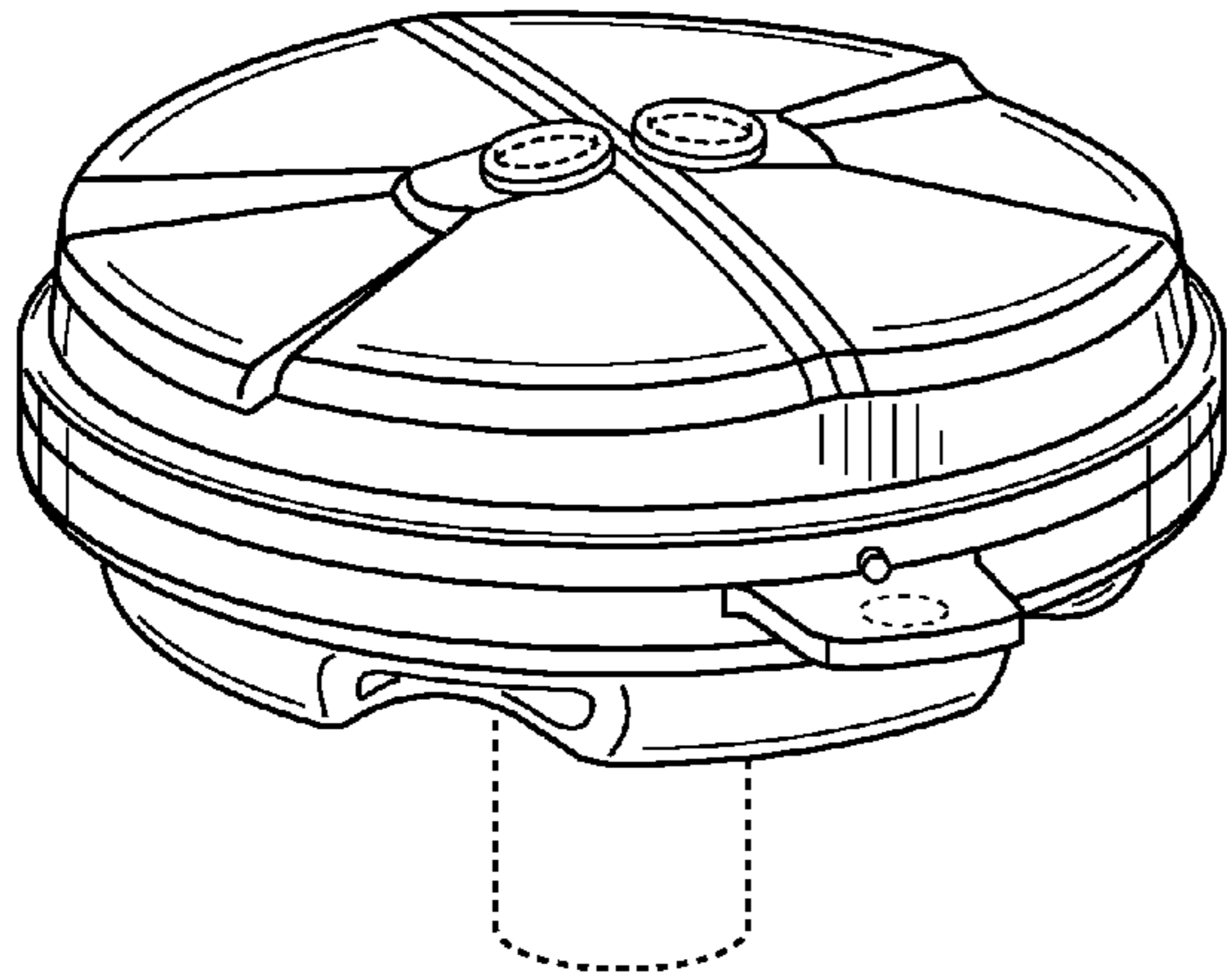


FIG. 1

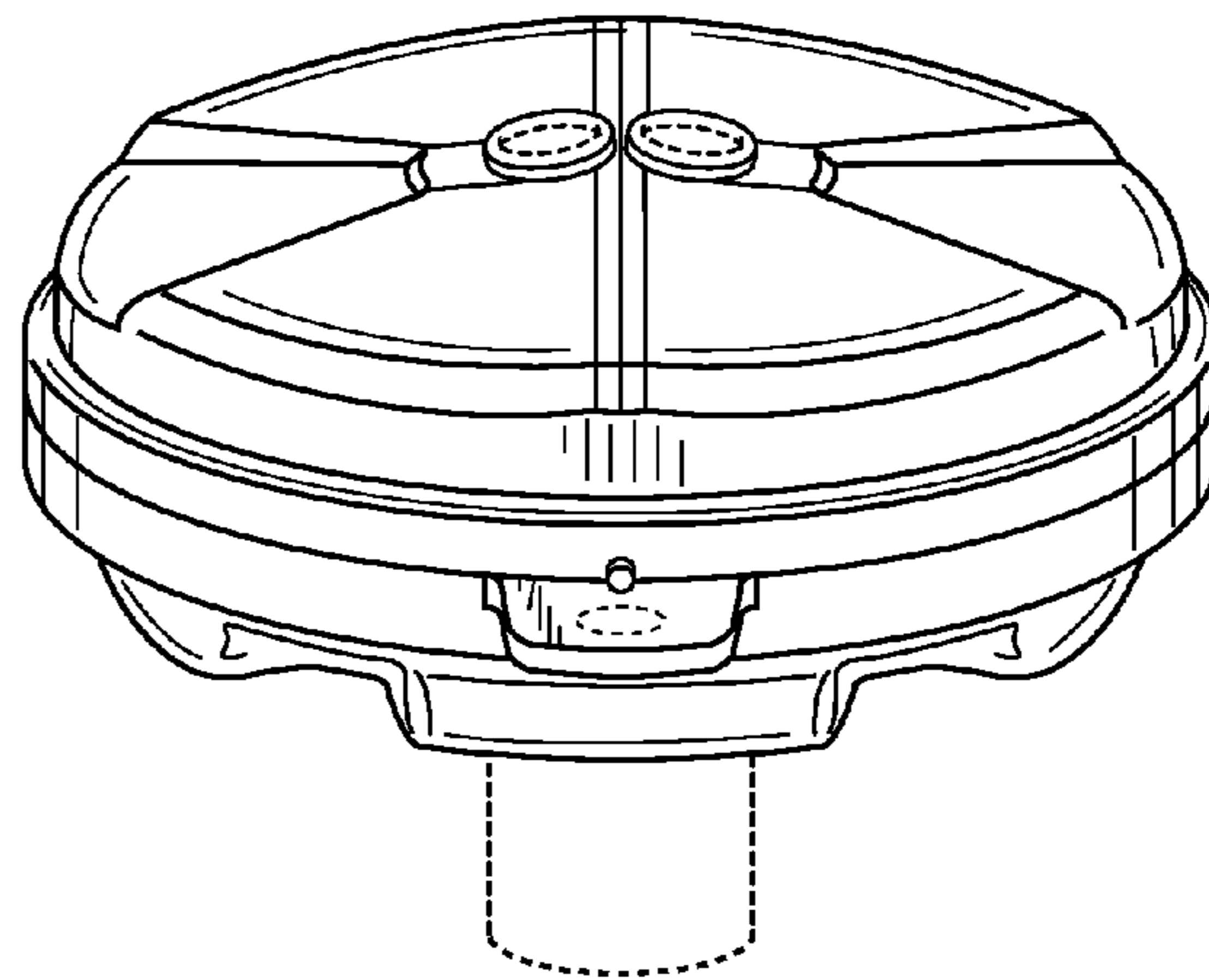


FIG. 2

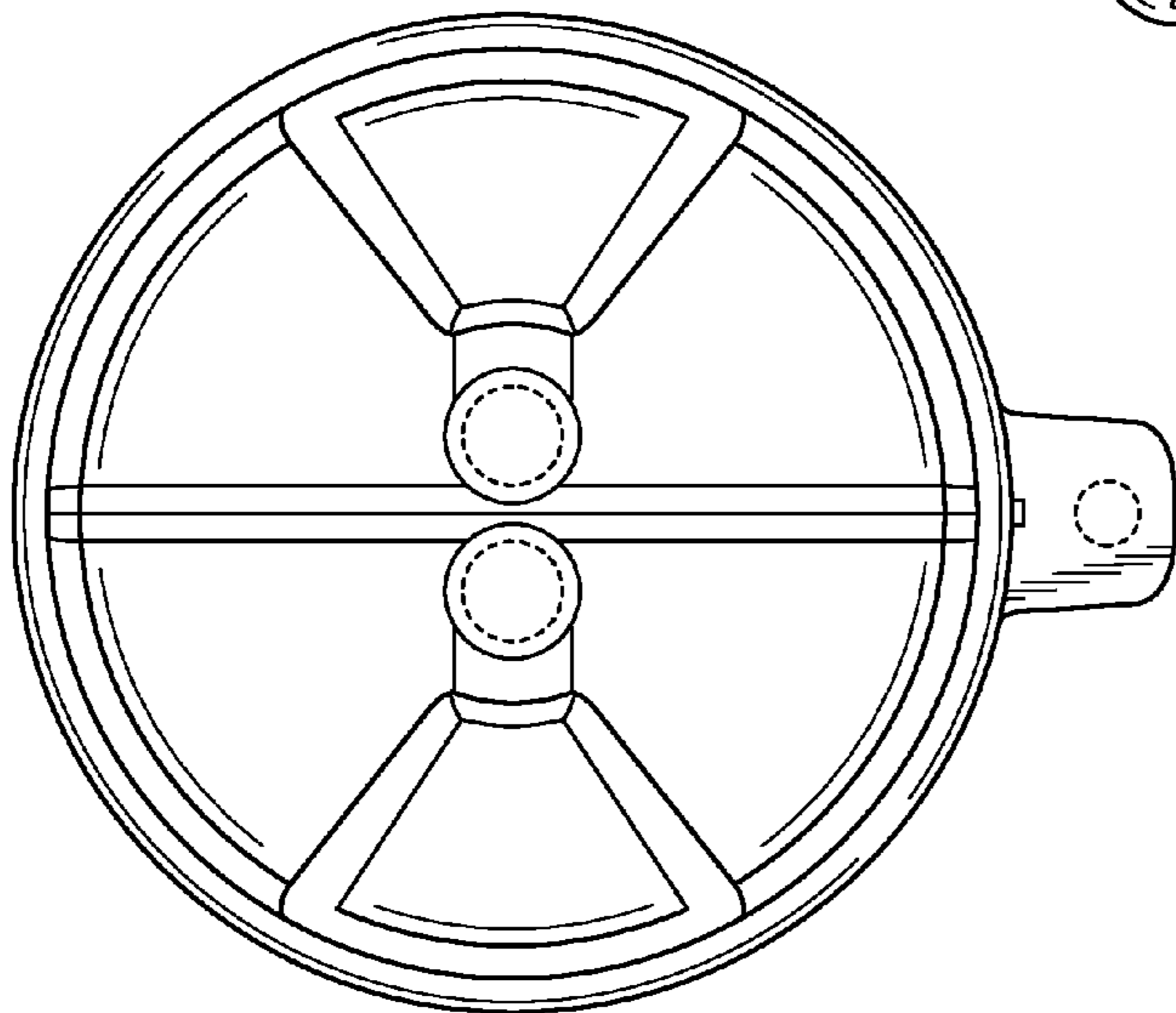


FIG. 3

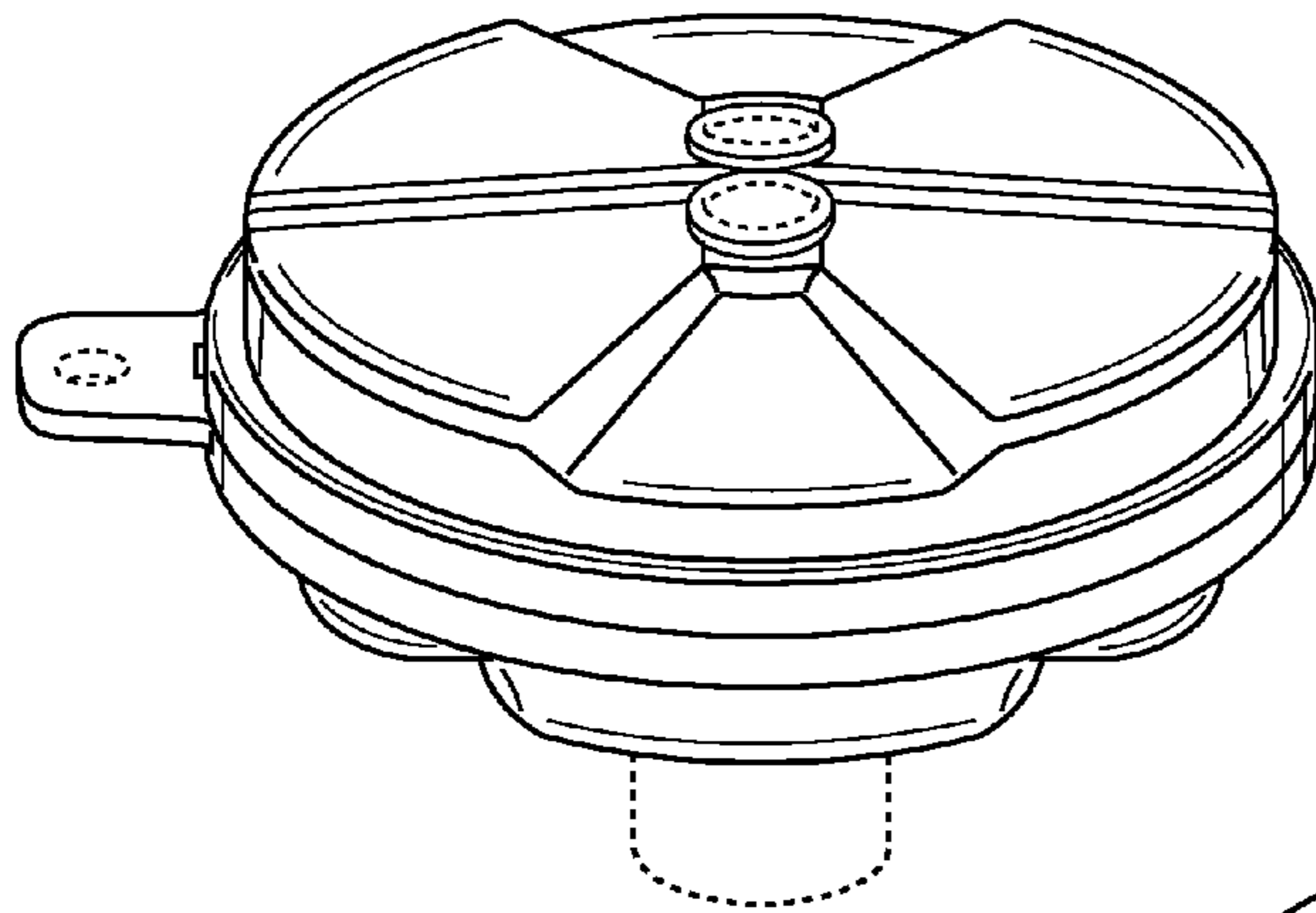


FIG. 4

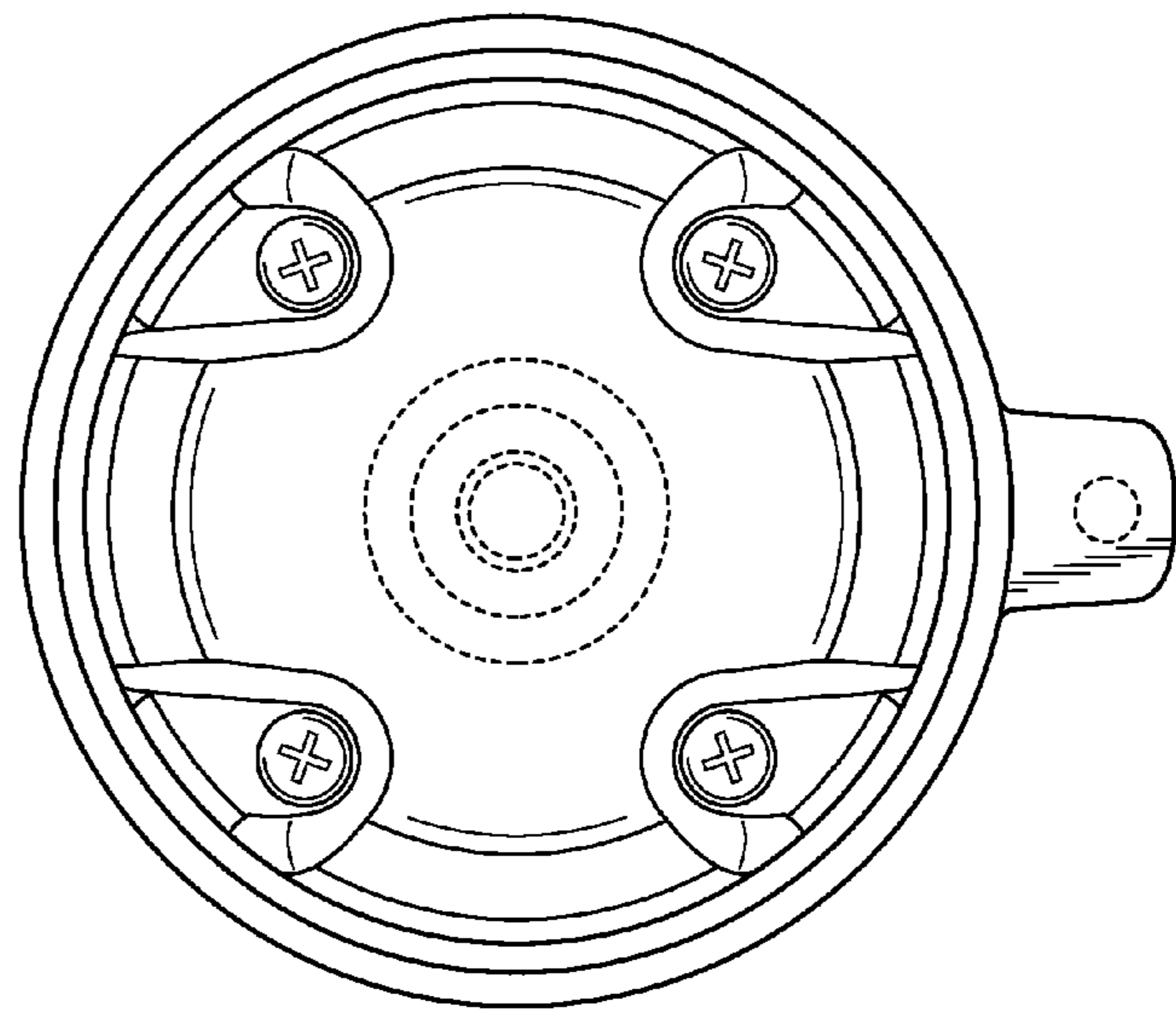


FIG. 6

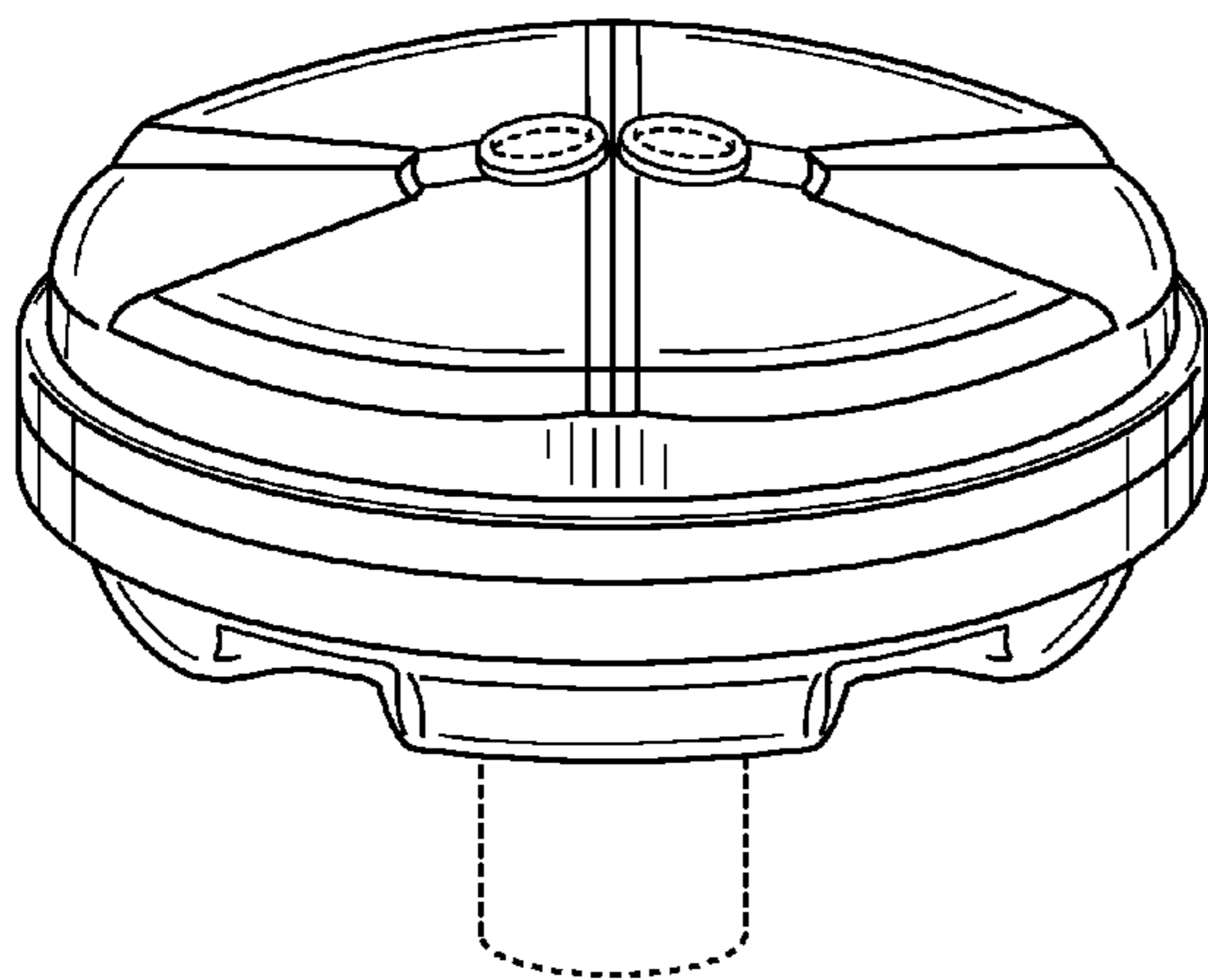


FIG. 5