



US00D612061S

(12) **United States Design Patent**  
**Alvarez**

(10) **Patent No.:** **US D612,061 S**  
(45) **Date of Patent:** **\*\* Mar. 16, 2010**

(54) **FOOT SUPPORT WRAP**

(76) Inventor: **Lazaro F. Alvarez**, 5761 NW. 192 St.,  
Miami, FL (US) 33015

(\*\*) Term: **14 Years**

(21) Appl. No.: **29/324,566**

(22) Filed: **Sep. 15, 2008**

(51) **LOC (9) Cl.** ..... **24-01**

(52) **U.S. Cl.** ..... **D24/192**

(58) **Field of Classification Search** ..... D24/190,  
D24/192; 602/23, 27-28, 41, 60-66; 128/DIG. 15,  
128/882, 894, 898; D2/896, 901, 915, 980-994;  
2/22, 61, 239, 242, 409, 911; 66/172 R,  
66/172 E, 190; 248/205.2, 309.1

See application file for complete search history.

(56) **References Cited**

**U.S. PATENT DOCUMENTS**

1,974,045	A *	9/1934	Frei	.....	602/66
3,506,000	A *	4/1970	Baker	.....	602/65
3,699,959	A *	10/1972	Garrahan et al.	.....	602/65
4,166,460	A *	9/1979	Applegate	.....	602/27
4,367,733	A *	1/1983	Stromgren	.....	602/65
4,597,395	A *	7/1986	Barlow et al.	.....	602/27
4,729,370	A *	3/1988	Kallassy	.....	602/65
4,844,058	A *	7/1989	Vogelbach	.....	602/27
4,962,768	A *	10/1990	Stromgren et al.	.....	602/27
D350,204	S *	8/1994	Mance	.....	D24/192
5,445,598	A *	8/1995	Nguyen-Senderowicz	...	602/65
5,472,414	A *	12/1995	Detty	.....	602/27
5,620,413	A *	4/1997	Olson	.....	602/65
5,676,641	A *	10/1997	Arensdorf et al.	.....	602/27
D412,581	S *	8/1999	Brennan	.....	D24/192
6,117,098	A *	9/2000	Weber et al.	.....	602/27

6,350,247	B2 *	2/2002	Bodenschatz et al.	.....	602/65
D482,792	S *	11/2003	McCormick et al.	.....	D24/192
6,641,550	B1 *	11/2003	Johnson	.....	602/65
6,908,445	B2 *	6/2005	Watts	.....	602/28
D515,217	S *	2/2006	Machin et al.	.....	D24/192
7,094,213	B1 *	8/2006	Cook	.....	602/65
7,166,760	B1 *	1/2007	Talbot	.....	602/41

\* cited by examiner

*Primary Examiner*—Philip S. Hyder

*Assistant Examiner*—Susan E Krakower

(74) *Attorney, Agent, or Firm*—Albert Bordas, P.A.

(57) **CLAIM**

The ornamental design for a foot support wrap, as shown and described.

**DESCRIPTION**

FIG. 1 is a top plan view of a foot support wrap;

FIG. 2 is a front elevational view thereof;

FIG. 3 is a bottom view thereof;

FIG. 4 is a left side elevational view thereof, the right side elevational view being a mirror image thereof;

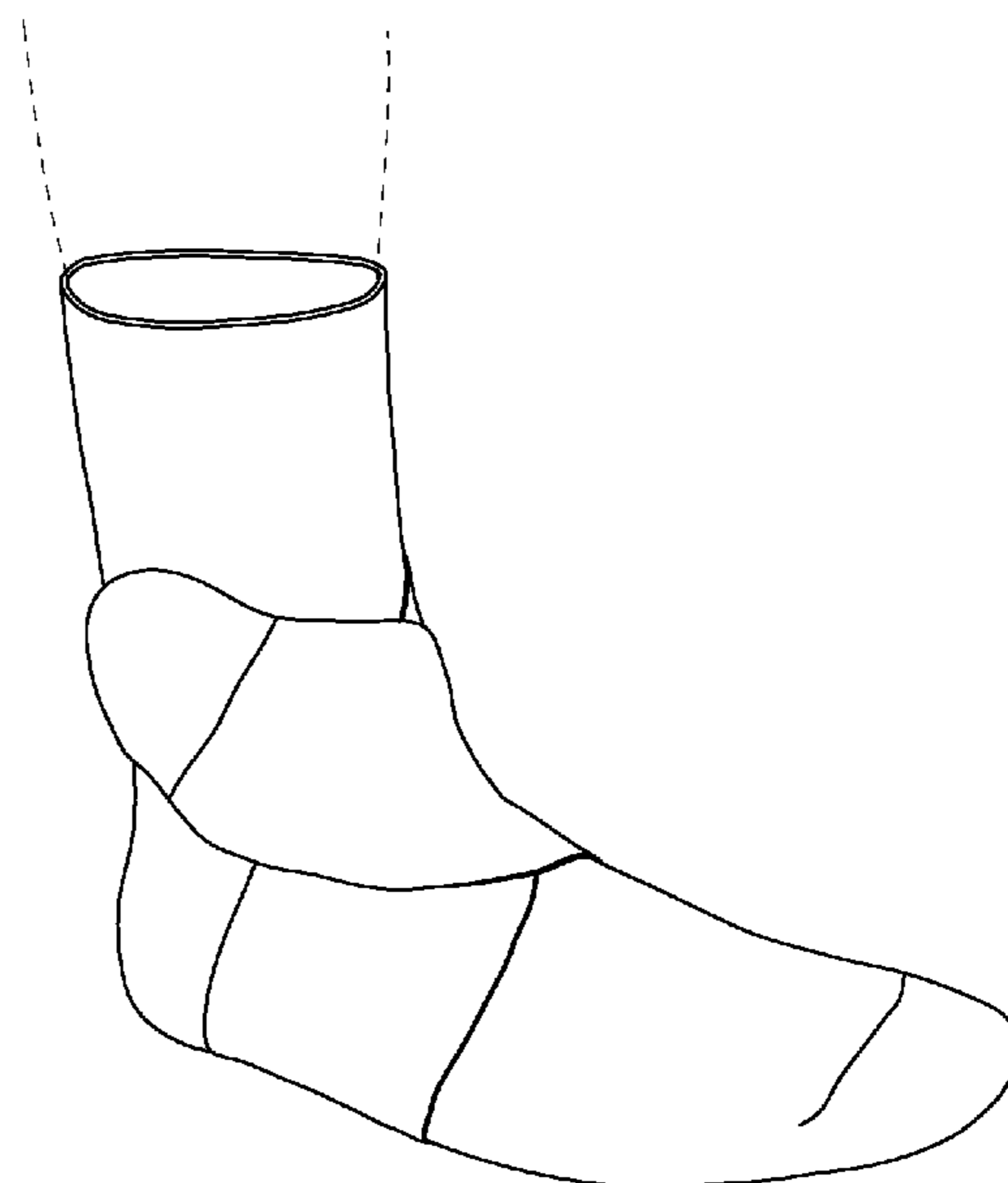
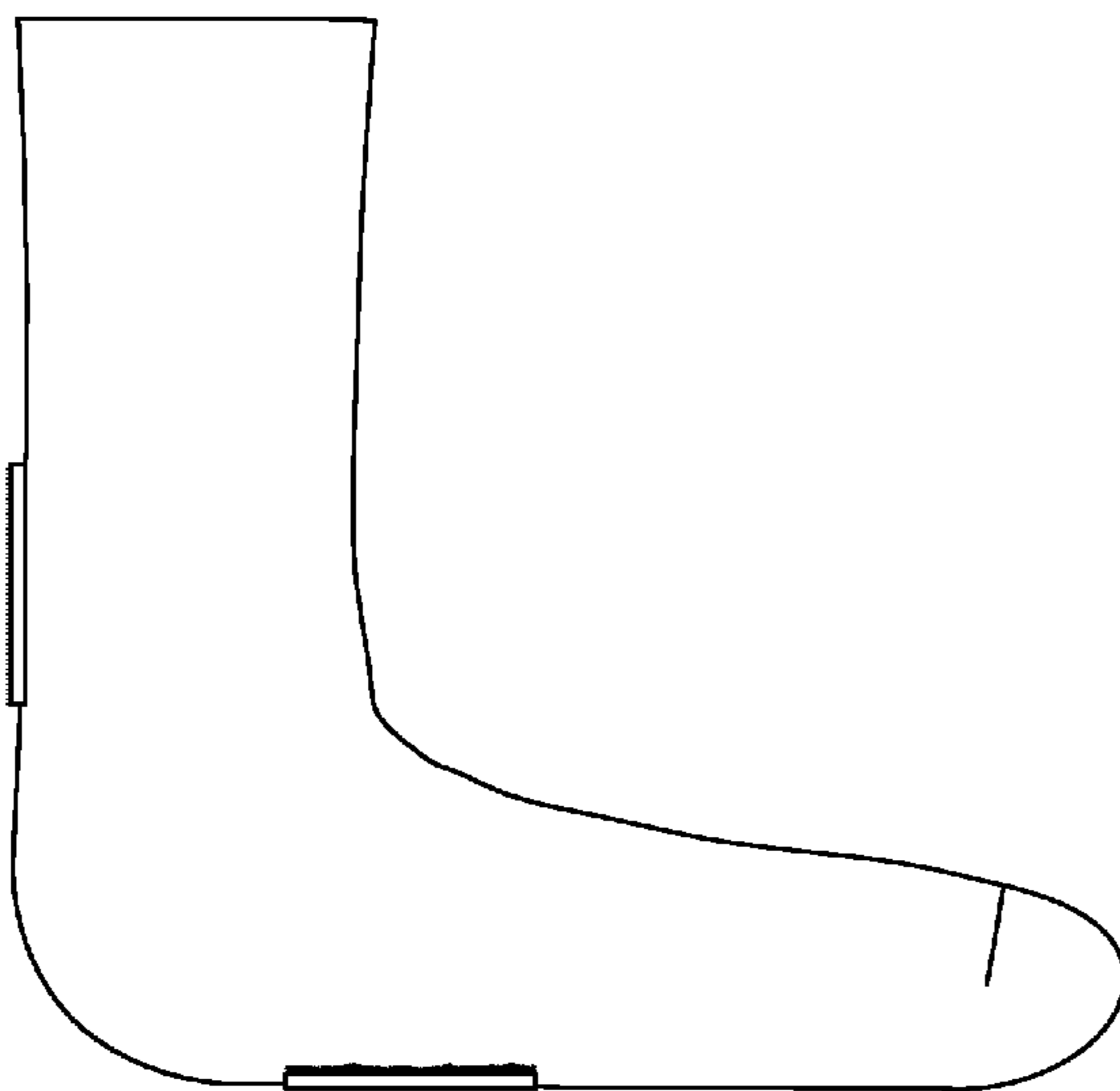
FIG. 5 is a rear elevational view thereof;

FIG. 6 is an isometric view thereof, showing the foot support conformed to a human foot shape with the support wrapped around the foot and ankle; and,

FIG. 7 is a second isometric view thereof, showing the foot support conformed to a human foot shape with the support wrapped around the foot and ankle.

The broken lines illustrate environmental structure and form no part of the claimed design.

**1 Claim, 3 Drawing Sheets**



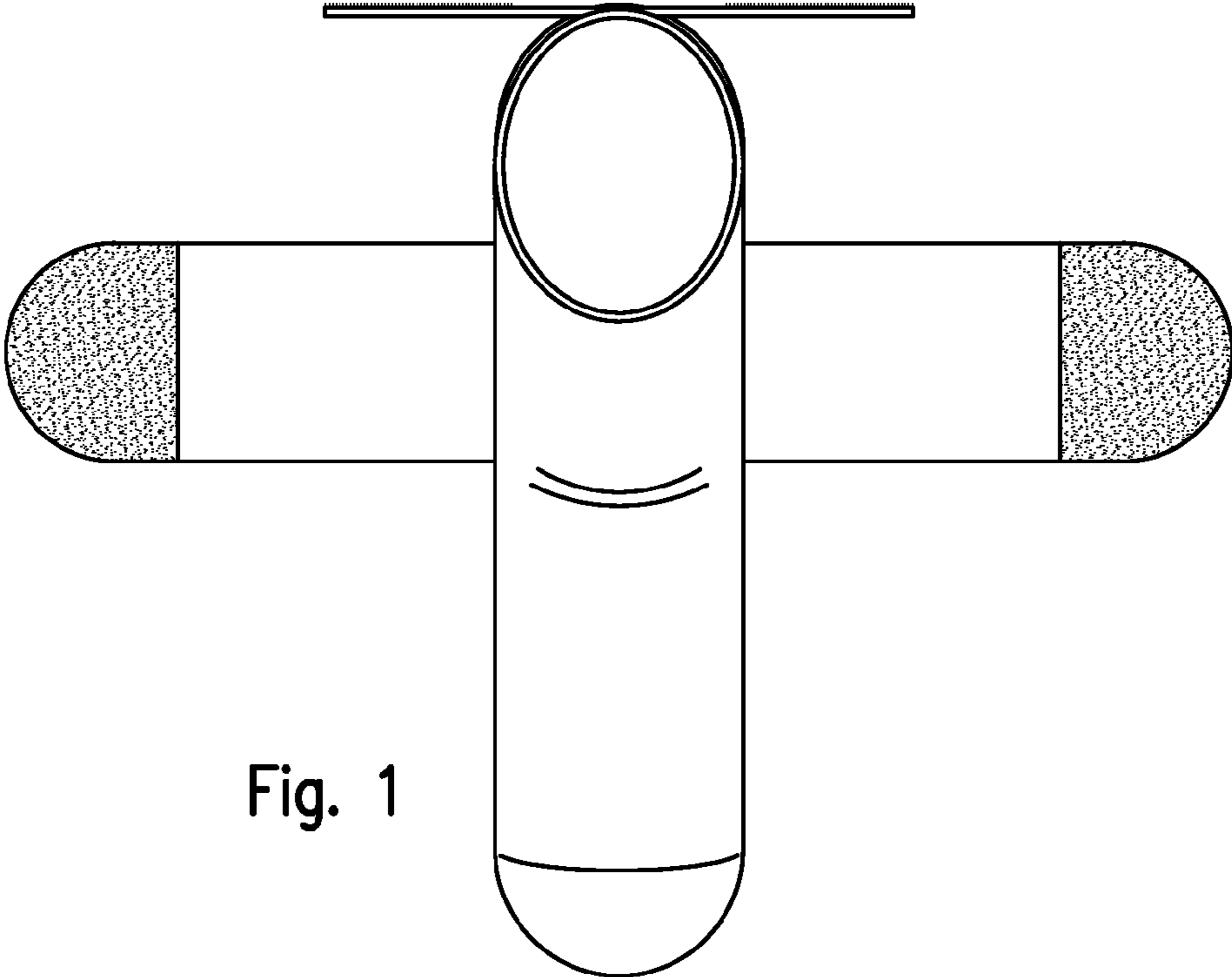


Fig. 1

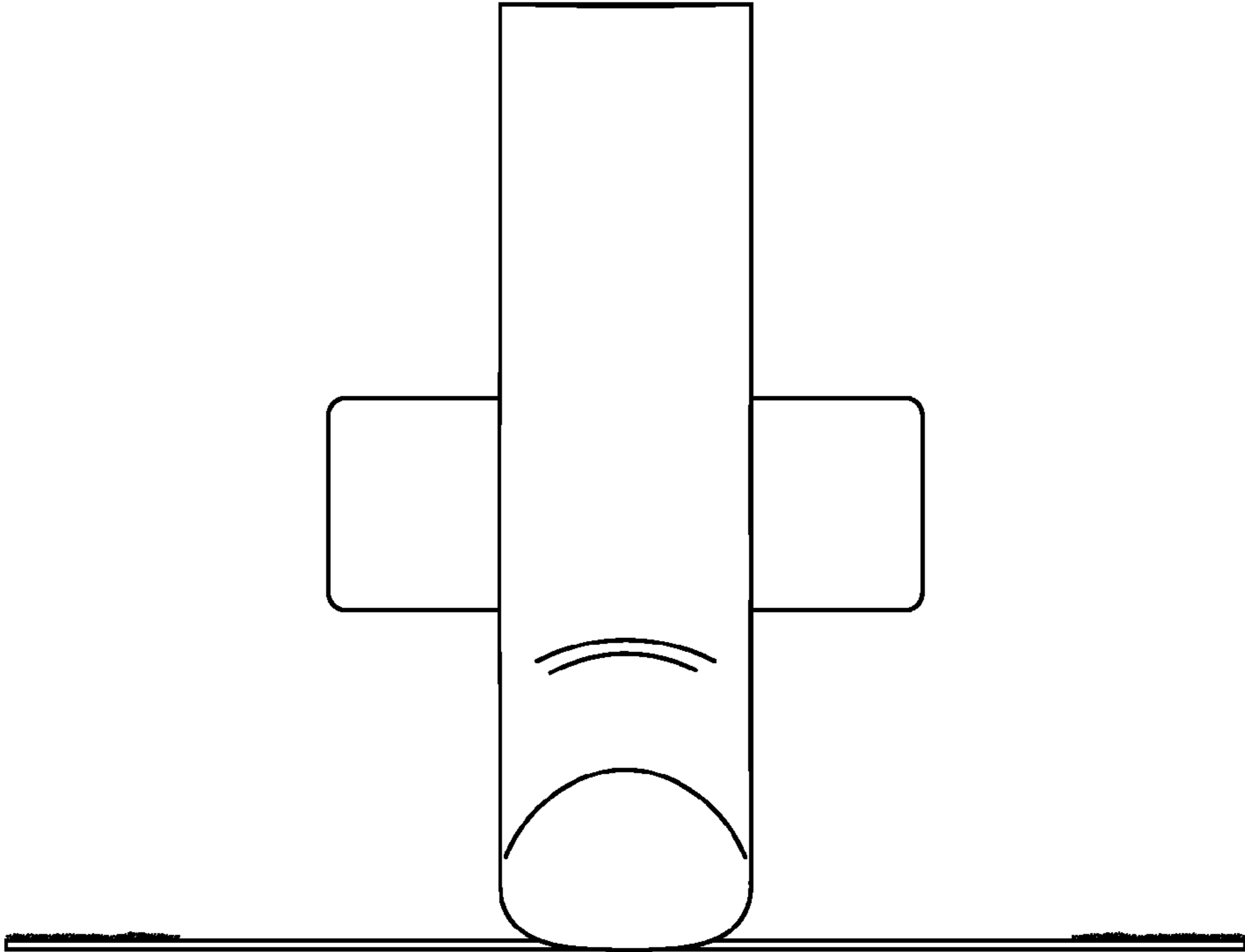


Fig. 2

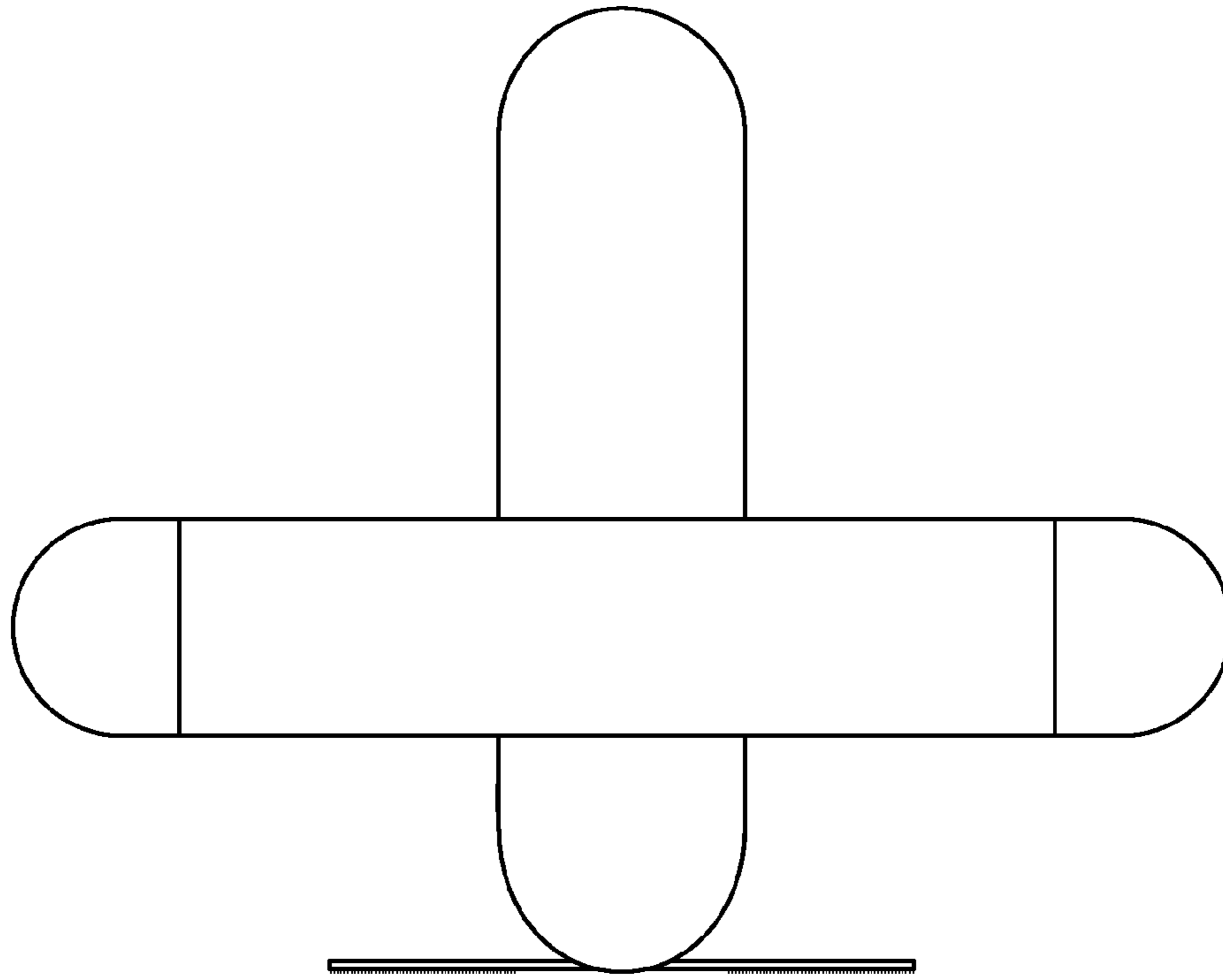


Fig. 3

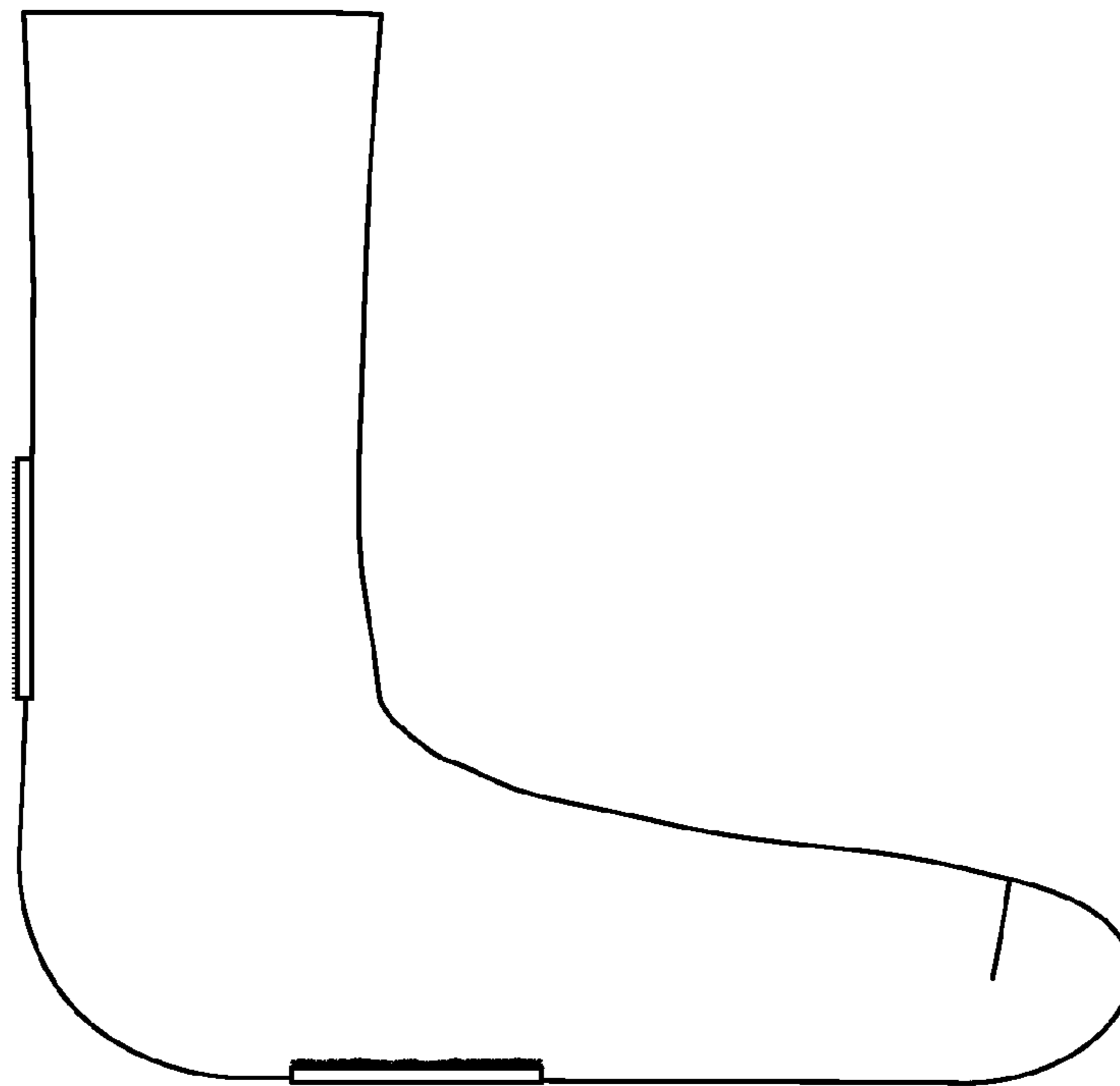


Fig. 4

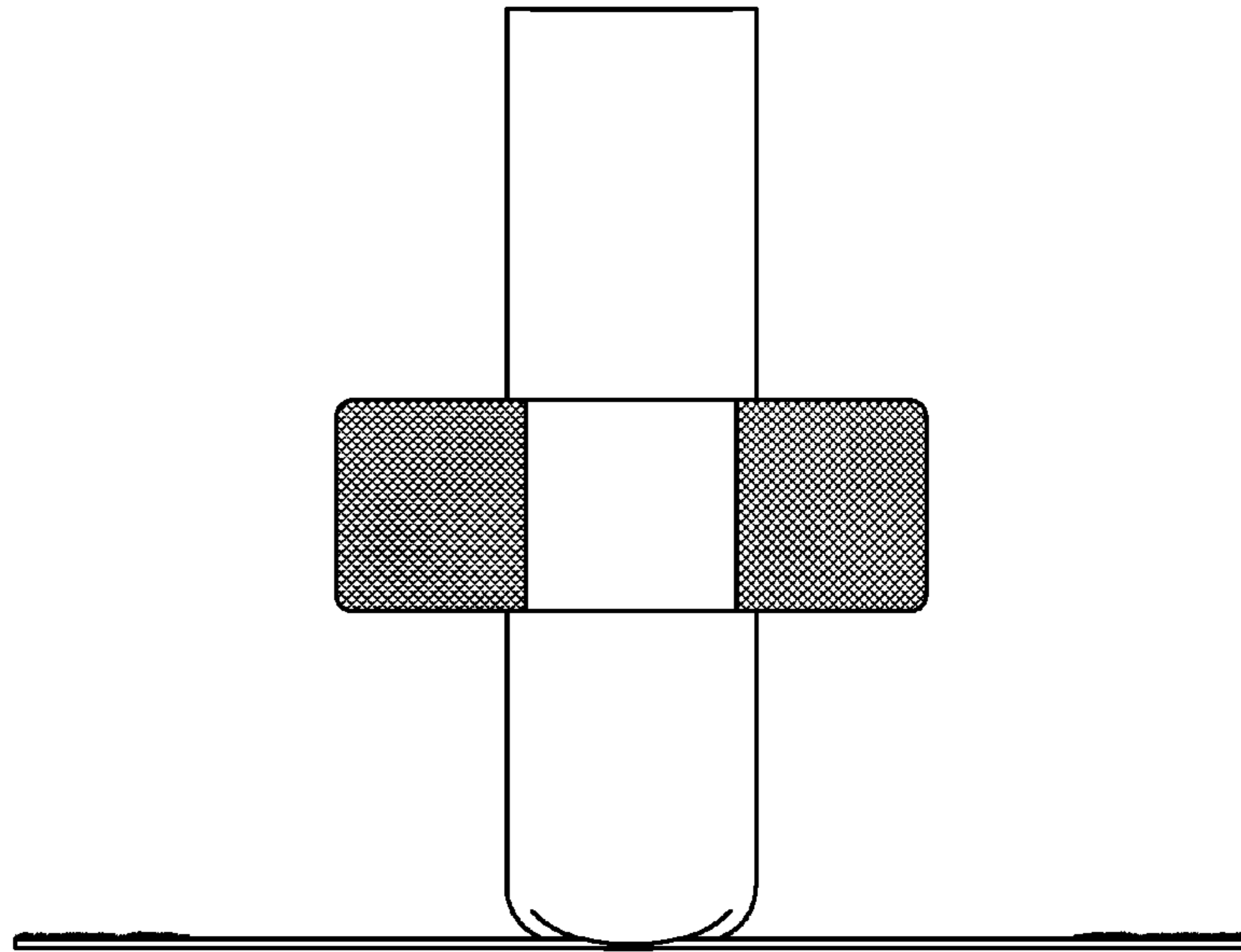


Fig. 5

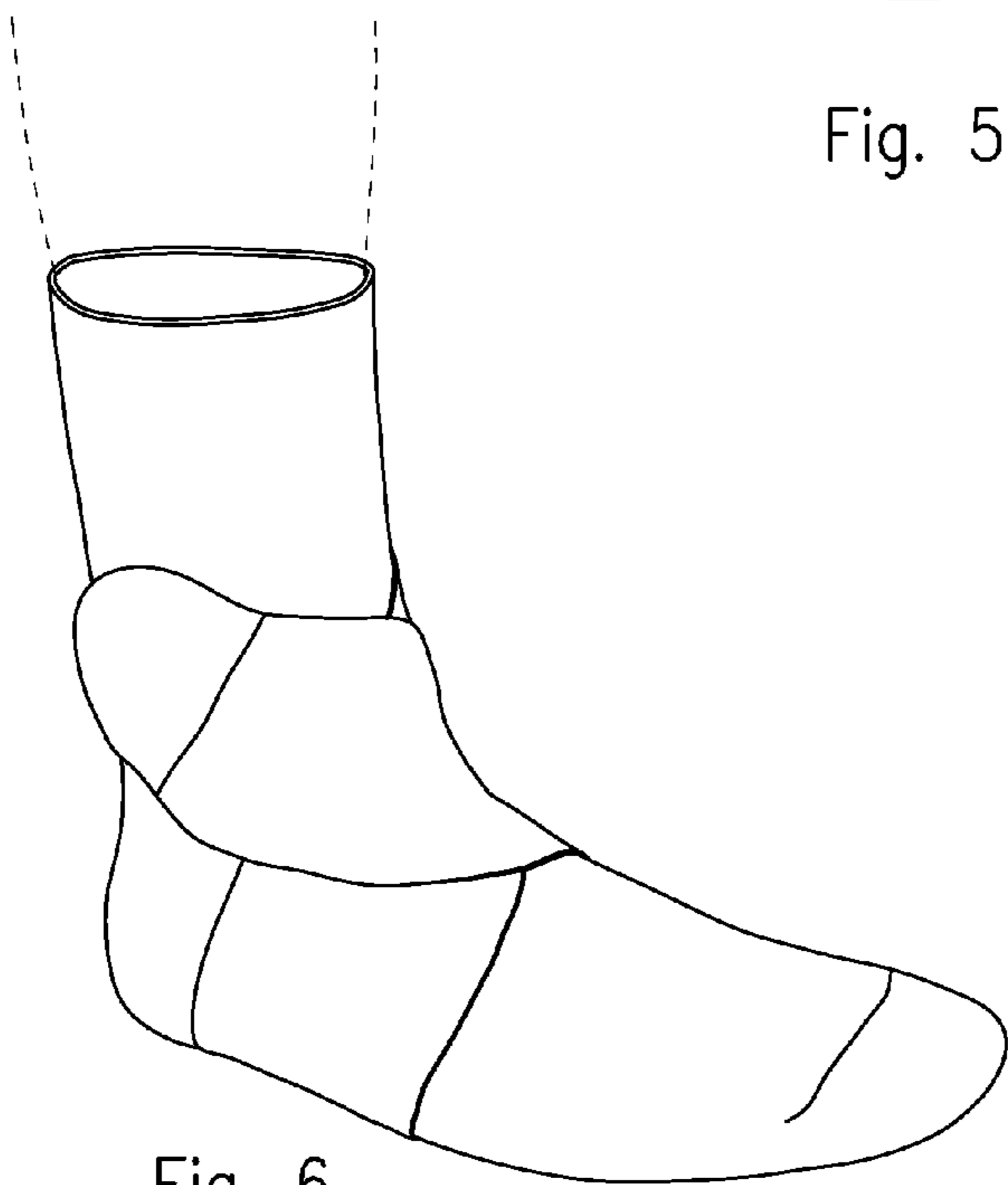


Fig. 6

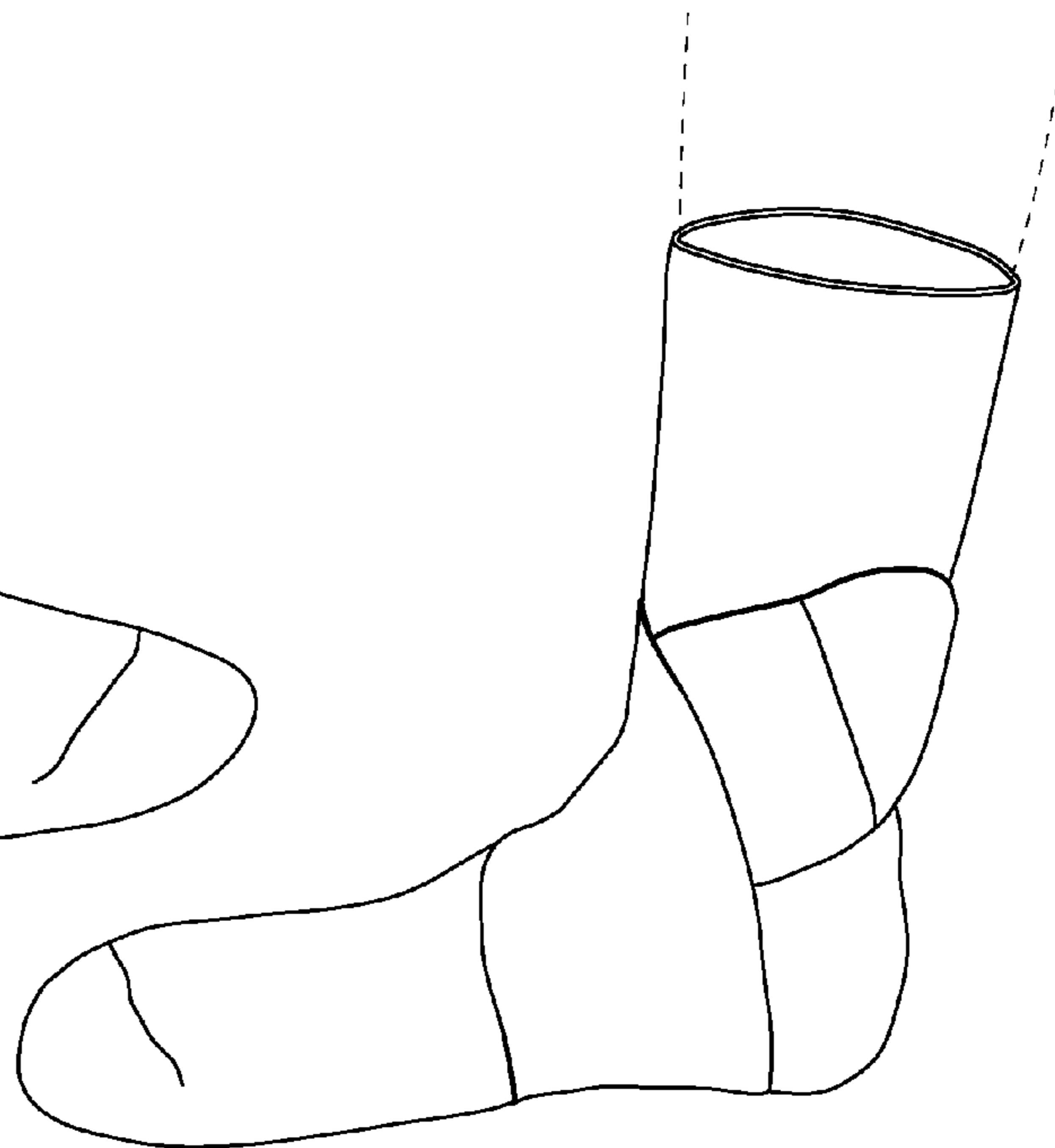


Fig. 7