



US00D612058S

(12) **United States Design Patent**
Wai

(10) **Patent No.:** **US D612,058 S**
(45) **Date of Patent:** **** Mar. 16, 2010**

(54) **RECHARGEABLE IN THE EAR HEARING AMPLIFIER**

D532,110 S * 11/2006 Bailey et al. D24/174
D564,664 S * 3/2008 Bailey et al. D24/174

(75) Inventor: **Victor Kingsun Wai**, Sui Lam NT (HK)

* cited by examiner

(73) Assignee: **Well Brain International, Ltd.**,
Kowloon (HK)

Primary Examiner—T. Chase Nelson

Assistant Examiner—Anhdao Doan

(74) *Attorney, Agent, or Firm*—Jellett Law PS

(**) Term: **14 Years**

(57) **CLAIM**

(21) Appl. No.: **29/328,576**

The ornamental design for a rechargeable in the ear hearing amplifier, as shown and described.

(22) Filed: **Nov. 26, 2008**

DESCRIPTION

(51) **LOC (9) Cl.** **24-99**

(52) **U.S. Cl.** **D24/174**

(58) **Field of Classification Search** D24/173–175,
D24/182, 106; D14/205, 223, 224, 249;
381/23.1, 312, 322, 323, 324, 328, 329, 330,
381/380, 381; 181/129, 130, 134, 135, 137
See application file for complete search history.

FIG. 1 is a top perspective view of the embodiment of the present design;

FIG. 2 is a bottom perspective view of the embodiment of the present design;

FIG. 3 is a bottom plan view thereof;

FIG. 4 is a top plan view thereof;

FIG. 5 is a rear elevation view thereof;

FIG. 6 is a front elevation view thereof;

FIG. 7 is a first side elevation view thereof; and,

FIG. 8 is a second side elevation view thereof.

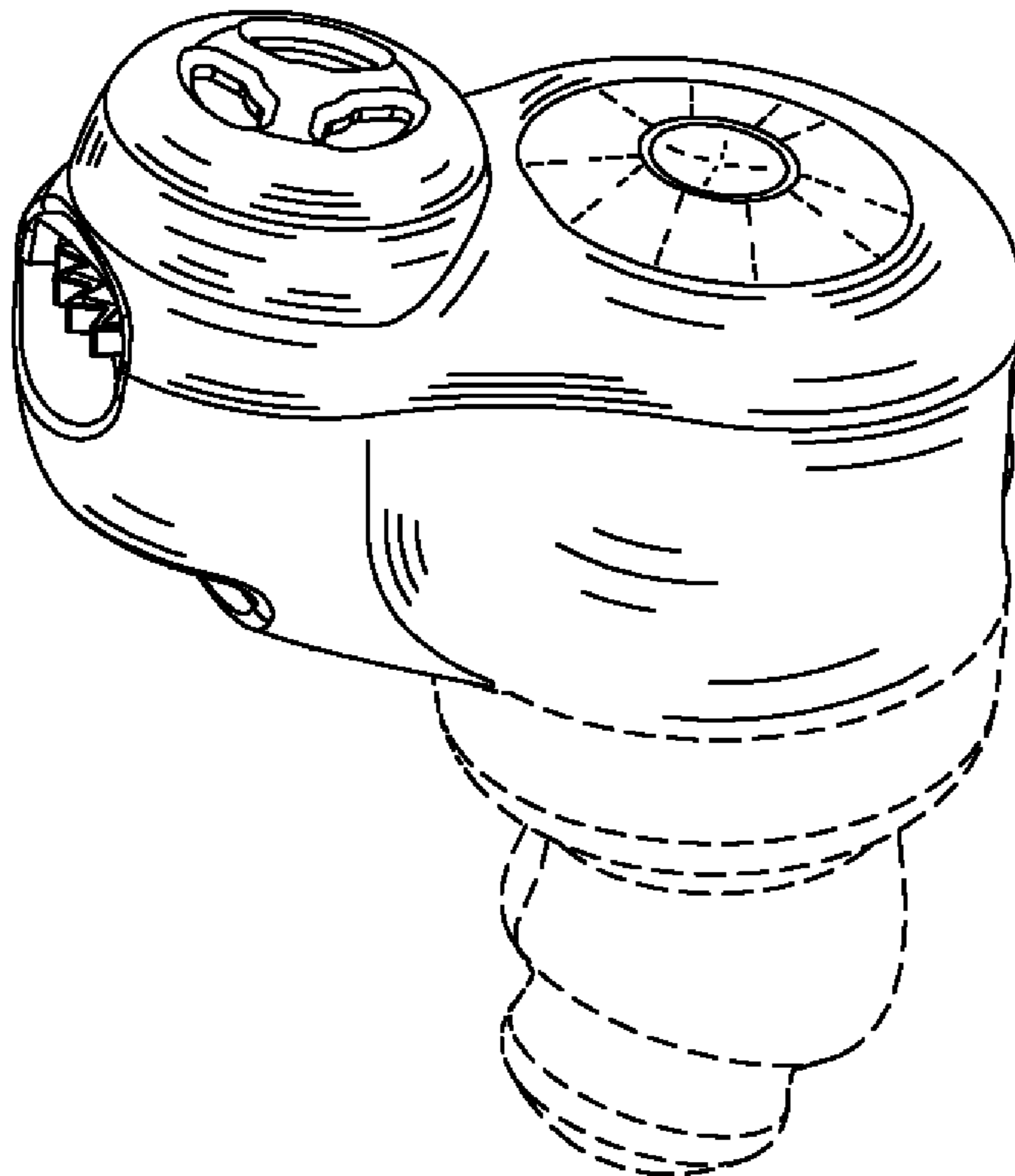
The broken lines in drawing views are included for the purposes of illustrating the unclaimed portions of the claimed design.

(56) **References Cited**

U.S. PATENT DOCUMENTS

3,983,336	A	*	9/1976	Malek et al.	381/313
D266,271	S	*	9/1982	Johanson et al.	D24/174
D297,979	S	*	10/1988	Voroba et al.	D24/174
D367,113	S	*	2/1996	Weeks	D24/174
D375,556	S	*	11/1996	Narisawa et al.	D24/174
D397,796	S	*	9/1998	Yabe et al.	D24/174
D405,528	S	*	2/1999	Shennib et al.	D24/174
D478,991	S	*	8/2003	Dyer et al.	D24/174

1 Claim, 4 Drawing Sheets



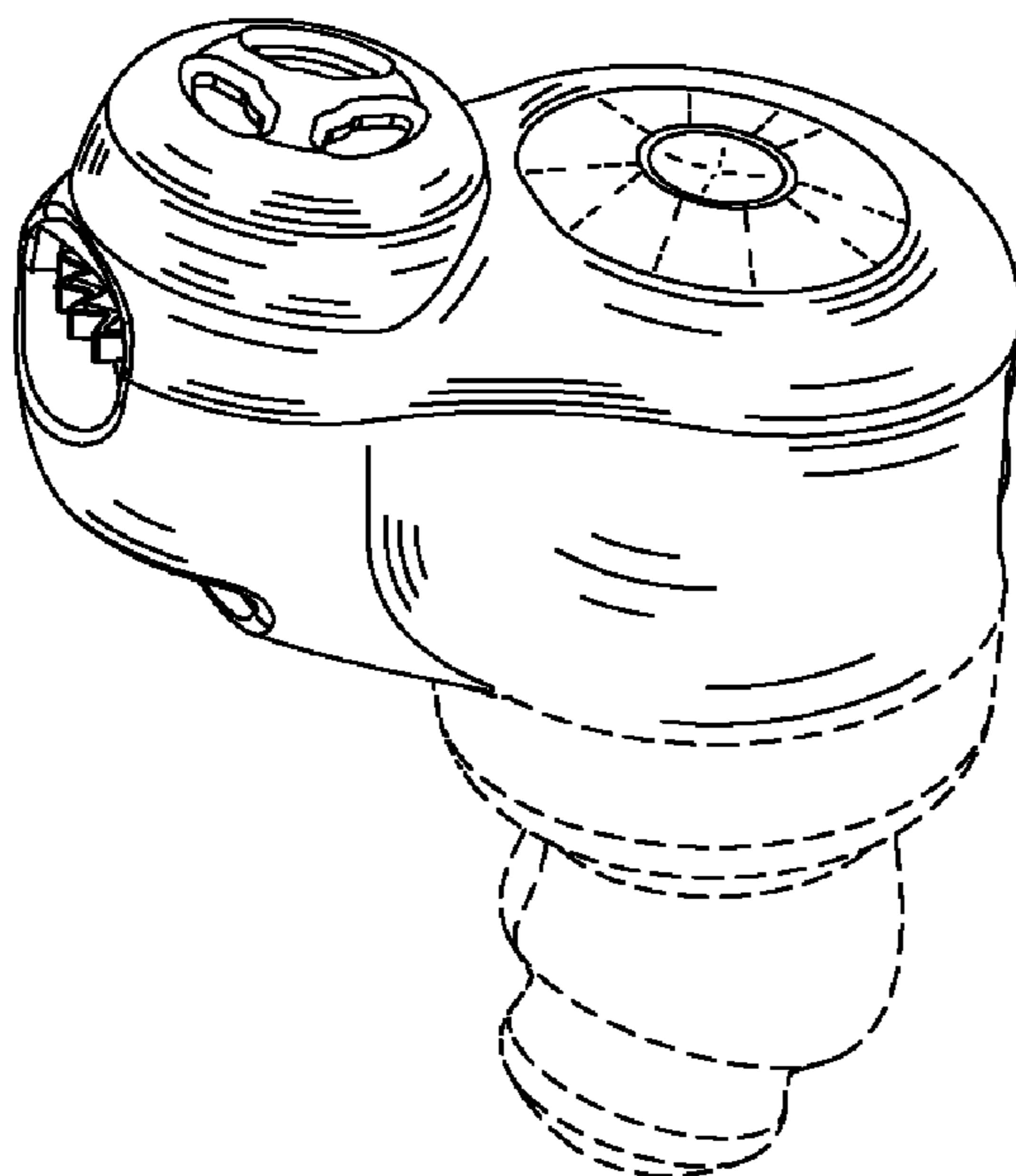


FIG. 1

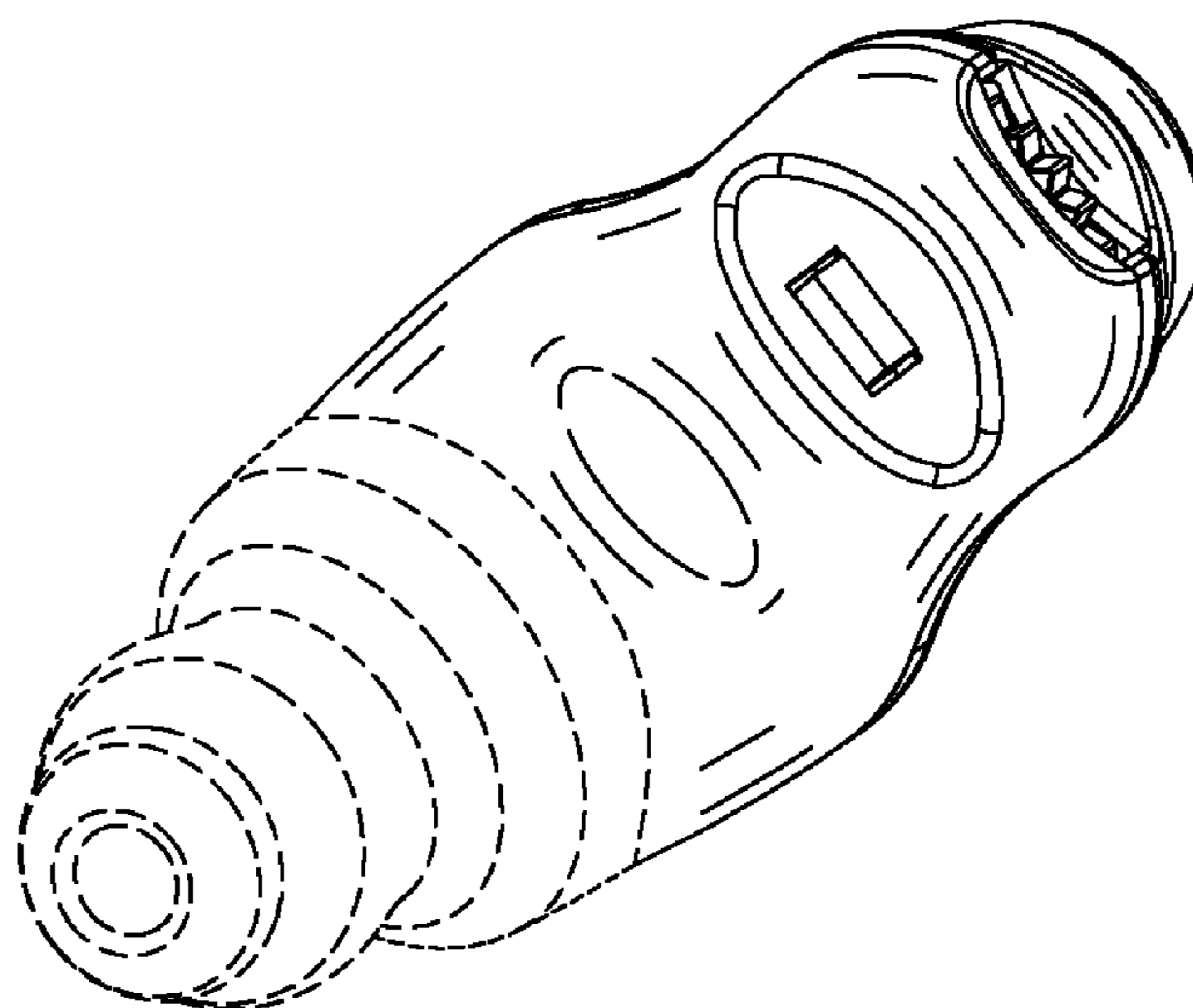


FIG. 2

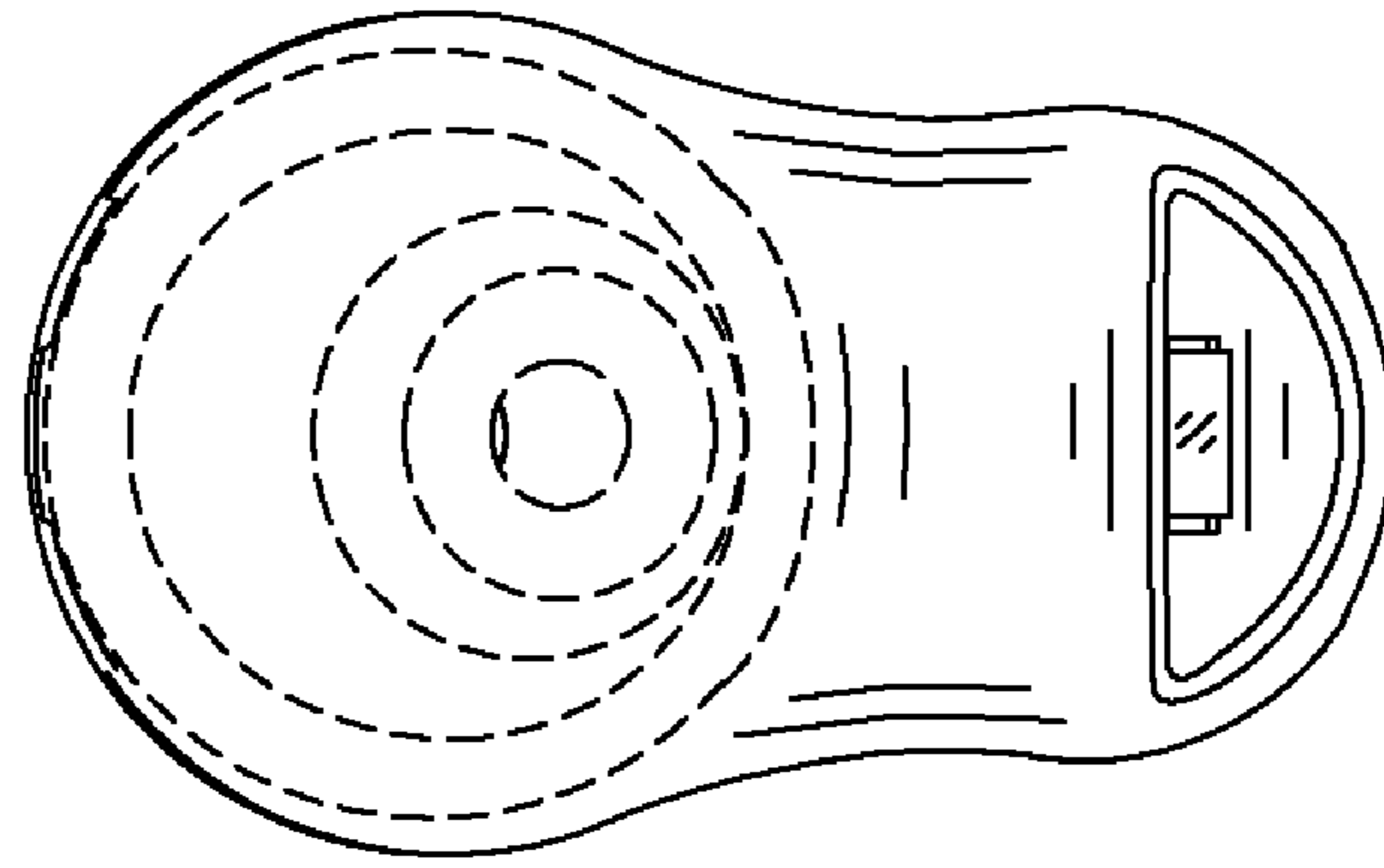


FIG. 3

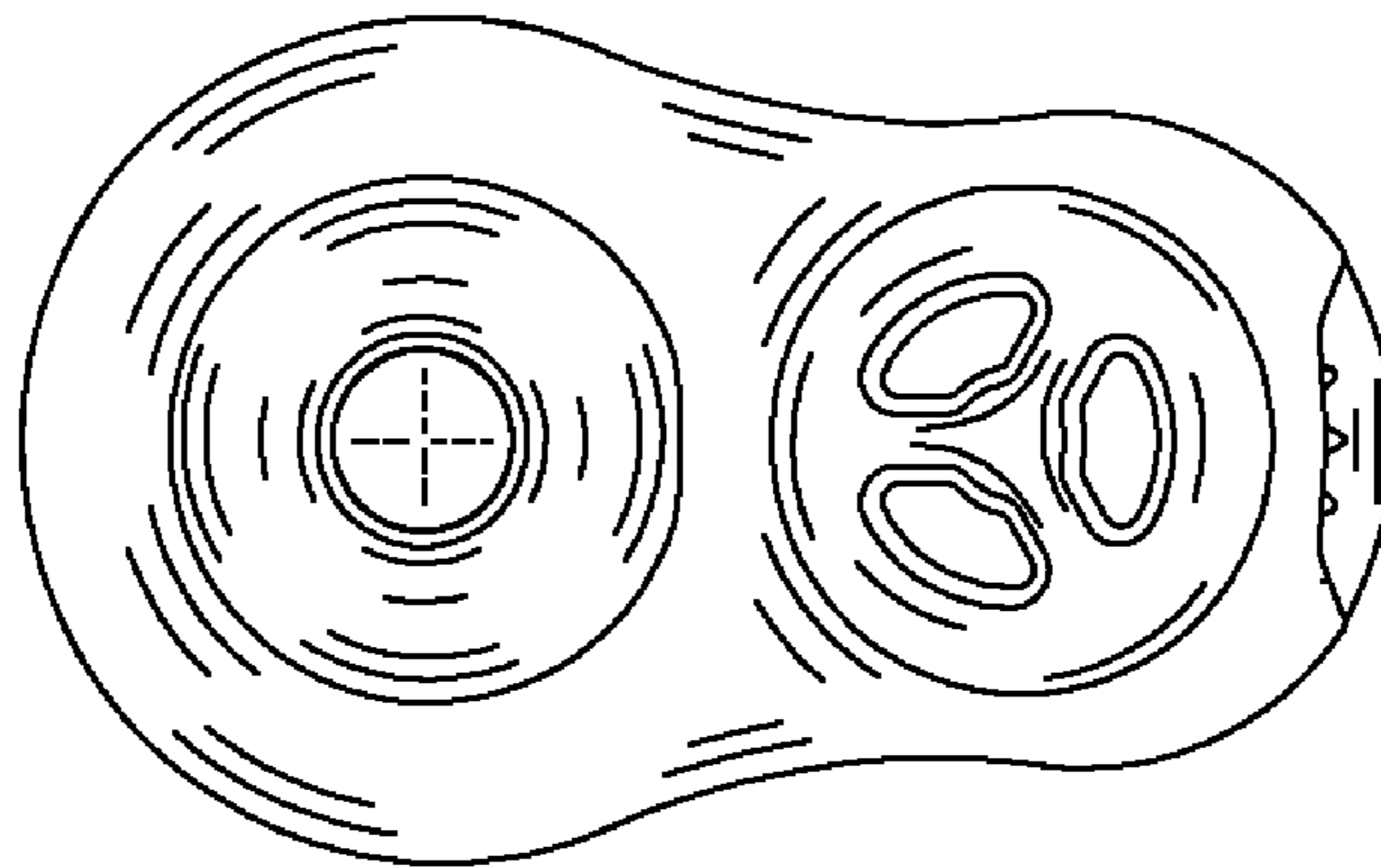


FIG. 4

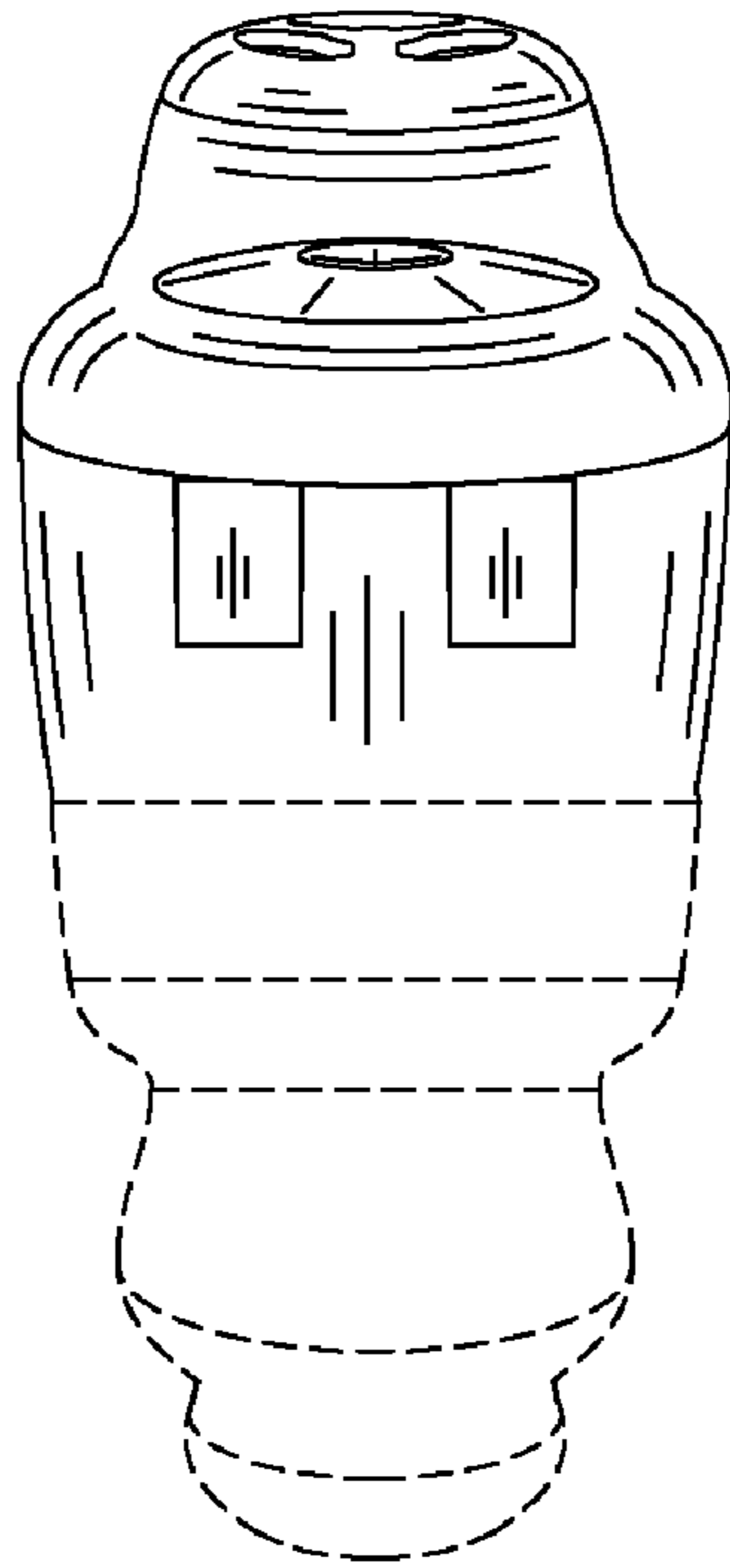


FIG. 5

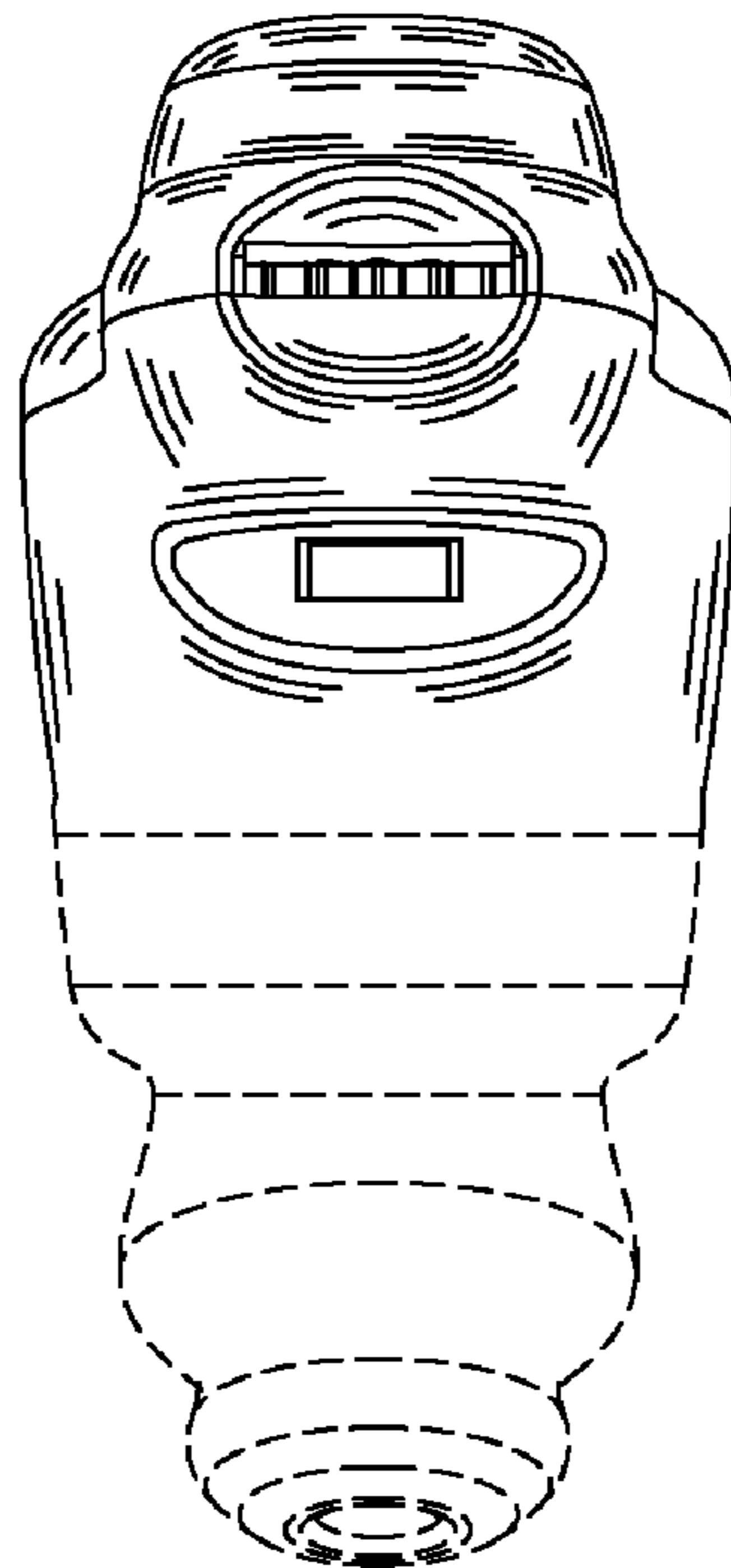


FIG. 6

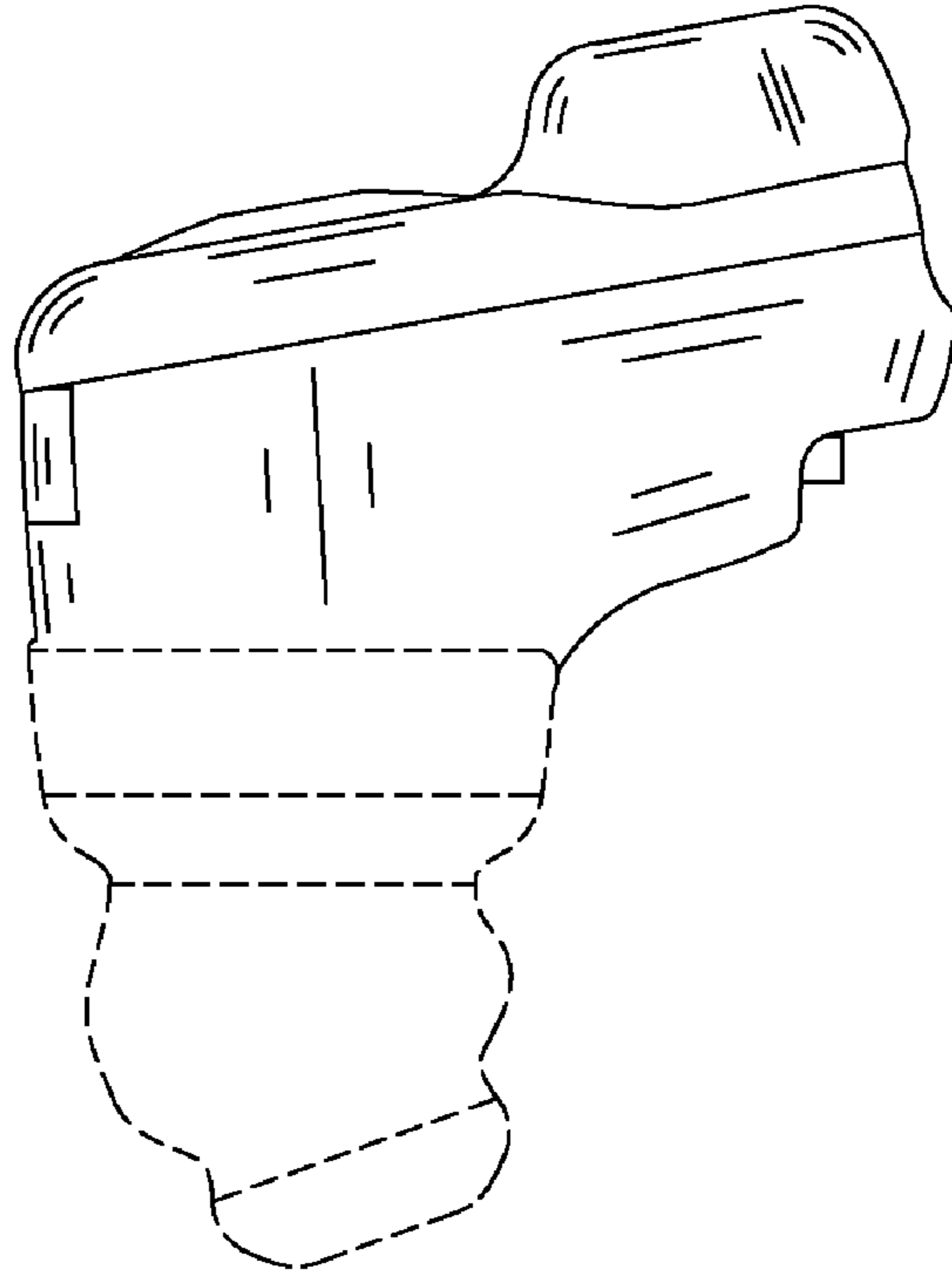


FIG. 7

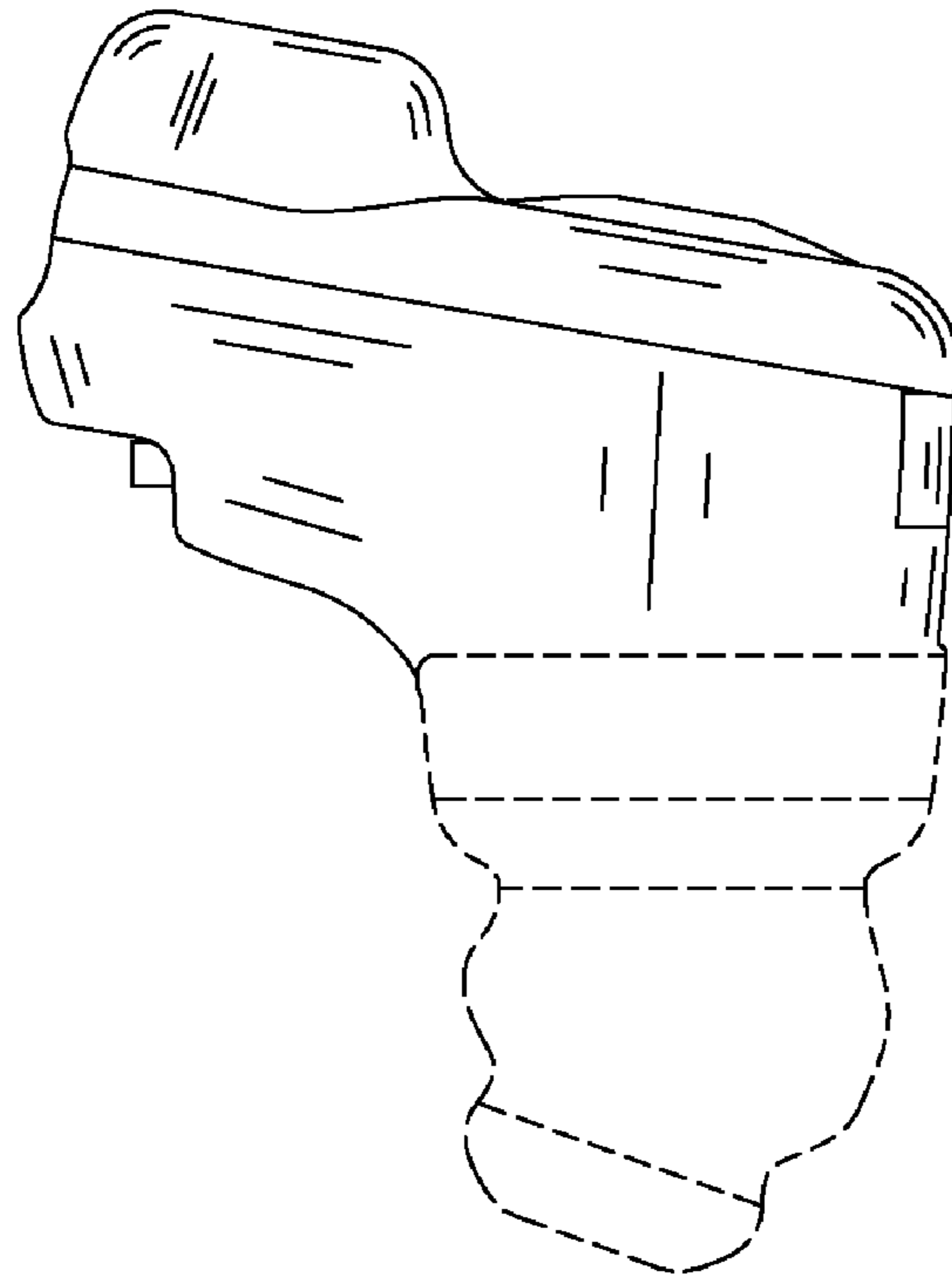


FIG. 8