



US00D612057S

(12) **United States Design Patent**
Meschenmoser et al.

(10) **Patent No.:** **US D612,057 S**
(45) **Date of Patent:** **** Mar. 16, 2010**

(54) **INLAY FOR TRANSPORT TRAY FOR SPECTACLE LENSES AND SPECTACLE LENS BLANKS**

(75) Inventors: **Ralf Meschenmoser**, Dewangen (DE);
Wolfgang Widmann, Aalen (DE)

(73) Assignee: **Carl Zeiss Vision GmbH**, Aalen (DE)

(**) Term: **14 Years**

(21) Appl. No.: **29/311,408**

(22) Filed: **Mar. 9, 2009**

(30) **Foreign Application Priority Data**

Sep. 10, 2008 (EM) 000999776

(51) **LOC (9) Cl.** **24-02**

(52) **U.S. Cl.** **D24/172**

(58) **Field of Classification Search** D24/150,
D24/172, 217, 218, 227, 230, 231; D16/100,
D16/101, 330; D3/263, 264; 206/5, 5.1,
206/562, 563; 359/811, 819, 827
See application file for complete search history.

(56) **References Cited**

U.S. PATENT DOCUMENTS

D238,202 S * 12/1975 Ebert D24/172
D243,980 S * 4/1977 Mankowski D6/469
4,173,281 A * 11/1979 Trought 206/5.1
4,205,747 A * 6/1980 Gilliam et al. 206/5.1
D325,443 S * 4/1992 Jermyn D24/218

D331,588 S * 12/1992 Ives D3/264
5,394,988 A * 3/1995 Edwards et al. 206/5.1
D360,068 S * 7/1995 Hambleton et al. D24/213
D382,399 S * 8/1997 Hambleton et al. D3/264
D434,558 S * 12/2000 Brady et al. D3/203.1
D487,762 S * 3/2004 Kapenekas et al. D16/135
7,066,797 B2 * 6/2006 Volken et al. 451/390
7,489,456 B2 * 2/2009 Yang et al. 359/811

* cited by examiner

Primary Examiner—T. Chase Nelson

Assistant Examiner—Anhdao Doan

(74) *Attorney, Agent, or Firm*—Walter Ottesen

(57) **CLAIM**

The ornamental design for an inlay for transport tray for spectacle lenses and spectacle lens blanks, as shown and described.

DESCRIPTION

FIG. 1 is a left side elevation view of the inlay of our new design;

FIG. 2 is a bottom plan view of said inlay of FIG. 1;

FIG. 3 is a front elevation view of said inlay of FIG. 1;

FIG. 4 is a top plan view of said inlay of FIG. 1;

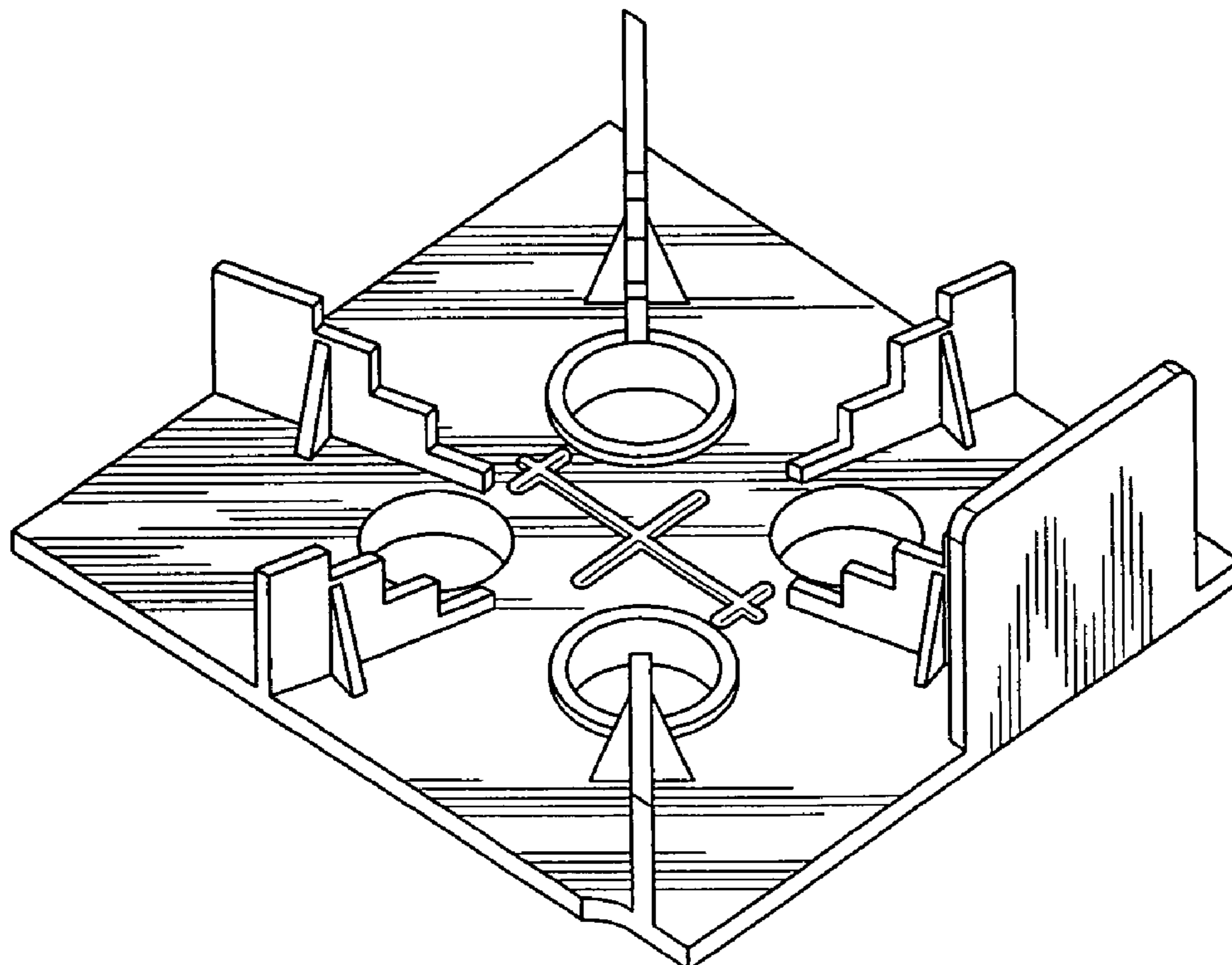
FIG. 5 is a rear side elevation view of said inlay of FIG. 1;

FIG. 6 is a right side elevation view of said inlay of FIG. 1;

and,

FIG. 7 is a perspective view of said inlay of FIG. 1.

1 Claim, 3 Drawing Sheets



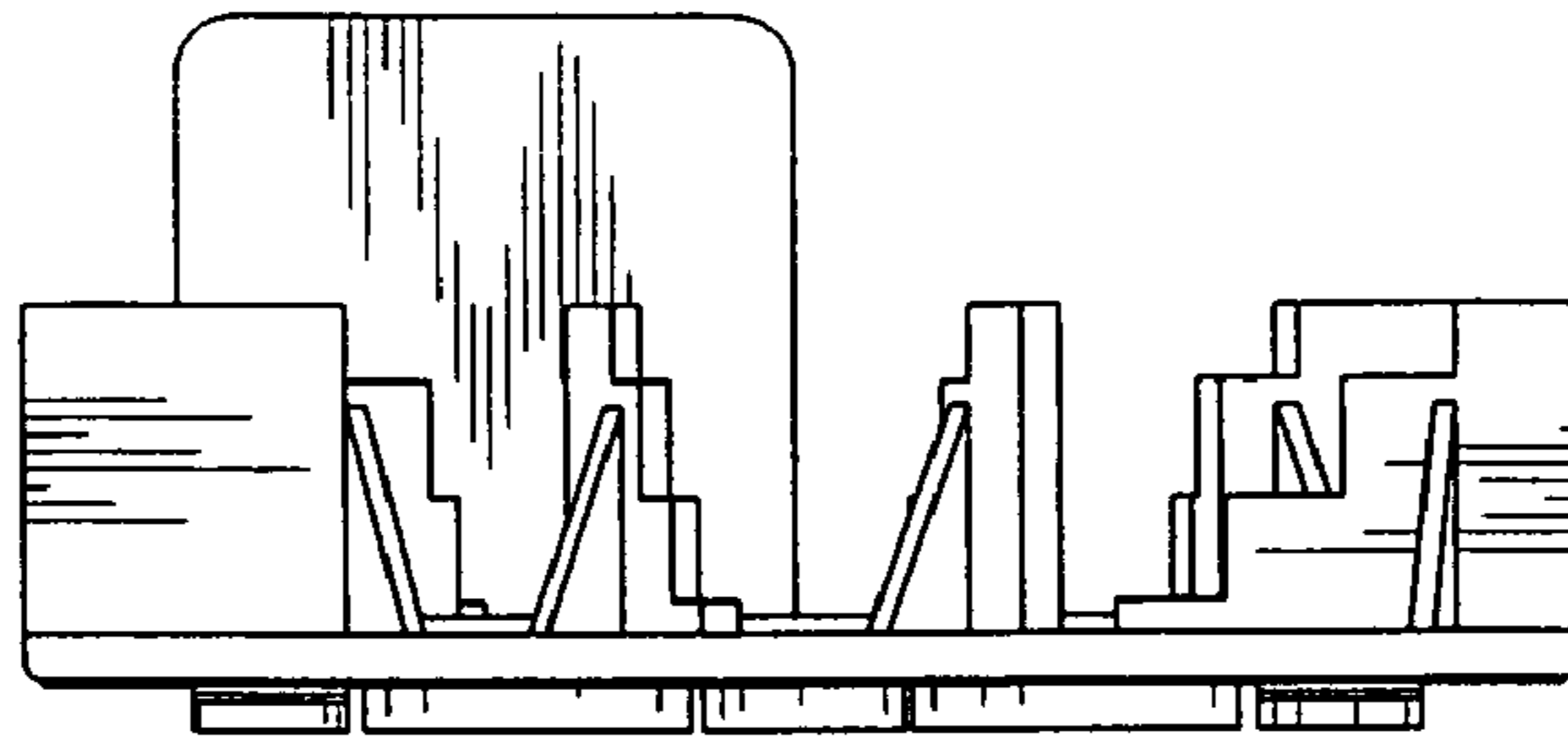


FIG. 1

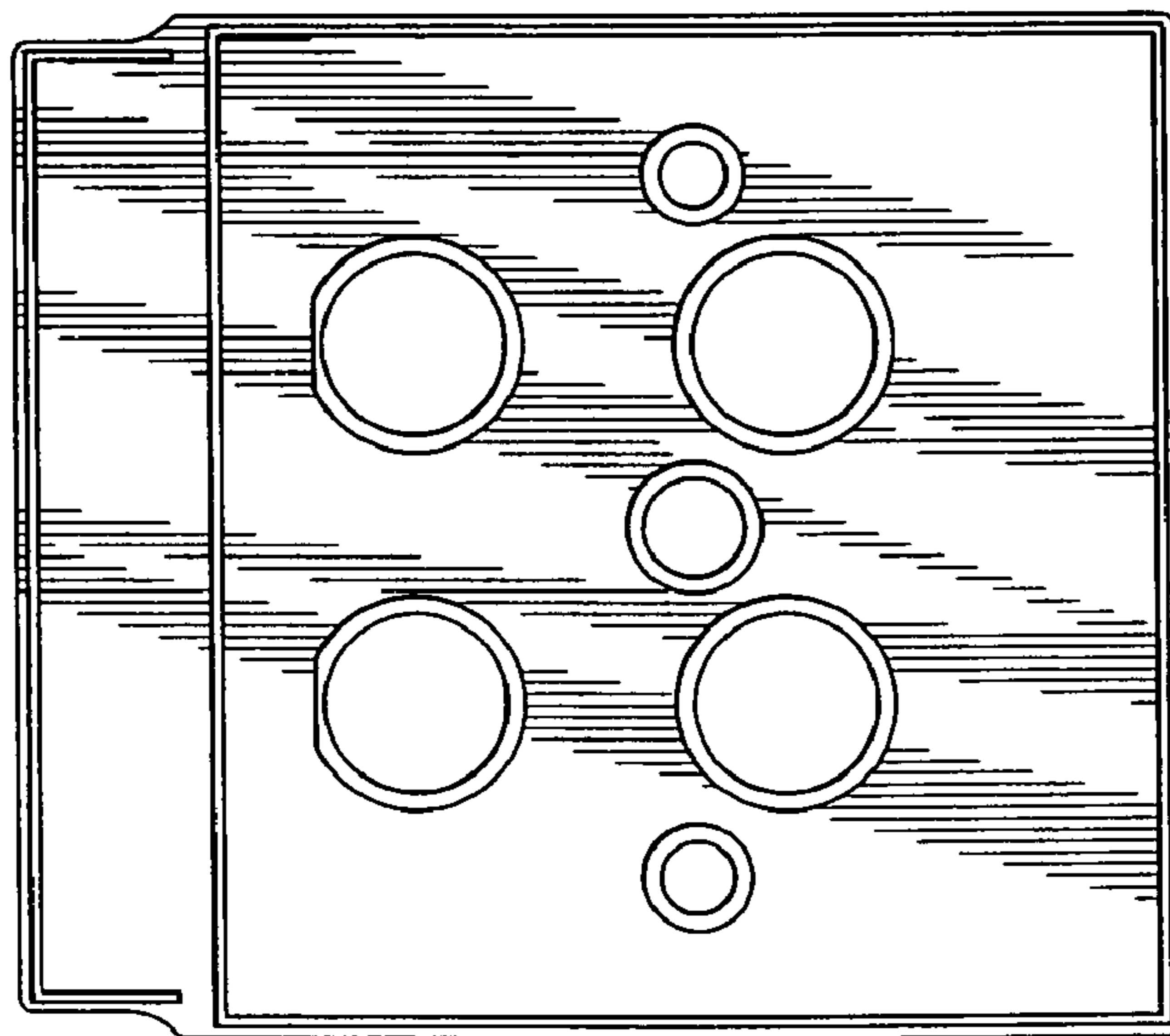


FIG. 2

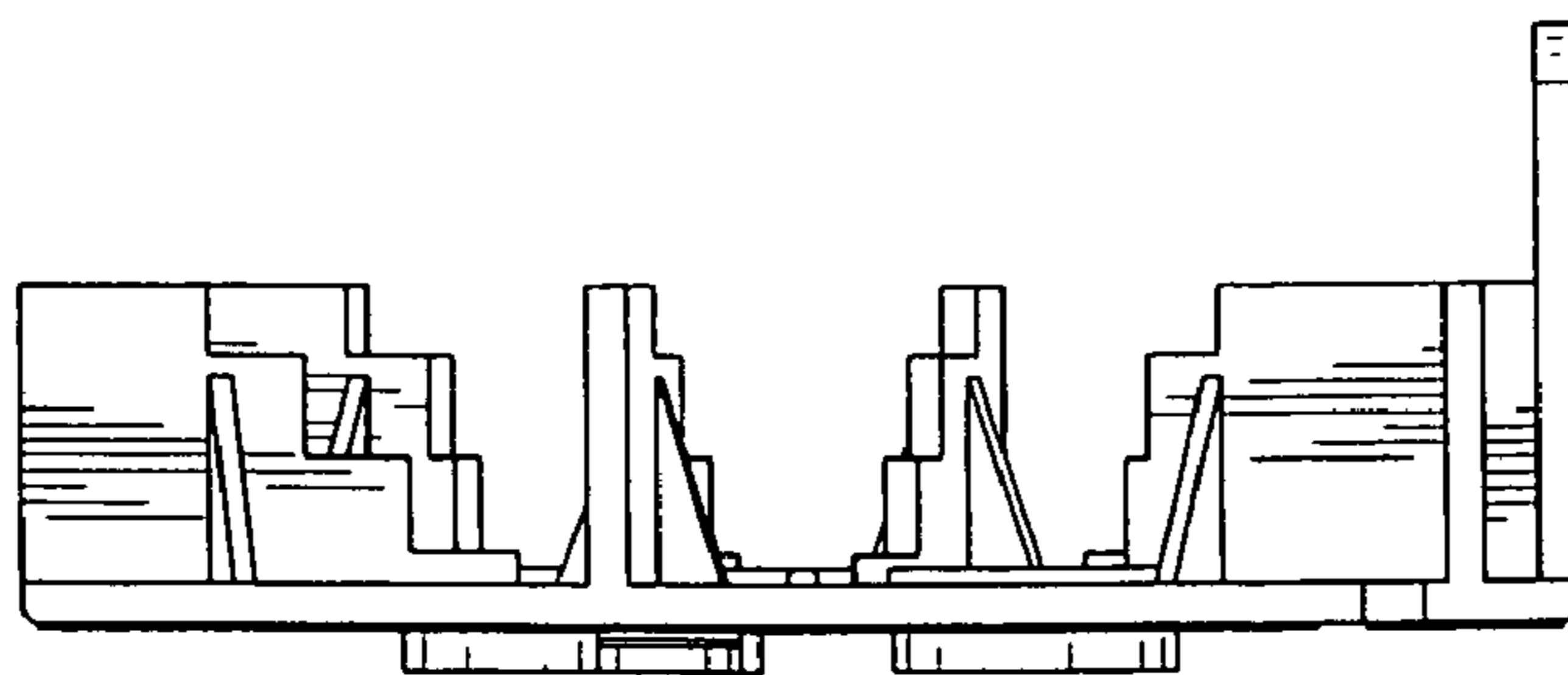


FIG. 3

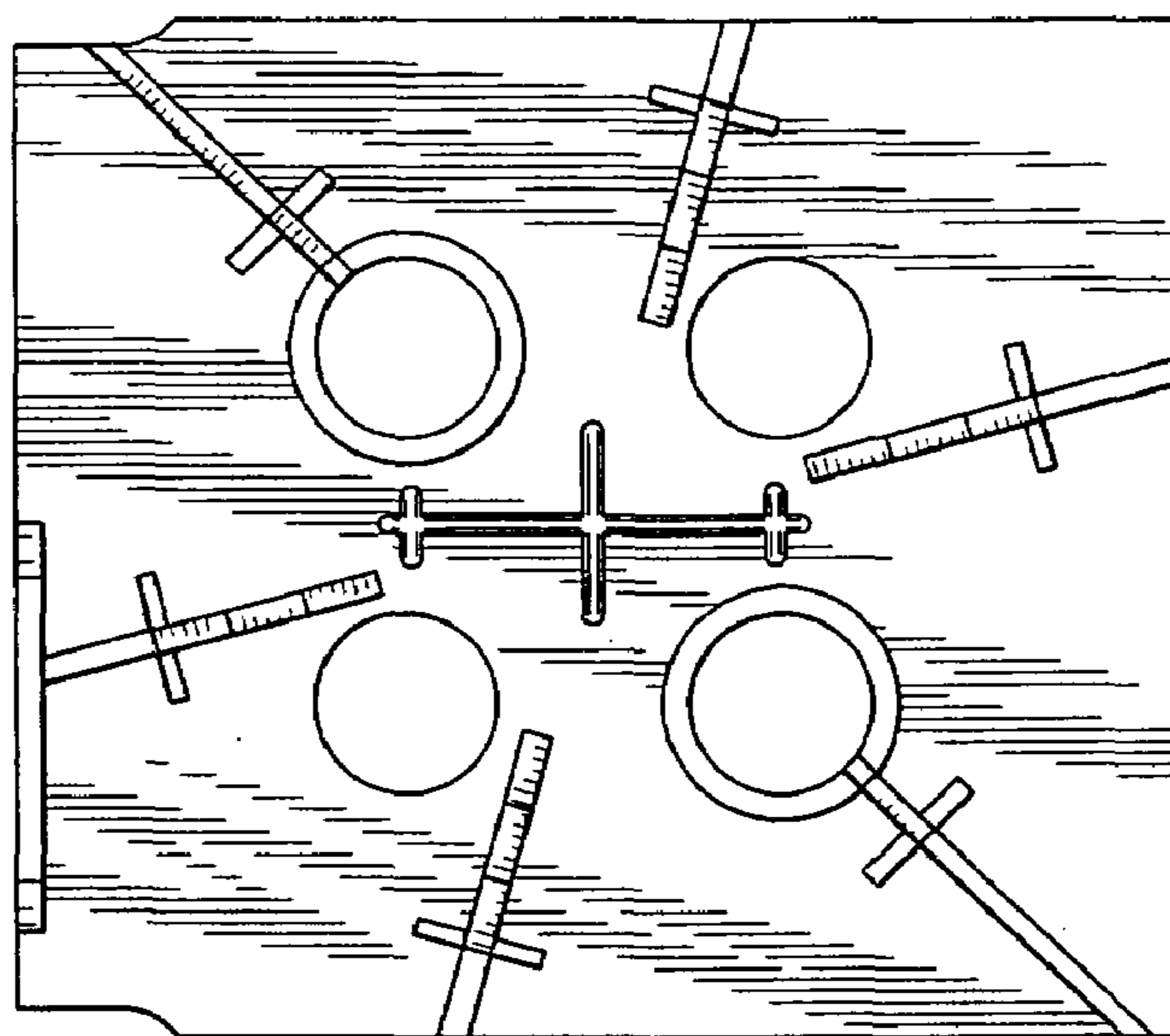


FIG. 4

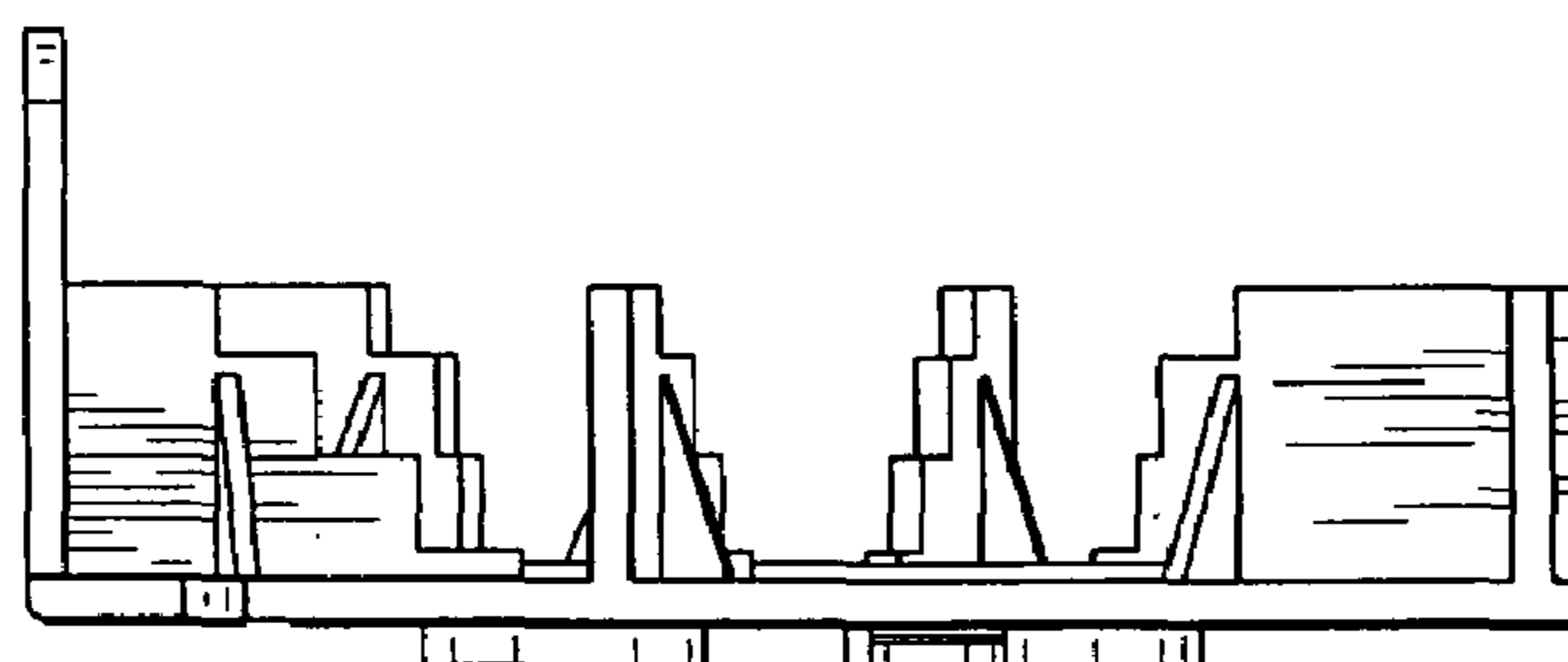


FIG. 5

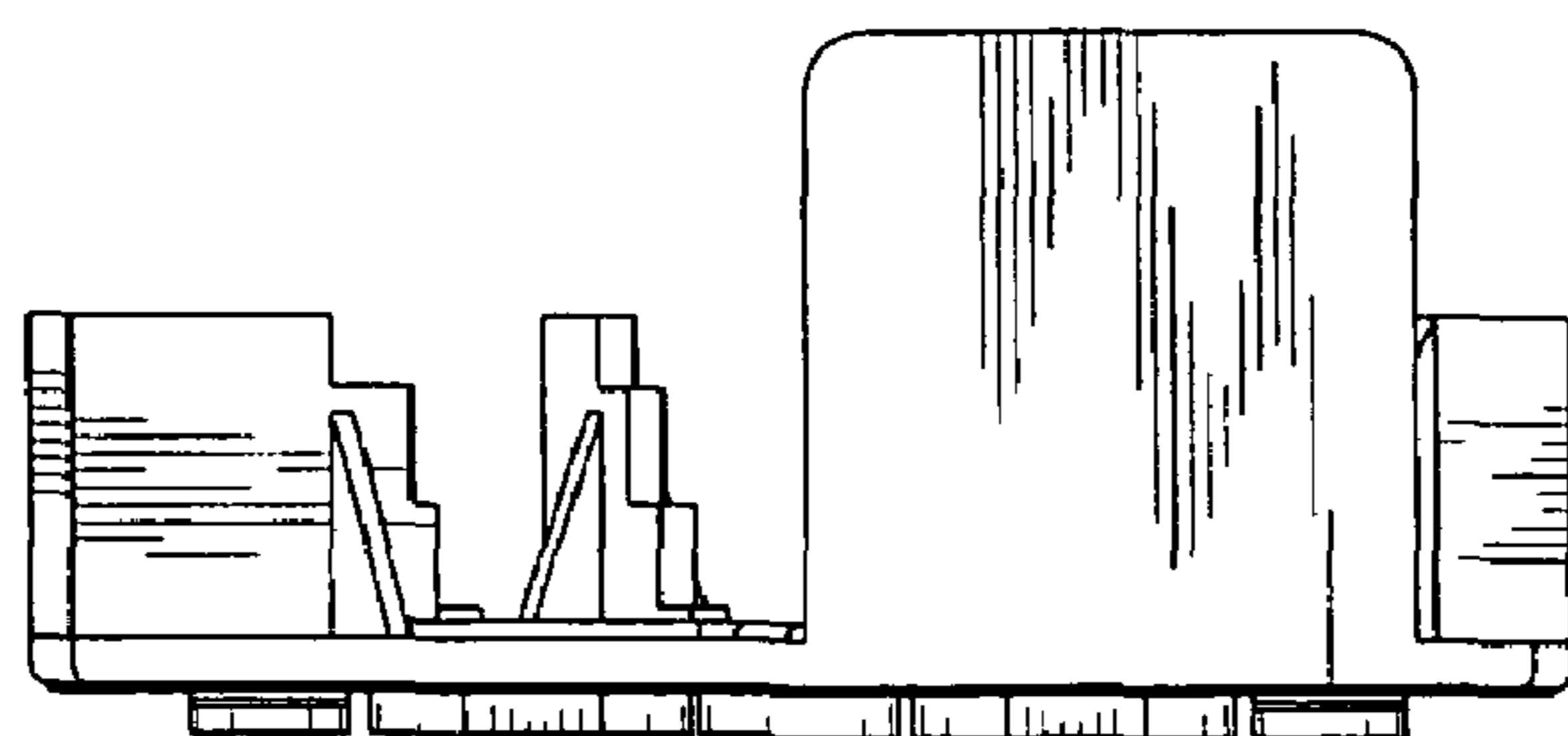


FIG. 6

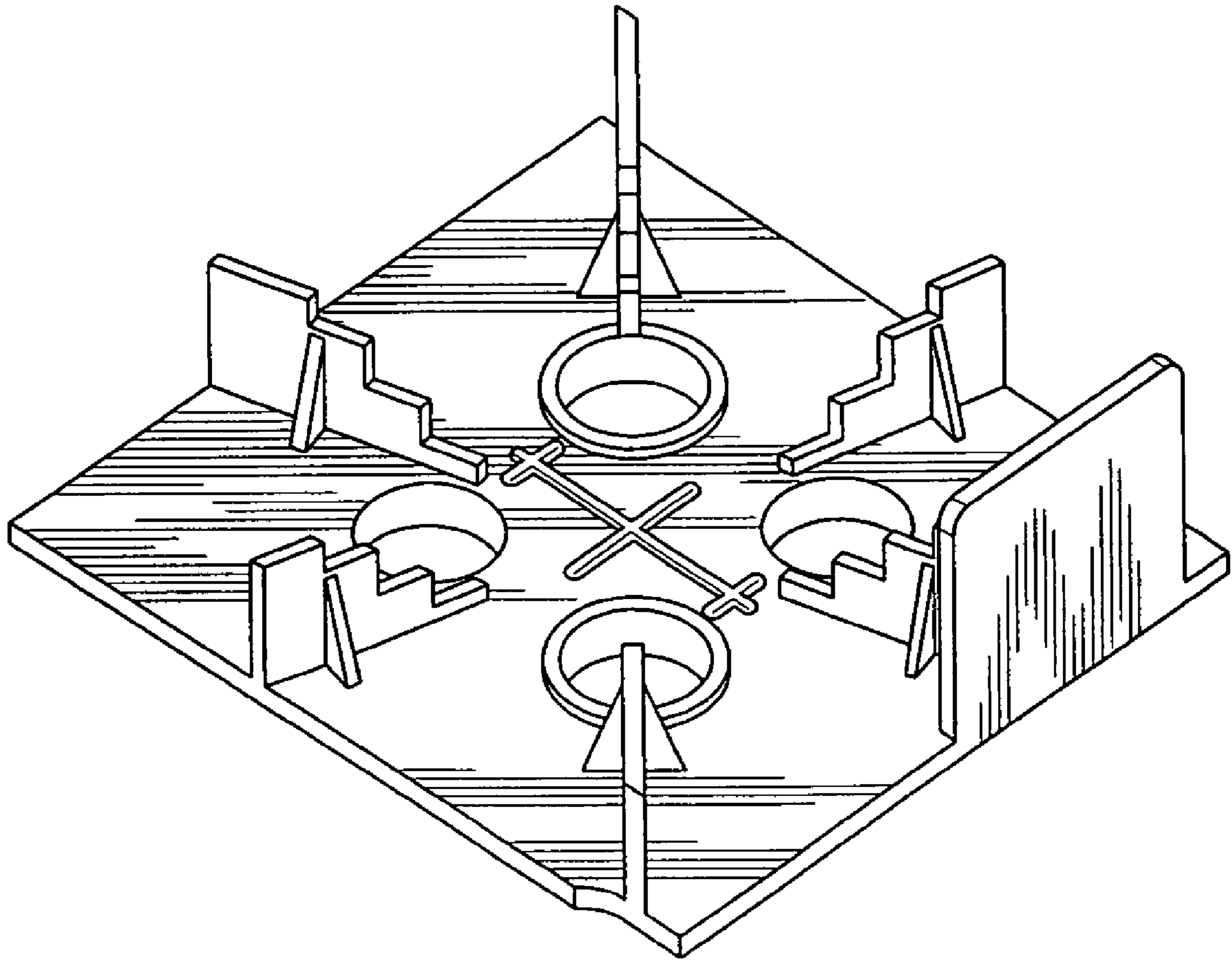


FIG. 7