



US00D612056S

(12) **United States Design Patent**  
**White, III**

(10) **Patent No.:** **US D612,056 S**  
(45) **Date of Patent:** **\*\* Mar. 16, 2010**

(54) **IMPLANT ABUTMENT**

(76) Inventor: **Allen Hardin White, III**, 1117 Ditchley Rd., Virginia Beach, VA (US) 23451

(\*\*) Term: **14 Years**

(21) Appl. No.: **29/333,030**

(22) Filed: **Mar. 2, 2009**

(51) **LOC (9) Cl.** ..... **24-03**

(52) **U.S. Cl.** ..... **D24/156**

(58) **Field of Classification Search** ..... D24/155,  
D24/156, 180, 176; 433/173, 176; 606/304,  
606/74, 72

See application file for complete search history.

(56) **References Cited**

**U.S. PATENT DOCUMENTS**

D317,200	S	*	5/1991	Jorneus	.....	D24/156
5,145,372	A	*	9/1992	Daftary et al.	.....	433/173
D353,674	S	*	12/1994	Jorneus	.....	D24/156
5,513,989	A	*	5/1996	Crisio	.....	433/176
D410,083	S	*	5/1999	Broberg et al.	.....	D24/156
6,068,479	A	*	5/2000	Kwan	.....	433/173
D428,653	S	*	7/2000	Bergstrom et al.	.....	D24/156
D467,343	S	*	12/2002	Whitehead	.....	D24/156
D486,912	S	*	2/2004	Schulter et al.	.....	D24/156
D486,914	S	*	2/2004	Schulter et al.	.....	D24/156
D487,150	S	*	2/2004	Schulter et al.	.....	D24/156
D487,152	S	*	2/2004	Schulter et al.	.....	D24/156
D487,153	S	*	2/2004	Schulter et al.	.....	D24/156

D493,535	S	*	7/2004	Whitehead	.....	D24/156
D493,890	S	*	8/2004	Schulter et al.	.....	D24/156
D531,312	S	*	10/2006	Grimsgard	.....	D24/156
D587,371	S	*	2/2009	Purga et al.	.....	D24/156
D587,373	S	*	2/2009	Purga et al.	.....	D24/156

\* cited by examiner

*Primary Examiner*—Charles A Rademaker

(74) *Attorney, Agent, or Firm*—Troutman Sanders LLP; Ryan A. Schneider

(57) **CLAIM**

The ornamental design for an implant abutment, as shown and described.

**DESCRIPTION**

FIG. 1 is a top perspective view of an implant abutment showing my new design;

FIG. 2 is a bottom perspective view of the implant abutment of FIG. 1;

FIG. 3 is a side view of the implant abutment of FIG. 1;

FIG. 4 is a front view of the implant abutment of FIG. 1;

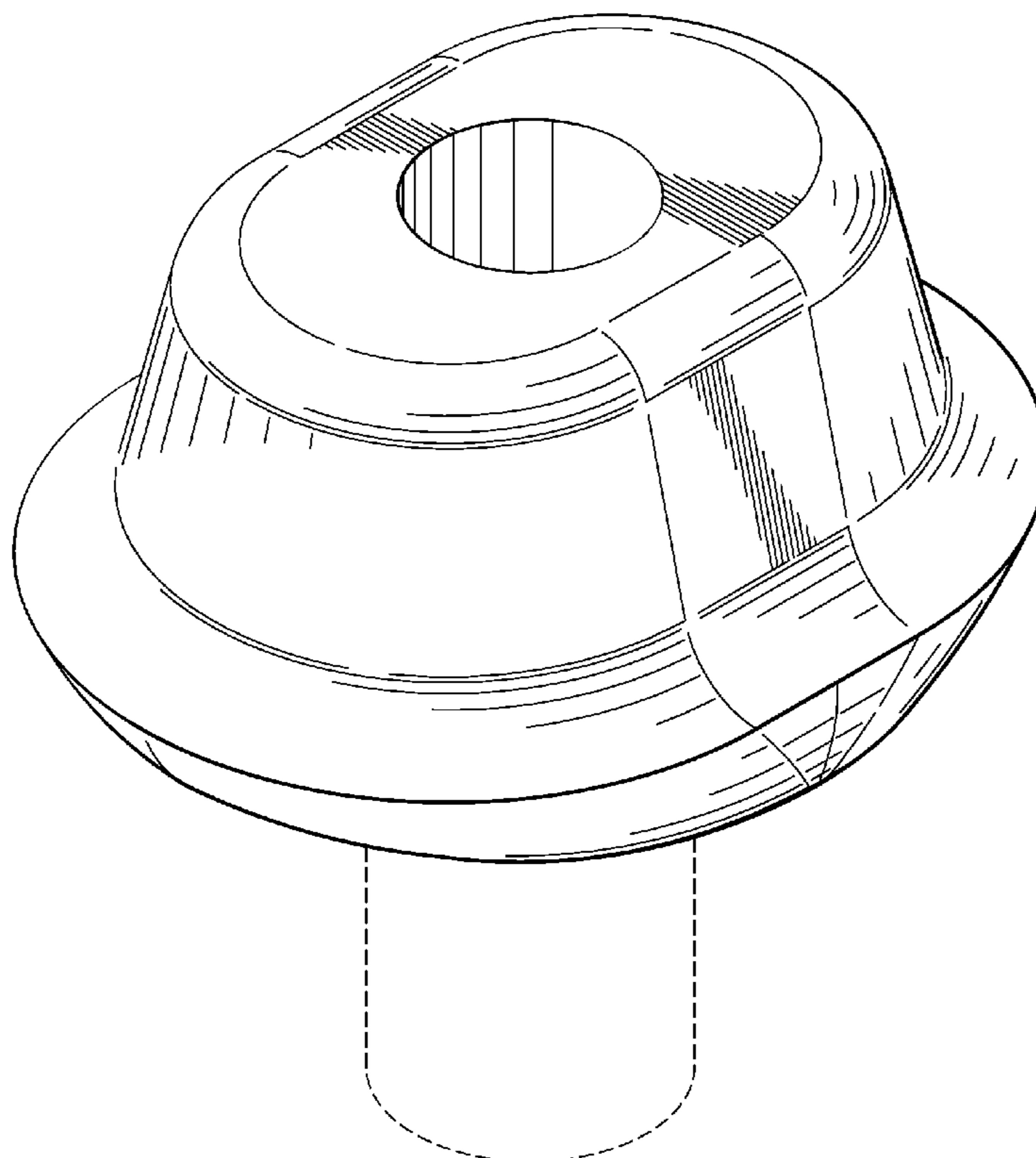
FIG. 5 is a back view of the implant abutment of FIG. 1;

FIG. 6 is a top view of the implant abutment of FIG. 1; and,

FIG. 7 is a bottom view of the implant abutment of FIG. 1.

The broken lines are for the purpose of illustrating environment and form no part of the claimed design.

**1 Claim, 7 Drawing Sheets**



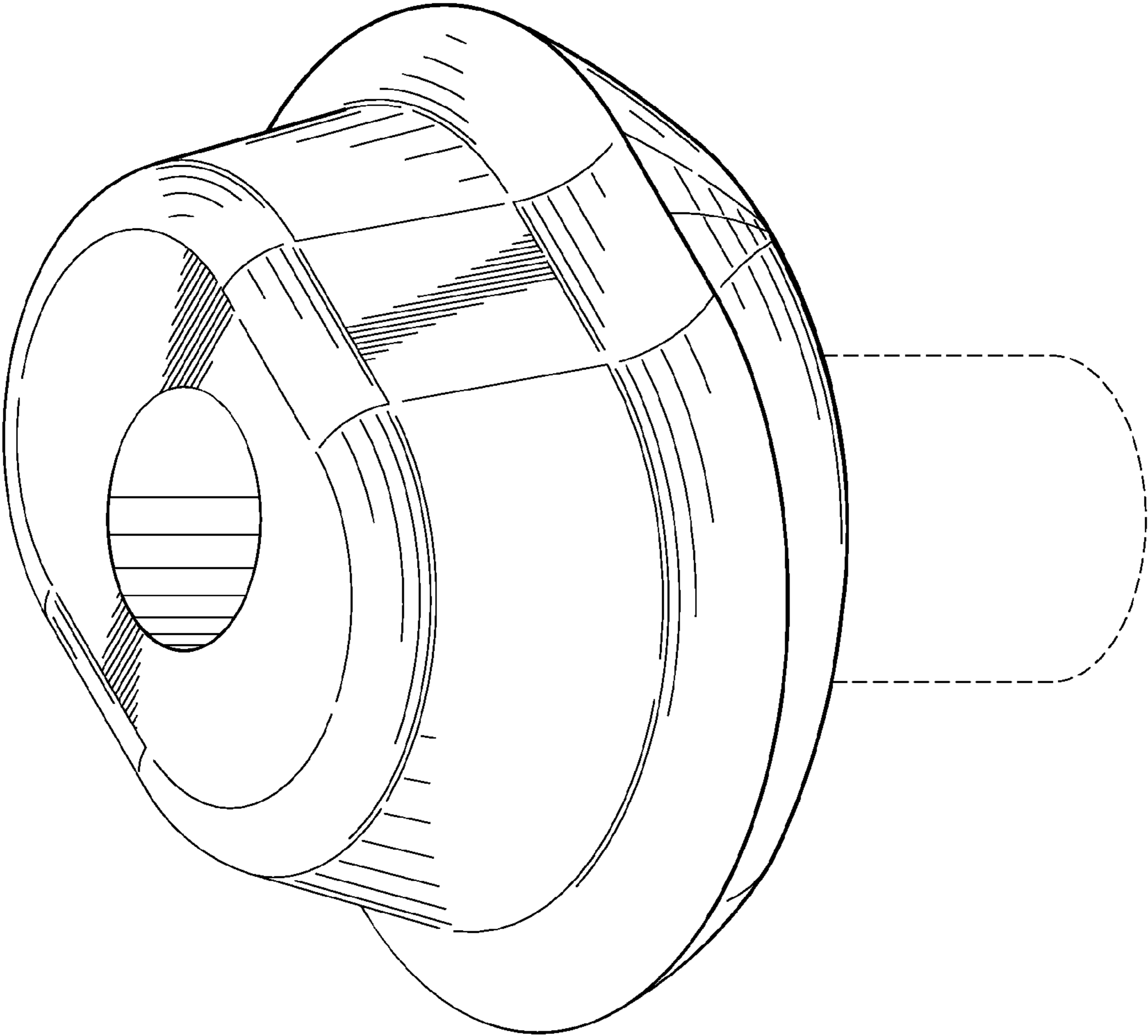


FIG. 1

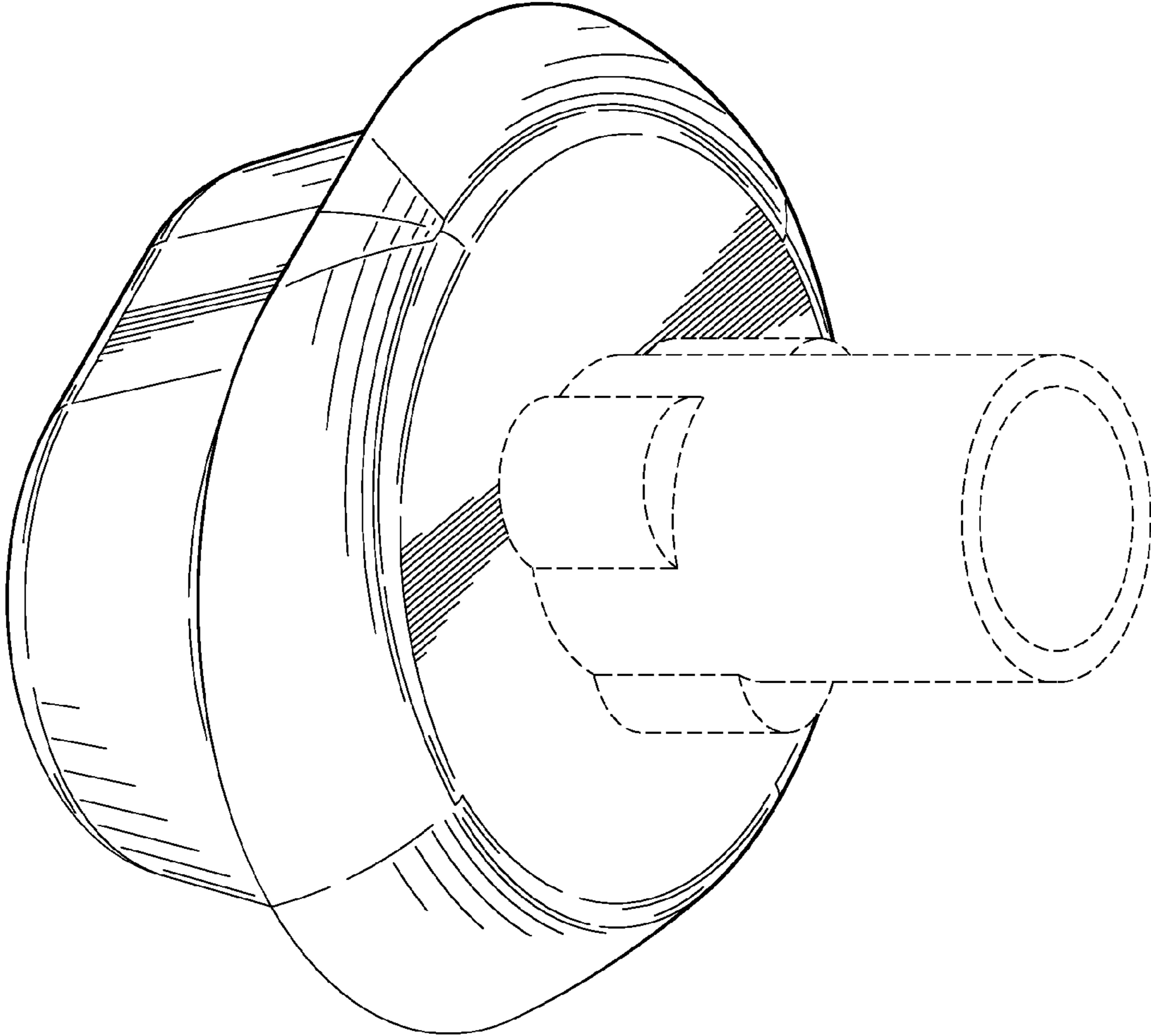


FIG. 2

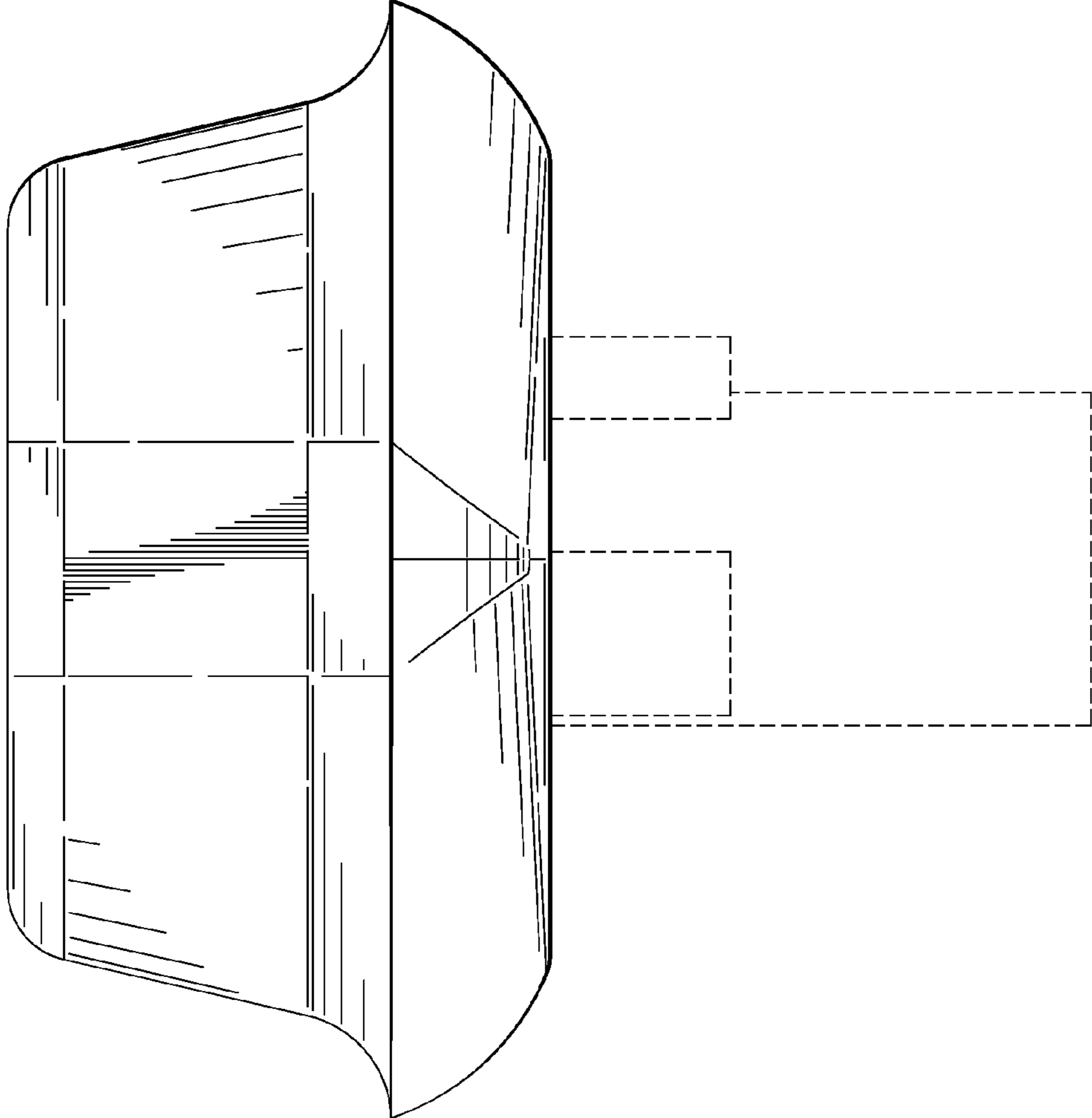


FIG. 3

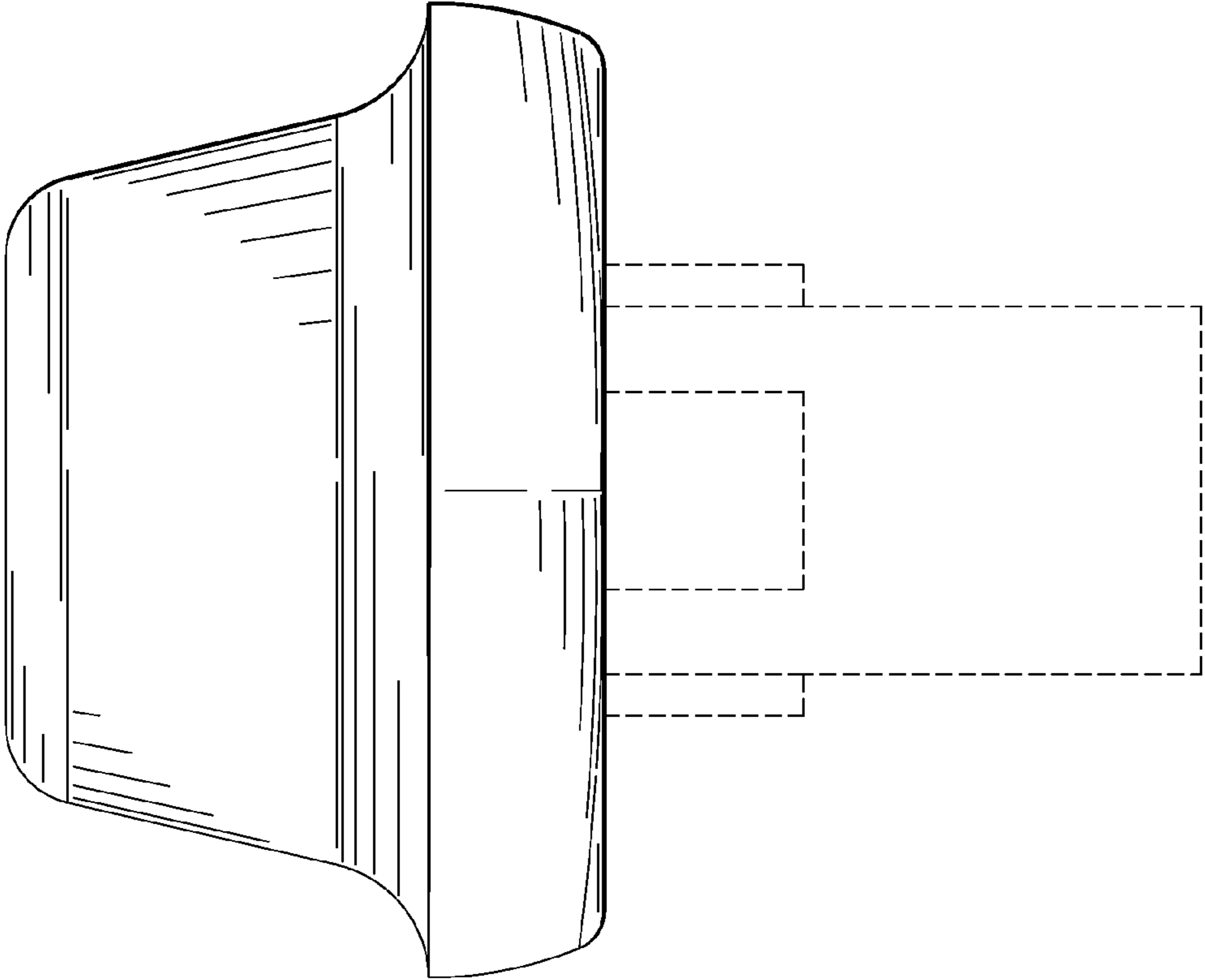


FIG. 4

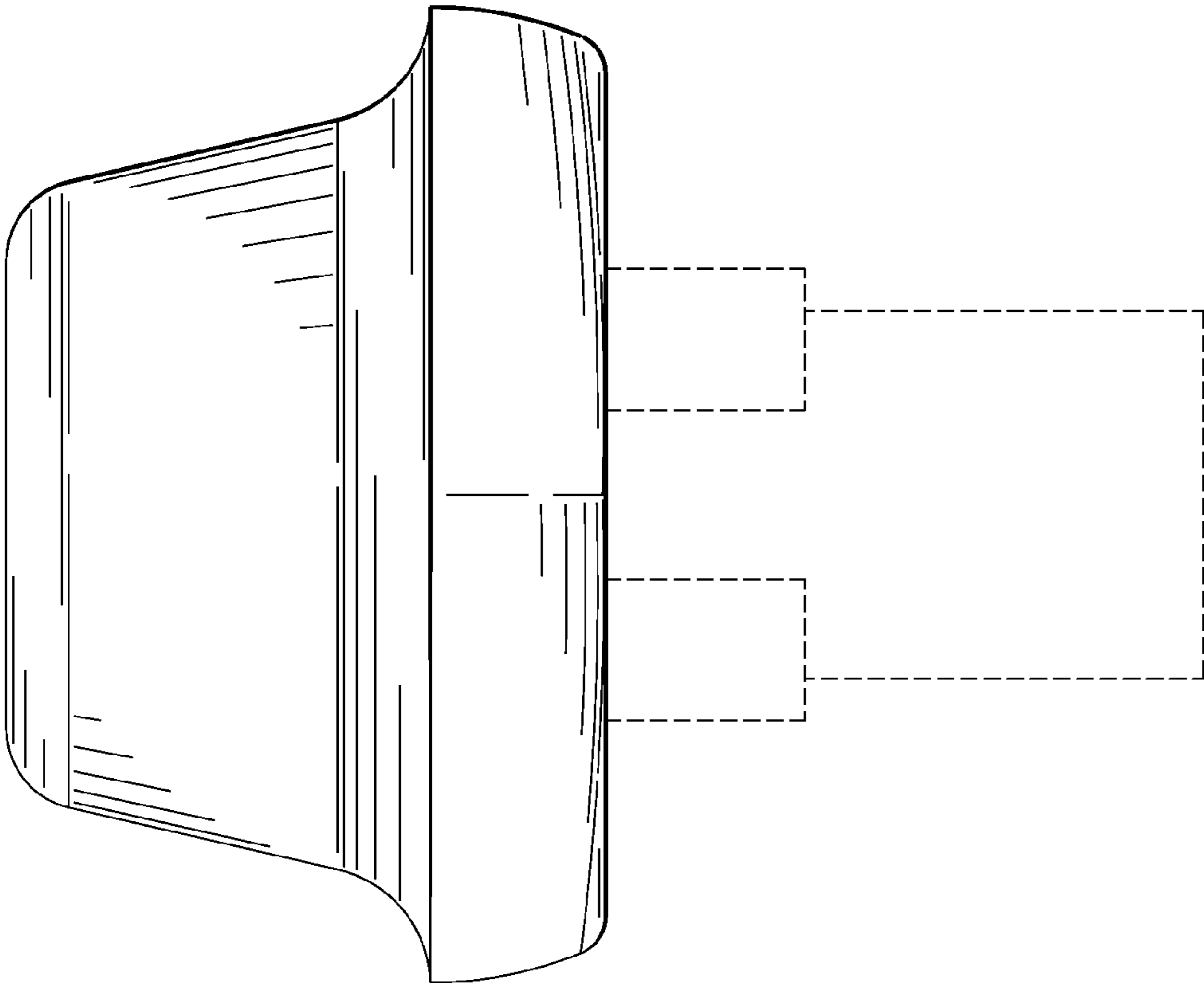


FIG. 5

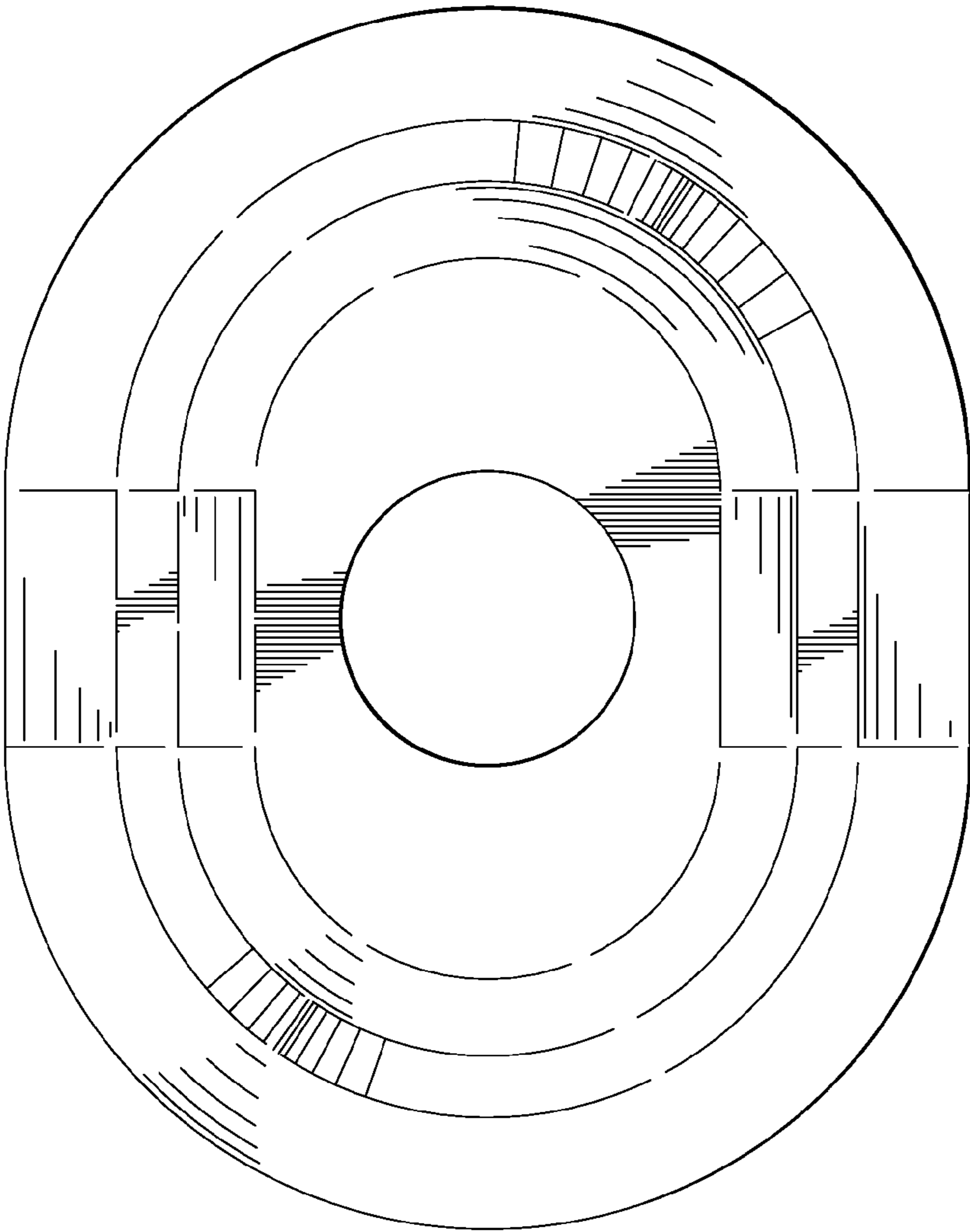


FIG. 6



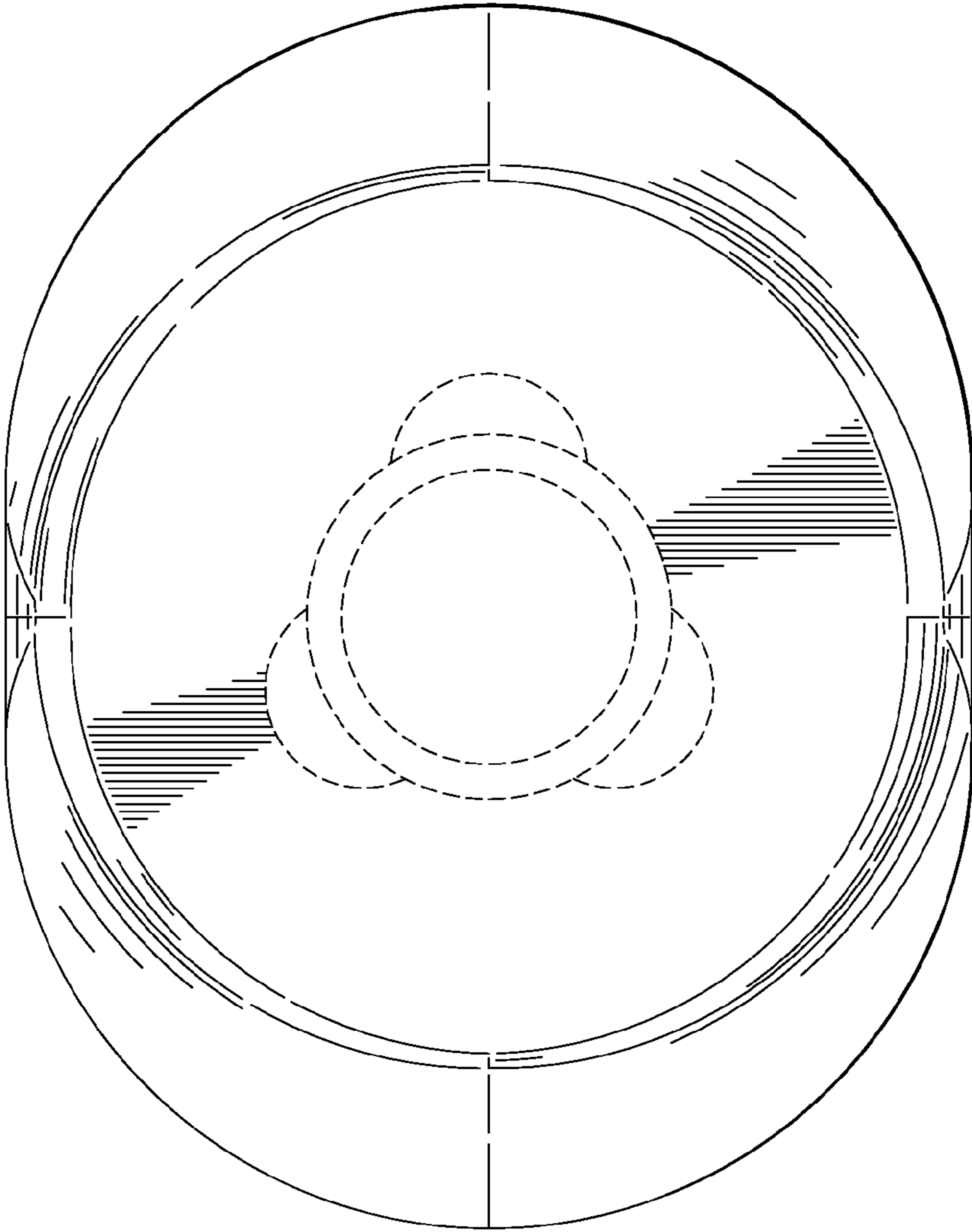


FIG. 7