



US00D612052S

(12) **United States Design Patent**
McCollam et al.

(10) **Patent No.:** **US D612,052 S**
(45) **Date of Patent:** **** Mar. 16, 2010**

(54) **HANDLE FOR OPHTHALMIC SURGICAL INSTRUMENT**

(75) Inventors: **Christopher L. McCollam**, Irvine, CA (US); **Jack R. Auld**, Laguna Niguel, CA (US); **Steven T. Charles**, Memphis, TN (US); **Jason Safabash**, Aliso Viejo, CA (US)

(73) Assignee: **Alcon Research, Ltd.**, Fort Worth, TX (US)

(**) Term: **14 Years**

(21) Appl. No.: **29/334,671**

(22) Filed: **Mar. 31, 2009**

(51) **LOC (9) Cl.** **24-02**

(52) **U.S. Cl.** **D24/150; D24/147; D24/133**

(58) **Field of Classification Search** **D24/133, D24/146, 147, 150, 152, 157; 606/4, 166, 606/190, 167, 148; 623/905-907**

See application file for complete search history.

(56) **References Cited**

U.S. PATENT DOCUMENTS

4,515,157	A	5/1985	Fedorov et al.	
4,660,546	A *	4/1987	Herrick et al.	128/898
4,671,273	A *	6/1987	Lindsey	606/16
D298,856	S *	12/1988	Feldon et al.	D24/150
4,880,017	A	11/1989	Soll et al.	
5,006,123	A	4/1991	Soll et al.	
D328,644	S *	8/1992	Pericic	D24/150
5,571,124	A	11/1996	Zelman	
D381,079	S *	7/1997	Koepnick	D24/146
D382,342	S *	8/1997	Rosen	D24/142
D430,298	S *	8/2000	Holms	D24/152
6,171,324	B1	1/2001	Cote et al.	
D441,447	S *	5/2001	Hjertman et al.	D24/150
6,251,118	B1	6/2001	Proudfoot et al.	
D457,630	S *	5/2002	Lehtonen	D24/147
D460,185	S *	7/2002	Etter et al.	D24/147
D463,555	S *	9/2002	Etter et al.	D24/147
6,447,528	B2	9/2002	Paraschac	

D489,132	S *	4/2004	Inami	D24/150
D502,542	S *	3/2005	Cohn et al.	D24/147
D504,513	S *	4/2005	Morawski et al.	D24/147
7,055,248	B2 *	6/2006	Cote	30/337
D530,422	S *	10/2006	Morris	D24/150
7,278,999	B2 *	10/2007	Danchin et al.	606/166
D558,348	S *	12/2007	Anitua Aldecoa	D24/152

(Continued)

FOREIGN PATENT DOCUMENTS

EP 0990431 B1 11/2004

(Continued)

OTHER PUBLICATIONS

Rolf, D E; "Muscle Hook", Clinical Notes, Archives of Ophthalmology; 43:3; p. 554; Mar. 1950.

Primary Examiner—Ian Simmons
Assistant Examiner—Mark A Goodwin
(74) *Attorney, Agent, or Firm*—W. David Lee

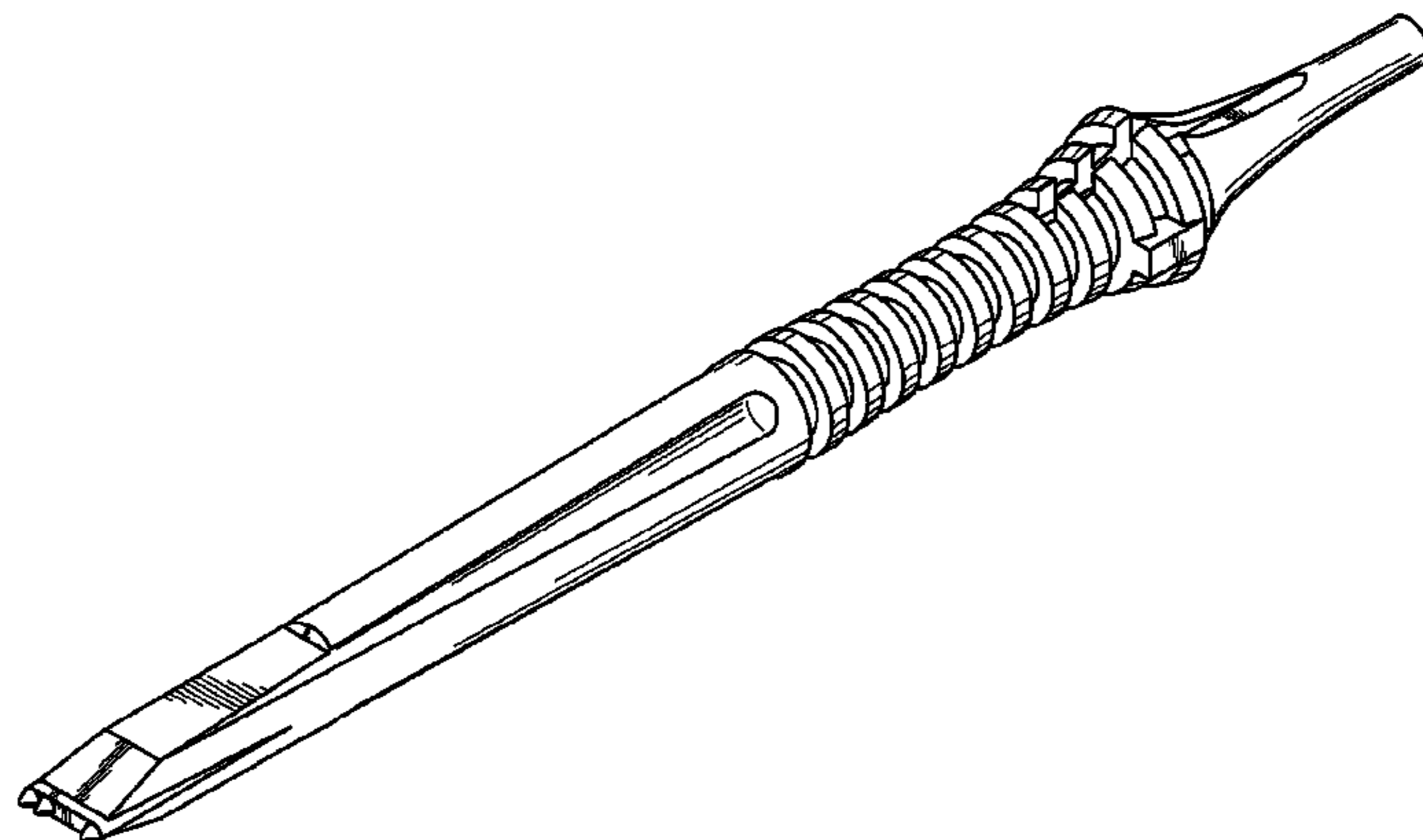
(57) **CLAIM**

The ornamental design for a handle for an ophthalmic surgical instrument, as shown and described.

DESCRIPTION

FIG. 1 is a top, front perspective view of a handle for an ophthalmic surgical instrument showing our new design;
FIG. 2 is a front view thereof;
FIG. 3 is a rear view thereof;
FIG. 4 is a top view thereof;
FIG. 5 is a bottom view thereof;
FIG. 6 is an enlarged left side view thereof; and,
FIG. 7 is an enlarged right side view thereof.

1 Claim, 4 Drawing Sheets



US D612,052 S

Page 2

U.S. PATENT DOCUMENTS

D571,010 S * 6/2008 Cote D24/147
D589,614 S * 3/2009 Cook D24/146
D590,062 S * 4/2009 Wu D24/147
D597,670 S * 8/2009 Maissami D24/152
2001/0034535 A1* 10/2001 Schultz 606/190
2005/0203554 A1 9/2005 Dykes
2005/0245948 A1 11/2005 Khalaj

2007/0038234 A1 2/2007 Yaldo
2007/0038276 A1 2/2007 Yaldo
2007/0239183 A1 10/2007 Melki

FOREIGN PATENT DOCUMENTS

WO 9606584 A1 3/1996

* cited by examiner

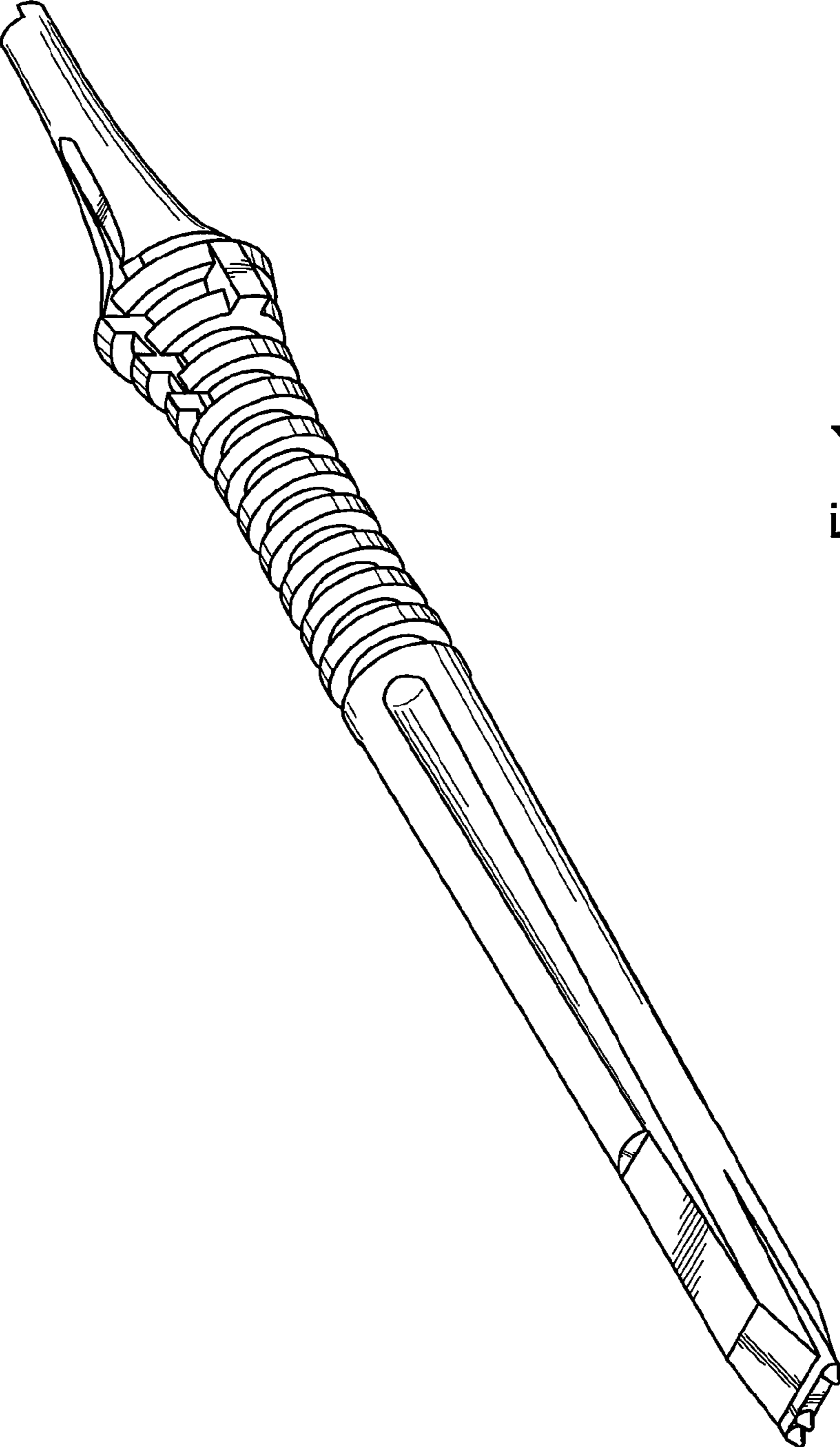


Fig. 1

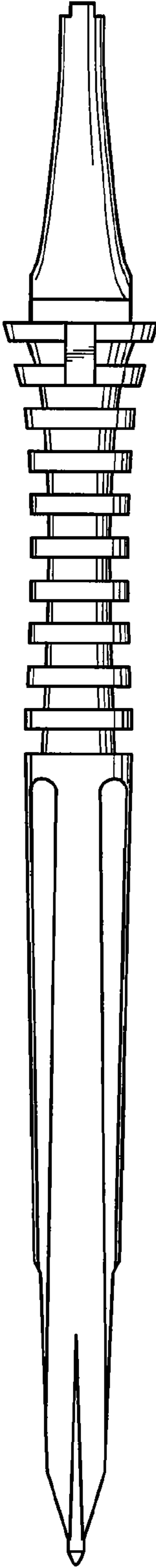


Fig. 2

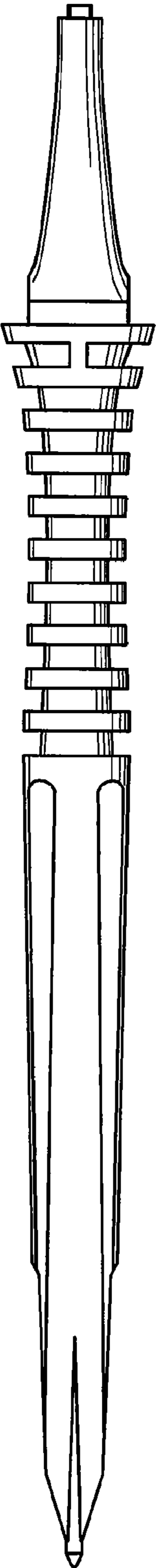


Fig. 3

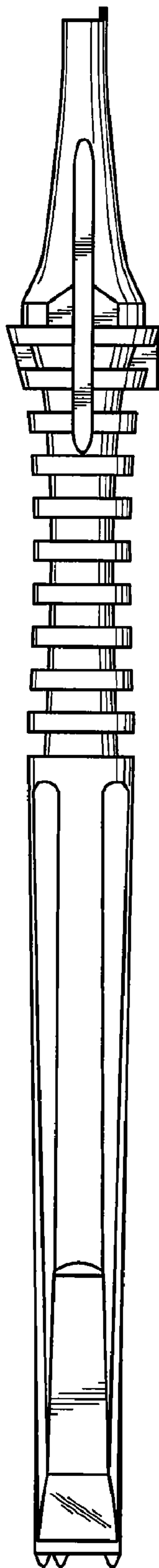


Fig. 4

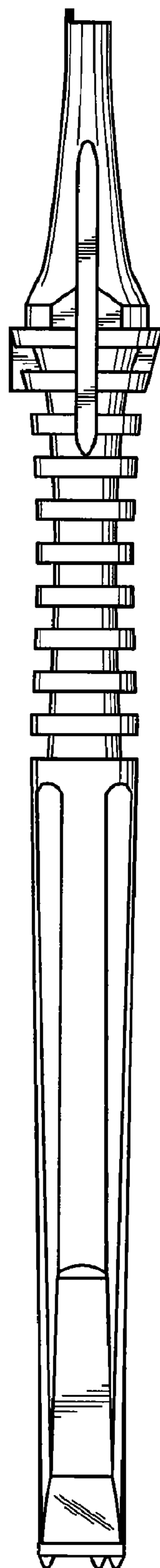


Fig. 5

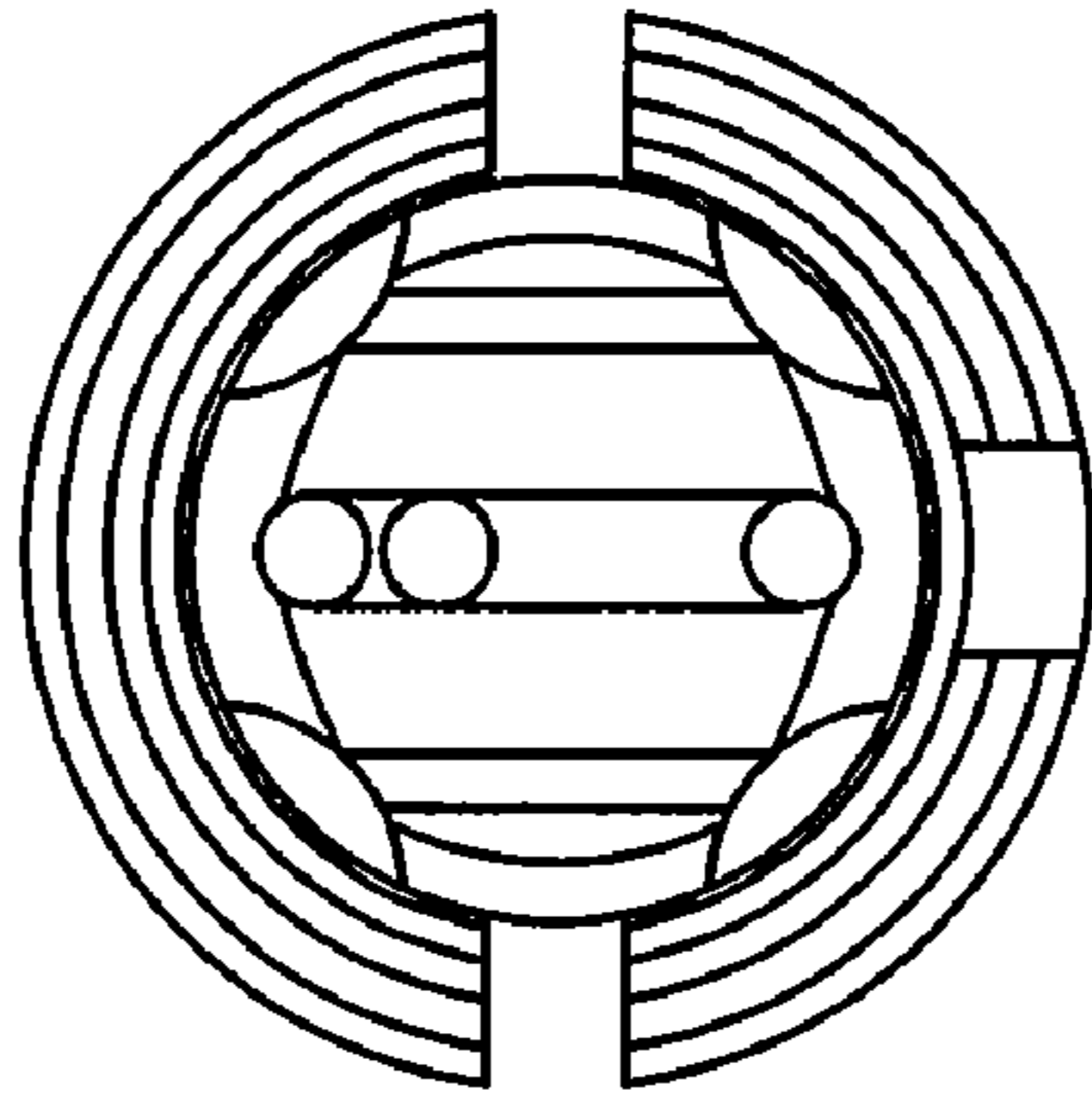


Fig. 6

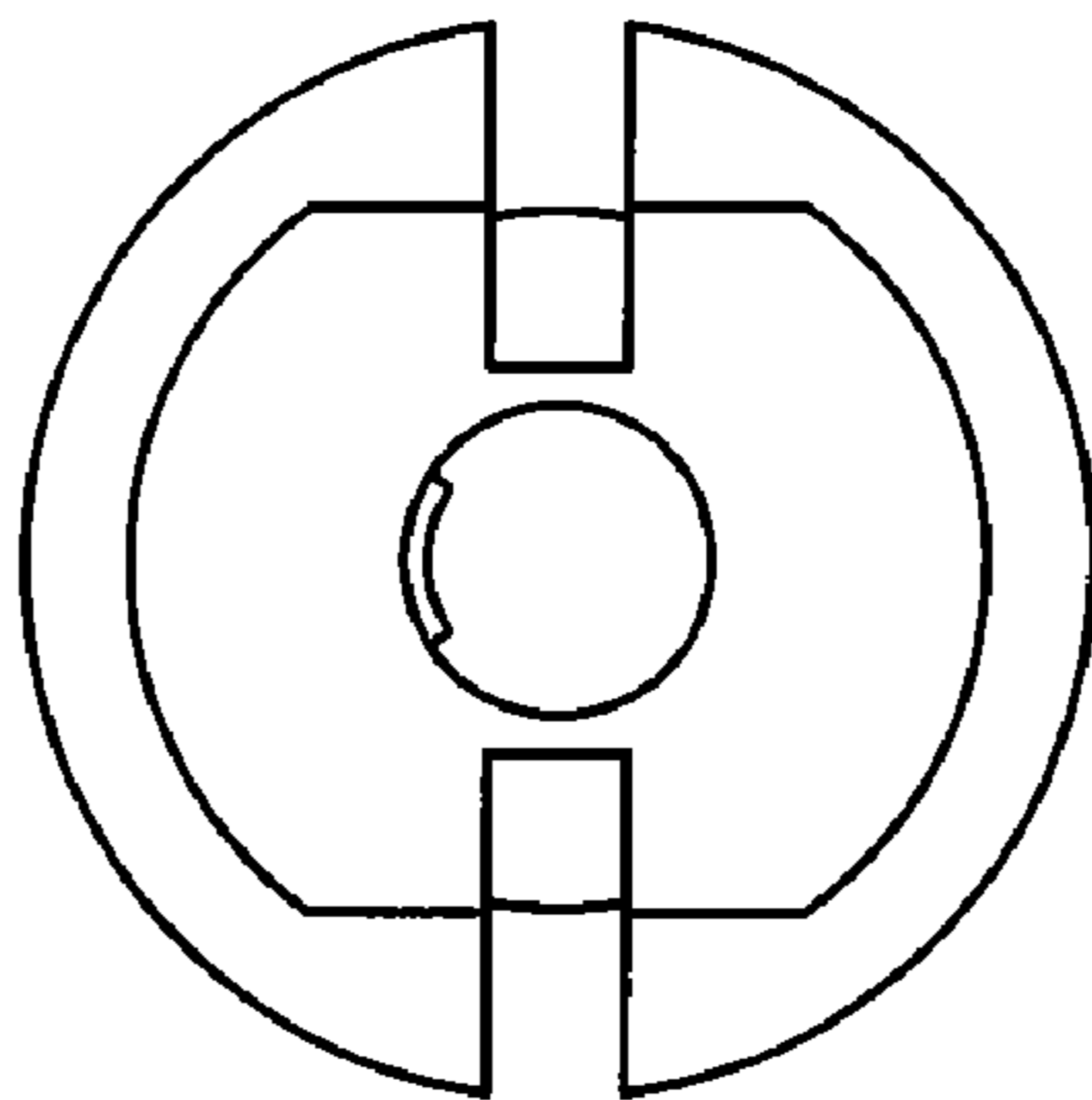


Fig. 7