



US00D612047S

(12) **United States Design Patent**  
**Nagele et al.**

(10) **Patent No.:** **US D612,047 S**  
(45) **Date of Patent:** **\*\* Mar. 16, 2010**

(54) **MEDICAL INSTRUMENT**

(75) Inventors: **Udo Nagele**, Woergl (AT); **Peter Eisenkolb**, Tuttlingen (DE); **Uwe Renger**, Hilzingen (DE)

(73) Assignee: **Karl Storz GmbH & Co. KG** (DE)

(\*\*) Term: **14 Years**

(21) Appl. No.: **29/295,766**

(22) Filed: **Oct. 5, 2007**

(30) **Foreign Application Priority Data**

Apr. 5, 2007 (EM) ..... 000702956

(51) **LOC (9) Cl.** ..... **24-02**

(52) **U.S. Cl.** ..... **D24/138**

(58) **Field of Classification Search** ..... D24/133, D24/135, 176, 152, 156, 140, 141, 143, 137, D24/138; 600/206, 214, 164, 157, 156, 200, 600/113, 135, 138, 121, 131, 153; 606/191, 606/196, 197, 198

See application file for complete search history.

(56) **References Cited**

**U.S. PATENT DOCUMENTS**

5,167,220 A \* 12/1992 Brown ..... 600/157  
D358,886 S \* 5/1995 Balazs ..... D24/138

6,201,649 B1 \* 3/2001 Rudischhauser et al. .... 359/808  
D459,475 S \* 6/2002 Topala ..... D24/138  
D533,941 S \* 12/2006 Furst et al. .... D24/138  
D534,276 S \* 12/2006 Michel ..... D24/138  
D583,470 S \* 12/2008 Kupferschmid ..... D24/138  
2002/0156348 A1 \* 10/2002 Schoellhorn et al. .... 600/164  
2005/0085695 A1 \* 4/2005 Shener et al. .... 600/156

\* cited by examiner

*Primary Examiner*—Charles A Rademaker

*Assistant Examiner*—Charles D Hanson

(74) *Attorney, Agent, or Firm*—St. Onge Steward Johnston & Reens LLC

(57) **CLAIM**

The ornamental design for medical instrument, as shown and described.

**DESCRIPTION**

FIG. 1 is a front perspective view of a medical instrument in accordance with the new design;

FIG. 2 is a left and right side view thereof;

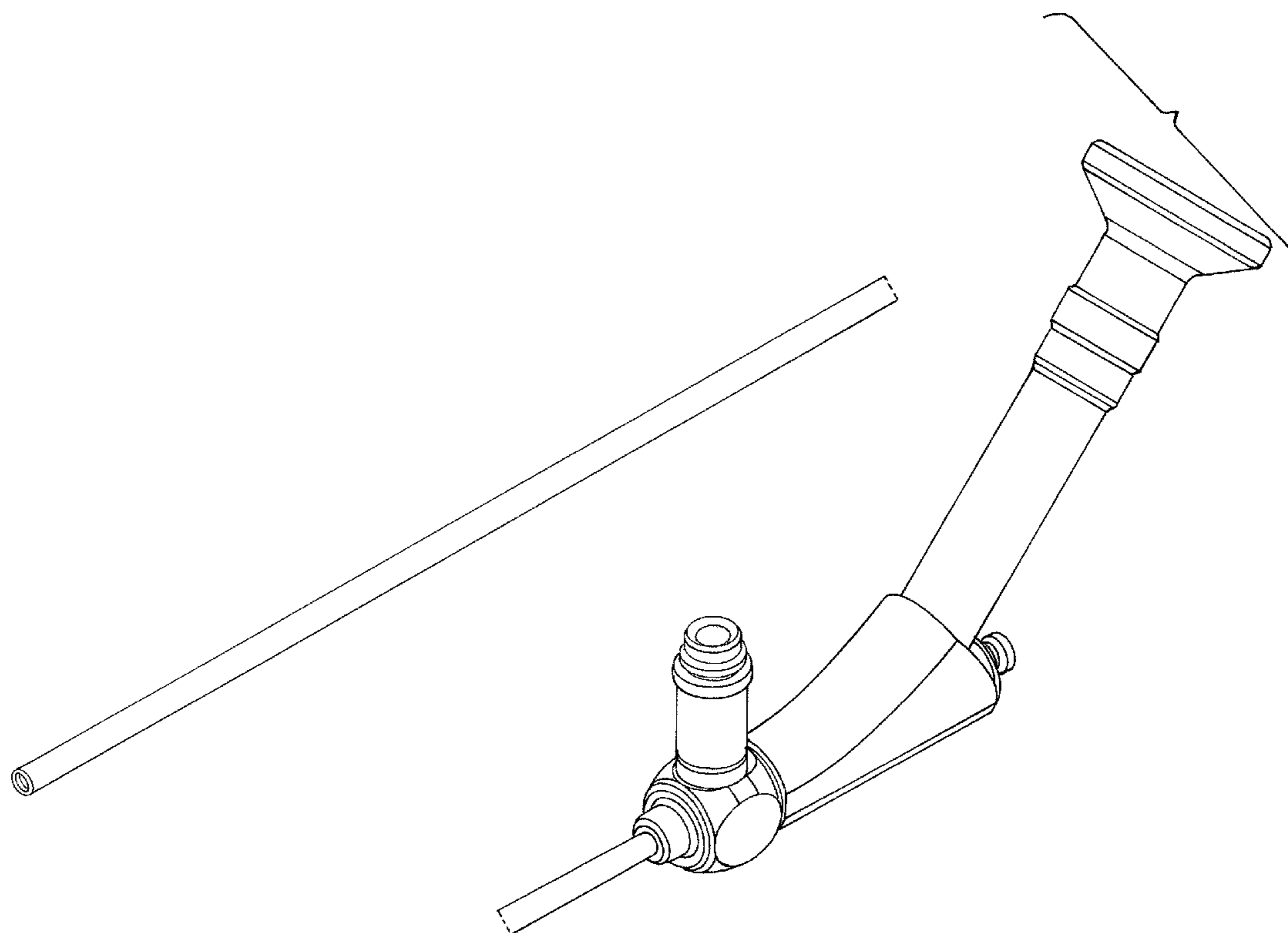
FIG. 3 is a top view thereof;

FIG. 4 is a bottom view thereof;

FIG. 5 is a front view thereof; and,

FIG. 6 is a rear view thereof.

**1 Claim, 6 Drawing Sheets**



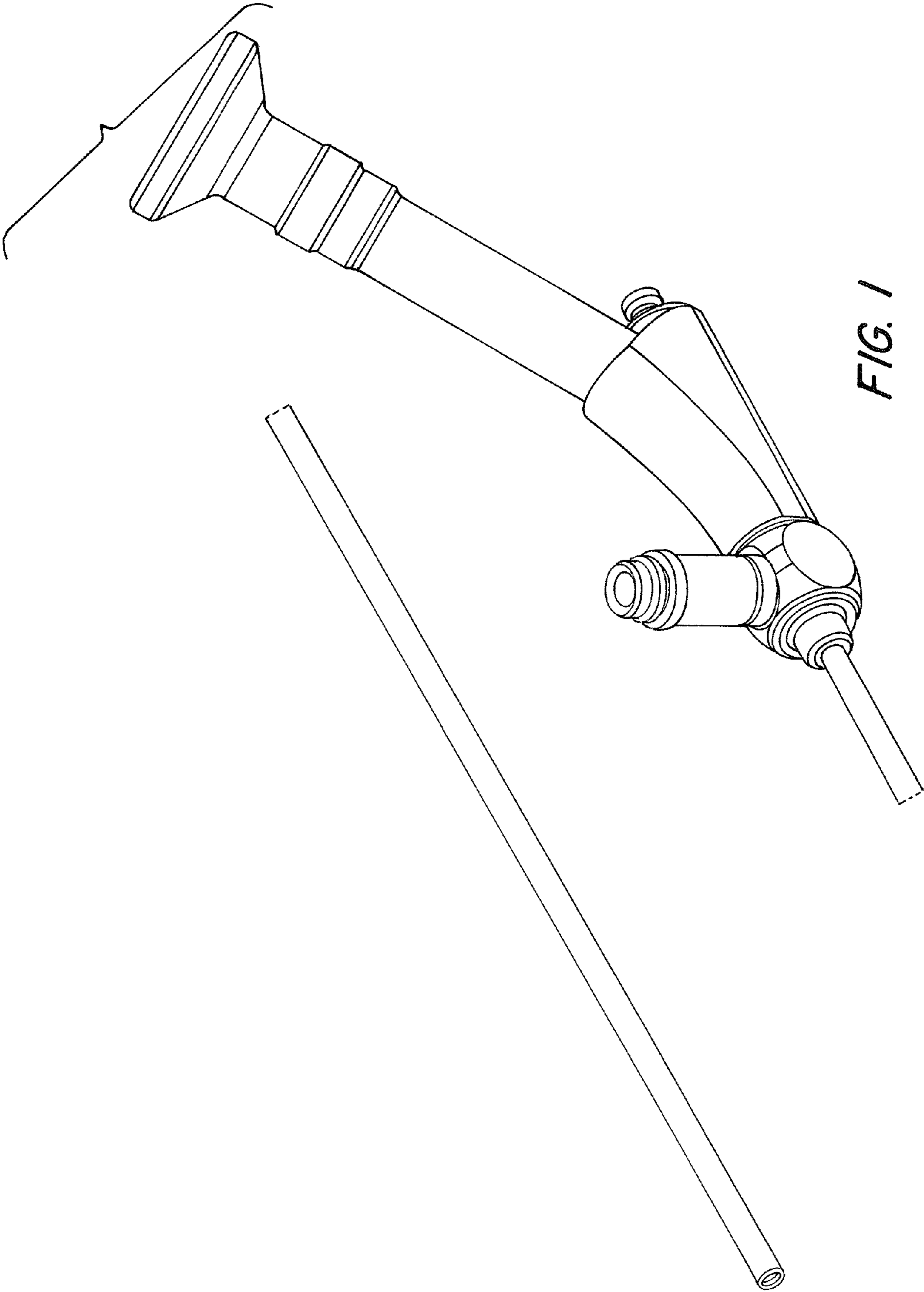


FIG. 1

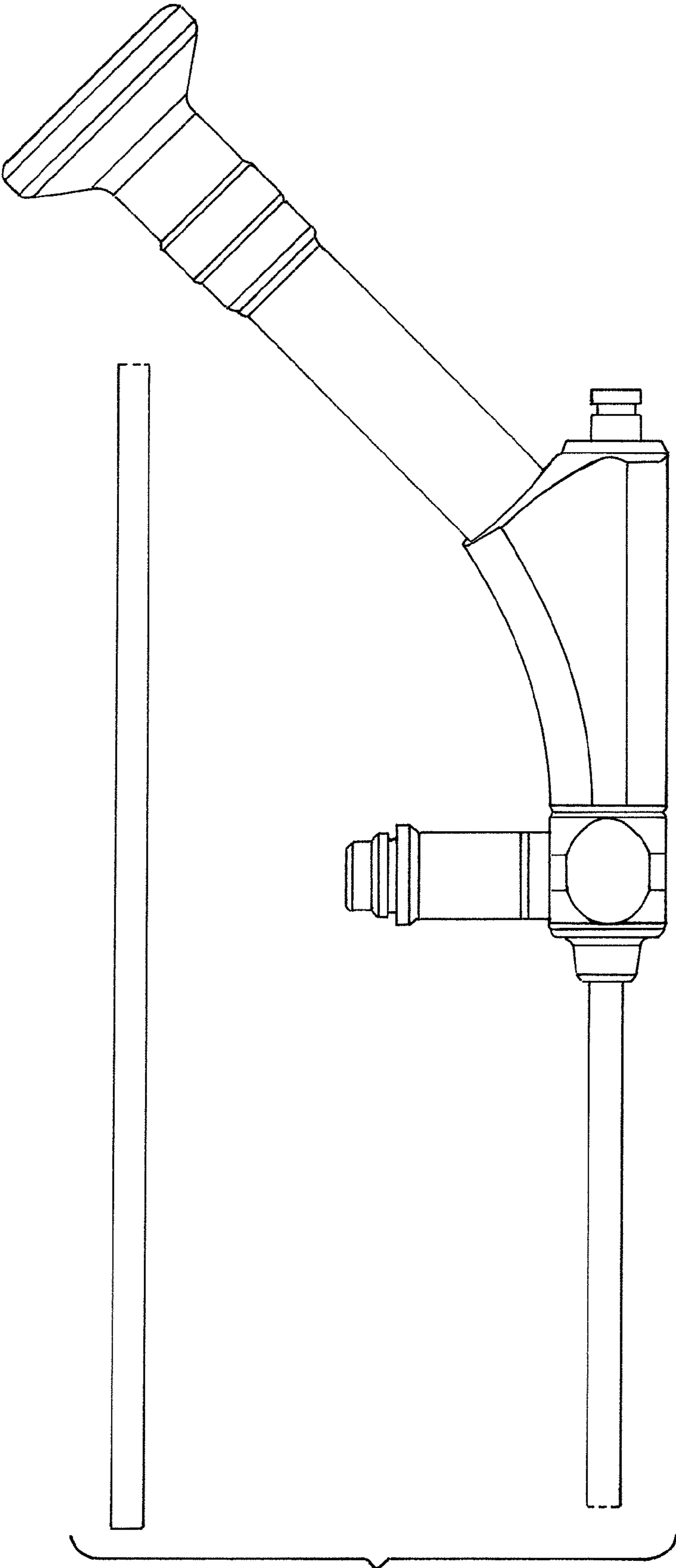


FIG. 2

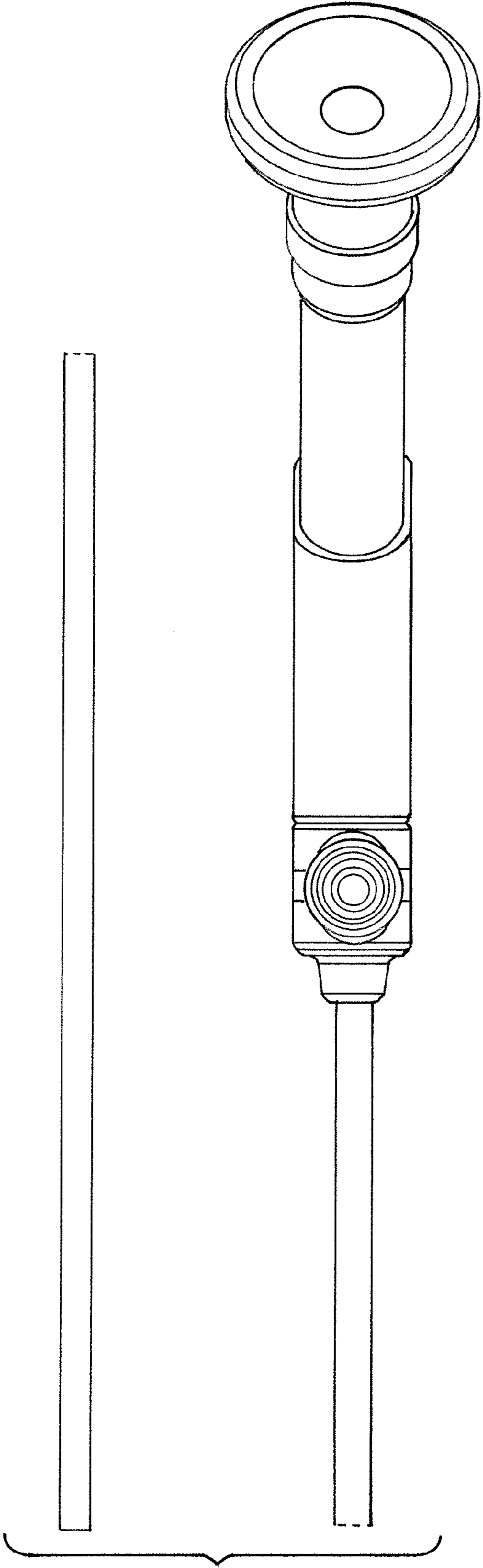


FIG. 3

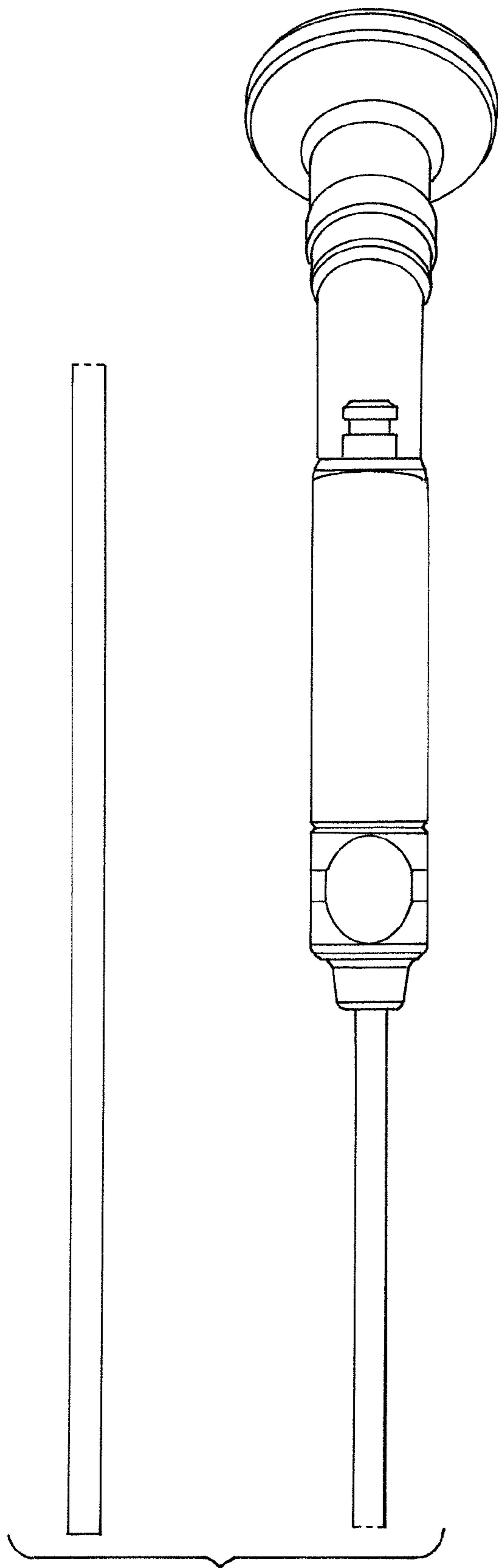
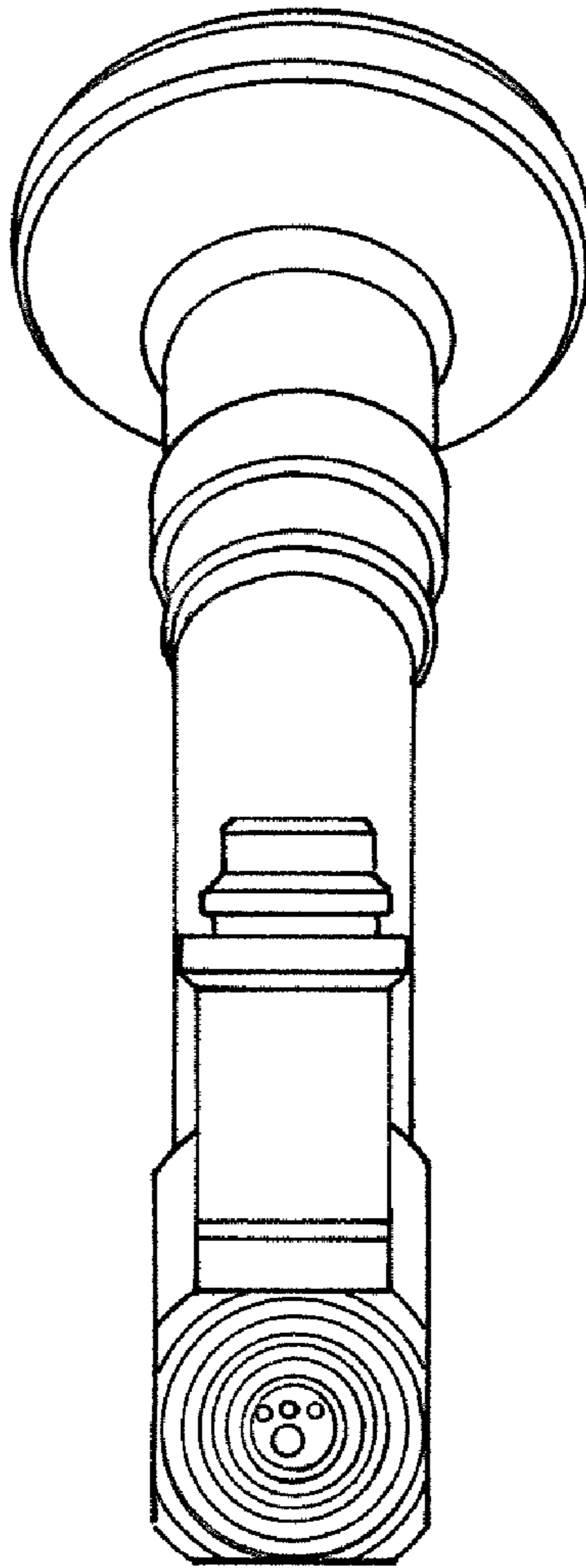
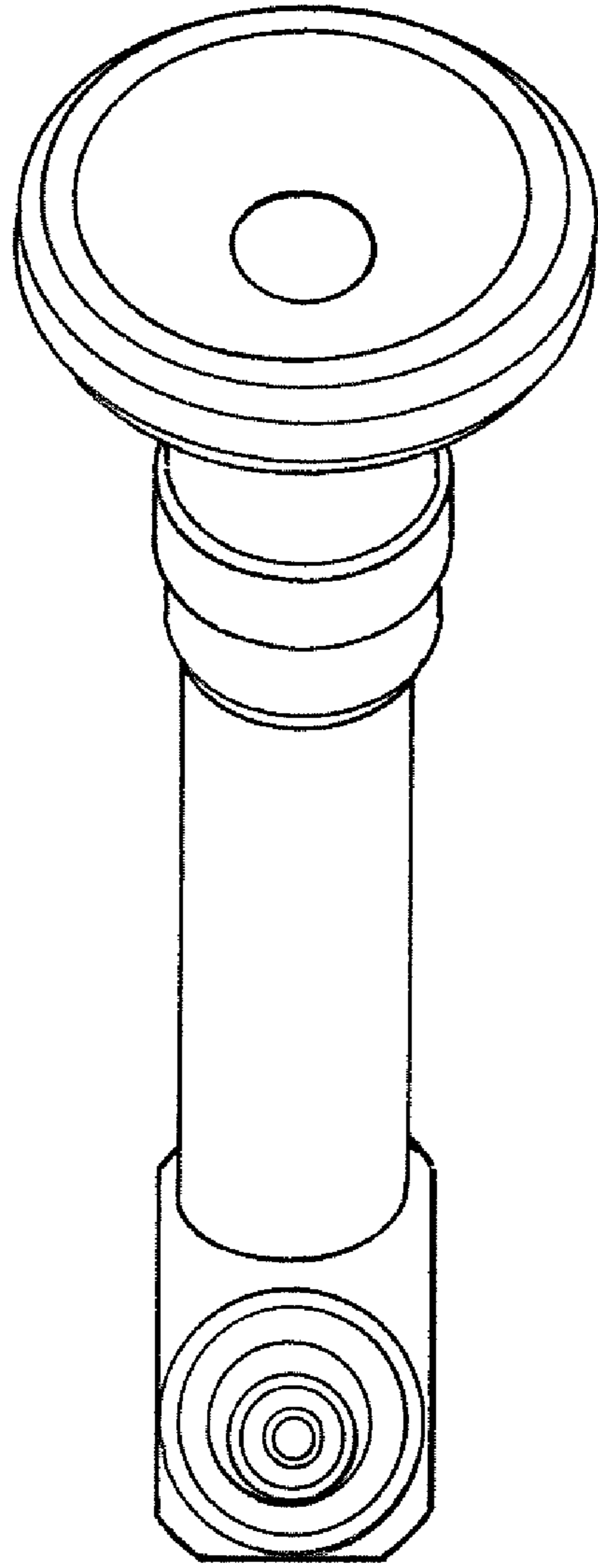


FIG. 4



*FIG. 5*



*FIG. 6*