



US00D612046S

(12) **United States Design Patent**
Tsai

(10) **Patent No.:** **US D612,046 S**
(45) **Date of Patent:** **** Mar. 16, 2010**

(54) **PROCTOSCOPE**

2005/0234299 A1* 10/2005 Eitenmuller et al. 600/160
2007/0093692 A1* 4/2007 Leroy et al. 600/182

(76) Inventor: **Yih-Chiou Tsai**, No. 20-8, Lane 252,
Tungchi St., Taichang Li, Tung Shin
Chen, Taichung Hsien (TW)

* cited by examiner

(**) Term: **14 Years**

Primary Examiner—Charles A Rademaker

Assistant Examiner—Charles D Hanson

(21) Appl. No.: **29/344,861**

(74) *Attorney, Agent, or Firm*—Alan Kamrath; Kamrath &
Associates PA

(22) Filed: **Oct. 6, 2009**

(57) **CLAIM**

(51) **LOC (9) Cl.** **24-01**

The ornamental design for a proctoscope, as shown.

(52) **U.S. Cl.** **D24/135**

(58) **Field of Classification Search** D24/138,
D24/141, 135; 600/219–222, 225, 184, 182,
600/114, 140, 160, 199

DESCRIPTION

See application file for complete search history.

FIG. 1 is a perspective view of a proctoscope, showing my
new design;

FIG. 2 is a front view thereof;

FIG. 3 is a rear view thereof;

FIG. 4 is a left side view thereof;

FIG. 5 is a right side view thereof;

FIG. 6 is a top view thereof;

FIG. 7 is a bottom view thereof;

FIG. 8 is a rear perspective view thereof; and,

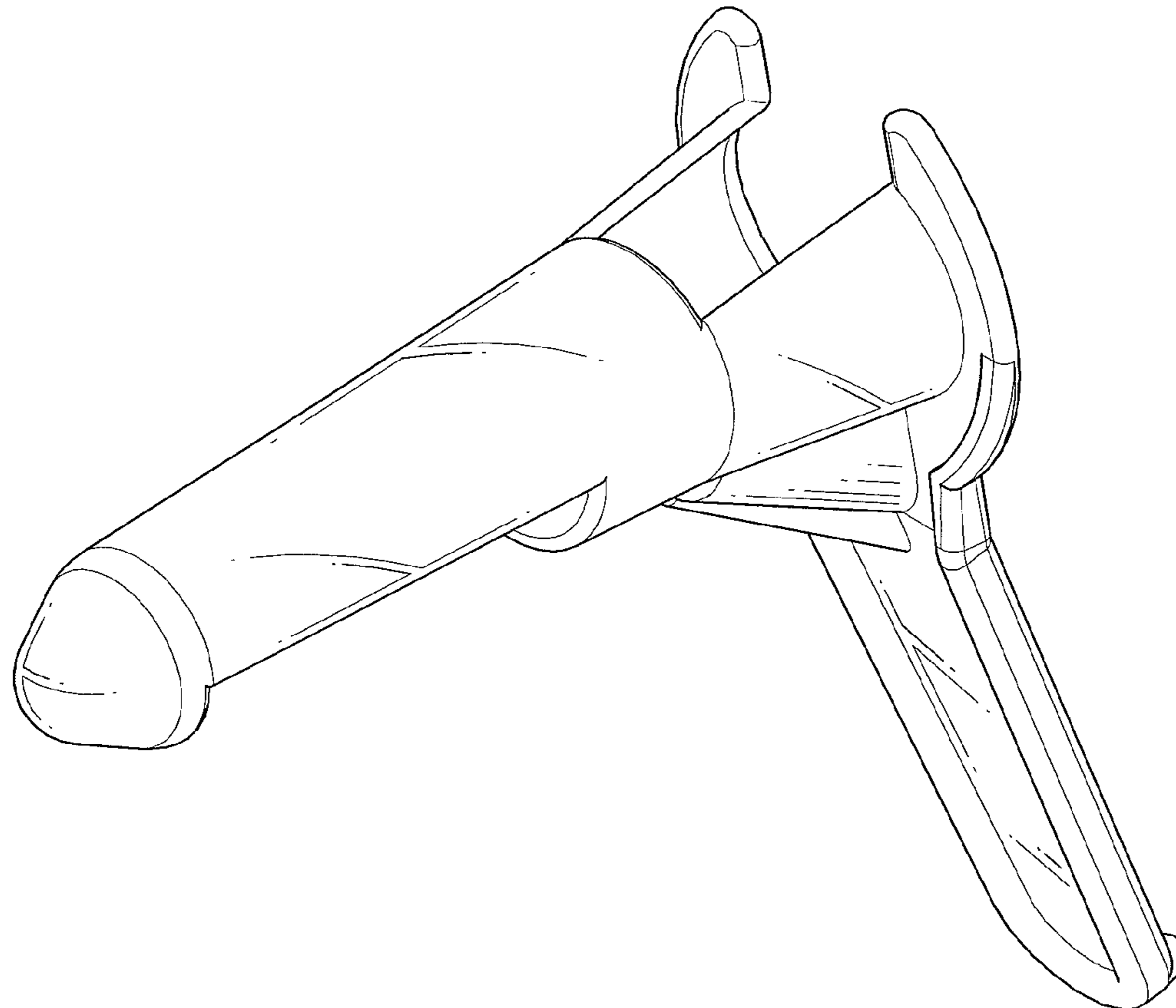
FIG. 9 is an upward perspective view thereof.

(56) **References Cited**

U.S. PATENT DOCUMENTS

2,482,971	A *	9/1949	Golson	600/184
3,701,347	A *	10/1972	Belkin	600/184
5,464,412	A *	11/1995	Budding	606/140
6,142,931	A *	11/2000	Kaji	600/114
6,616,603	B1 *	9/2003	Fontana	600/199
7,029,438	B2 *	4/2006	Morin et al.	600/184
D558,344	S *	12/2007	Saddlemire et al.	D24/135
D564,657	S *	3/2008	Tsai	D24/135
7,452,329	B2 *	11/2008	Bastia et al.	600/184

1 Claim, 7 Drawing Sheets



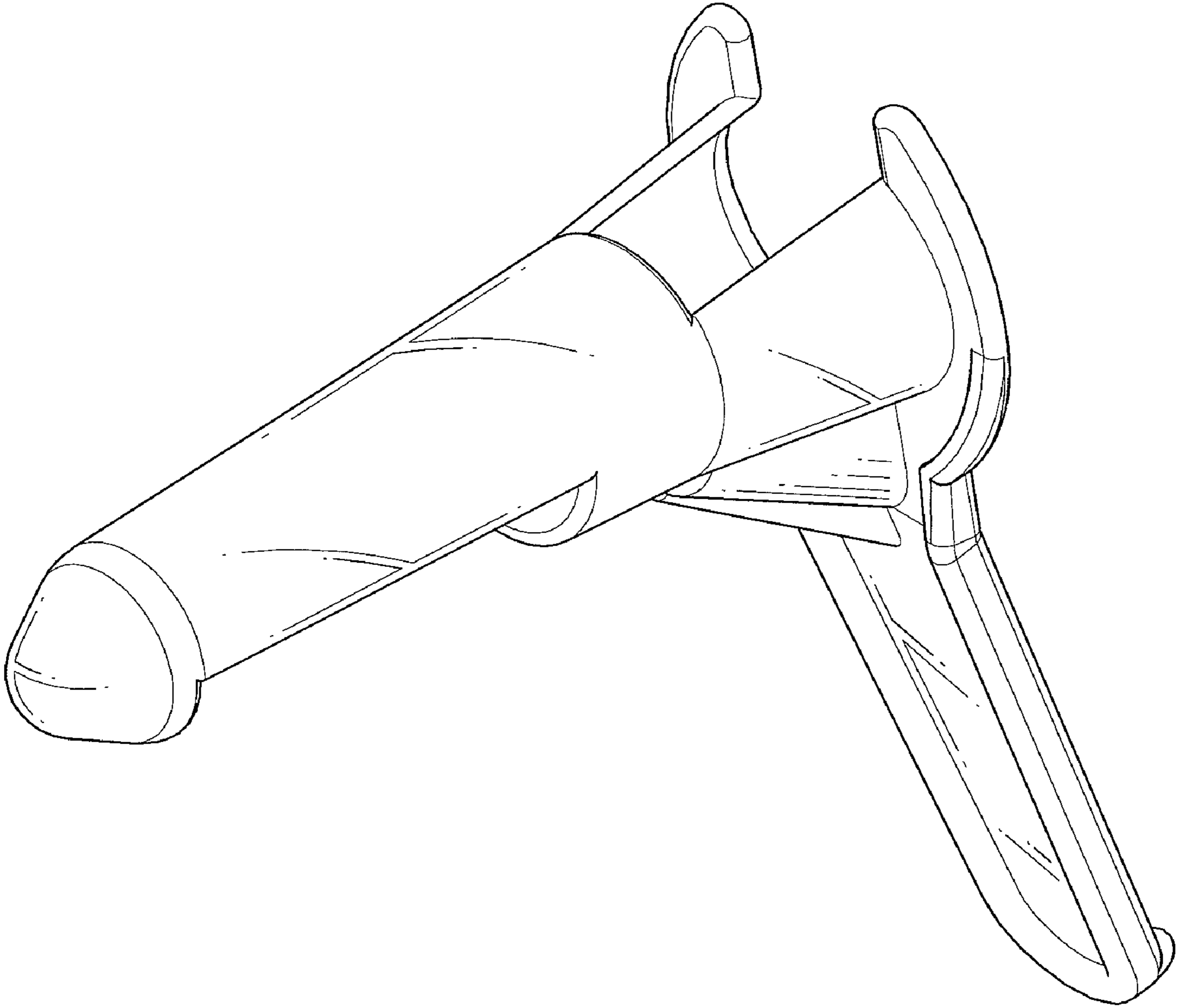


FIG.1

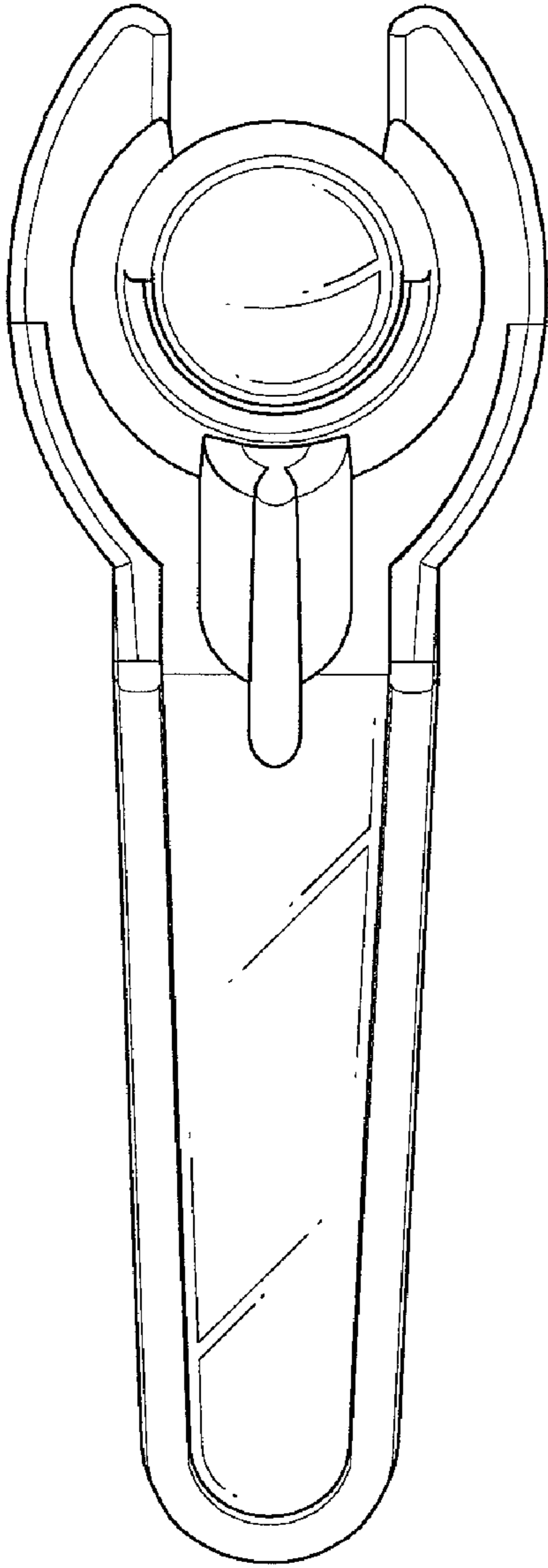


FIG. 2

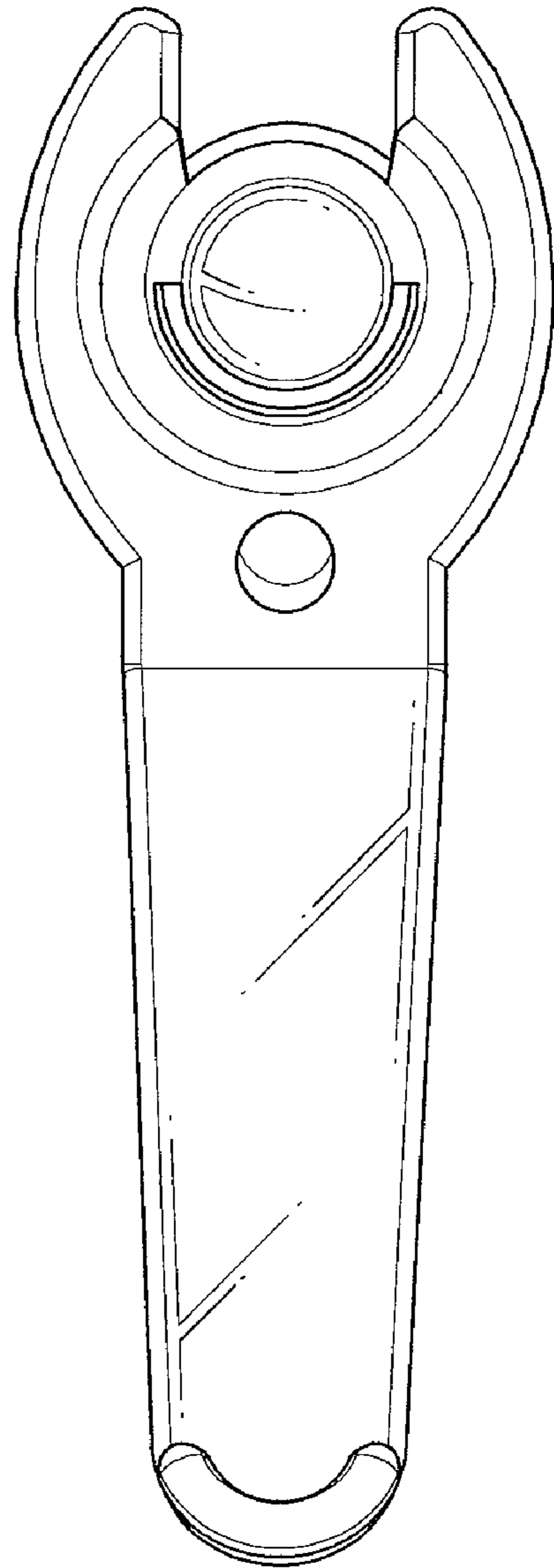


FIG. 3

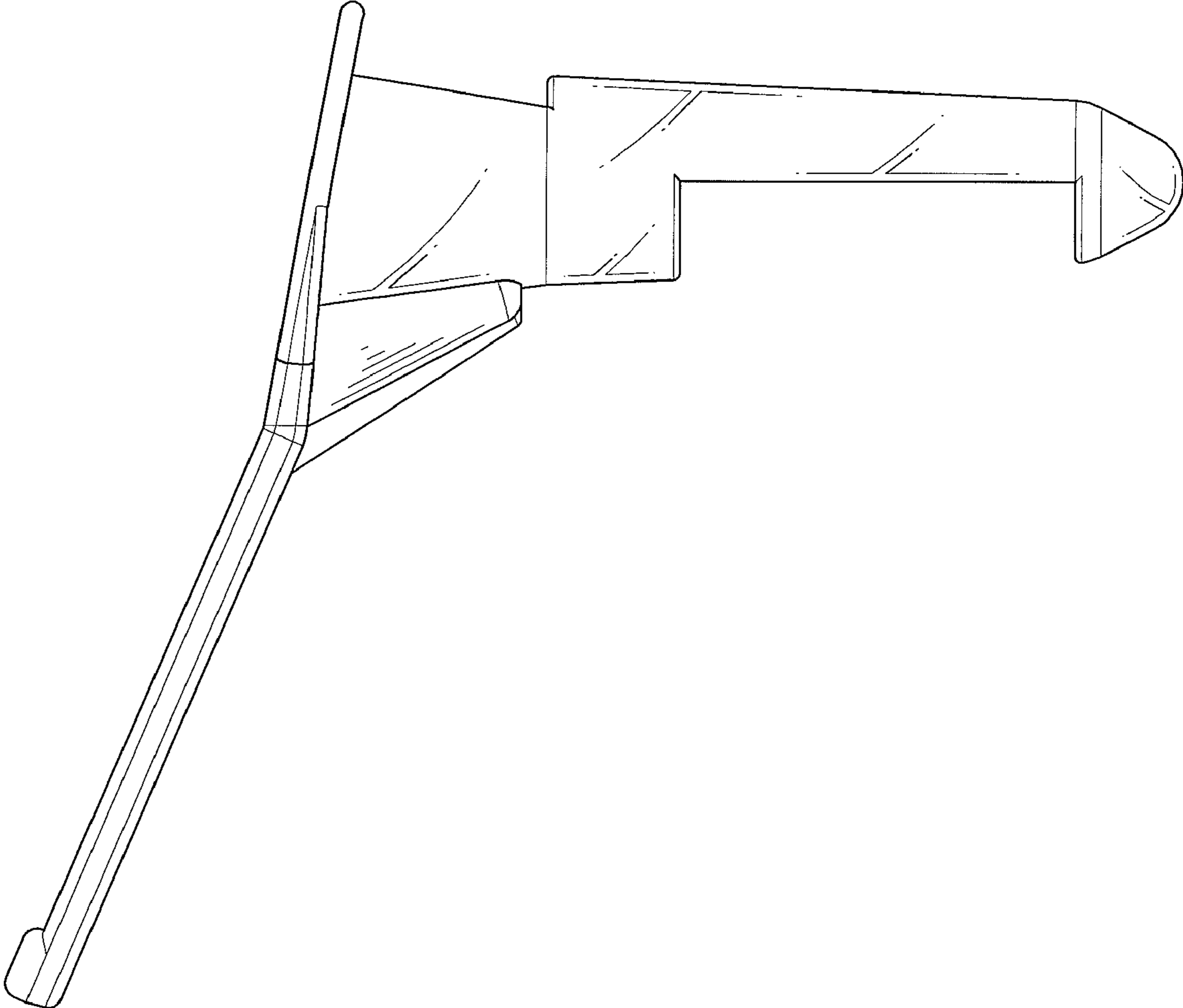


FIG.4

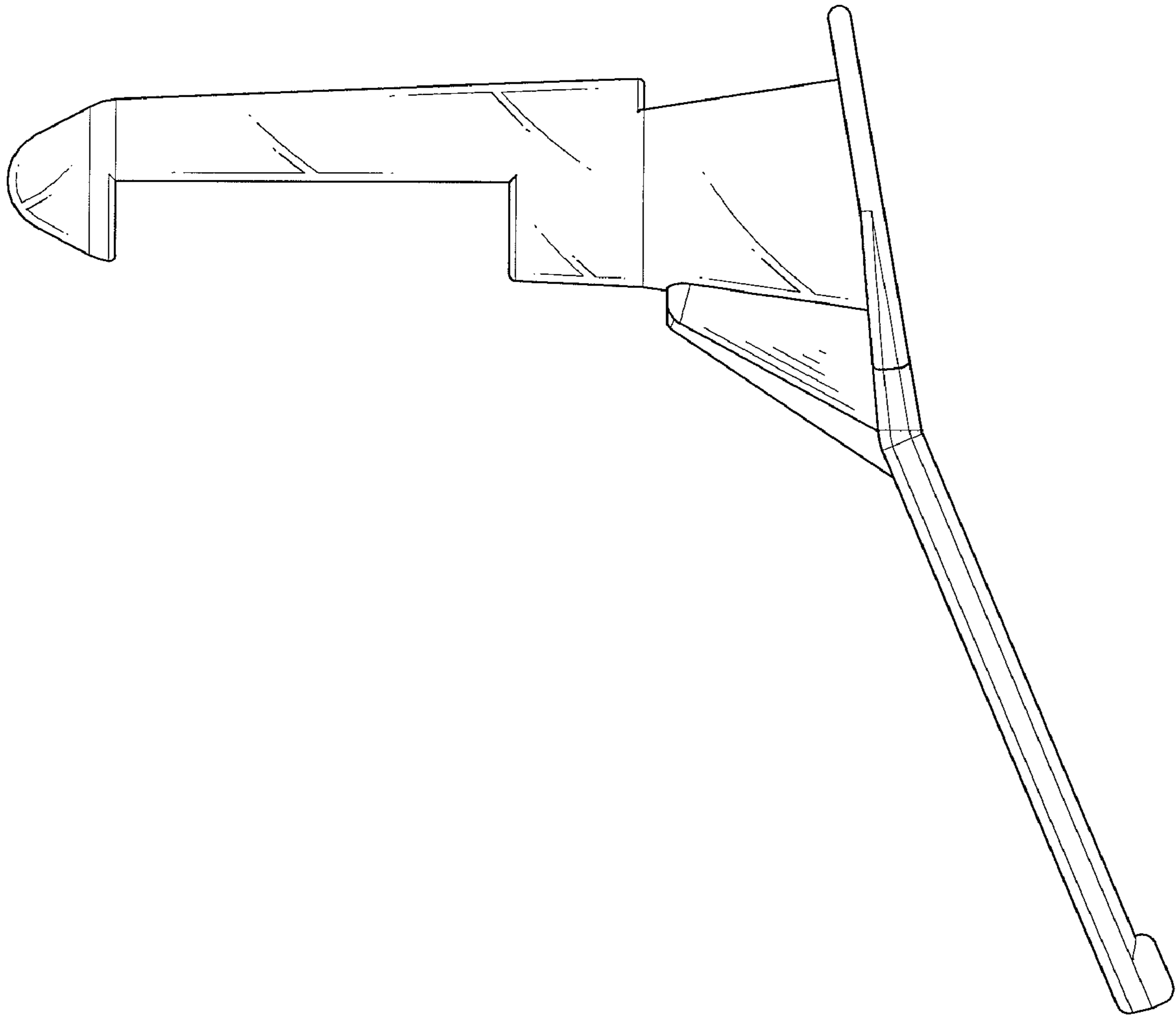


FIG. 5

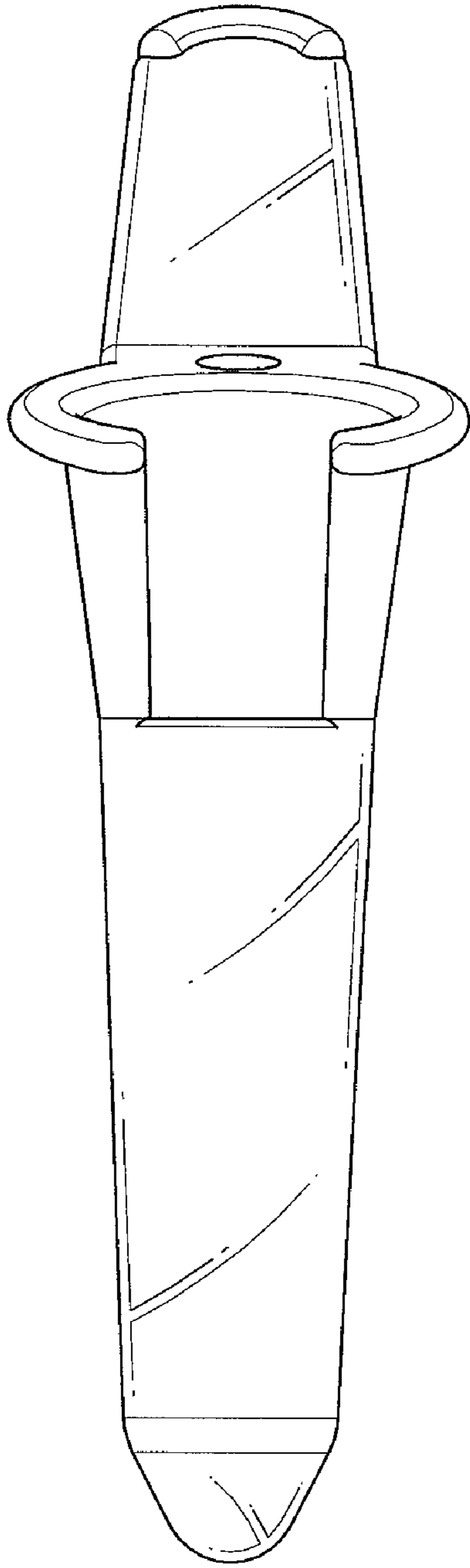


FIG. 6

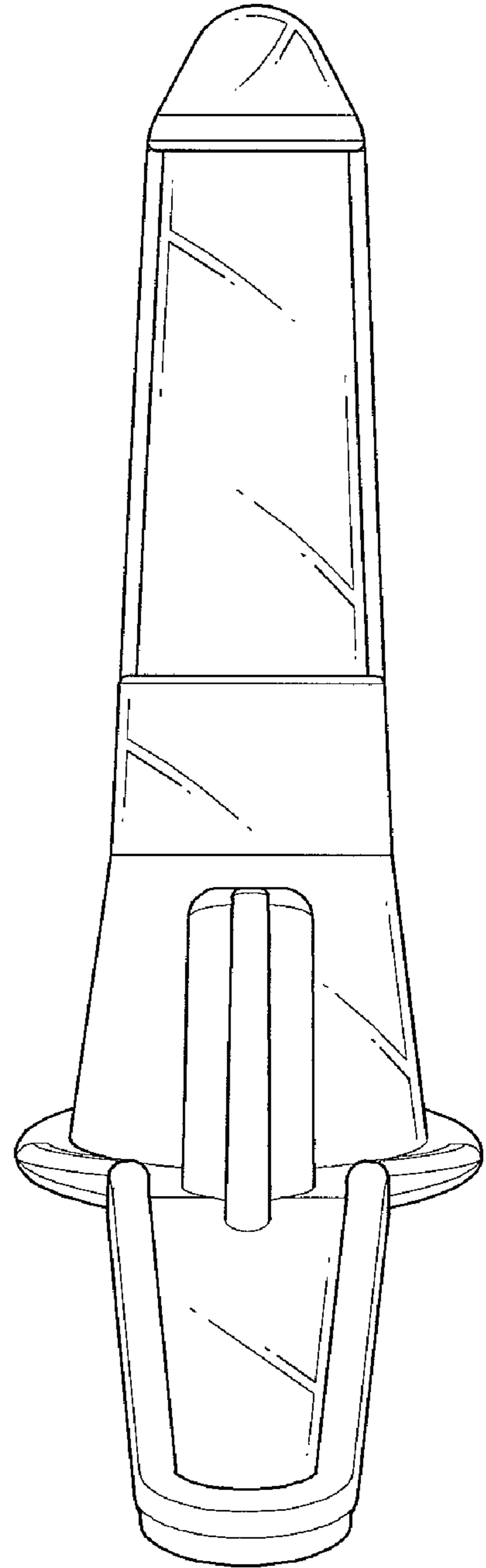


FIG. 7

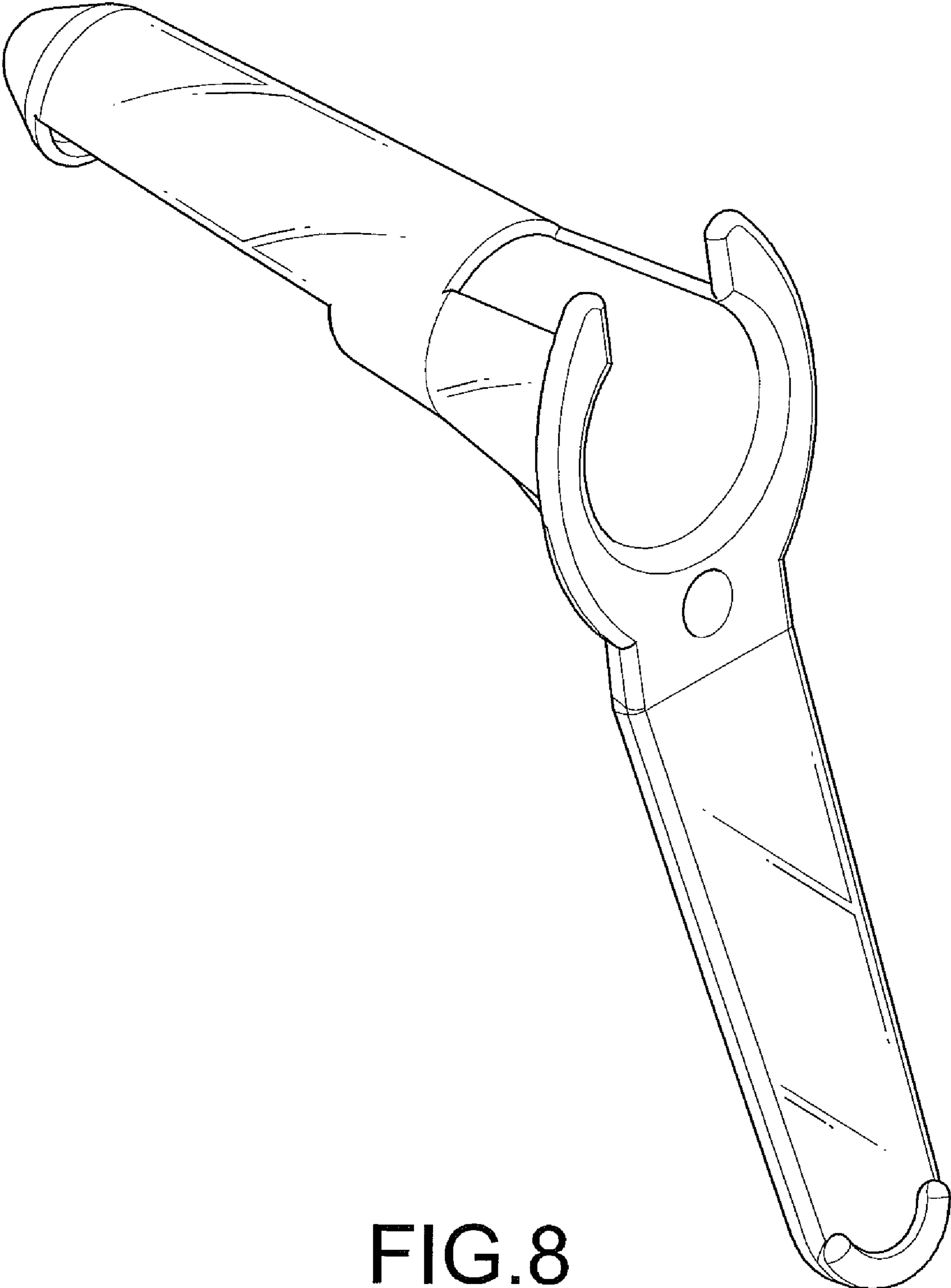


FIG. 8

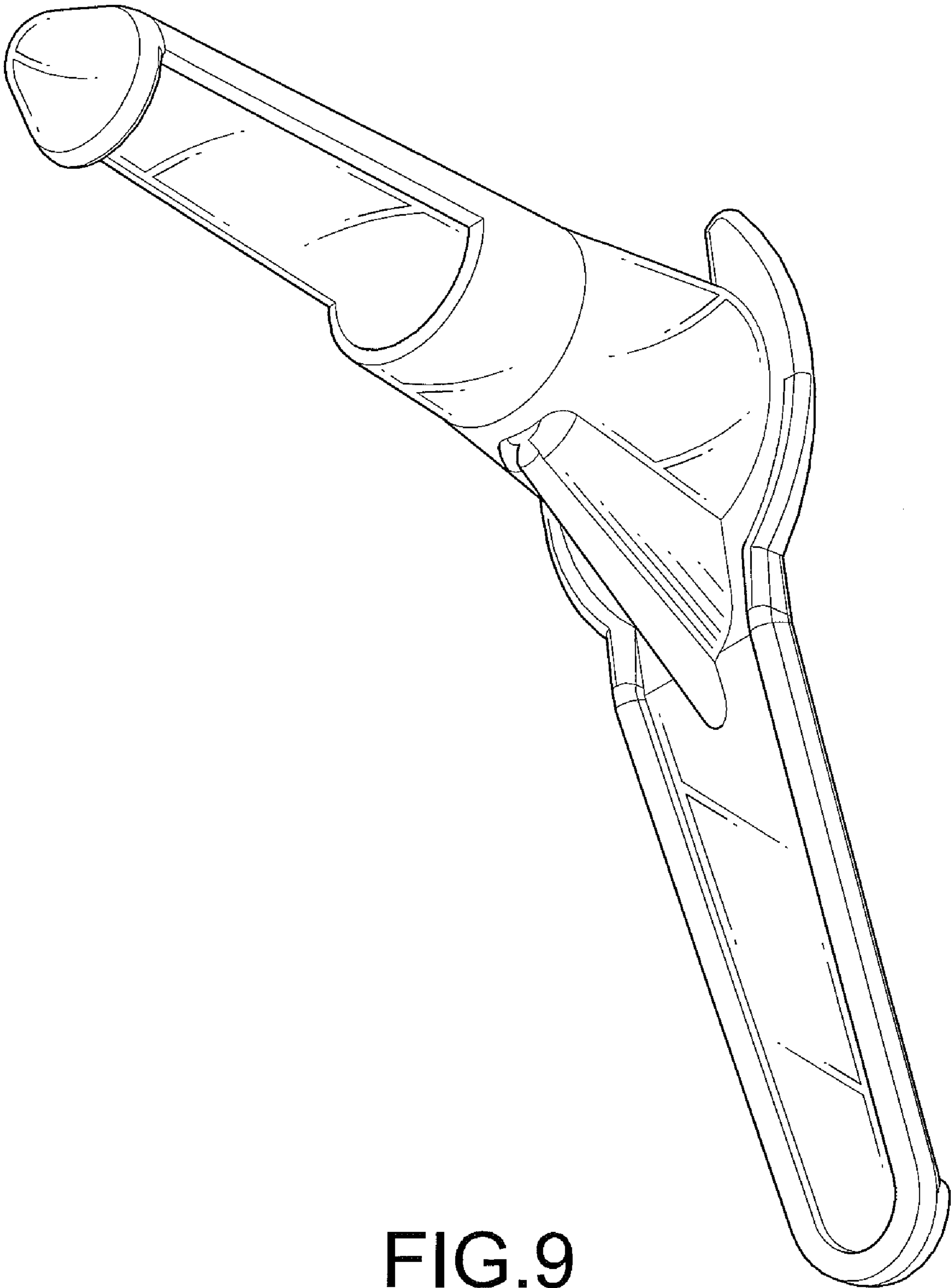


FIG.9