



US00D612045S

(12) **United States Design Patent**
Sarvazyan et al.

(10) **Patent No.:** **US D612,045 S**
(45) **Date of Patent:** **** Mar. 16, 2010**

(54) **COLONOSCOPE HANDGRIP ASSEMBLY WITH FORCE AND TORQUE MONITOR**

(75) Inventors: **Armen P. Sarvazyan**, Lambertville, NJ (US); **Louis Y. Korman**, Rockville, MD (US); **Sergey Tsyuryupa**, Levittown, PA (US)

(73) Assignee: **Artann Laboratories, Inc.**, Lambertville, NJ (US)

(**) Term: **14 Years**

(21) Appl. No.: **29/320,470**

(22) Filed: **Jun. 27, 2008**

(51) **LOC (9) Cl.** **24-02**

(52) **U.S. Cl.** **D24/133**

(58) **Field of Classification Search** D24/133, D24/138, 137, 143, 146, 147; D16/202; 600/587, 141, 179, 152, 146; 606/167, 174, 606/205

See application file for complete search history.

(56) **References Cited**

U.S. PATENT DOCUMENTS

D338,958 S *	8/1993	Jensen	D24/133
5,879,289 A *	3/1999	Yarush et al.	600/179
6,981,945 B1	1/2006	Sarvazyan		
D523,455 S *	6/2006	Greise et al.	D16/202
2005/0070759 A1 *	3/2005	Armstrong	600/105
2005/0075538 A1 *	4/2005	Banik et al.	600/141
2007/0185379 A1 *	8/2007	Newman et al.	600/110
2007/0191674 A1 *	8/2007	Zirps et al.	600/104
2008/0228030 A1 *	9/2008	Godin	600/106

* cited by examiner

Primary Examiner—Ian Simmons
Assistant Examiner—Christopher Lee
(74) *Attorney, Agent, or Firm*—Boris Leschinsky

(57) **CLAIM**

The ornamental design for a colonoscope handgrip assembly with force and torque monitor, as shown and described.

DESCRIPTION

This invention was made with government support under SBIR grant R44DK068936 awarded by the National Institute of Diabetes and Digestive and Kidney Diseases, National Institutes of Health. The government has certain rights in the invention.

FIG. 1 is a perspective view of open handgrip with a colonoscope handgrip assembly with force and torque monitor according to our design;

FIG. 2 is another perspective view of FIG. 1 thereof;

FIG. 3 is a left side view thereof;

FIG. 4 is a right side view thereof;

FIG. 5 is a front view thereof;

FIG. 6 is a rear view thereof;

FIG. 7 is a top view thereof;

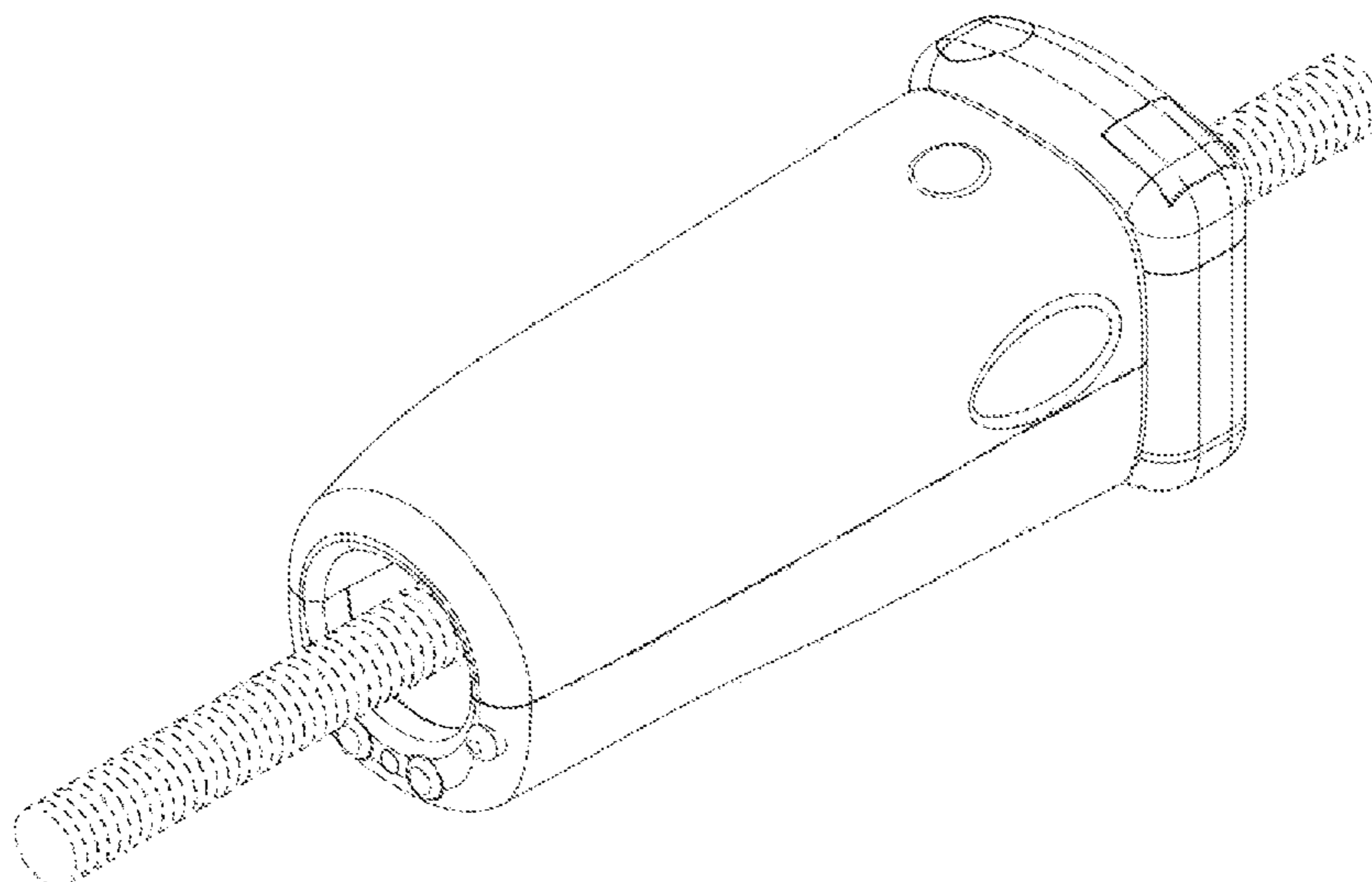
FIG. 8 is a bottom view thereof;

FIG. 9 is a perspective view of open handgrip with colonoscope tube inserted; and,

FIG. 10 is a perspective view of closed handgrip with colonoscope tube inserted.

Colonoscope tube shown with broken lines on FIGS. 9 and 10 forms no part of the claimed design.

1 Claim, 10 Drawing Sheets



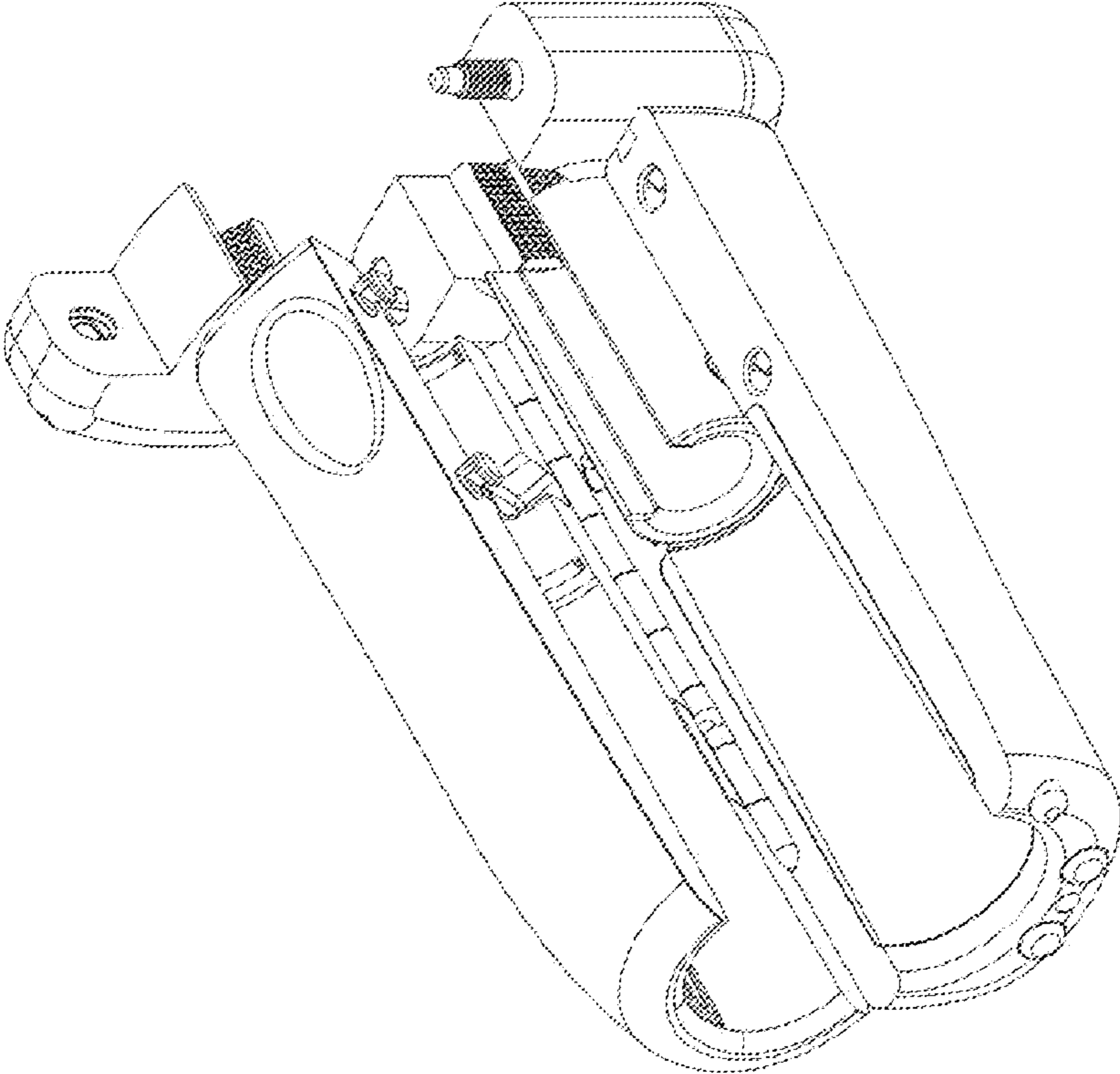


FIG. 1

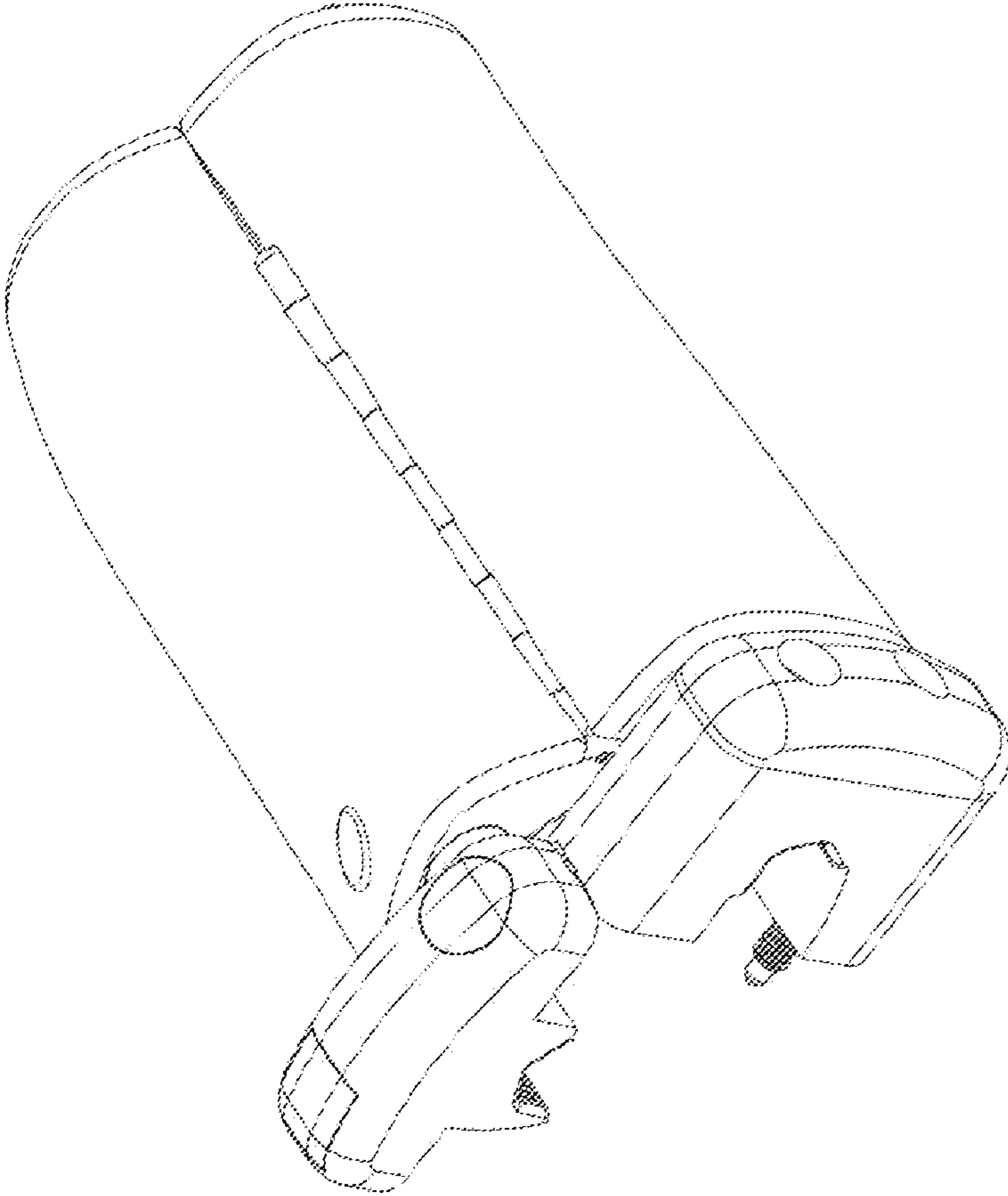


FIG. 2

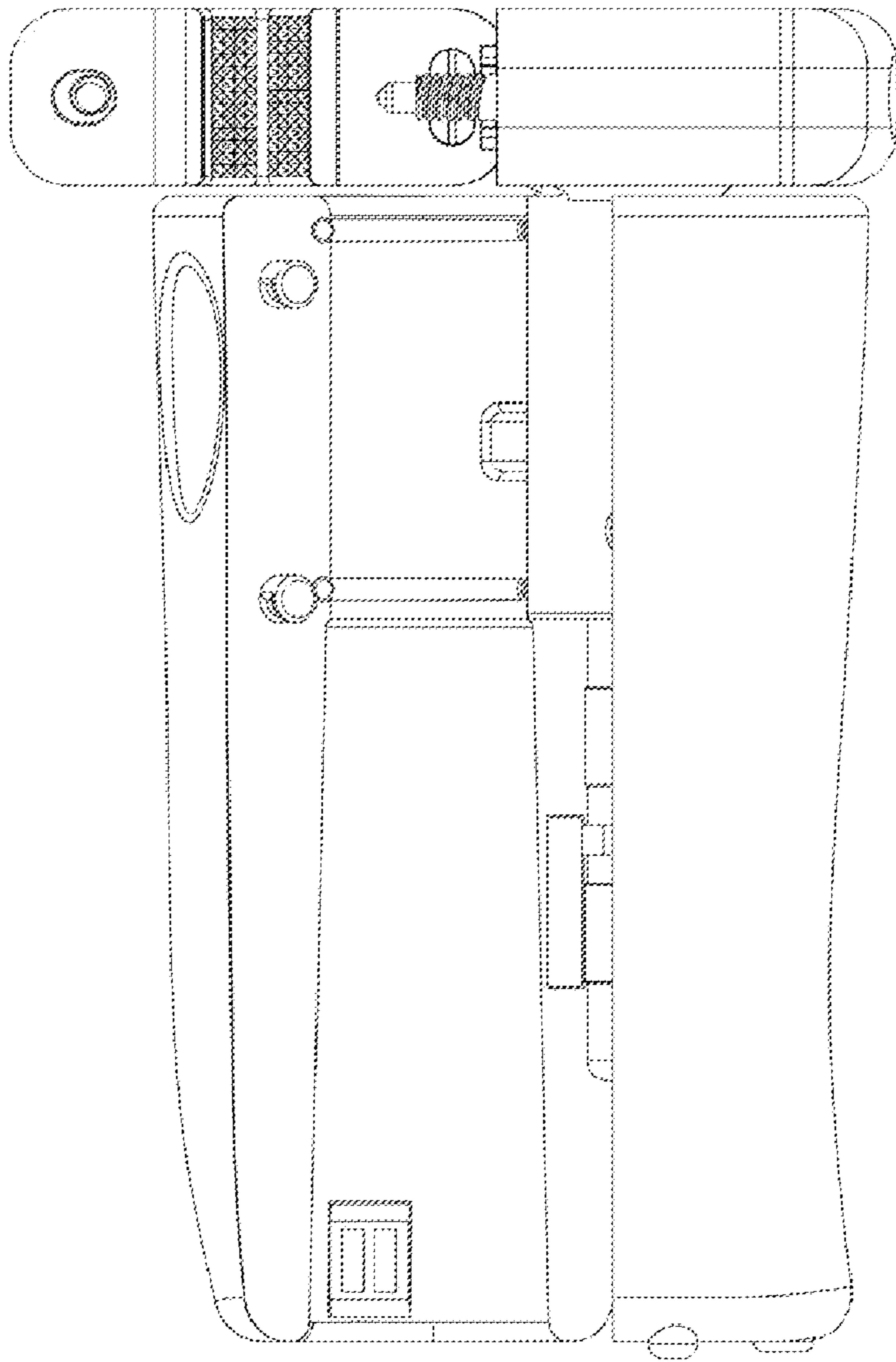


FIG. 3

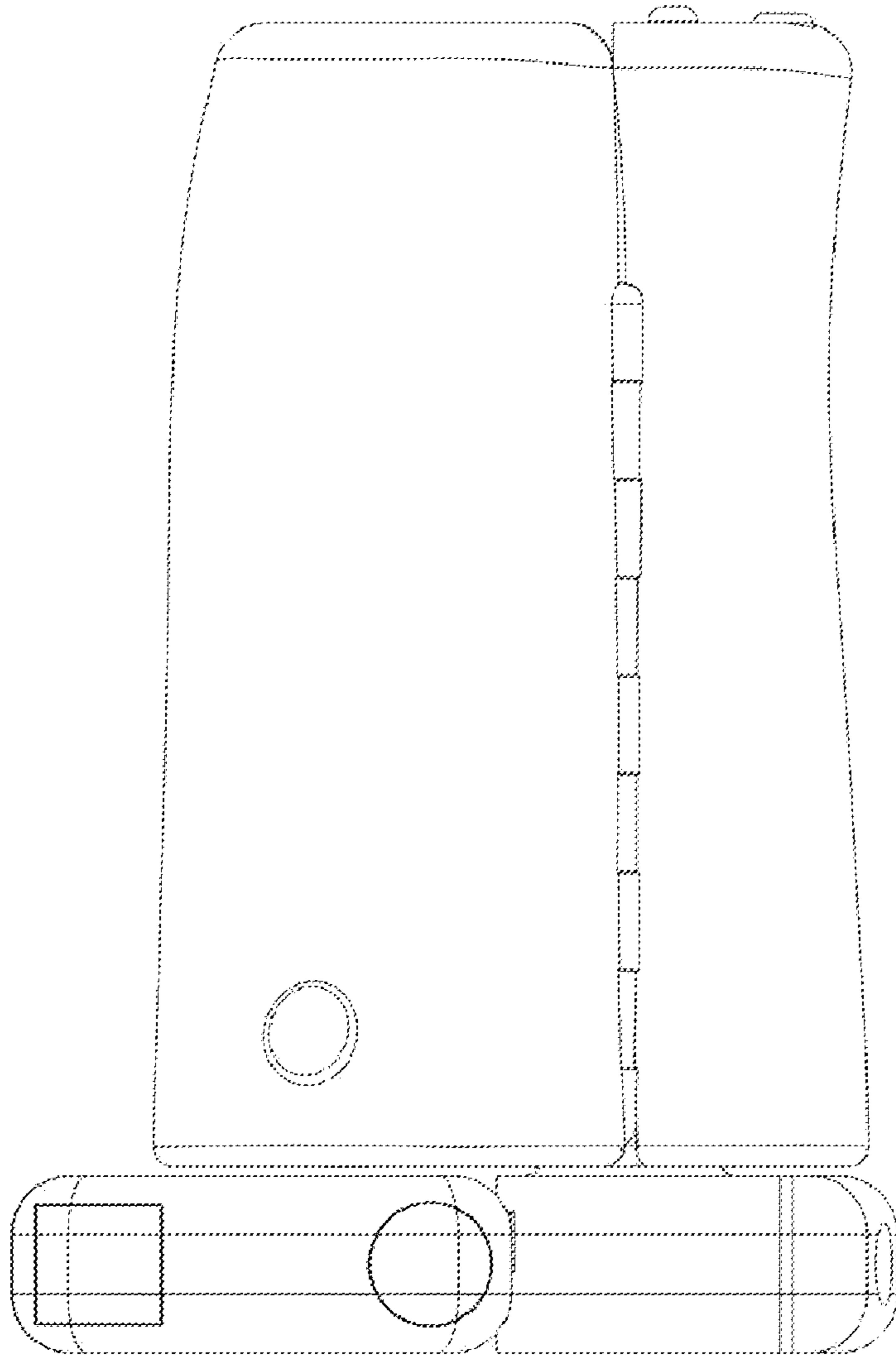


FIG. 4

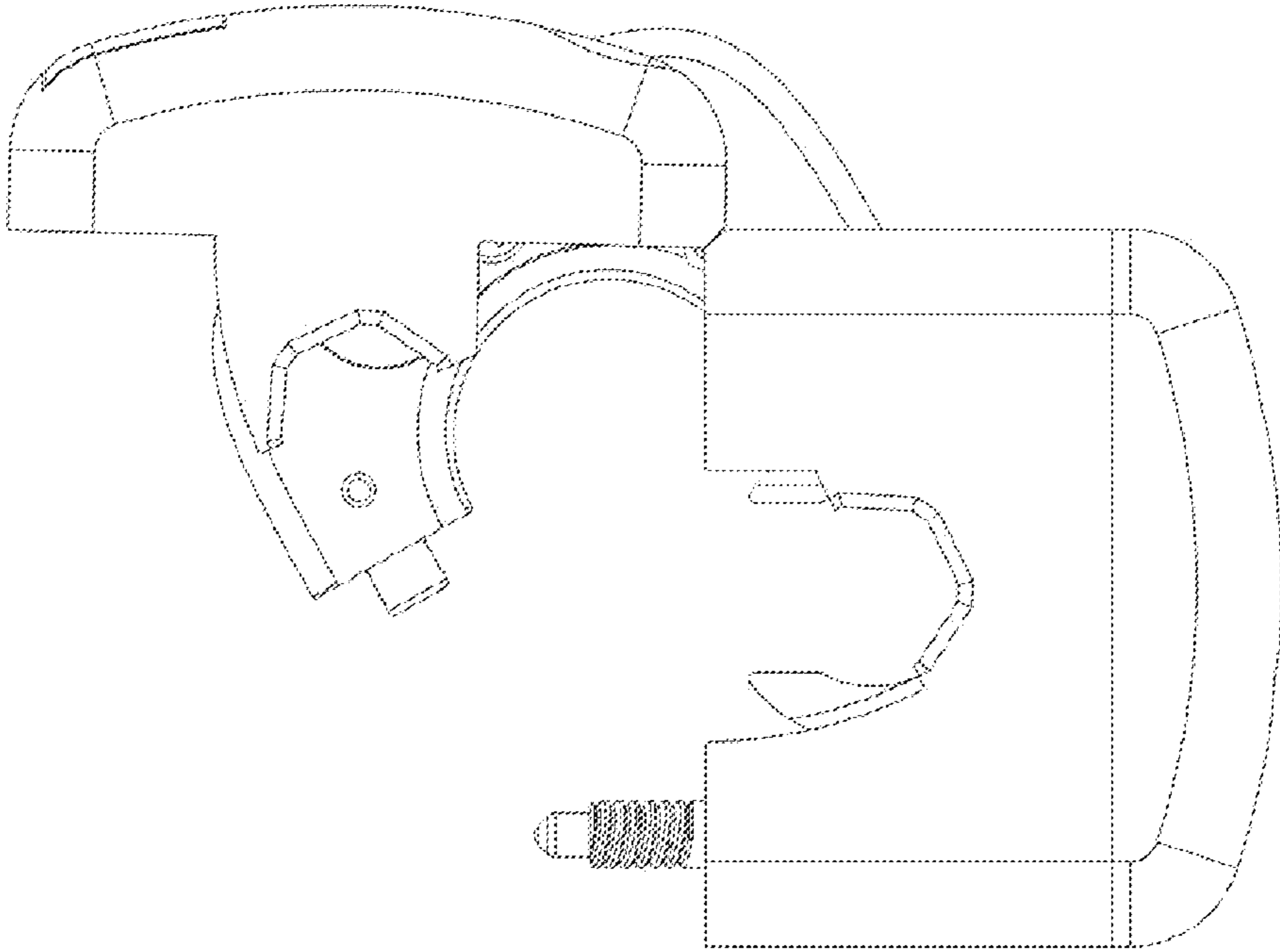


FIG. 5

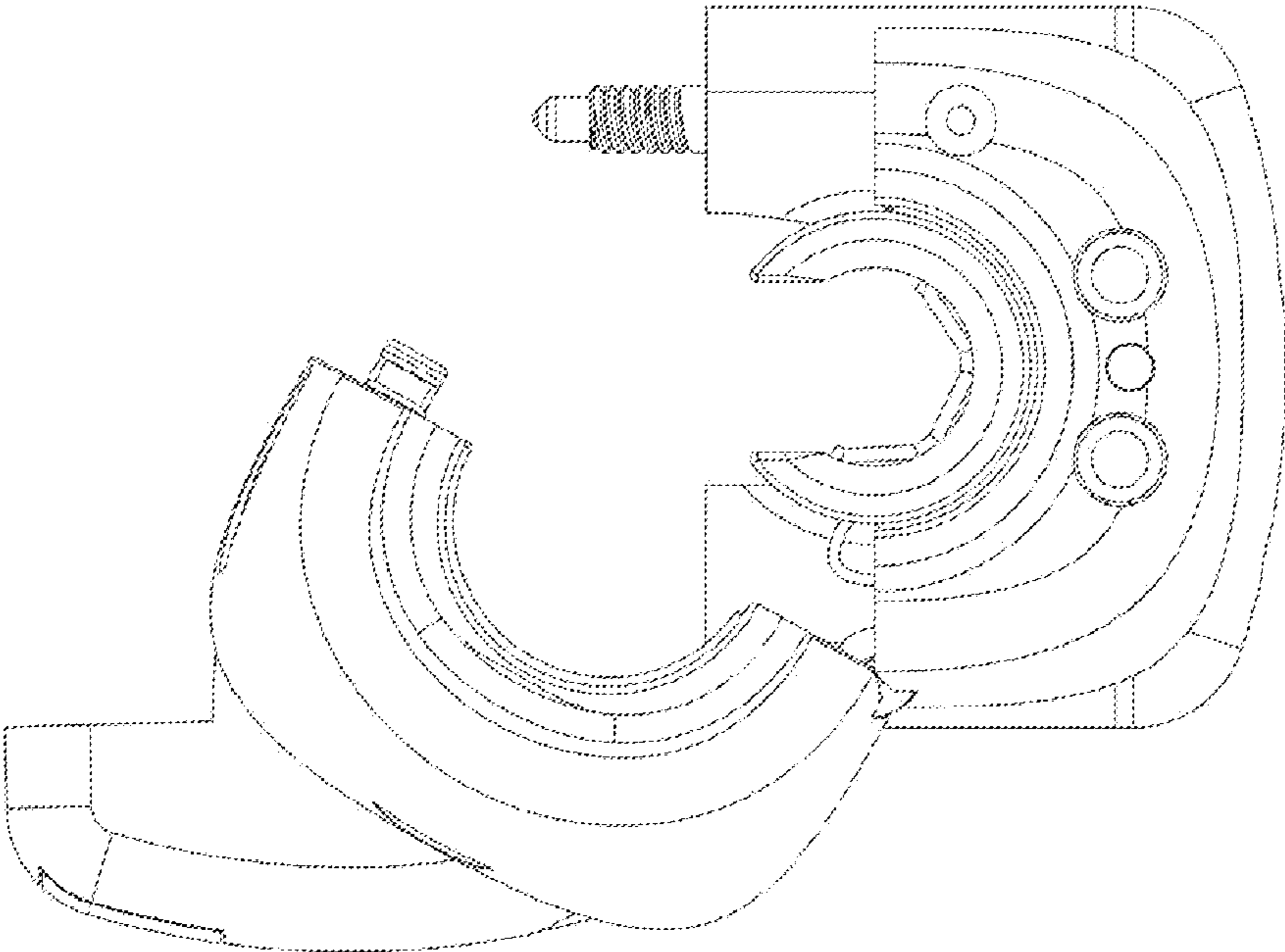


FIG. 6

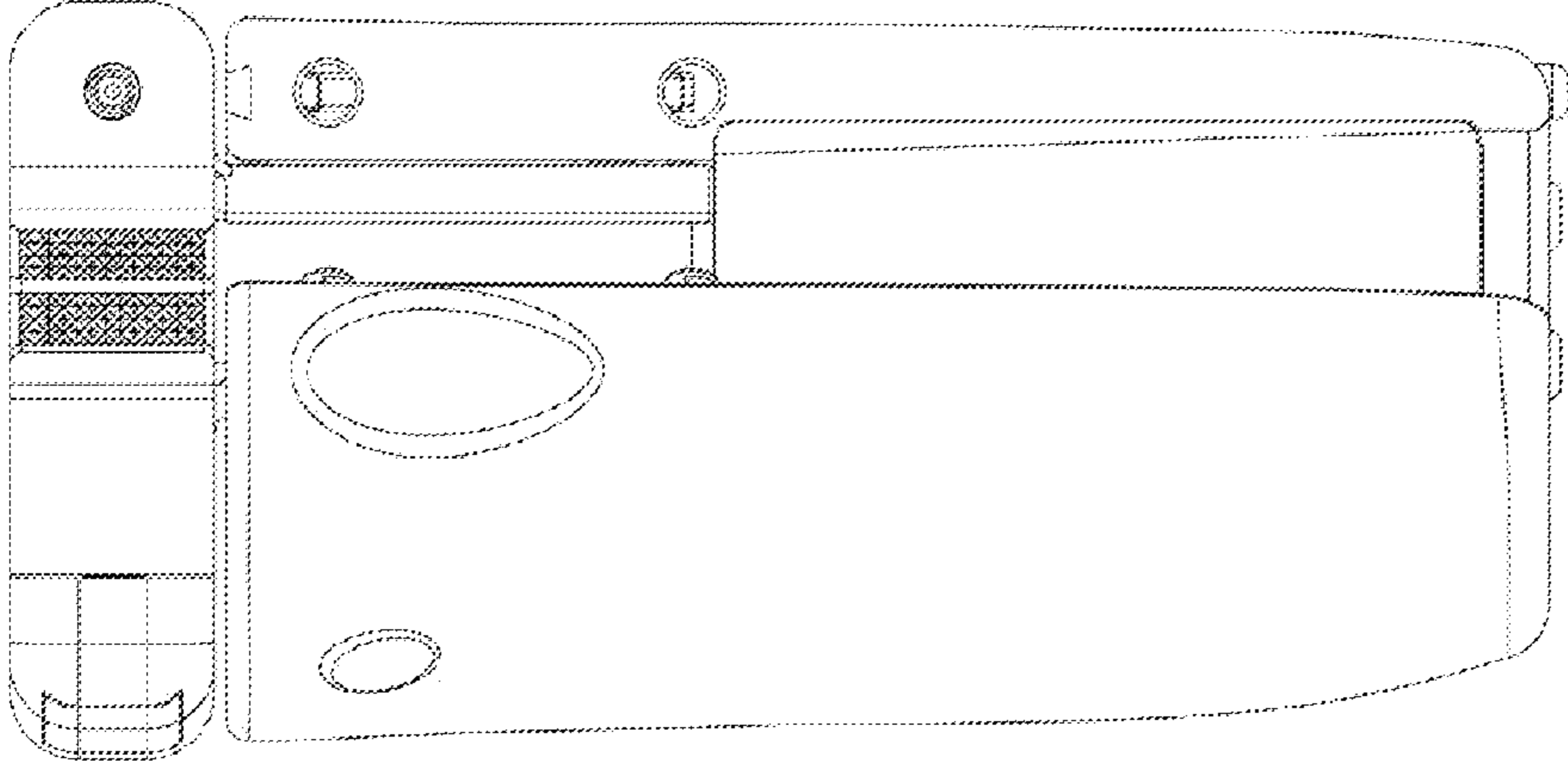


FIG. 7

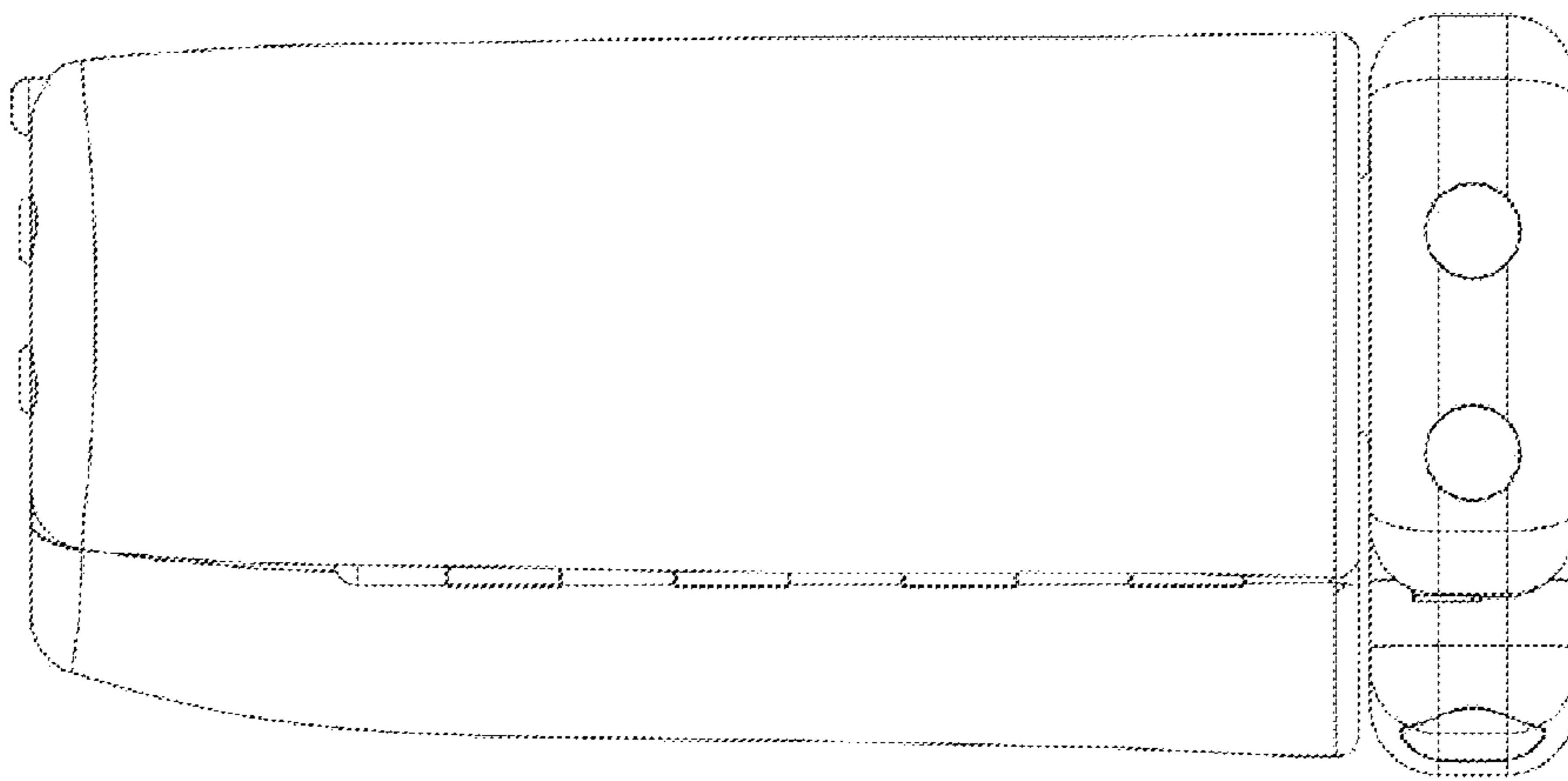


FIG. 8

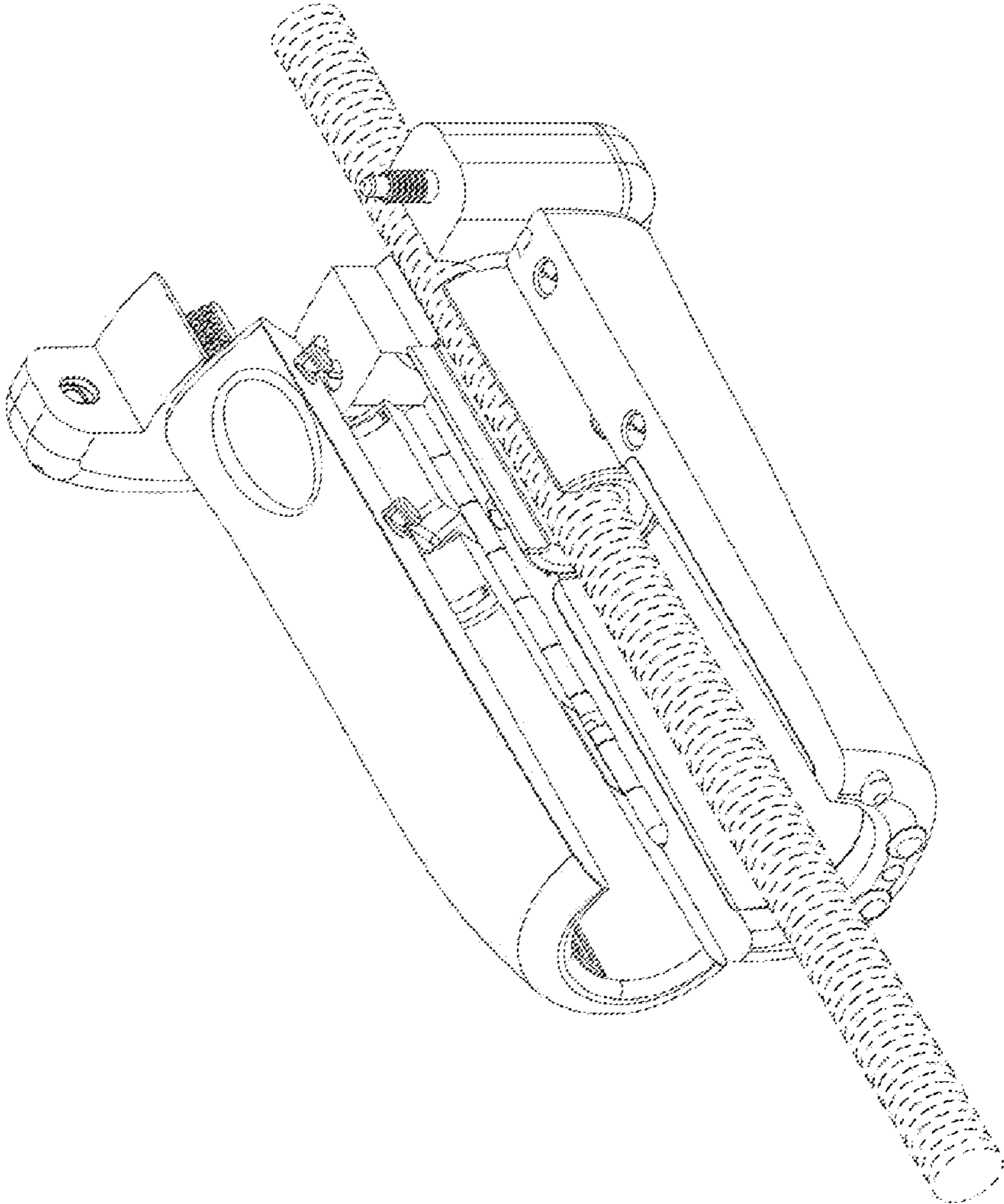


FIG. 9

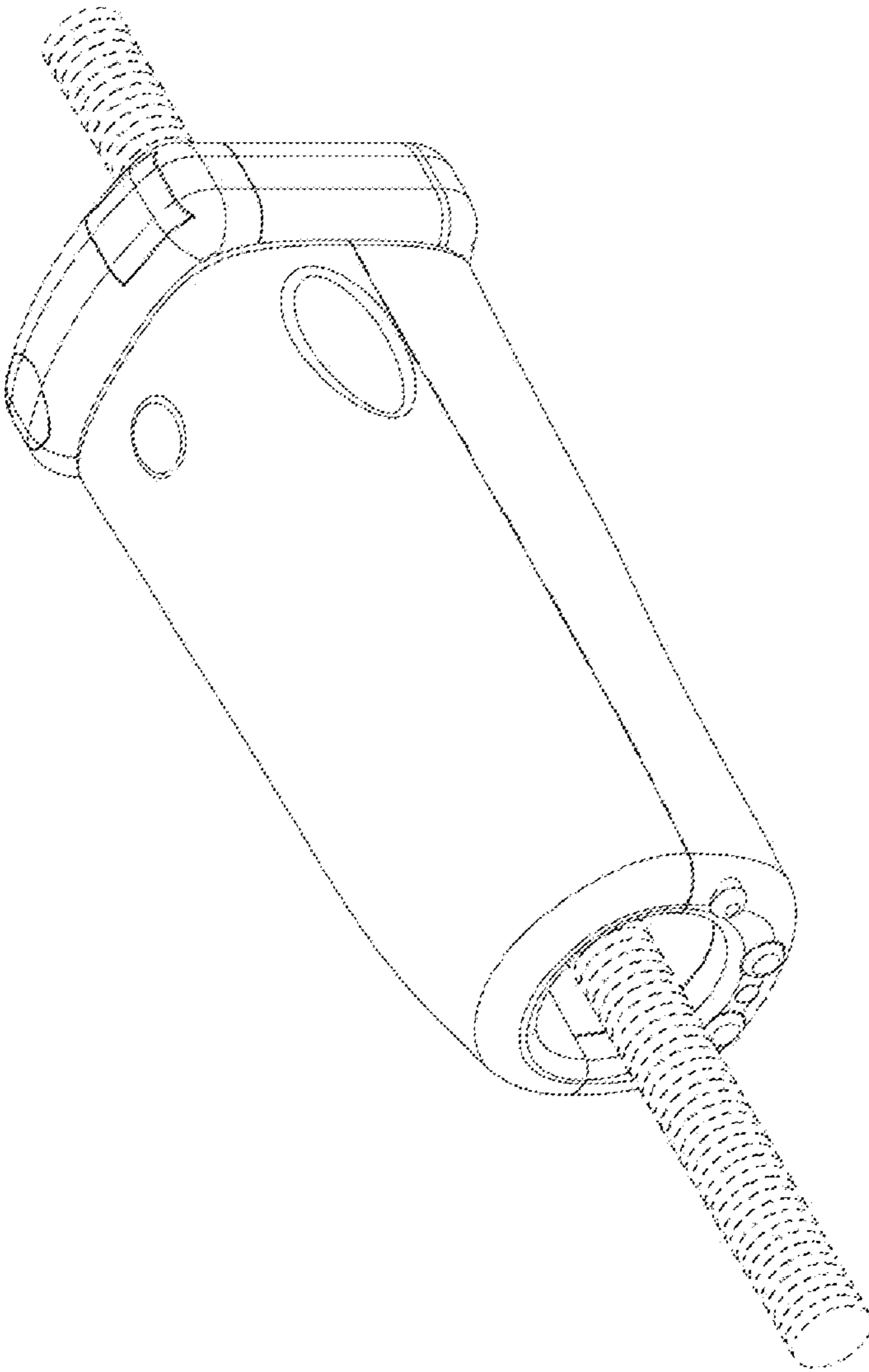


FIG. 10