



US00D612041S

(12) **United States Design Patent**  
**Jesso, Sr.**

(10) **Patent No.:** **US D612,041 S**  
(45) **Date of Patent:** **\*\* Mar. 16, 2010**

(54) **ASH CATCHING APPARATUS**  
(76) Inventor: **Thomas E. Jesso, Sr.**, 696 Culver Hill Rd., Pittston, PA (US) 18643  
(\*\*) Term: **14 Years**  
(21) Appl. No.: **29/325,121**  
(22) Filed: **Sep. 25, 2008**  
(51) **LOC (9) Cl.** ..... **23-03**  
(52) **U.S. Cl.** ..... **D23/420**  
(58) **Field of Classification Search** ..... D23/331, D23/335-341, 343, 344, 346, 350, 386, 387, D23/390, 391, 393, 396-410, 415-421, 499; D7/335-337, 402, 407, 408; 126/12, 13.29, 126/44, 58, 92 AC, 144, 152 R, 215, 218, 126/219, 242, 243, 245, 500, 501, 509, 510, 126/544, 546, 548, 9 R; 428/15, 21, 102; 431/125, 258, 268, 298, 302; D6/416; 239/34, 239/44, 132.1, 145  
See application file for complete search history.

4,416,250 A \* 11/1983 Kuzia ..... 126/146  
D274,932 S \* 7/1984 Goodwin ..... D23/420  
4,476,608 A 10/1984 Rasmussen  
4,497,308 A 2/1985 Johnson  
D283,247 S \* 4/1986 Margiloff ..... D23/343  
4,597,375 A \* 7/1986 Pabis ..... 126/117  
4,704,764 A 11/1987 Metelko, Jr.  
4,747,178 A 5/1988 Breitbach  
4,807,590 A 2/1989 Evans  
4,858,536 A 8/1989 Guest et al.  
5,010,874 A 4/1991 Toth  
5,042,454 A \* 8/1991 Danise ..... 126/242  
5,311,637 A 5/1994 Broussard  
D364,946 S \* 12/1995 Stenovich ..... D32/1  
6,467,474 B2 \* 10/2002 Hermansen et al. .... 126/25 R  
6,898,821 B1 \* 5/2005 Bisbee et al. .... 15/353  
D519,203 S \* 4/2006 Haas et al. .... D23/405

\* cited by examiner

*Primary Examiner*—Robert M Spear  
*Assistant Examiner*—Karen Acker

(57) **CLAIM**

The ornamental design for an ash catching apparatus, as shown and described.

(56) **References Cited**

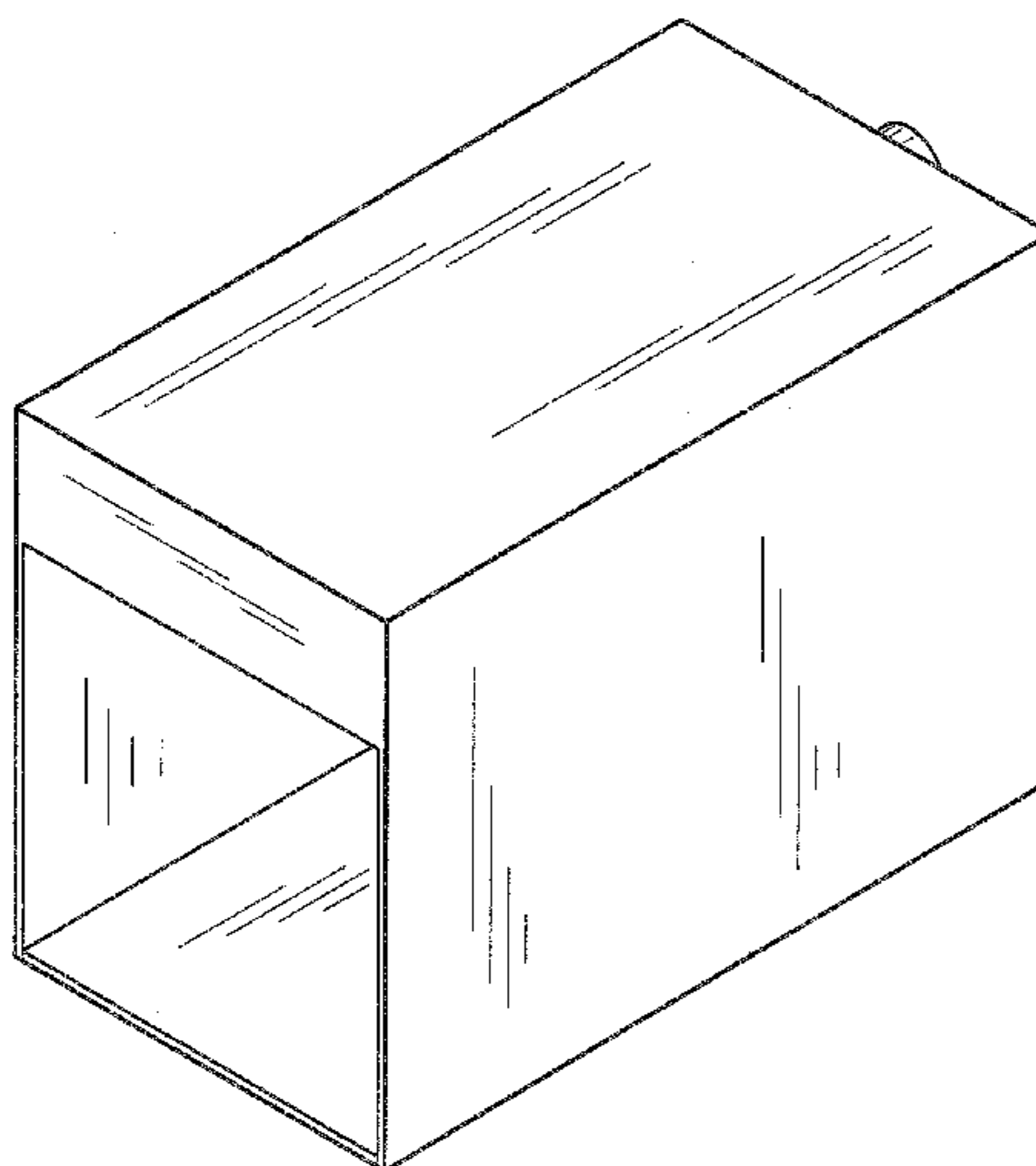
**U.S. PATENT DOCUMENTS**

D24,741 S \* 10/1895 Paulman et al. .... D23/420  
744,570 A \* 11/1903 Le Beau ..... 454/12  
907,795 A \* 12/1908 Harvey ..... 126/242  
1,095,276 A \* 5/1914 Gnoth ..... 126/242  
1,461,496 A \* 7/1923 Quist ..... 126/1 R  
1,679,856 A 8/1928 Ditsch et al.  
1,685,339 A \* 9/1928 Randolph ..... 110/313  
2,646,031 A \* 7/1953 Wagner ..... 126/9 R  
3,266,478 A \* 8/1966 Booth ..... 126/25 R  
4,154,210 A 5/1979 Jaymes et al.  
D257,593 S \* 12/1980 Vogel ..... D23/403  
D258,006 S \* 1/1981 Hansmeyer ..... D23/420  
4,344,411 A \* 8/1982 Dearborn ..... 126/34  
4,348,818 A \* 9/1982 Brown ..... 34/77  
D267,539 S \* 1/1983 Russo ..... D23/410

**DESCRIPTION**

FIG. 1 is a perspective view from the top front of an ash catching apparatus;  
FIG. 2 is a front view thereof;  
FIG. 3 is a back view thereof;  
FIG. 4 is a side view thereof;  
FIG. 5 is a top and bottom view thereof; and  
FIG. 6 is a cross sectional view taken along the line 6—6 in FIG. 2; and,  
FIG. 7 is a perspective view from the bottom front, thereof.

**1 Claim, 4 Drawing Sheets**



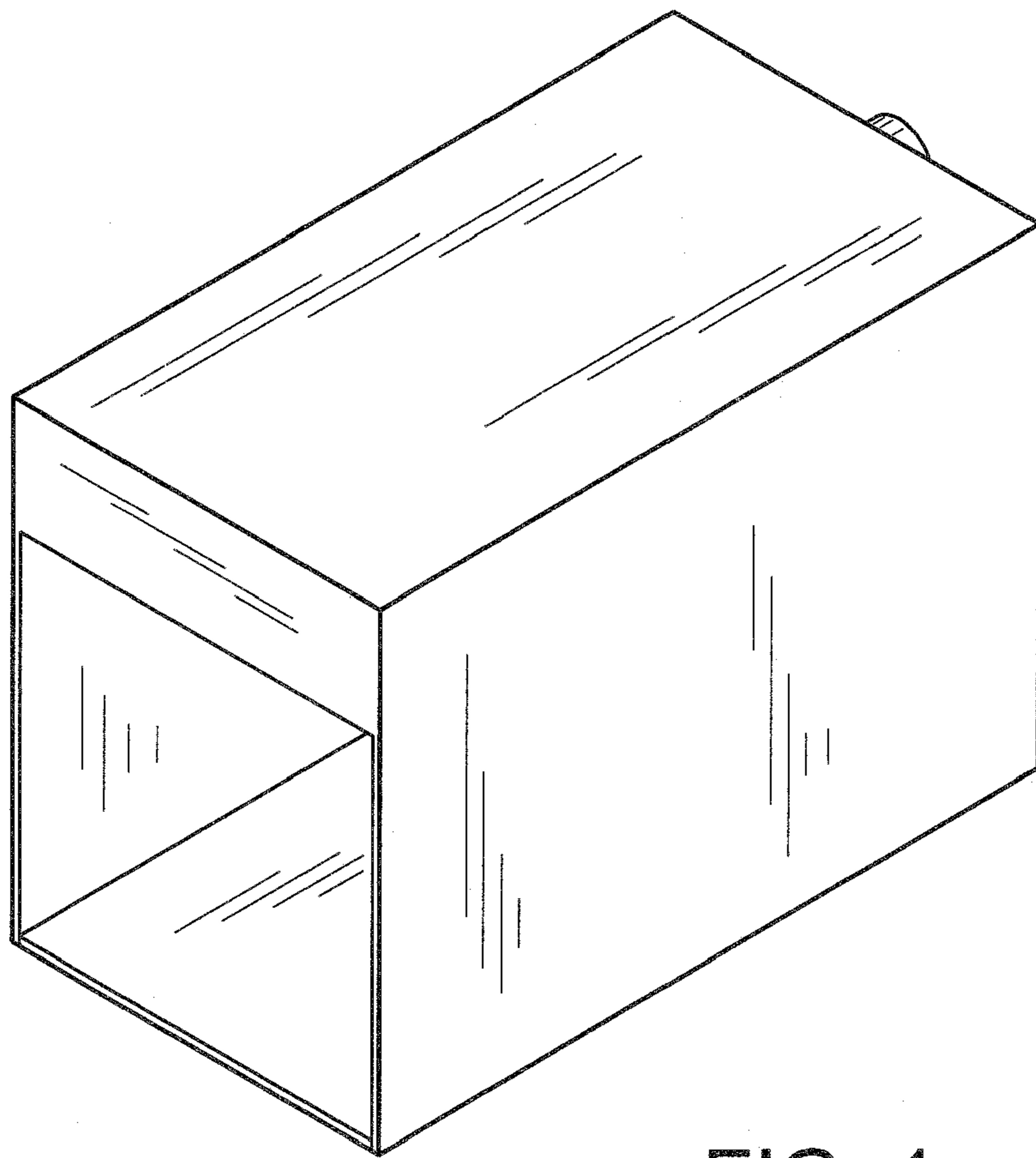


FIG. 1

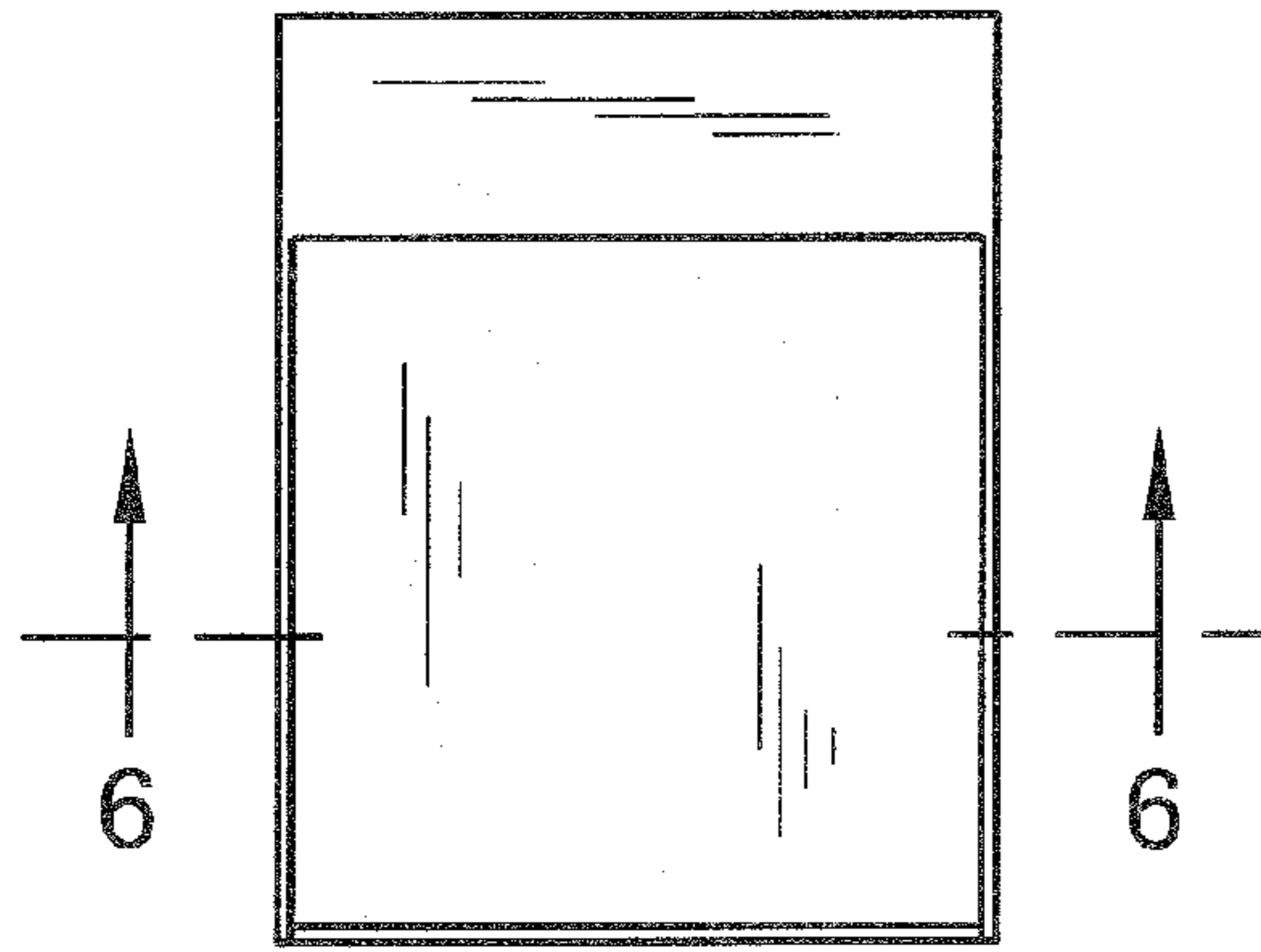


FIG. 2

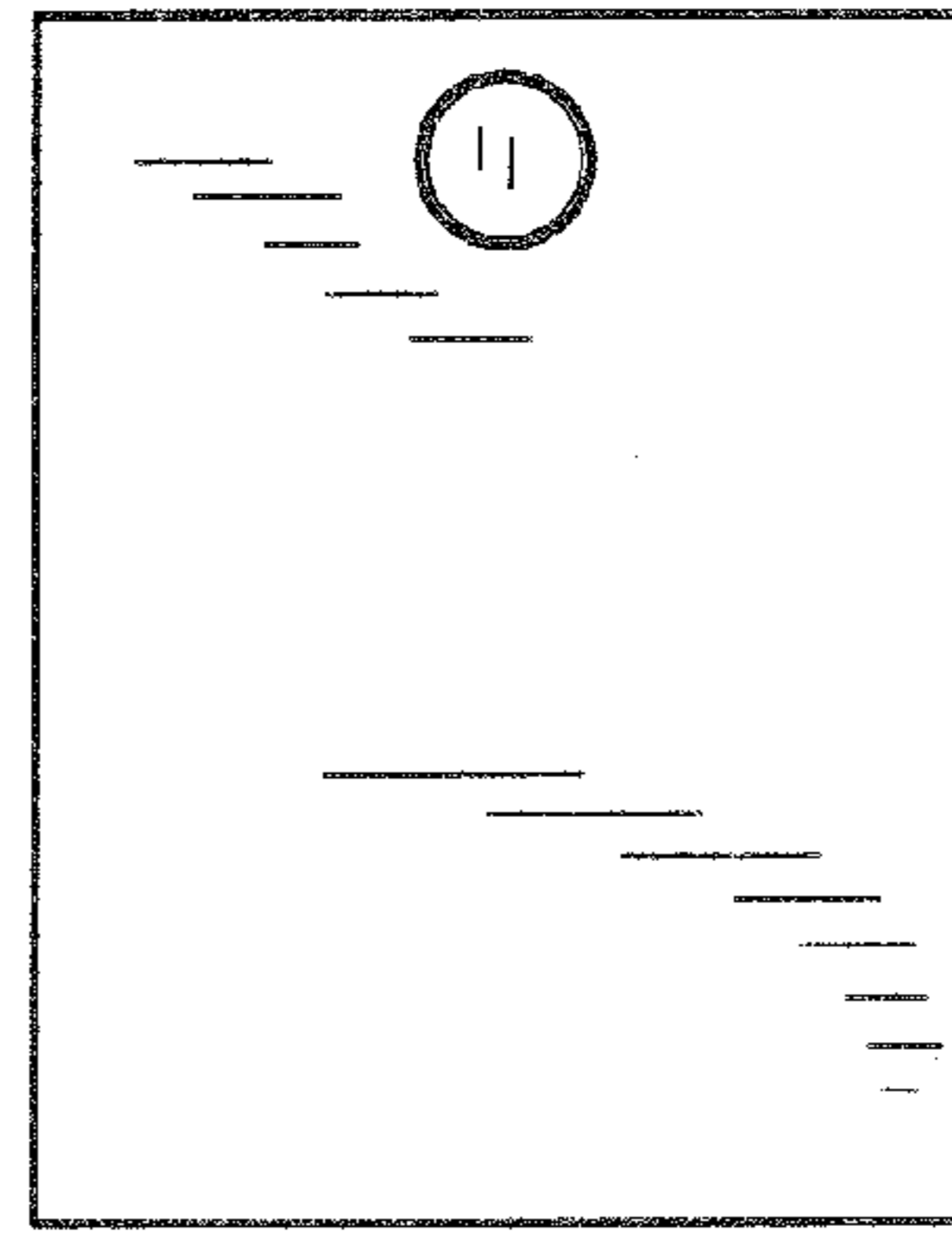


FIG. 3

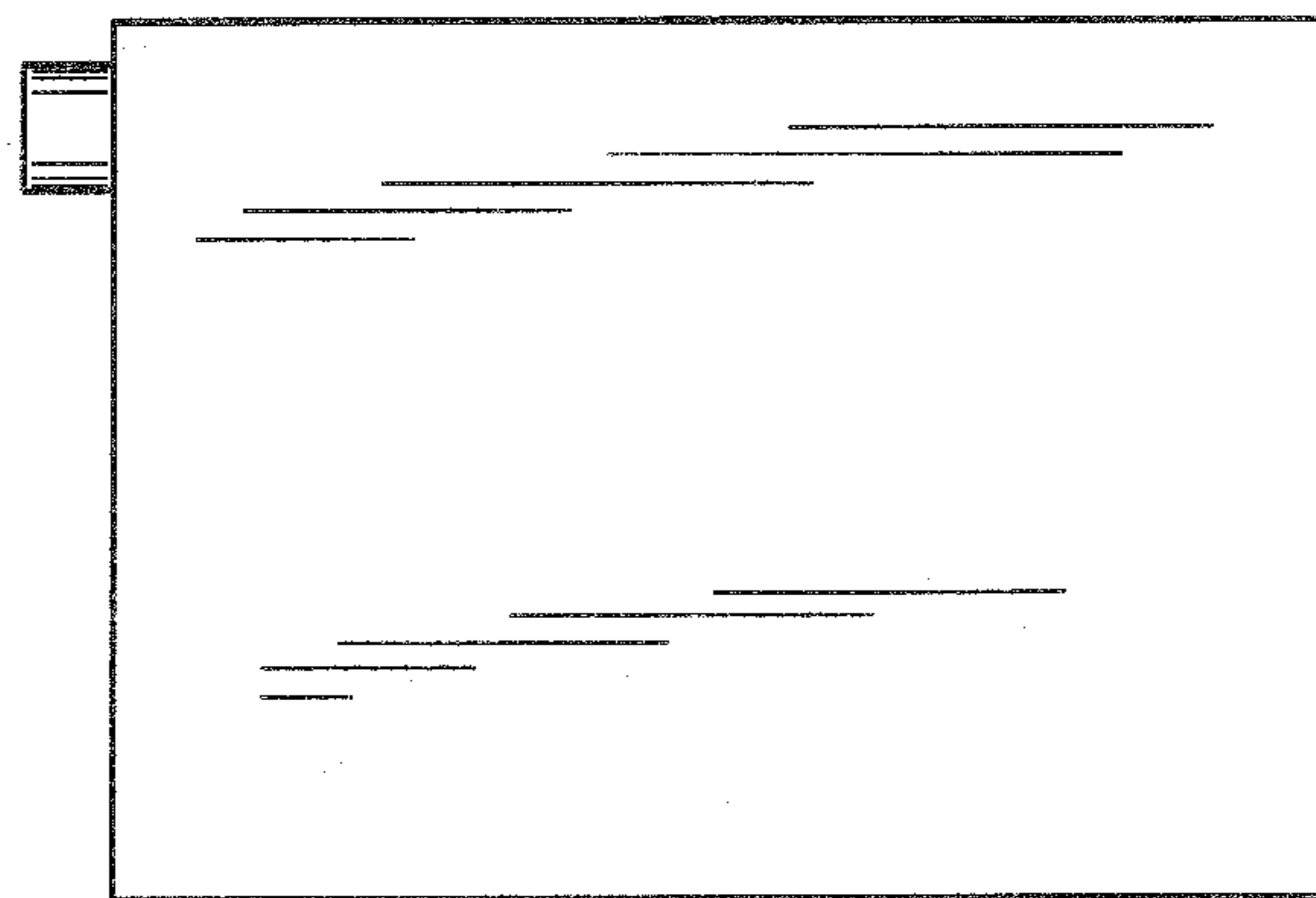


FIG. 4

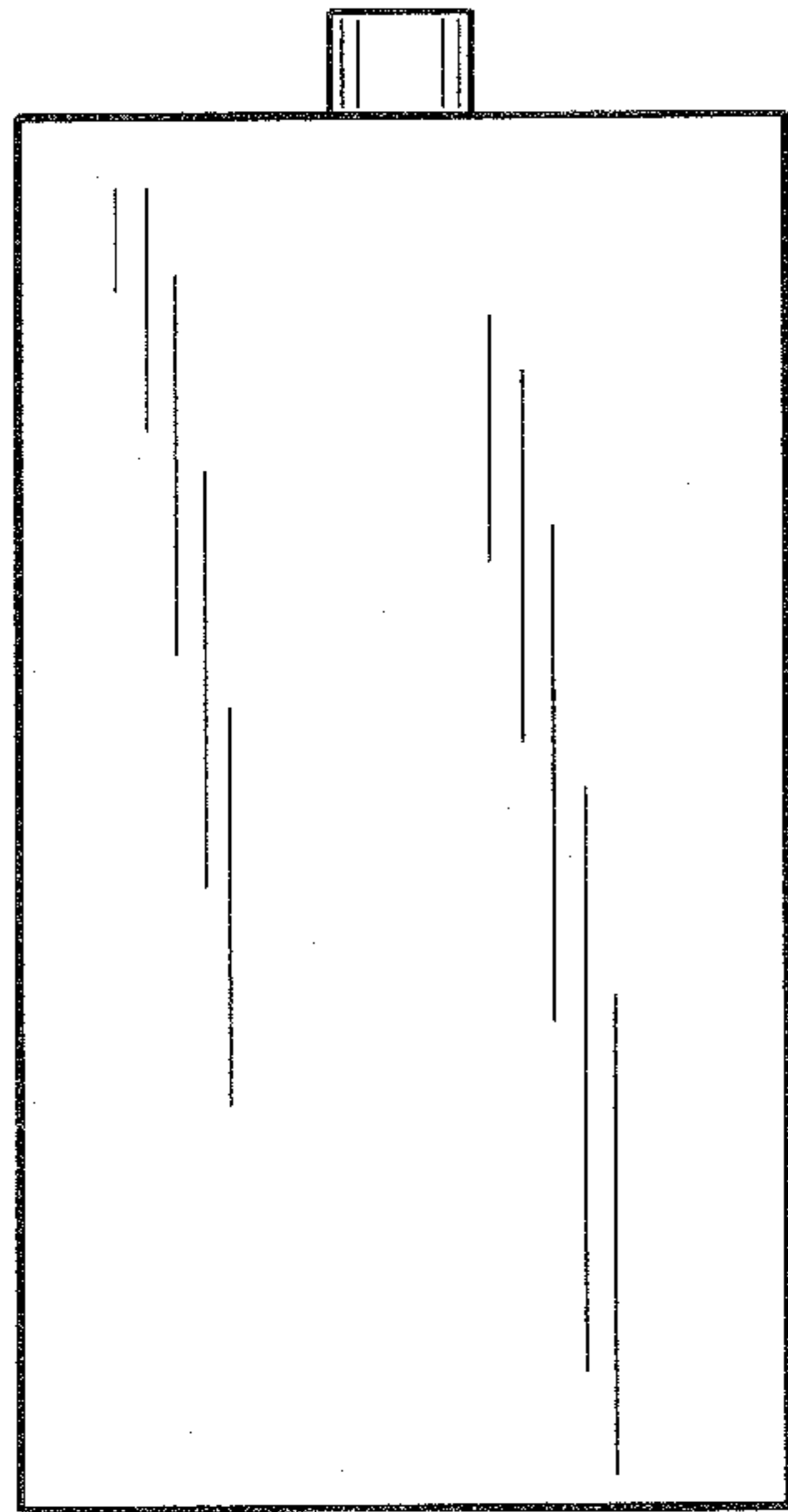


FIG. 5

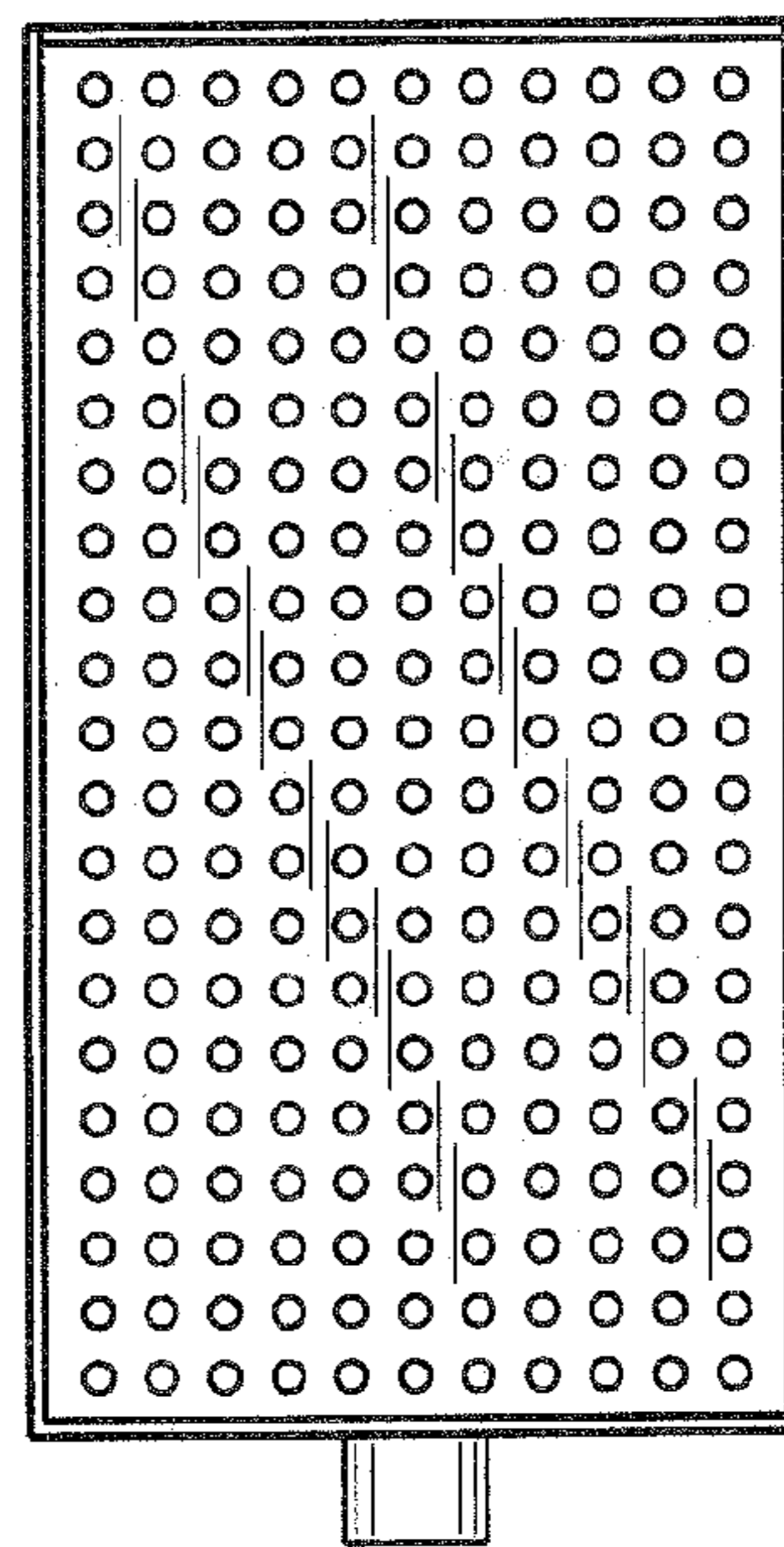


FIG. 6

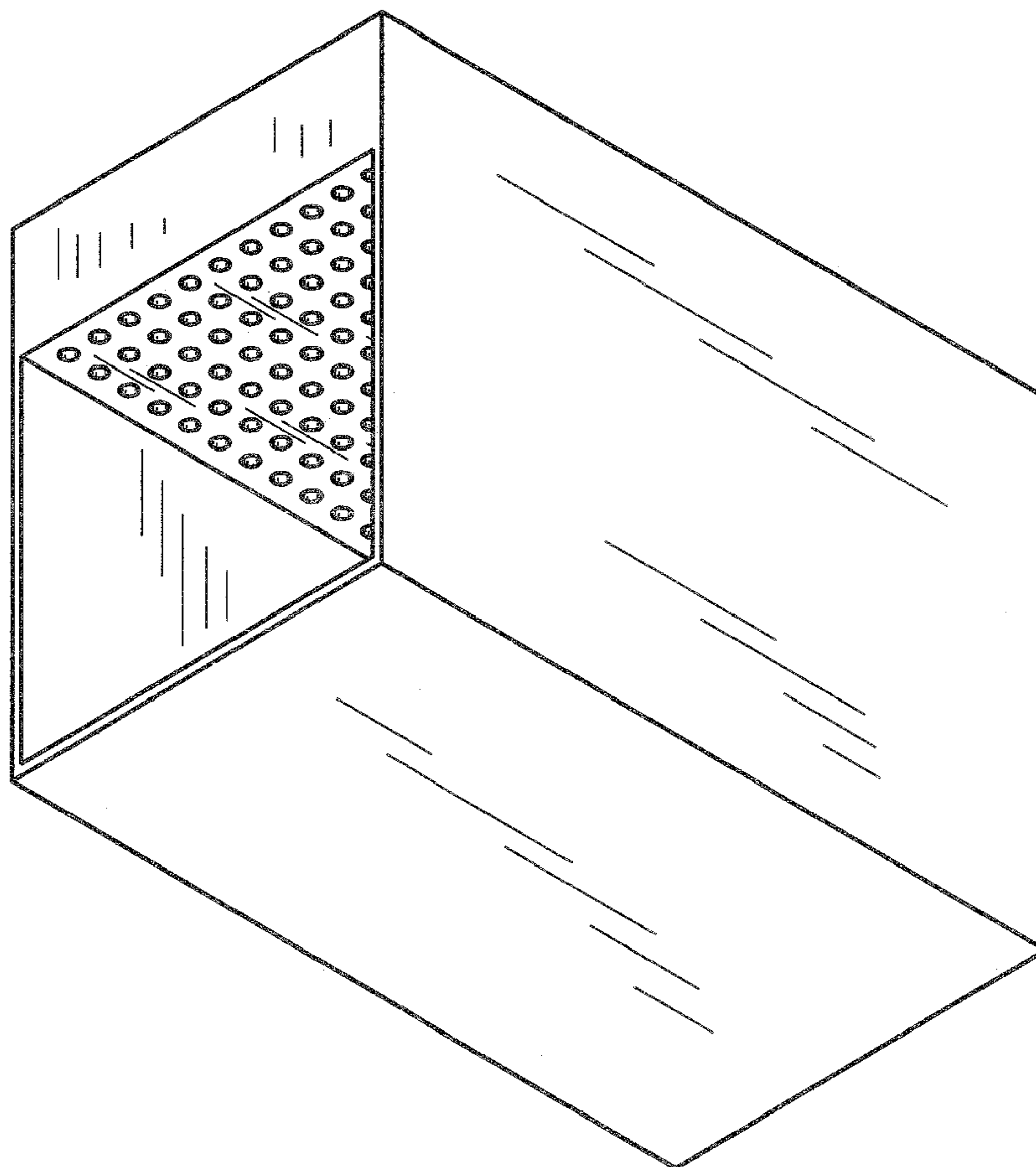


FIG. 7