



US00D612038S

(12) **United States Design Patent**
Jörgensen

(10) **Patent No.:** **US D612,038 S**
(45) **Date of Patent:** **** Mar. 16, 2010**

(54) **AROMATIC NEBULIZING DIFFUSER WITH
AUTO-LIGHT REGULATOR,
TIME-REGULATOR AND MUSIC PLAYER**

Primary Examiner—Sandra Snapp
(74) *Attorney, Agent, or Firm*—Ming Chow; Sinorica, LLC

(75) Inventor: **Carsten Jörgensen**, Kastanienbaum
(CH)

(57) **CLAIM**

The ornamental design for an aromatic nebulizing diffuser with auto-light regulator, time-regulator and music player, as shown and described.

(73) Assignee: **Ming Jen Hsiao**, Miaoli County (TW)

(**) Term: **14 Years**

DESCRIPTION

(21) Appl. No.: **29/344,207**

FIG. 1 is a perspective view of the aromatic nebulizing diffuser with auto-light regulator, time-regulator and music player embodying the design;

(22) Filed: **Sep. 25, 2009**

FIG. 2 is a front view of the aromatic nebulizing diffuser with auto-light regulator, time-regulator and music player embodying the design shown in FIG. 1;

(51) **LOC (9) Cl.** **28-99**

(52) **U.S. Cl.** **D23/366**

(58) **Field of Classification Search** D23/355–369;
D28/5, 6; 261/DIG. 17, DIG. 42, DIG. 65,
261/DIG. 88, DIG. 89; 392/386, 390, 391,
392/392, 394, 395; 239/34, 35, 43–45, 53,
239/56, 57, 60, 326

FIG. 3 is a rear view of the aromatic nebulizing diffuser with auto-light regulator, time-regulator and music player embodying the design shown in FIG. 1;

See application file for complete search history.

FIG. 4 is a left side view of the aromatic nebulizing diffuser with auto-light regulator, time-regulator and music player embodying the design shown in FIG. 1;

(56) **References Cited**

U.S. PATENT DOCUMENTS

D448,214 S *	9/2001	Jeffery	D6/481
D455,486 S *	4/2002	Makino	D23/366
D488,547 S *	4/2004	McKenna	D23/366
D504,676 S *	5/2005	Borsboom	D14/218
D504,842 S *	5/2005	Umeda et al.	D11/131.1
D515,682 S *	2/2006	LaBlaine	D23/366
D520,623 S *	5/2006	Lablaine	D23/366
RE39,387 E *	11/2006	Shin	D9/529
D562,957 S *	2/2008	Feriani et al.	D23/366
D562,958 S *	2/2008	Feriani et al.	D23/366
D592,948 S *	5/2009	Mayer	D9/418

FIG. 5 is a right side view of the aromatic nebulizing diffuser with auto-light regulator, time-regulator and music player embodying the design shown in FIG. 1;

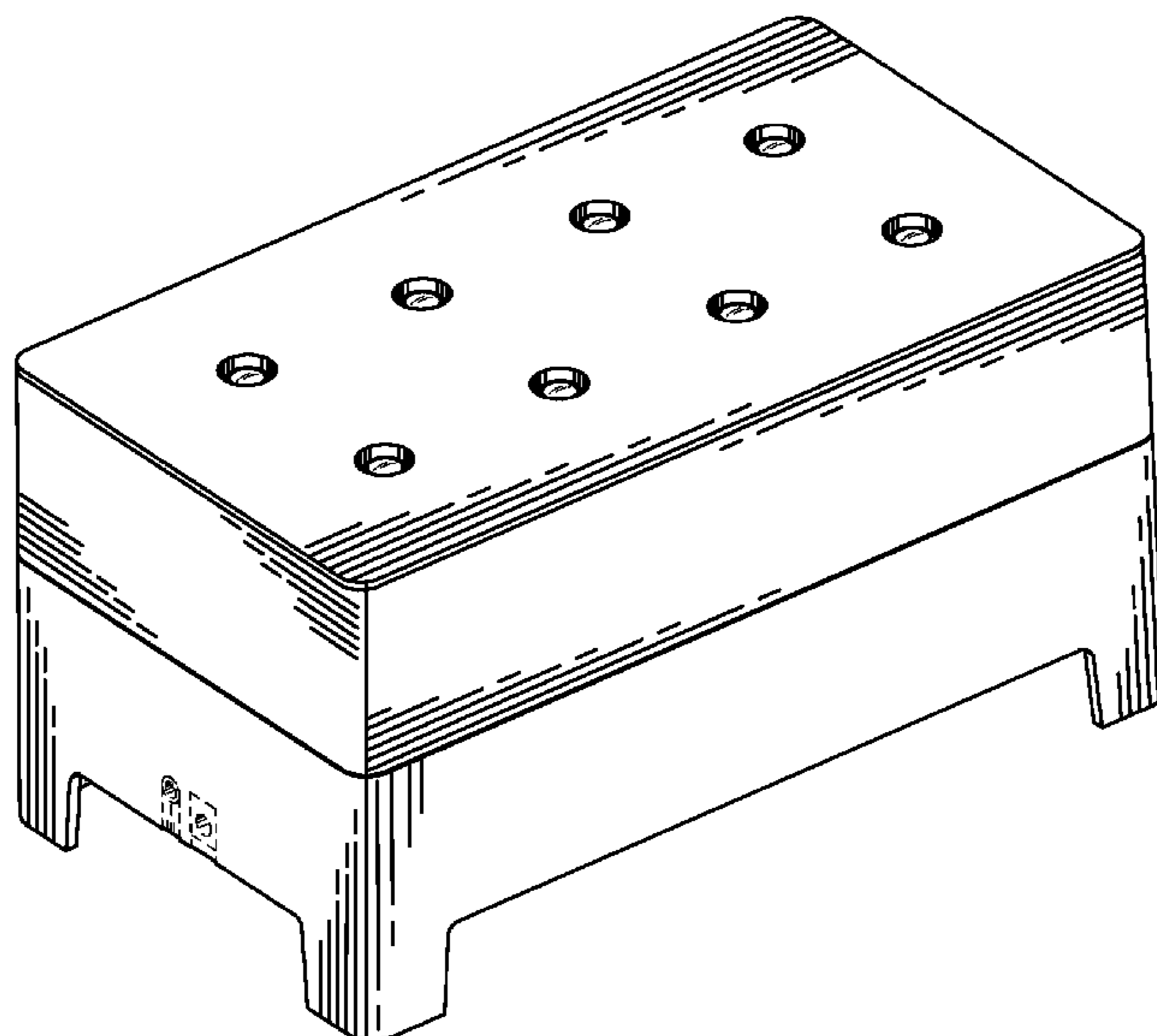
FIG. 6 is a top plan of the aromatic nebulizing diffuser with auto-light regulator, time-regulator and music player embodying the design shown in FIG. 1; and,

FIG. 7 is a bottom view of the aromatic nebulizing diffuser with auto-light regulator, time-regulator and music player embodying the design.

The broken lines are included for the purpose of illustrating portions of the aromatic nebulizing diffuser with auto-light regulator, time-regulator and music player that form no part of the claimed design.

* cited by examiner

1 Claim, 7 Drawing Sheets



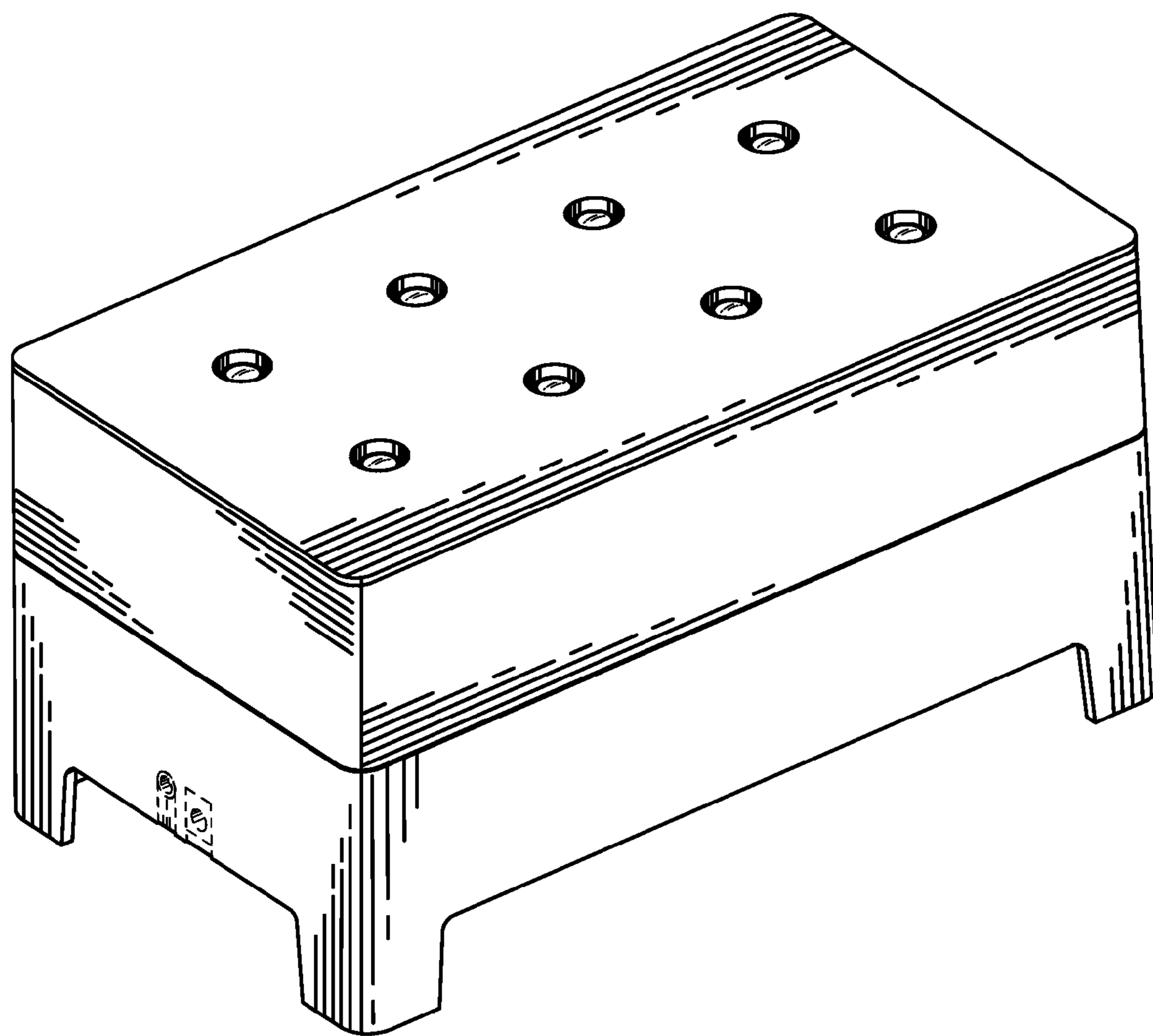


FIG. 1

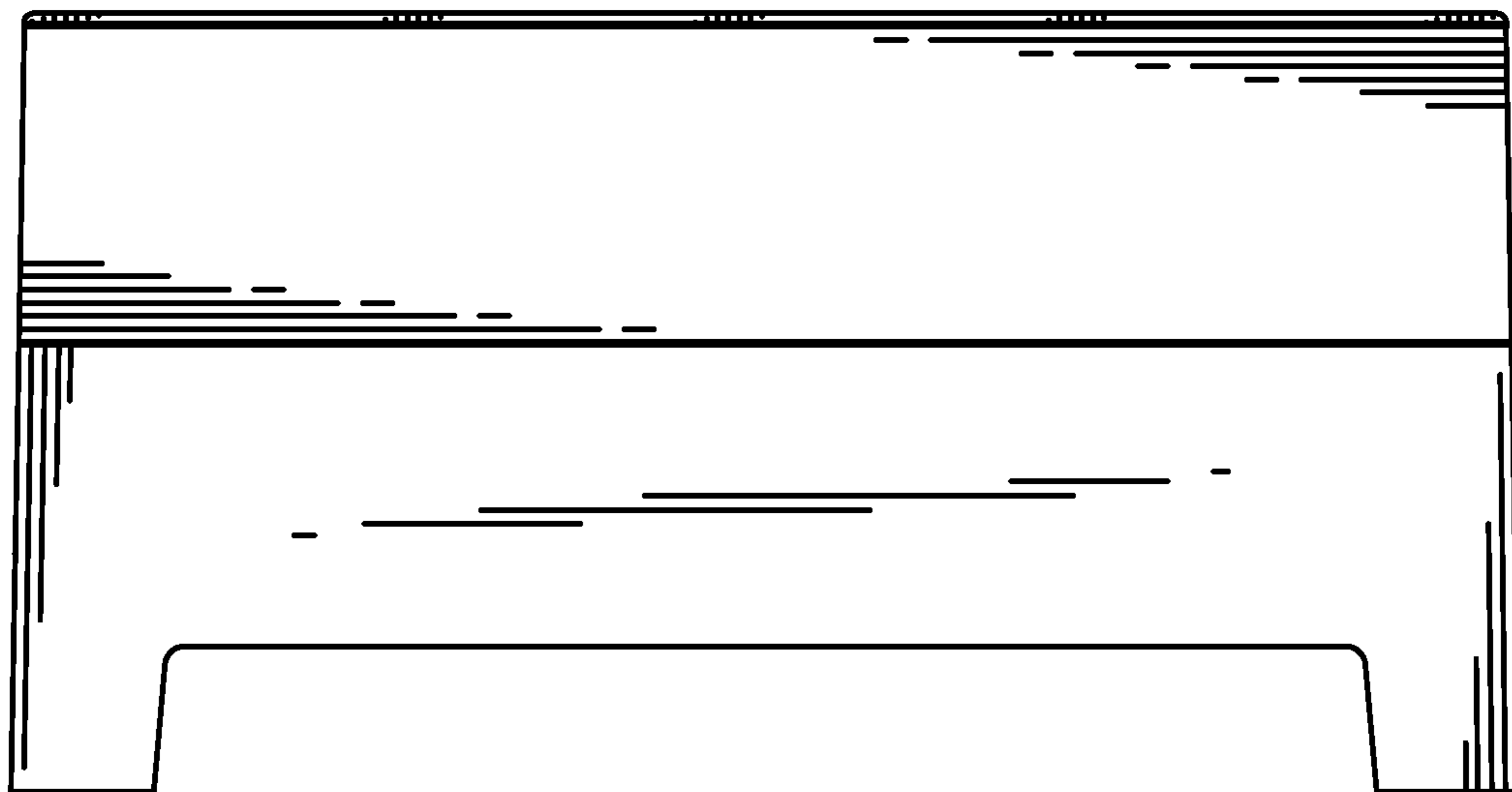


FIG. 2



FIG. 3

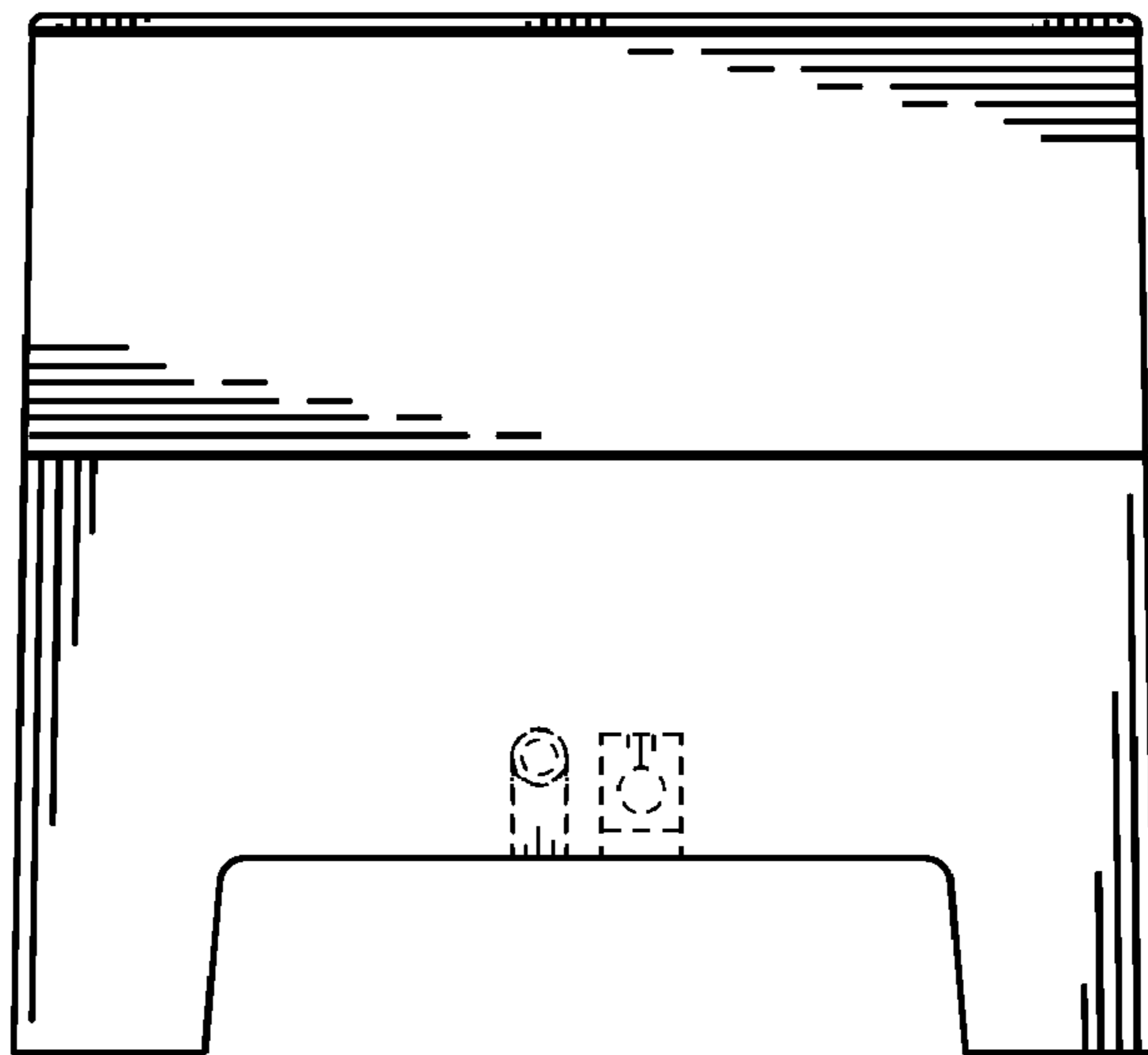


FIG. 4

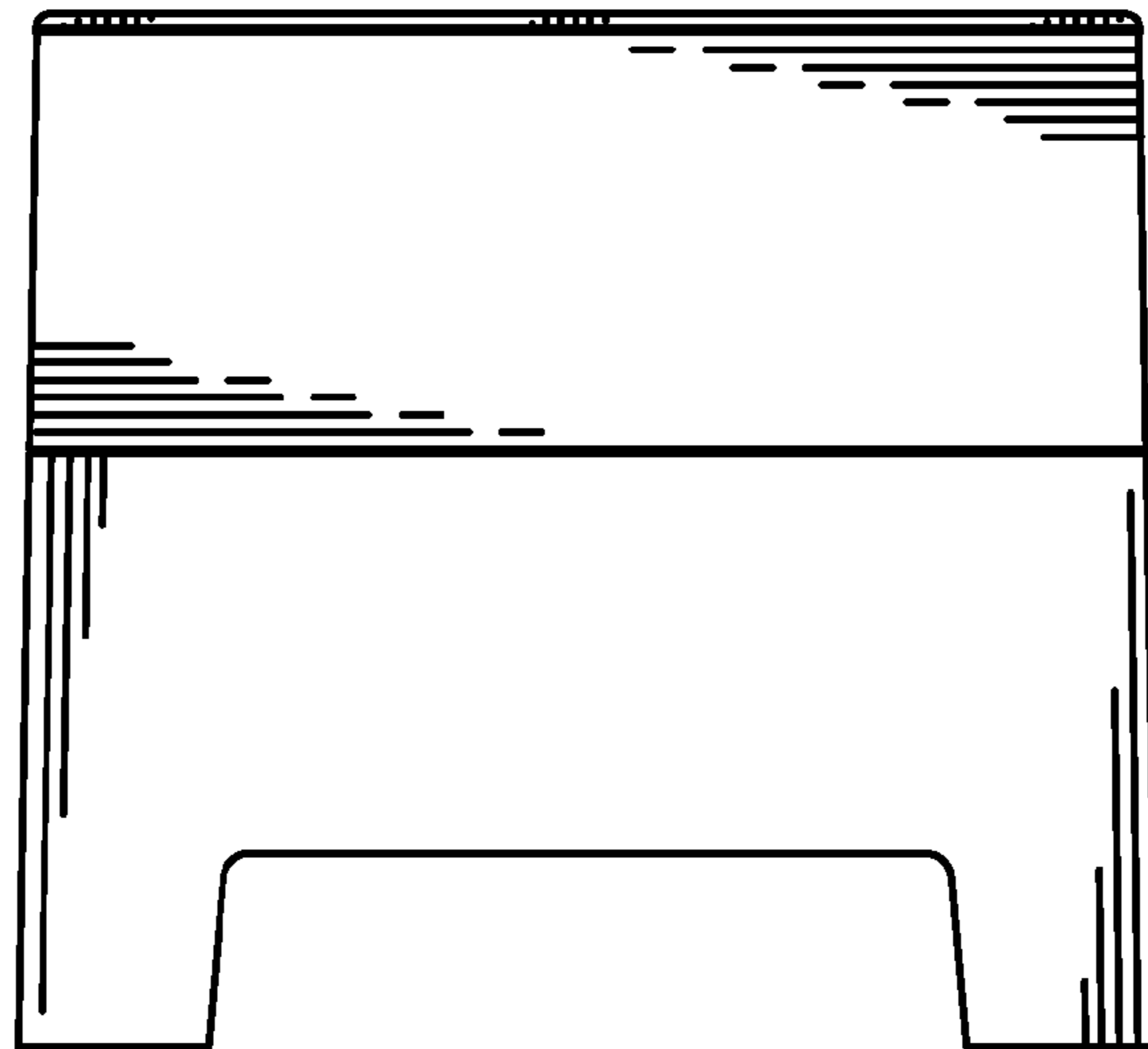


FIG. 5

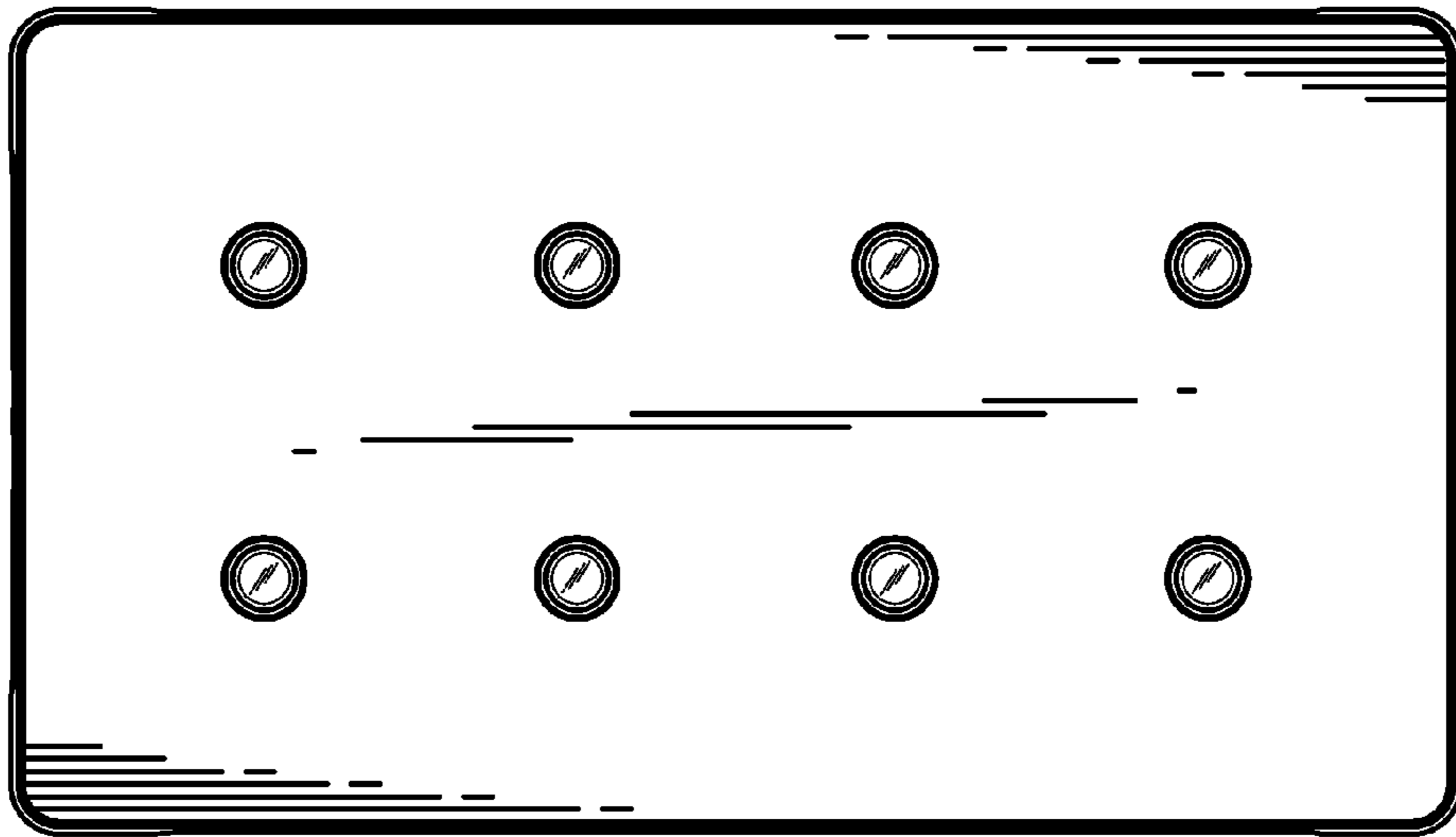


FIG. 6

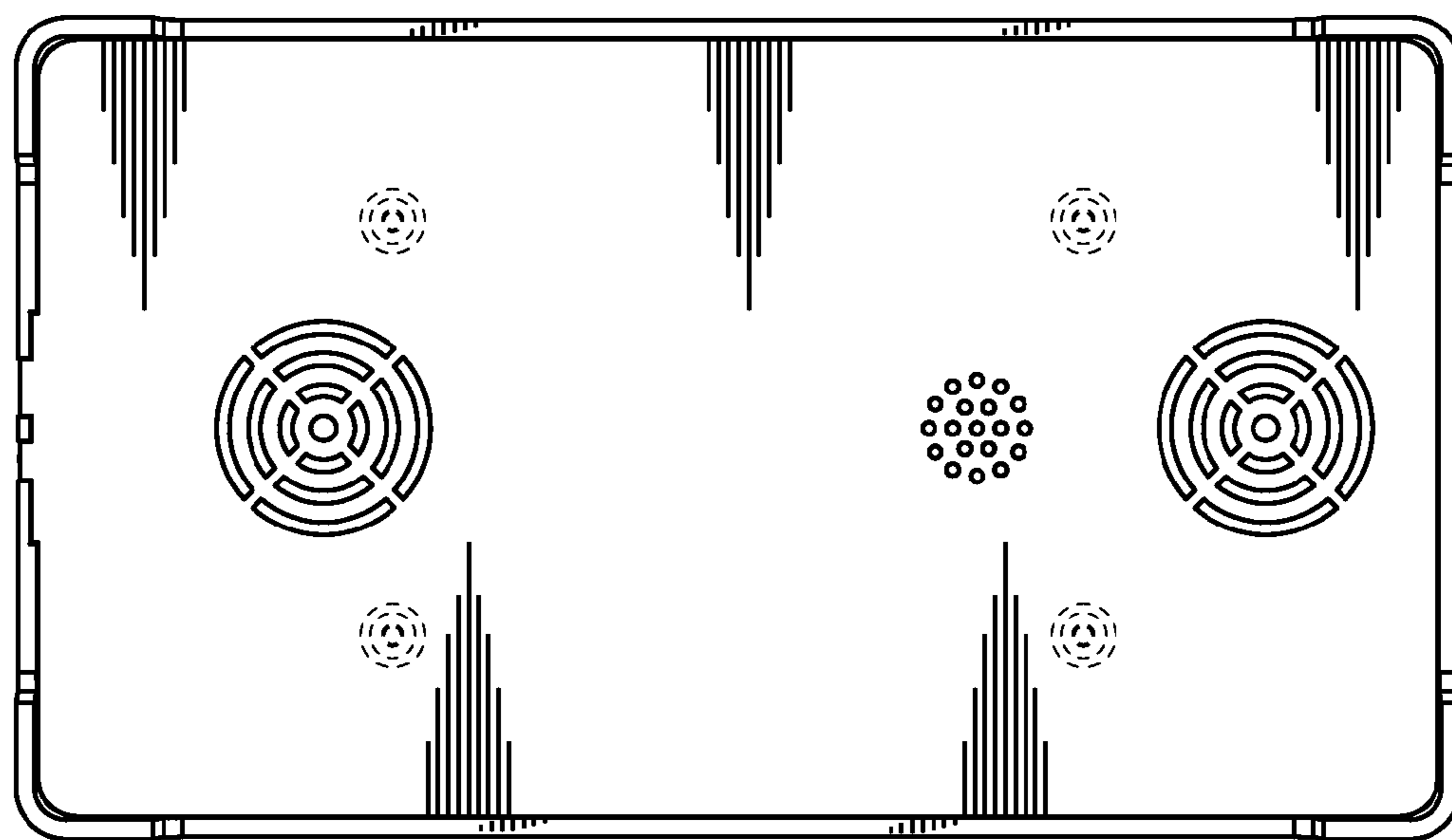


FIG. 7