



US00D612036S

(12) **United States Design Patent**
Ching

(10) **Patent No.:** **US D612,036 S**
(45) **Date of Patent:** **** Mar. 16, 2010**

(54) **AIR FILTER**

(75) Inventor: **Chan Ching**, Taipei Hsien (TW)

(73) Assignee: **Perfect Union Co., Ltd.**, Taipei Hsien (TW)

(**) Term: **14 Years**

(21) Appl. No.: **29/335,524**

(22) Filed: **Apr. 16, 2009**

(51) **LOC (9) Cl.** **23-04**

(52) **U.S. Cl.** **D23/365**

(58) **Field of Classification Search** D23/362-366,
D23/351-356, 358-360, 369, 386, 341, 332-336,
D23/342; 55/385.3, 502, 497, 506, 505,
55/521, 495, 422, 493, DIG. 30, 356, 473,
55/504; 210/497.1; 422/120, 122; 96/97;
D14/188, 170, 172, 496; 261/DIG. 17, DIG. 65,
261/DIG. 88, DIG. 31
See application file for complete search history.

(56) **References Cited**

U.S. PATENT DOCUMENTS

D328,343 S *	7/1992	Cheng	D23/364
D367,058 S *	2/1996	Isonaga	D14/172
D408,411 S *	4/1999	Hakoda	D14/188
D426,627 S *	6/2000	Cho	D23/355
D427,301 S *	6/2000	Sato et al.	D23/364
D431,074 S *	9/2000	Deros	D23/364
D486,896 S *	2/2004	Long et al.	D23/332

D493,215 S *	7/2004	Asaoka et al.	D23/351
D519,982 S *	5/2006	Haase et al.	D14/188
D552,226 S *	10/2007	Huang	D23/364
D583,450 S *	12/2008	Choi	D23/364
D595,828 S *	7/2009	Schwartz et al.	D23/366
D596,615 S *	7/2009	Wilson	D14/188

* cited by examiner

Primary Examiner—T. Chase Nelson

Assistant Examiner—David G Muller

(74) *Attorney, Agent, or Firm*—Guice Patents PLLC

(57) **CLAIM**

The ornamental design for an air filter, as shown and described.

DESCRIPTION

FIG. 1 is a top front and left side perspective view of air filter showing my new design;

FIG. 2 is a front elevational view thereof;

FIG. 3 is a rear elevational view thereof;

FIG. 4 is a left side elevational view thereof;

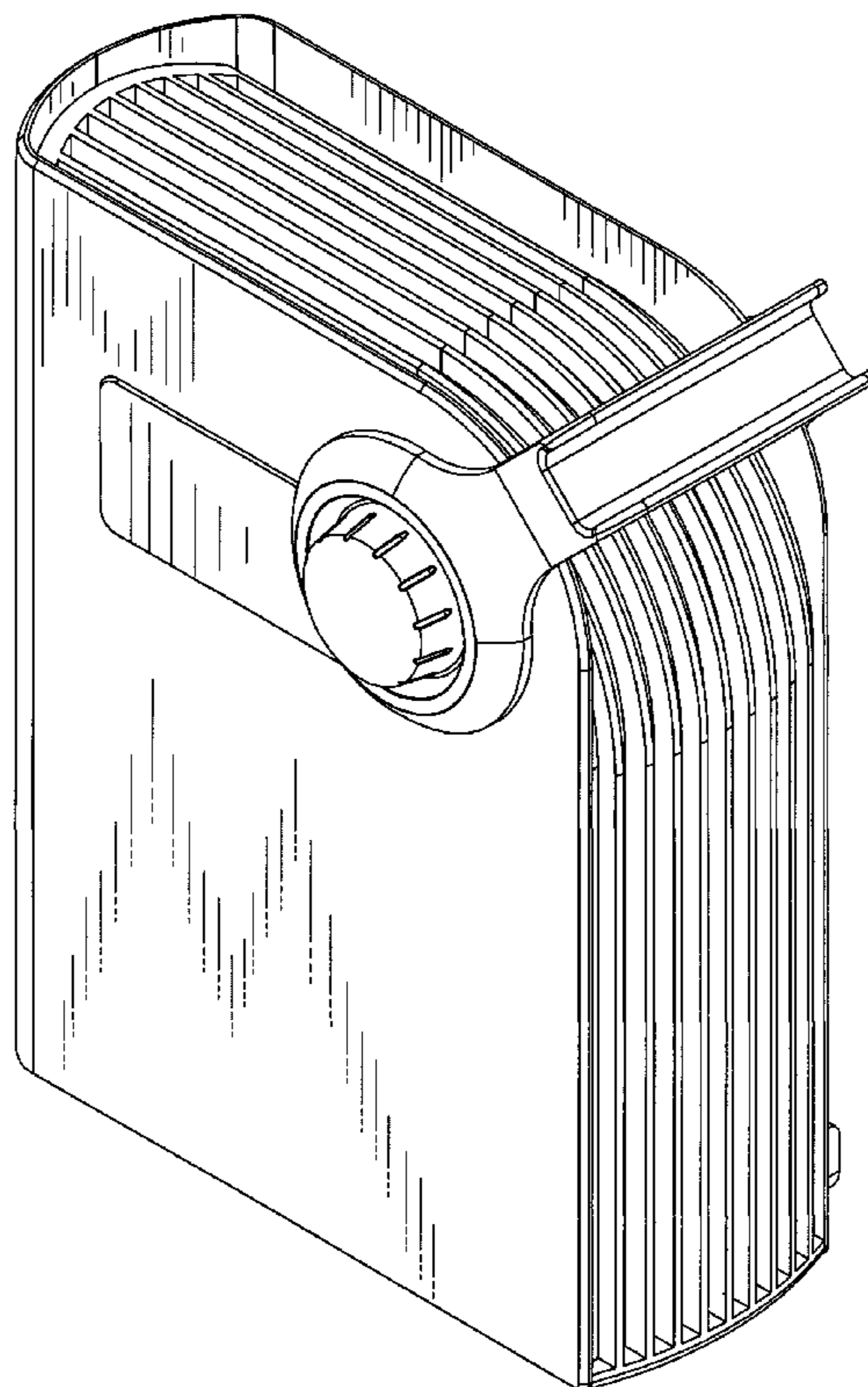
FIG. 5 is a right side elevational view thereof;

FIG. 6 is a top plan view thereof; and,

FIG. 7 is a bottom plan view thereof.

The broken lines depict portions of the air filter that form no part of the claimed design.

1 Claim, 5 Drawing Sheets



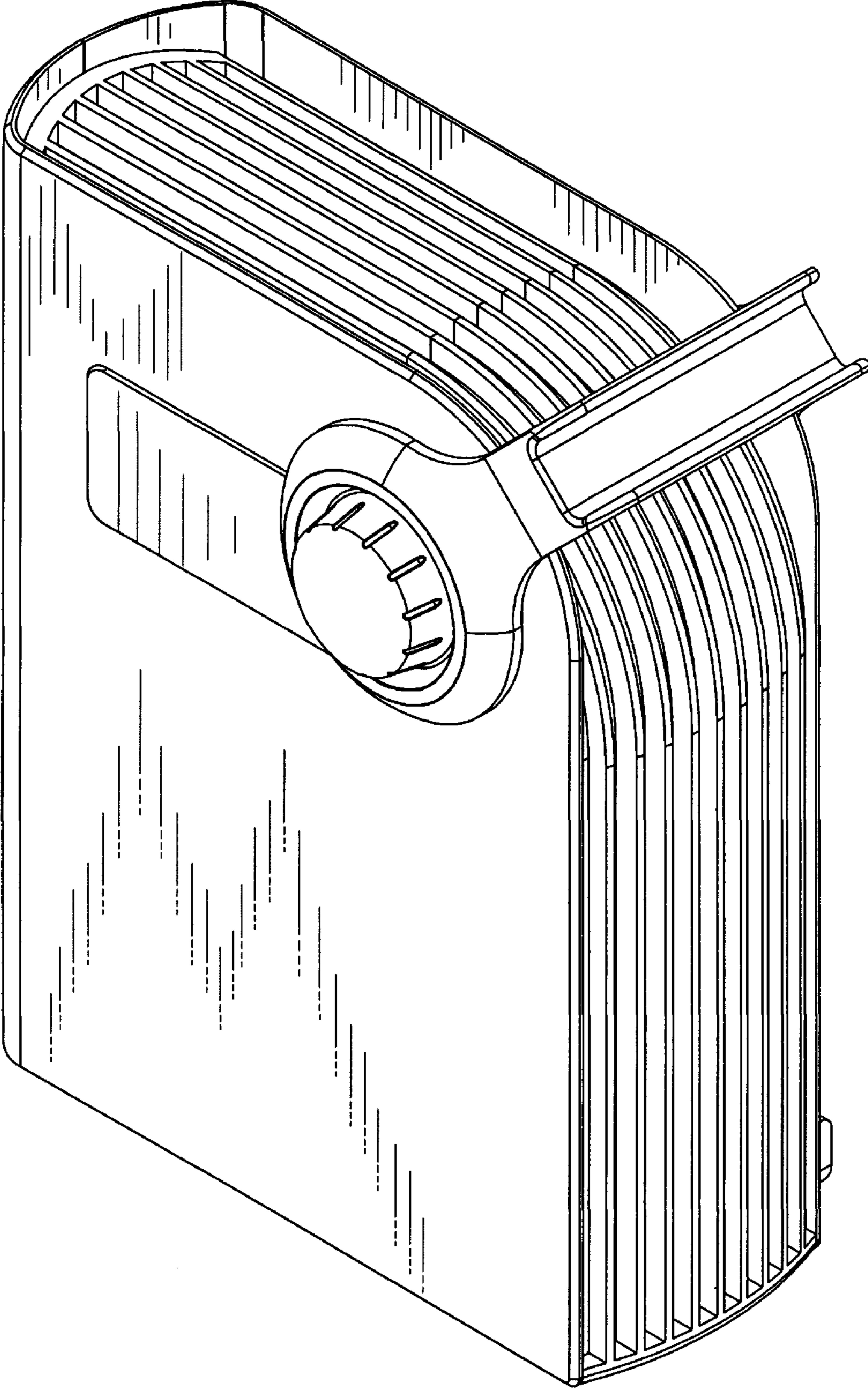


Fig. 1

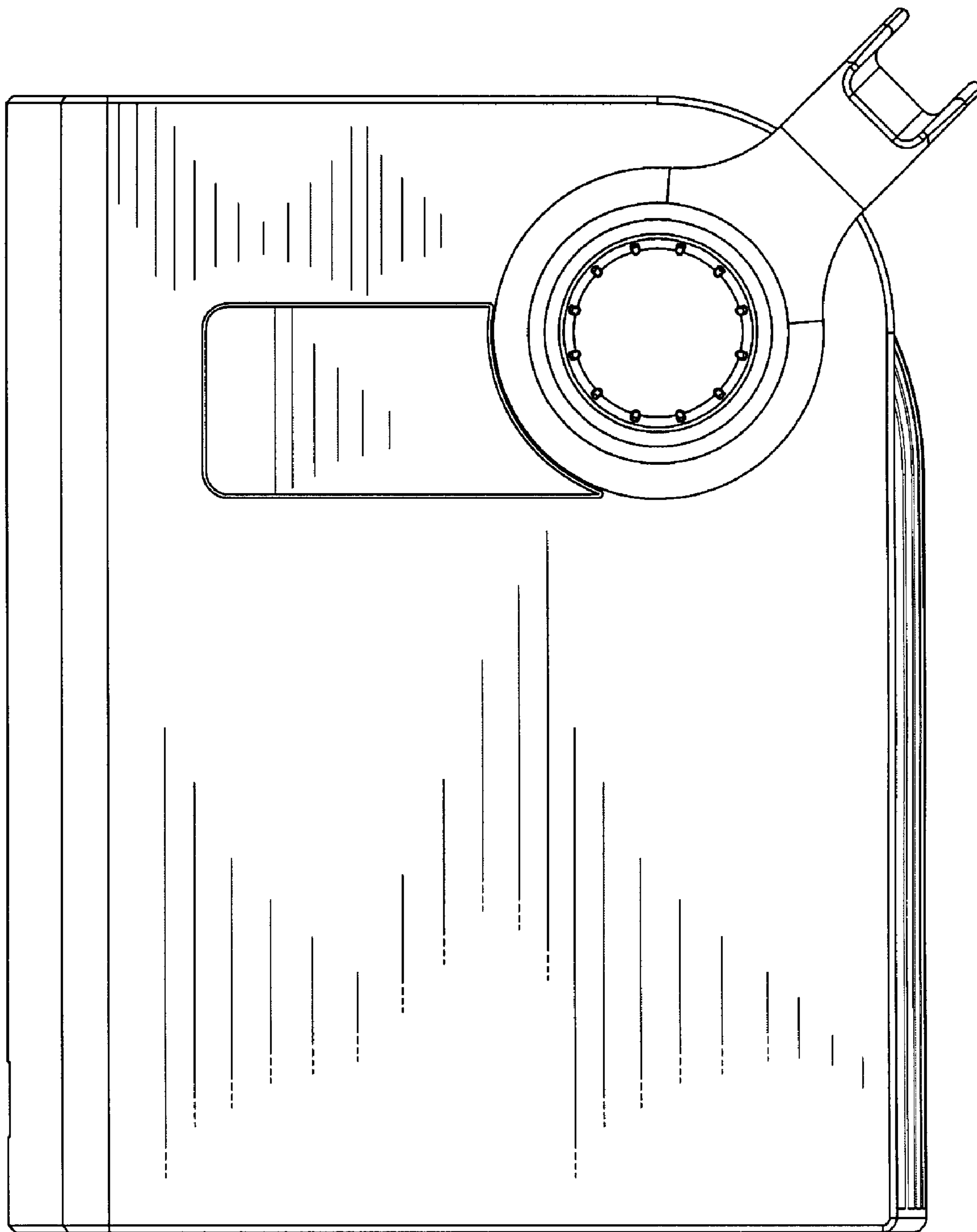


Fig.2

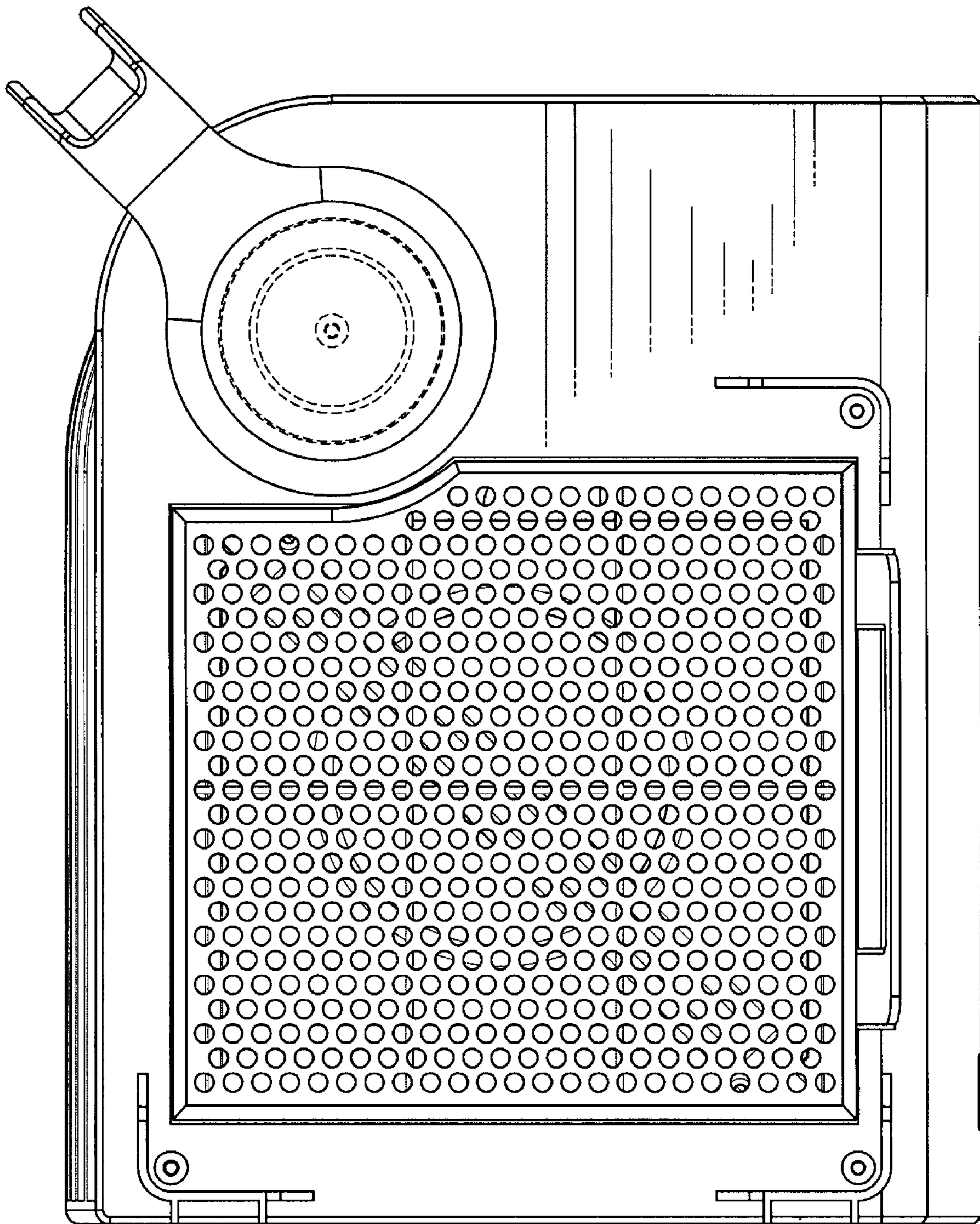


Fig.3

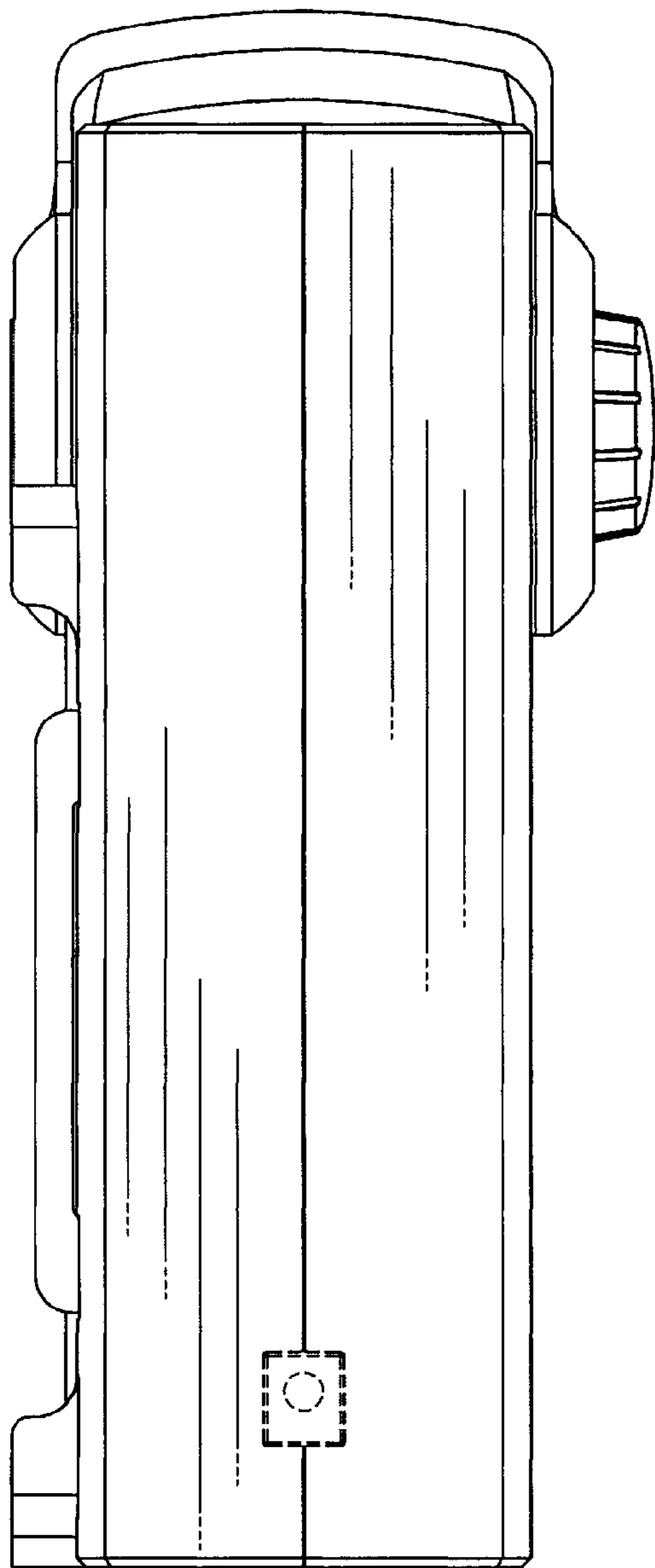


Fig.4

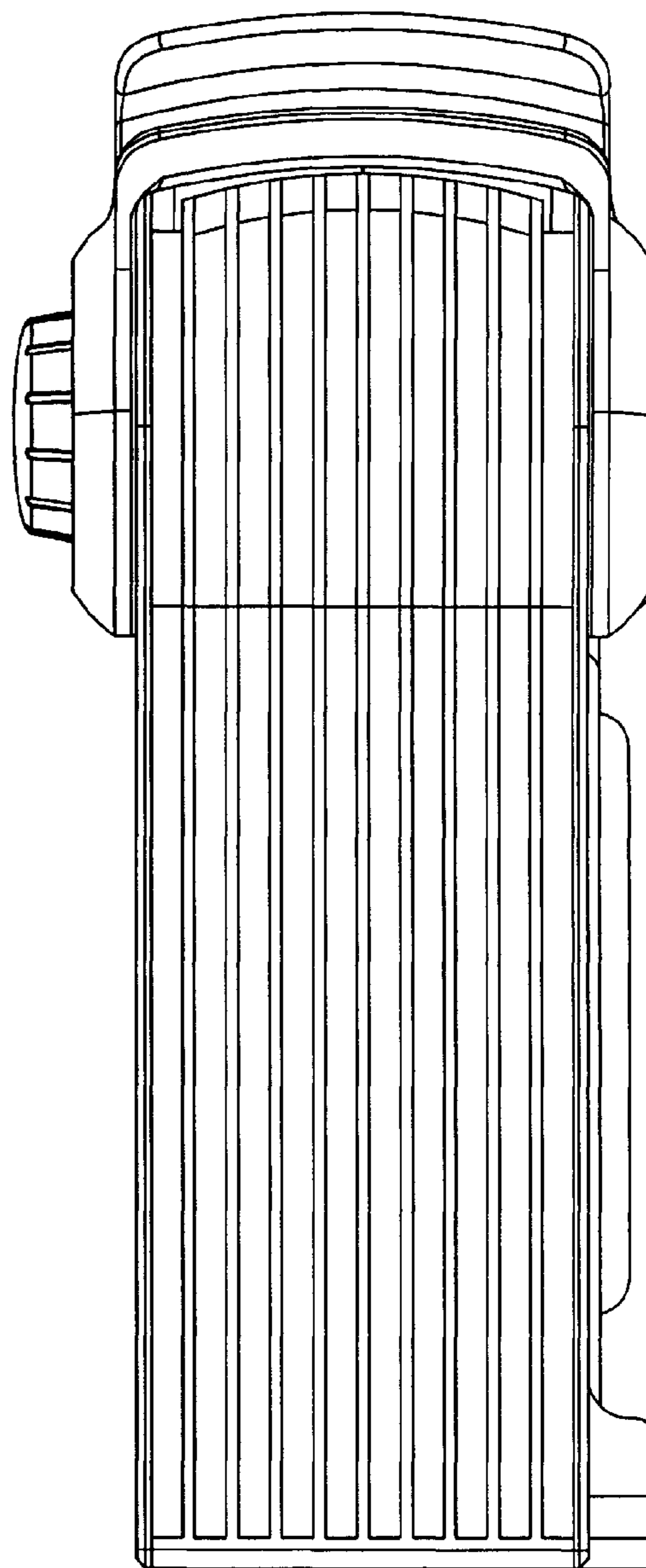


Fig.5

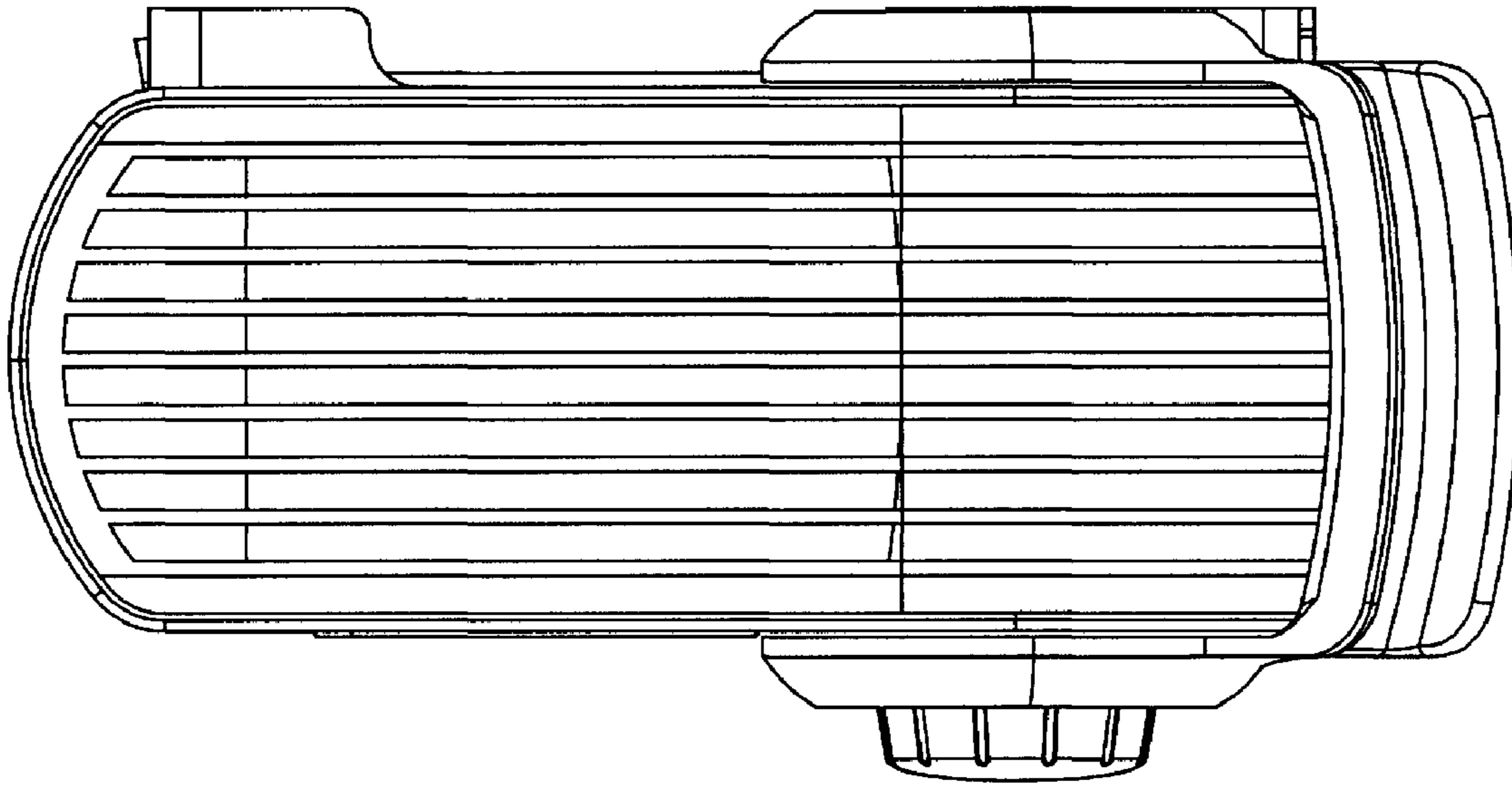


Fig.6

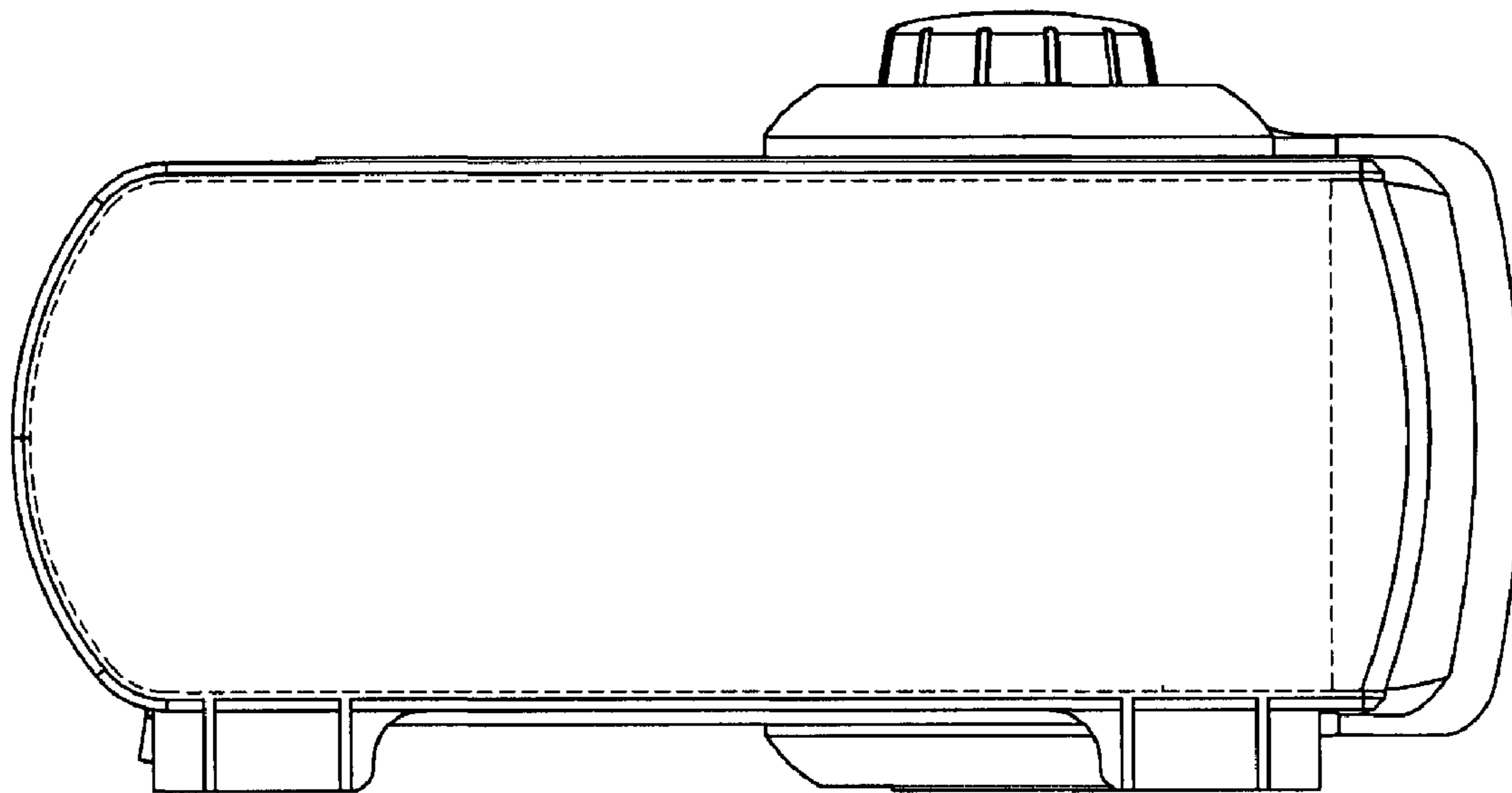


Fig.7