



US00D612035S

(12) **United States Design Patent**
Borgi

(10) **Patent No.:** **US D612,035 S**
(45) **Date of Patent:** **** Mar. 16, 2010**

(54) **APPARATUS FOR AIR STERILIZATION**

(75) Inventor: **Richard Borgi**, Labege (FR)

(73) Assignee: **Gloster Europe**, Labege (FR)

(**) Term: **14 Years**

(21) Appl. No.: **29/336,306**

(22) Filed: **Apr. 30, 2009**

(51) **LOC (9) Cl.** **23-04**

(52) **U.S. Cl.** **D23/355**

(58) **Field of Classification Search** D23/364,
D23/355, 356, 359, 360, 362, 352, 366, 369,
D23/332, 333, 335, 336, 342, 351, 386; 422/120,
422/122; 55/356, 473, 504; 96/97; D14/188,
D14/170, 172, 496; 261/DIG. 17, DIG. 65,
261/DIG. 88, DIG. 31; D18/4.4, 4.6; D99/28
See application file for complete search history.

(56) **References Cited**

U.S. PATENT DOCUMENTS

- 4,710,851 A * 12/1987 Pastecki D23/386
- D360,734 S * 7/1995 Hall D99/28
- D360,735 S * 7/1995 Hall D99/28
- D388,231 S * 12/1997 Magee et al. D99/28
- D448,910 S * 10/2001 Kit et al. D99/28
- D451,084 S * 11/2001 Su D14/188

- D462,754 S * 9/2002 Briggs et al. D23/364
- D521,490 S * 5/2006 VanWambeke D14/188
- D534,705 S * 1/2007 Kang et al. D99/28
- D534,999 S * 1/2007 Hussaini et al. D23/335
- D538,505 S * 3/2007 Kang et al. D99/28
- D596,373 S * 7/2009 Kang et al. D99/28
- D597,065 S * 7/2009 Hong D14/188

* cited by examiner

Primary Examiner—T. Chase Nelson

Assistant Examiner—David G Muller

(74) *Attorney, Agent, or Firm*—Young & Thompson

(57) **CLAIM**

The ornamental design for apparatus for air sterilization, as shown and described.

DESCRIPTION

FIG. 1 is a top, front and right side perspective view of apparatus for air sterilization showing my new design;

FIG. 2 is a top, front and left side perspective view;

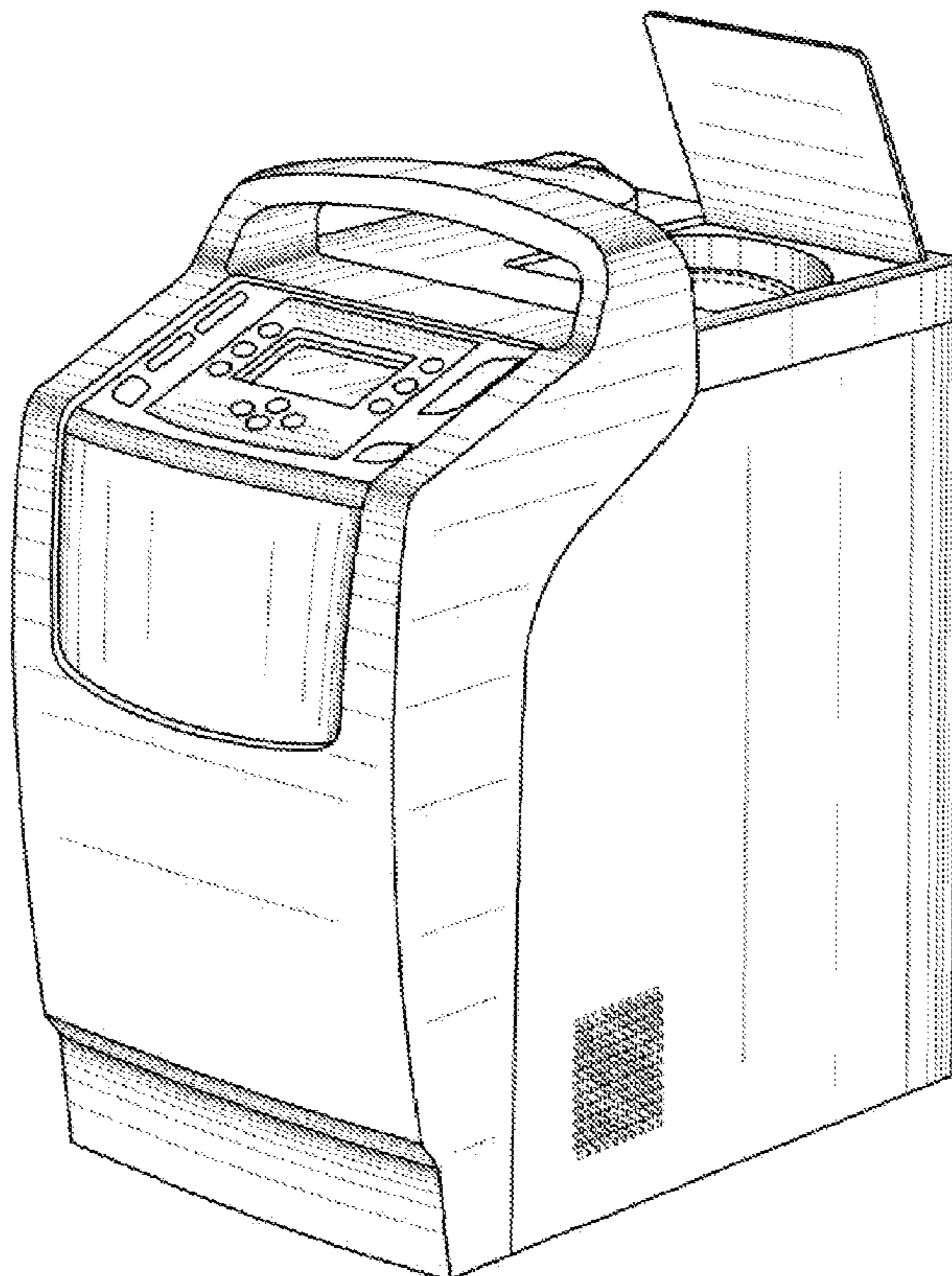
FIG. 3 is a top, back and left side perspective view;

FIG. 4 is a front elevational view; and,

FIG. 5 is a top plan view.

The broken lines depict portions of the apparatus for air sterilization that form no part of the claimed design.

1 Claim, 5 Drawing Sheets



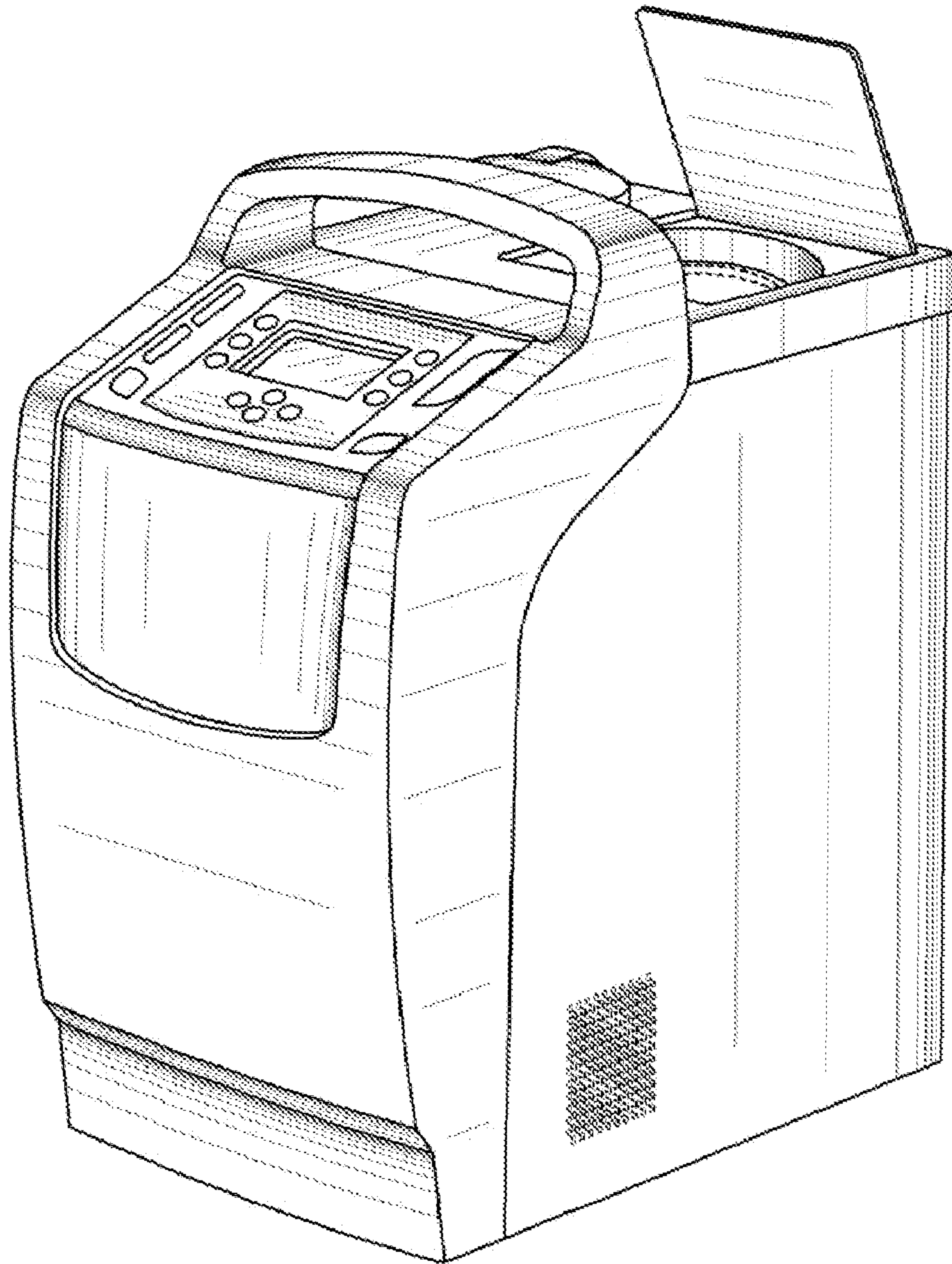


FIGURE 1

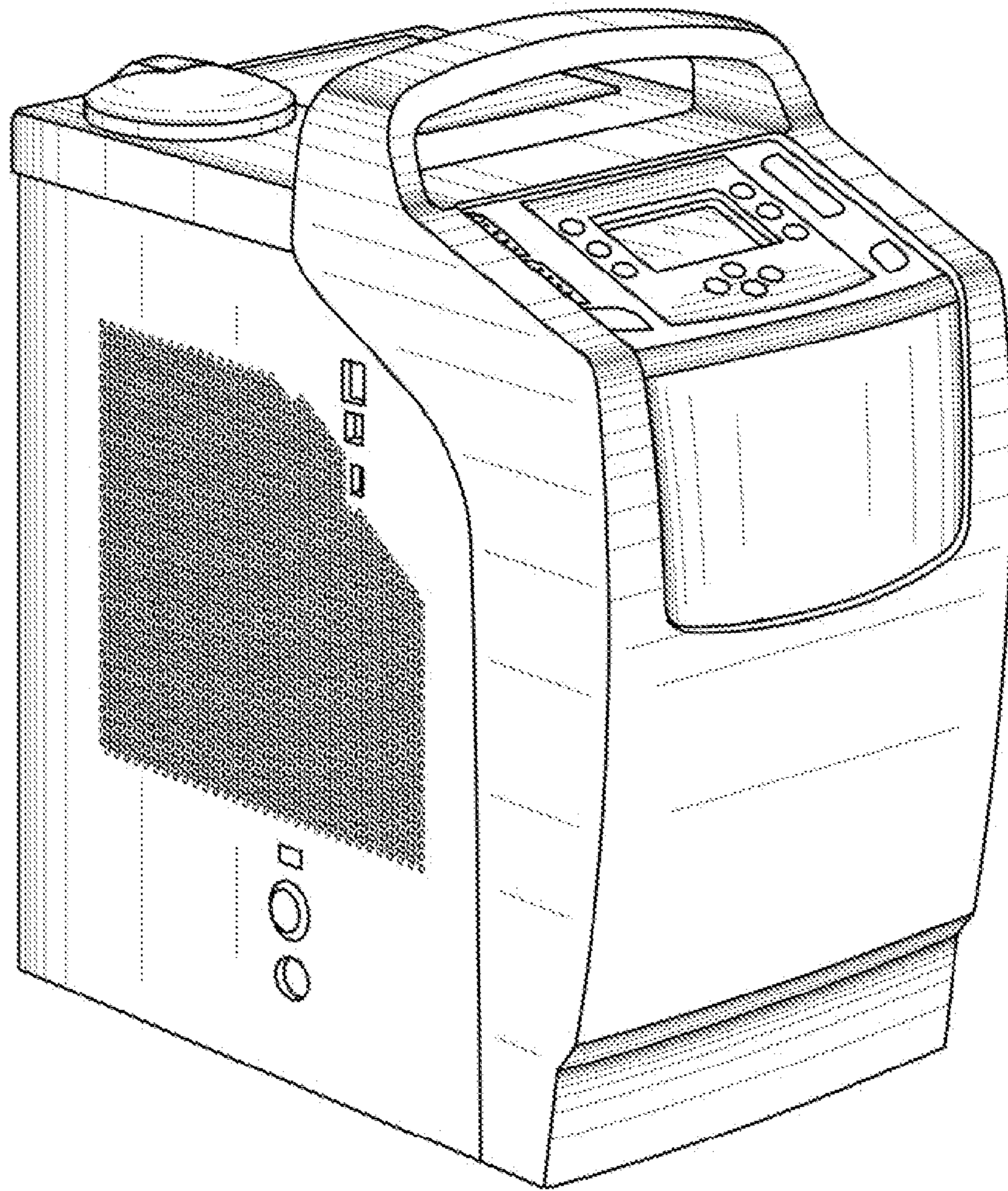


FIGURE 2

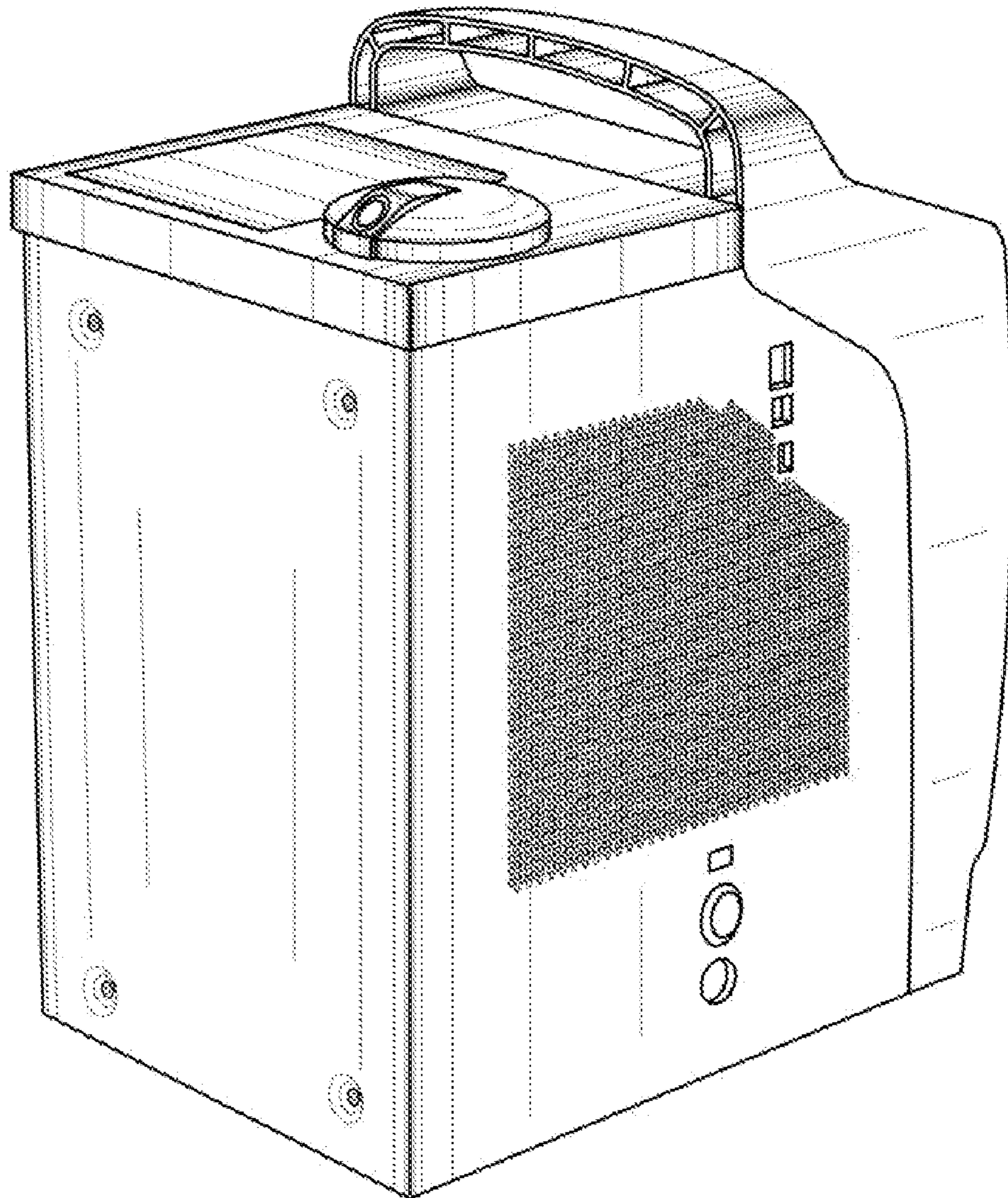


FIGURE 3

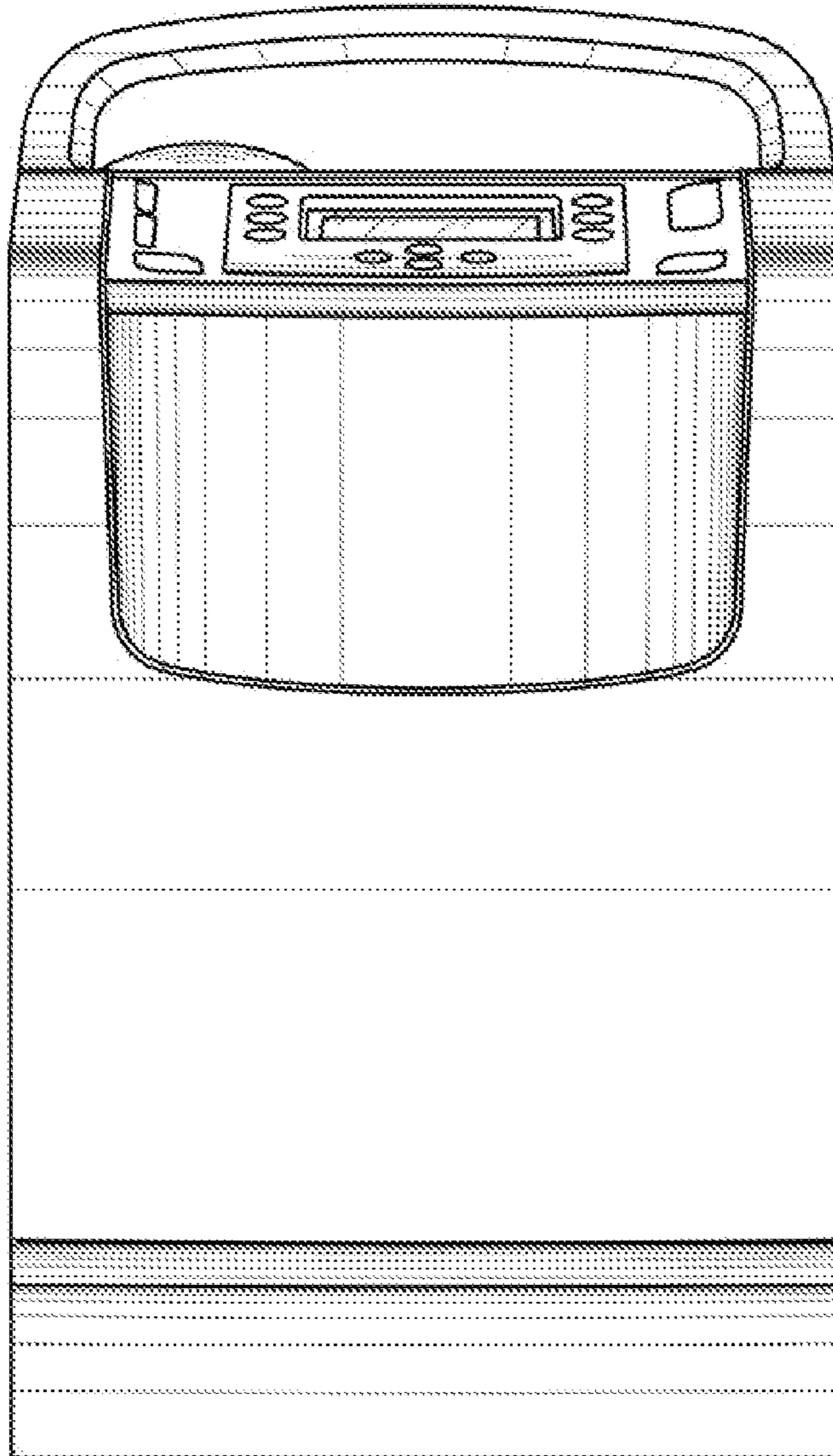


FIGURE 4

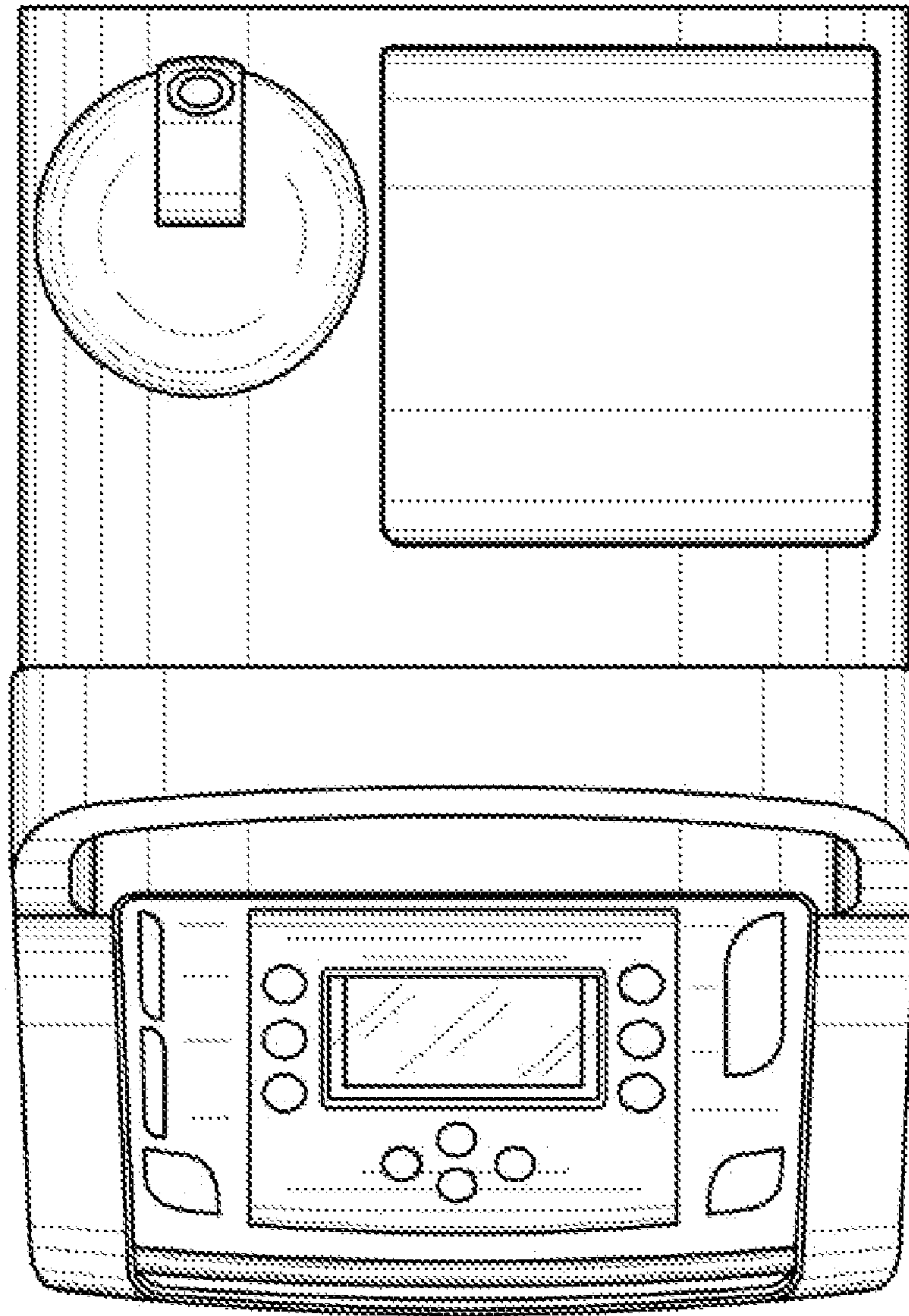


FIGURE 5