



US00D612029S

(12) **United States Design Patent**
Krapfl

(10) **Patent No.:** **US D612,029 S**

(45) **Date of Patent:** **** *Mar. 16, 2010**

(54) **FAN HEATER**

D514,687 S * 2/2006 Dooley D23/378
D569,957 S * 5/2008 Shapiro D23/317
D580,030 S * 11/2008 Shapiro D23/342

(75) Inventor: **Clifford Krapfl**, Chicago, IL (US)

(73) Assignee: **Sunbeam Products, Inc.**, Boca Raton, FL (US)

(*) Notice: This patent is subject to a terminal disclaimer.

(**) Term: **14 Years**

(21) Appl. No.: **29/336,686**

(22) Filed: **May 7, 2009**

(51) **LOC (9) Cl.** **23-03**

(52) **U.S. Cl.** **D23/314; D23/335; D23/378; D23/332**

(58) **Field of Classification Search** D23/317, D23/314, 332, 333, 334, 335, 337, 342, 351, D23/355, 378, 370, 381, 364, 336, 341; 416/244 R, 416/247 R, 53.1-53.3; 392/365, 367
See application file for complete search history.

(56) **References Cited**

U.S. PATENT DOCUMENTS

D446,291 S * 8/2001 Birdsell et al. D23/332
D510,989 S * 10/2005 Dooley D23/335

* cited by examiner

Primary Examiner—T. Chase Nelson

Assistant Examiner—Ania K Dworzecka

(74) *Attorney, Agent, or Firm*—Lawrence J. Shurupoff

(57) **CLAIM**

The ornamental design for a fan heater, as shown and described.

DESCRIPTION

FIG. 1 is a front right perspective view of the fan heater showing the new design;

FIG. 2 is a front elevation view thereof;

FIG. 3 is a back elevation view thereof;

FIG. 4 is a left side elevation thereof;

FIG. 5 is a right side elevation thereof;

FIG. 6 is a top plan view thereof; and,

FIG. 7 is a bottom plan view thereof.

The broken lines in the drawings are for illustrative purposes only and form no part of the claimed design.

1 Claim, 2 Drawing Sheets

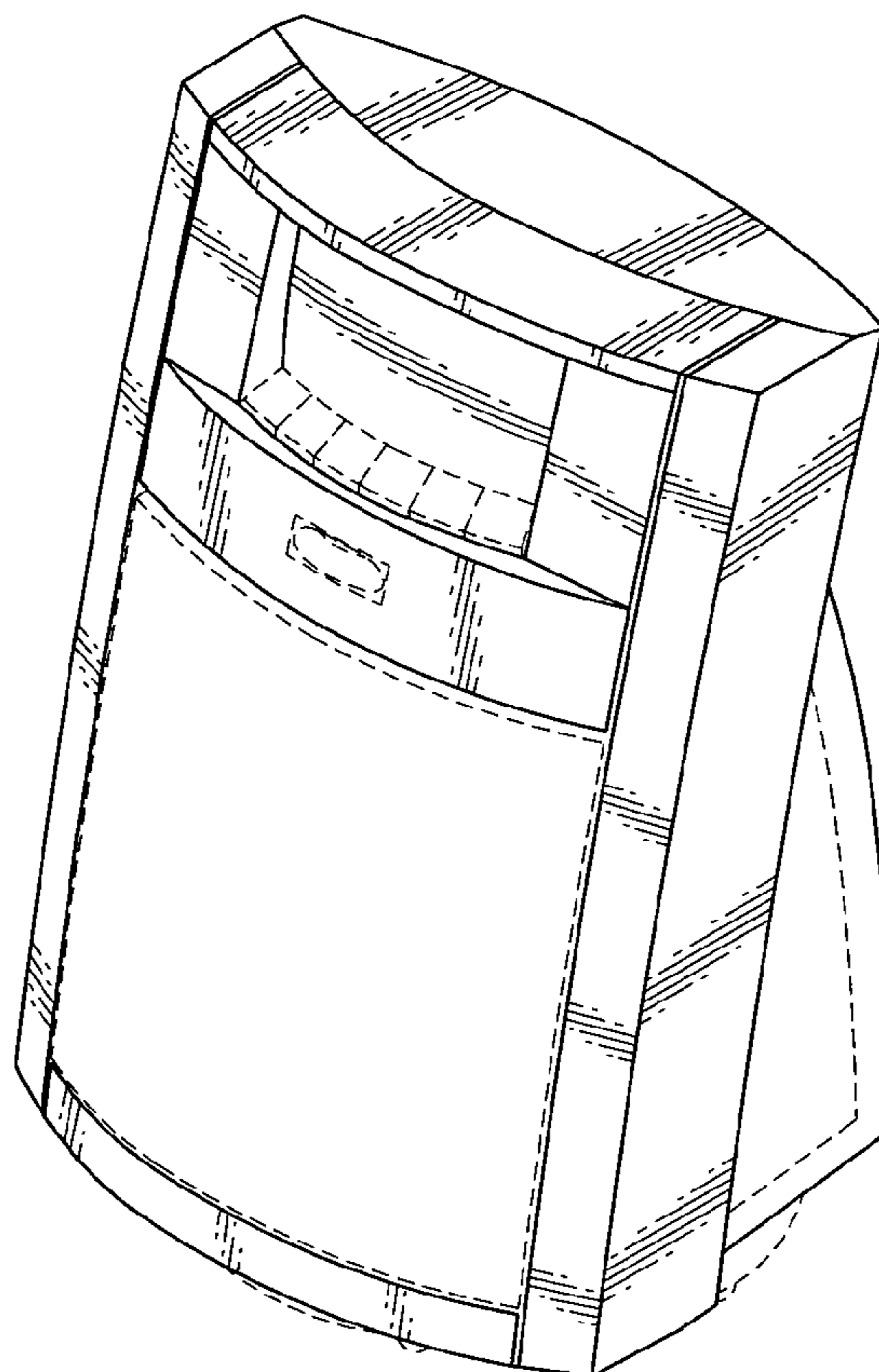


FIG. 1

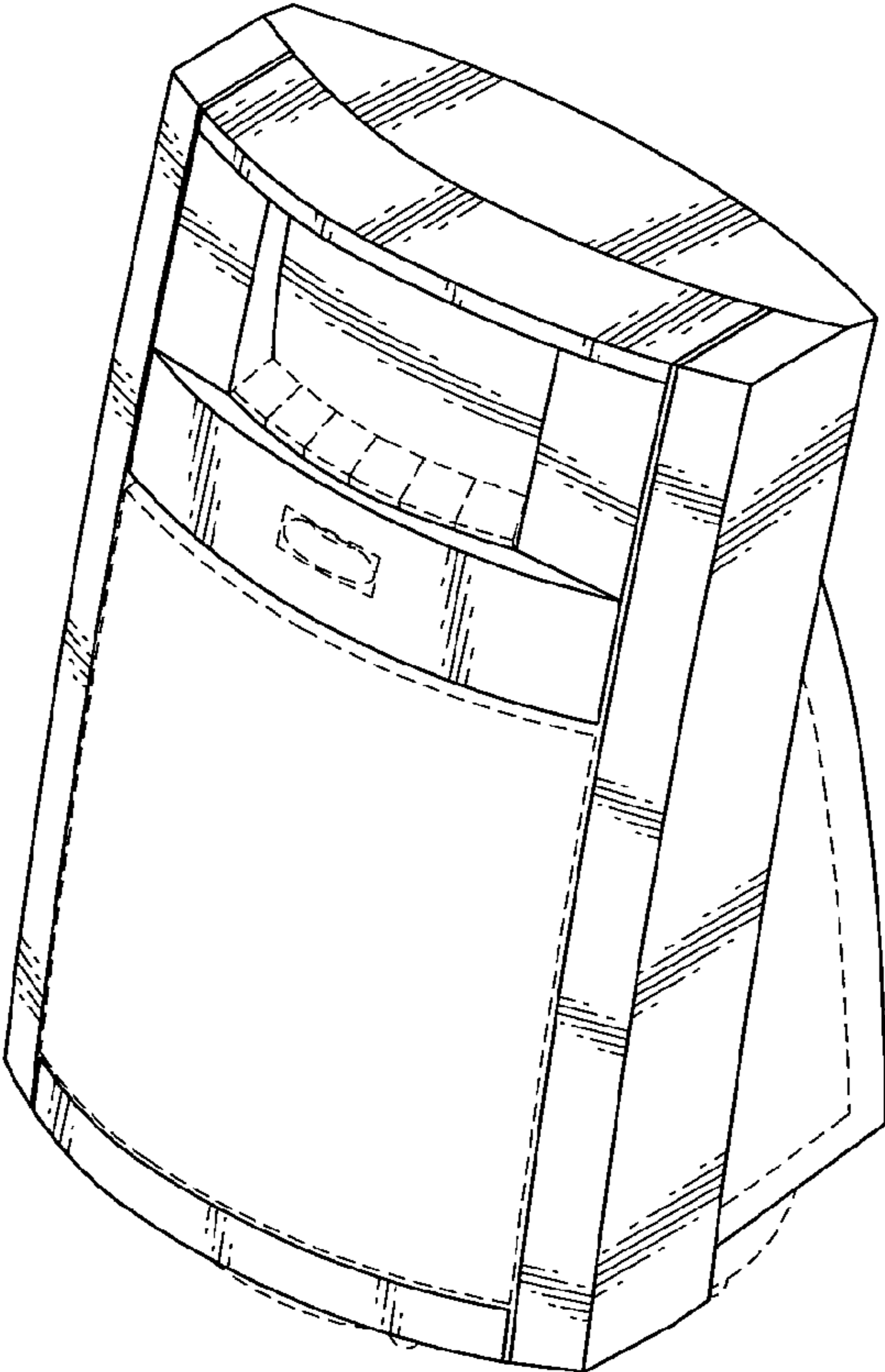


FIG. 6

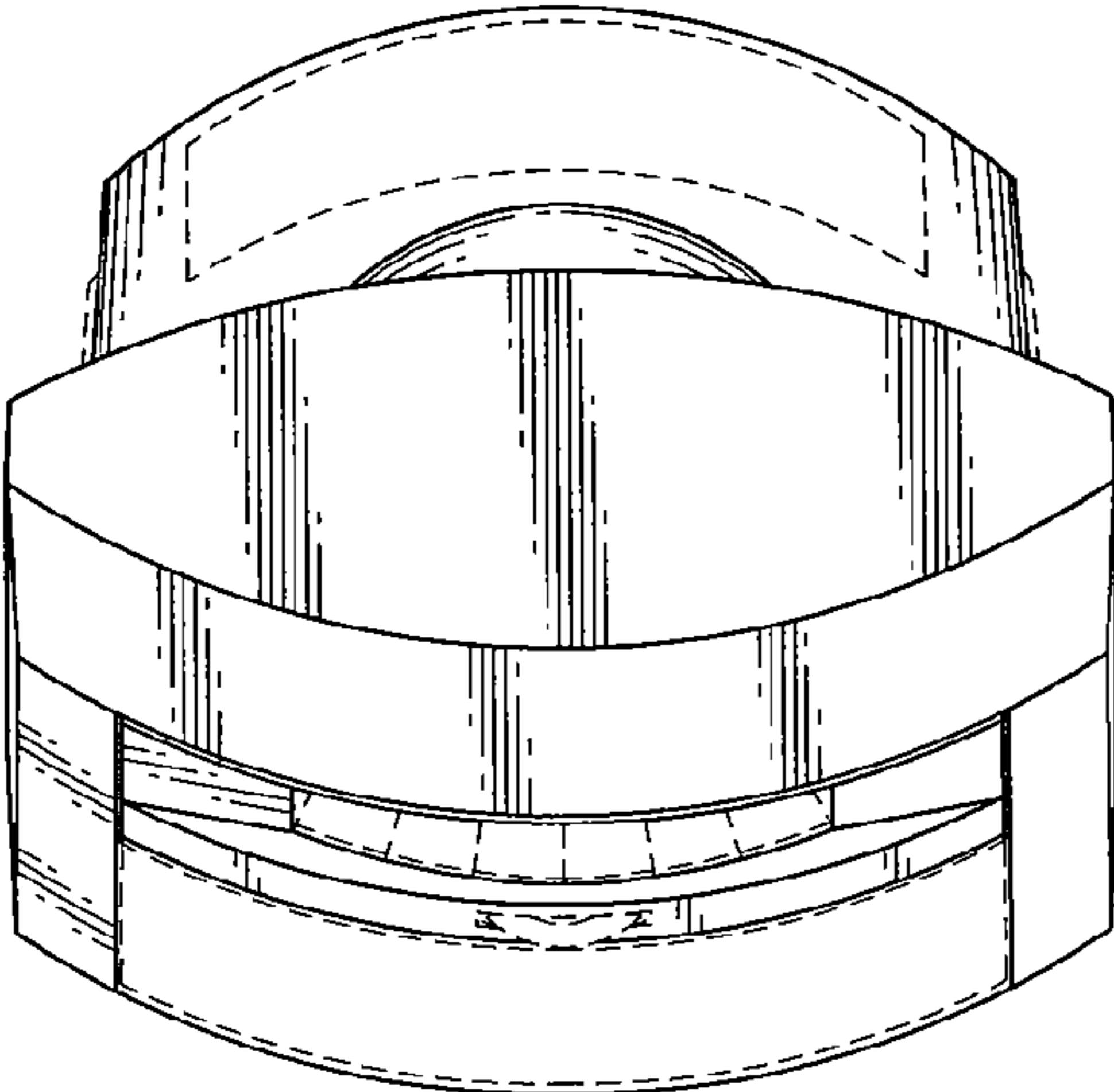


FIG. 7

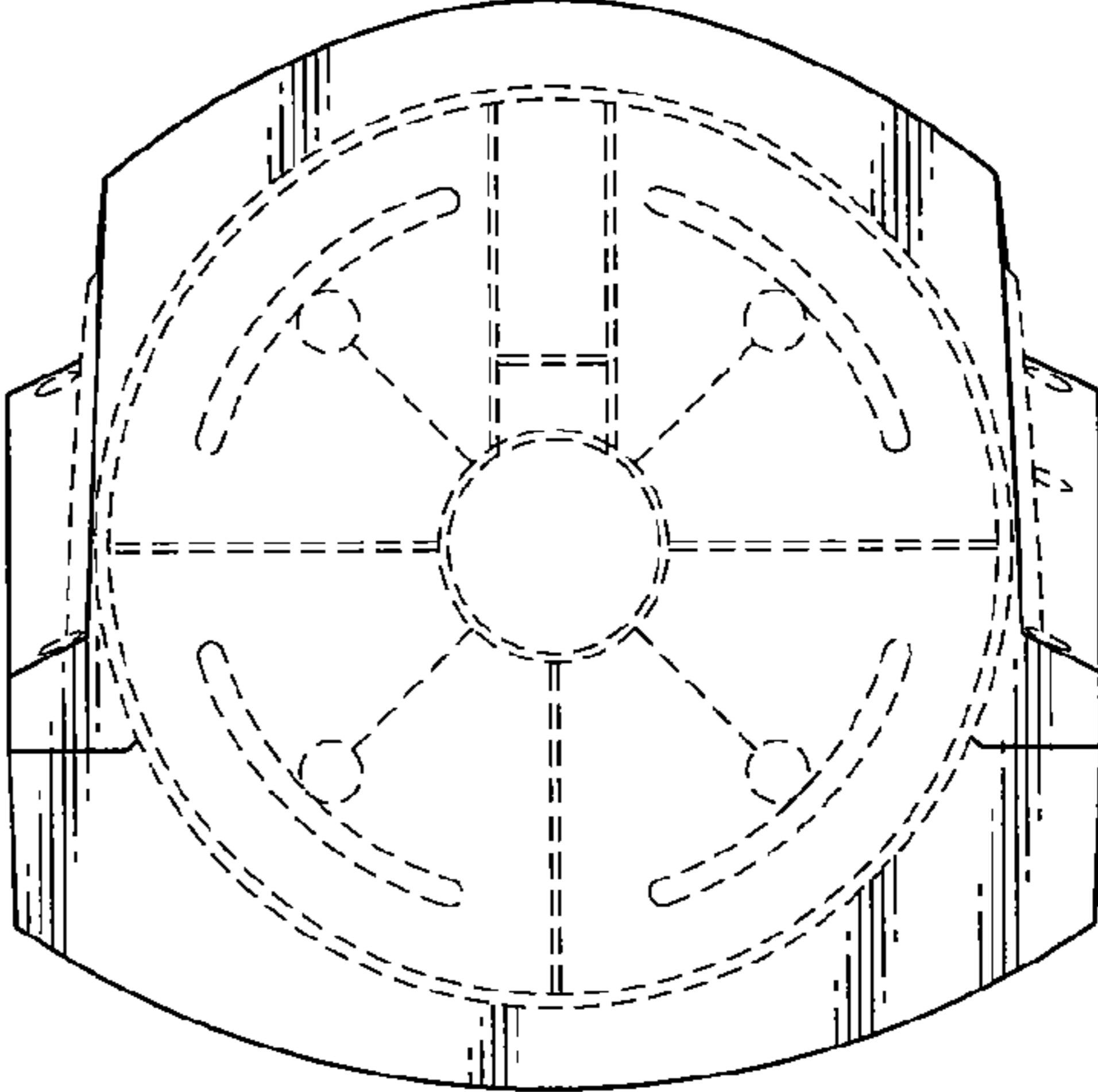


FIG. 2

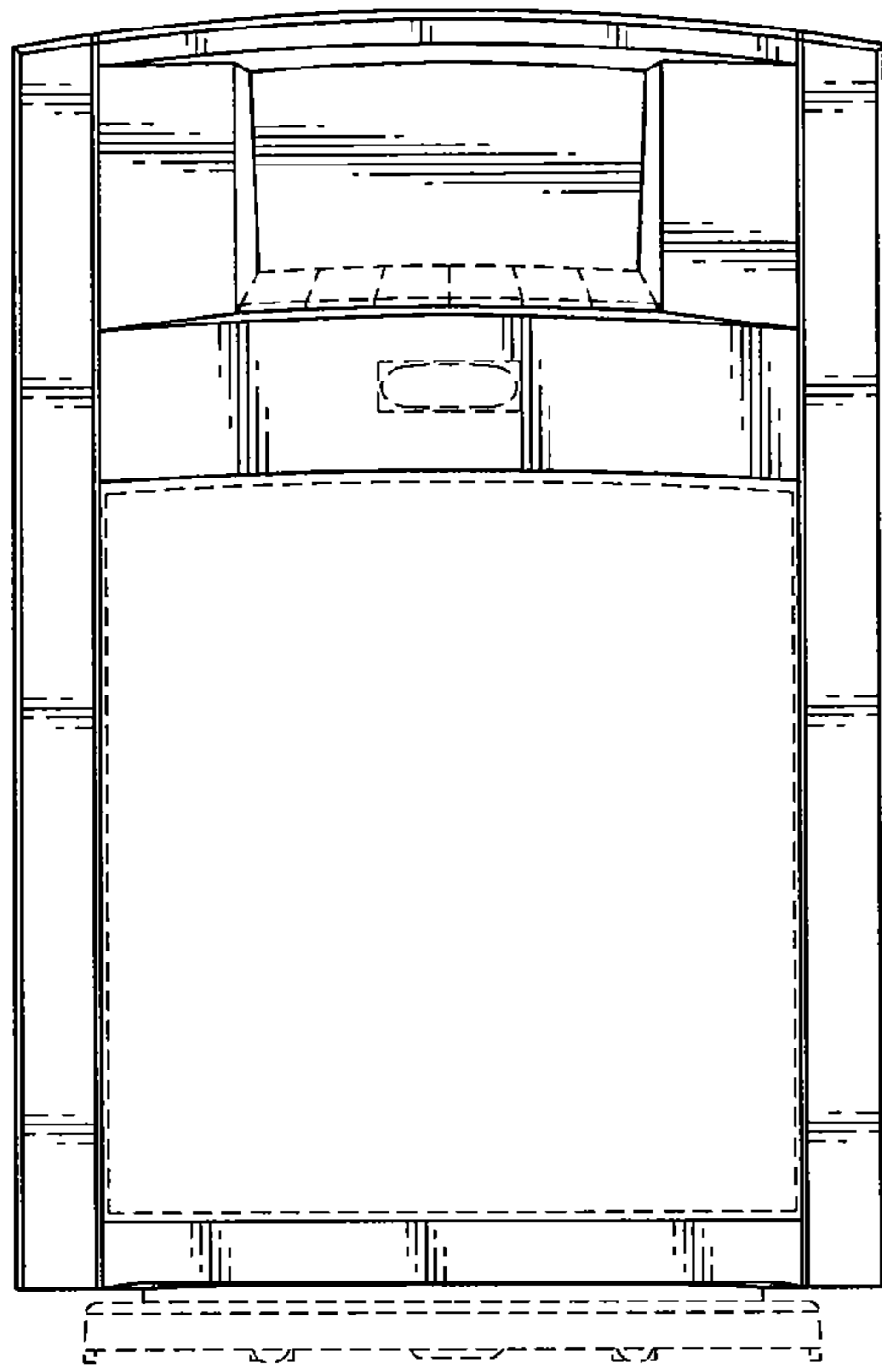


FIG. 3

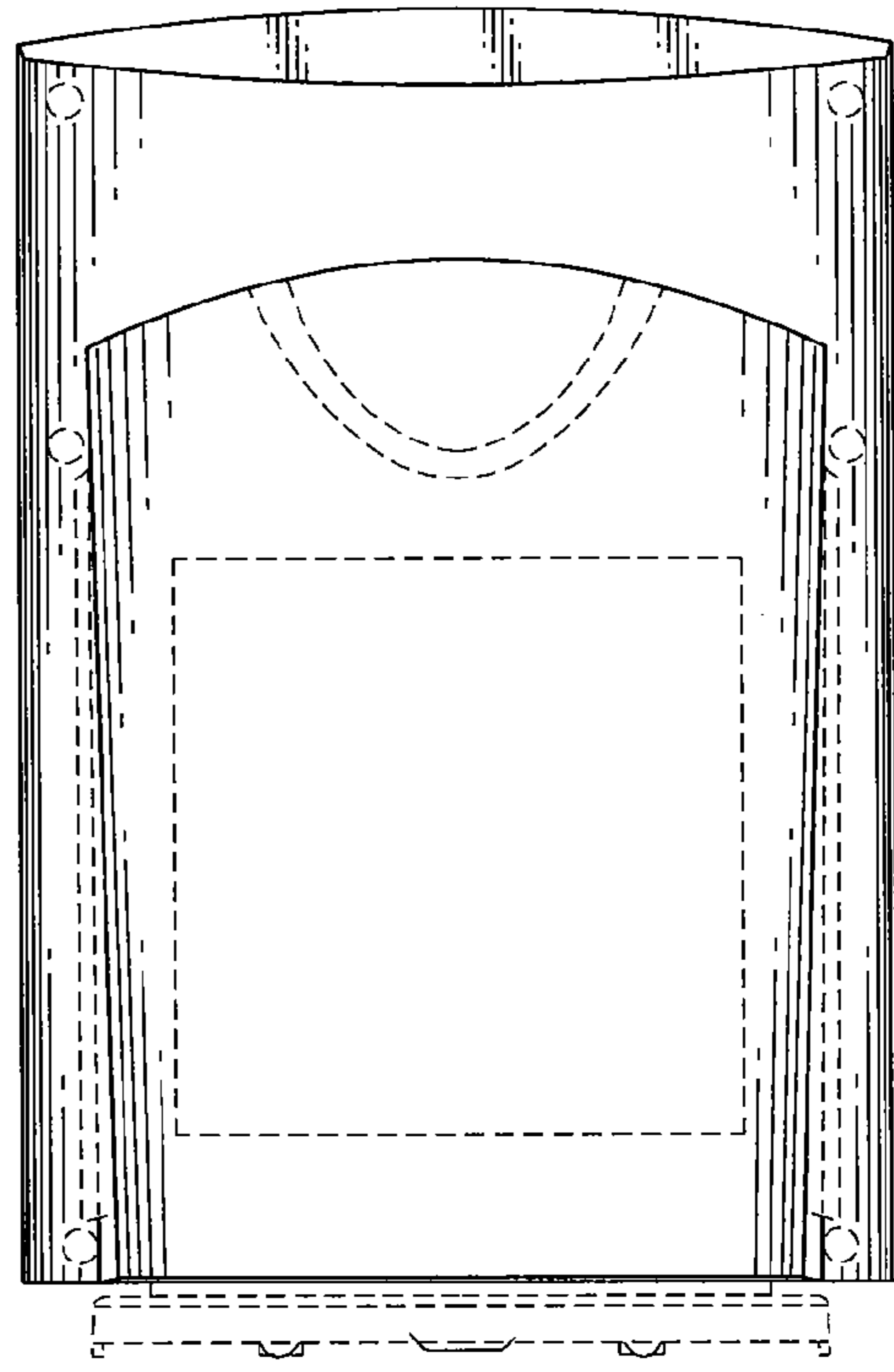


FIG. 4

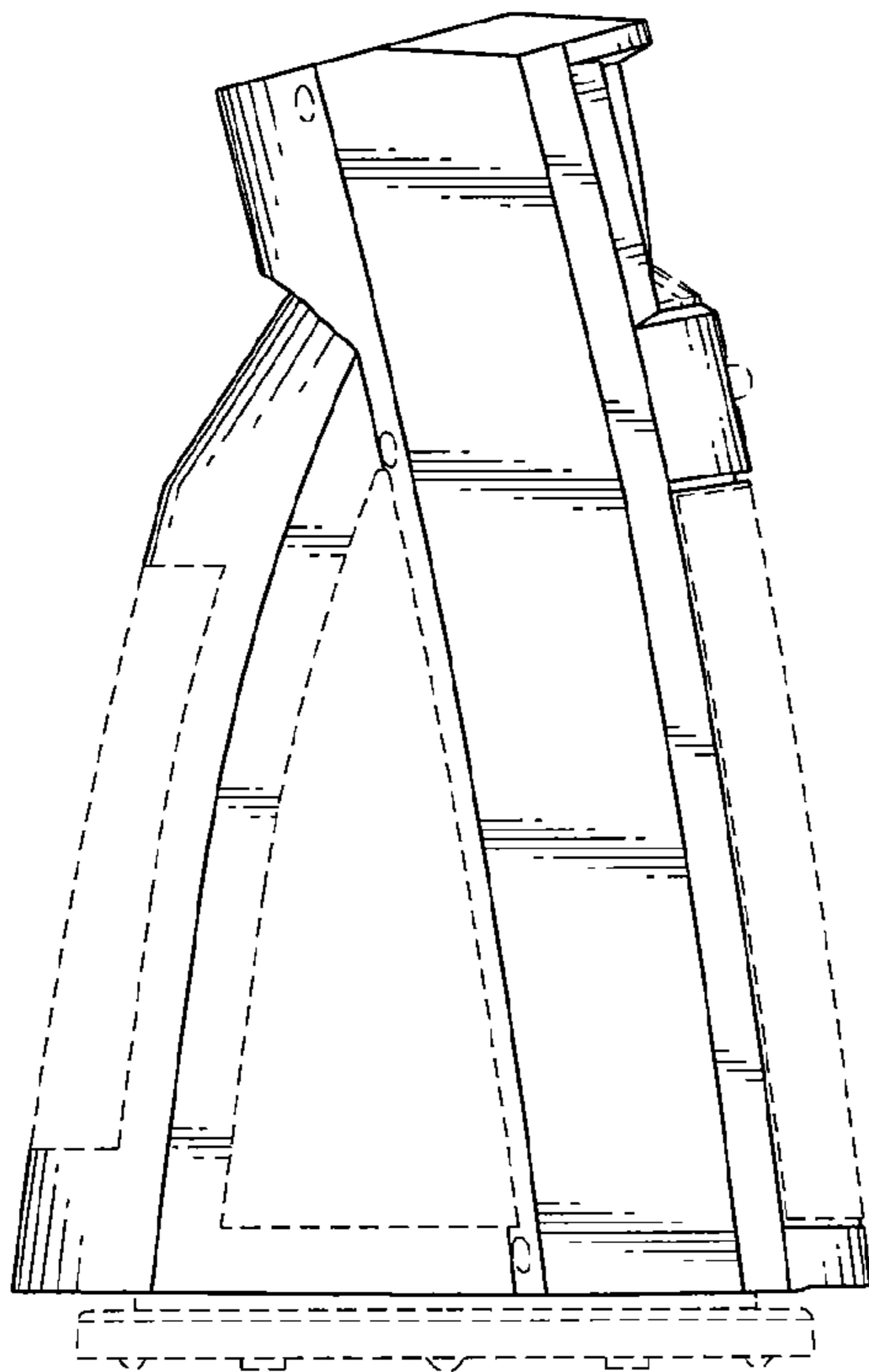


FIG. 5

