

US00D612028S

(12) **United States Design Patent**
Reid et al.

(10) **Patent No.:** **US D612,028 S**
(45) **Date of Patent:** **** Mar. 16, 2010**

(54) **PLUMBING FIXTURE**

(75) Inventors: **Mary J. Reid**, Sheboygan, WI (US);
Jeffrey A. Pipe, Pittsburgh, PA (US);
Lisa J. Hood, Cincinnati, OH (US);
Barry Glasford, Cedarburg, WI (US);
Raul Paredes, Mason, OH (US)

(73) Assignee: **Kohler Co.**, Kohler, WI (US)

(**) Term: **14 Years**

(21) Appl. No.: **29/344,851**

(22) Filed: **Oct. 5, 2009**

Related U.S. Application Data

(62) Division of application No. 29/297,421, filed on Nov. 9, 2007, now Pat. No. Des. 601,673.

(51) **LOC (9) Cl.** **23-02**

(52) **U.S. Cl.** **D23/304**

(58) **Field of Classification Search** D23/293,
D23/275-280.1, 303, 304-306; D24/204;
4/663, 538-539, 541.1, 546, 575.1, 586,
4/574.1

See application file for complete search history.

(56) **References Cited**

U.S. PATENT DOCUMENTS

5,101,521	A *	4/1992	Levien	4/559
D350,185	S *	8/1994	Clark et al.	D23/277
D382,945	S *	8/1997	Hansen et al.	D23/277
6,507,959	B1 *	1/2003	Sundberg et al.	4/572.1
D485,890	S *	1/2004	Lanius	D23/280.1
D524,925	S *	7/2006	Lanius	D23/280.1
D525,688	S *	7/2006	Licini	D23/280.1
7,266,851	B1 *	9/2007	Batalini	4/574.1

FOREIGN PATENT DOCUMENTS

RU 58412 * 12/2005

OTHER PUBLICATIONS

Kohler Co. Bancroft Experience 5.5' Bath. Model No. K-1156. Kohler Co. online catalog. Copyright 2007 Kohler Co.*
Kohler Co. "Lady Vanity self-rimming lavatory with 8" centers for swing spout faucet and sidespray. Model No. K-2170-8S. Kohler Co. online catalog. Copyright 2007 Kohler Co.*
Kohler Co. "Bancroft Experience 5.5' Bath." Model No. K-1156. Kohler Co. online Catalog. Copyright 2007 Kohler Co.
Kohler Co. "Lady Vanity Self-Rimming Lavatory with 8" Centers for Swing Spout Faucet and Sidespray", Model No.: K2170-89. Kohler Co. online catalog. Copyright 2007 Kohler Co.

* cited by examiner

Primary Examiner—Robert A Delehanty

(74) *Attorney, Agent, or Firm*—Quarles & Brady LLP

(57) **CLAIM**

The ornamental design for a plumbing fixture, as shown and described.

DESCRIPTION

FIG. 1 is a left, top, front perspective view of a plumbing fixture according to our new design;

FIG. 2 is a top plan view thereof;

FIG. 3 is a front elevational view thereof, the rear elevational view thereof being a mirror image of the front shown;

FIG. 4 is a left side elevational view thereof, the right side elevational view thereof being a mirror image of the left side shown; and,

FIG. 5 is a bottom plan view thereof.

The broken line representations in the figures, are for the purpose of illustration only, and form no part of the claimed design.

1 Claim, 3 Drawing Sheets

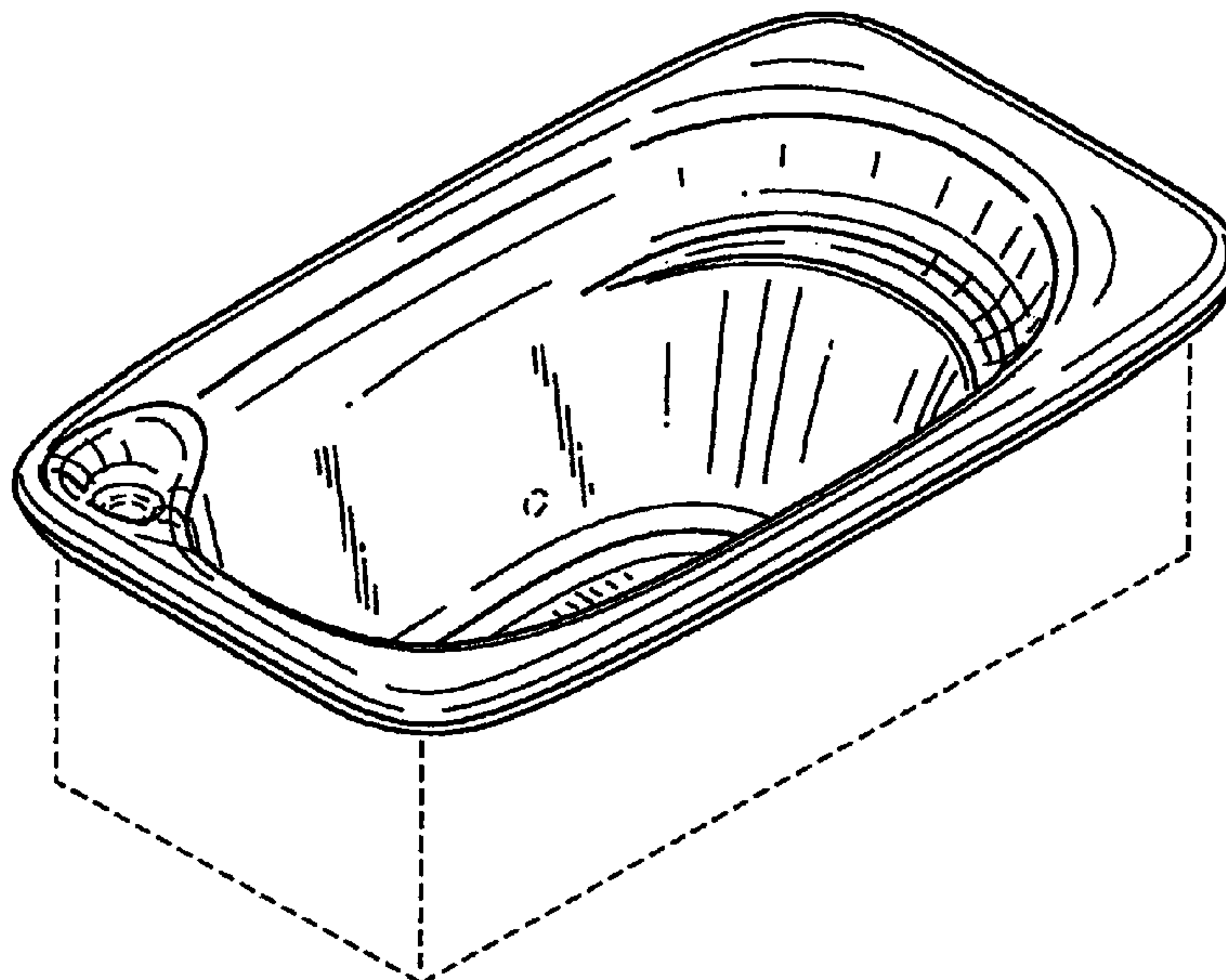


FIG. 1

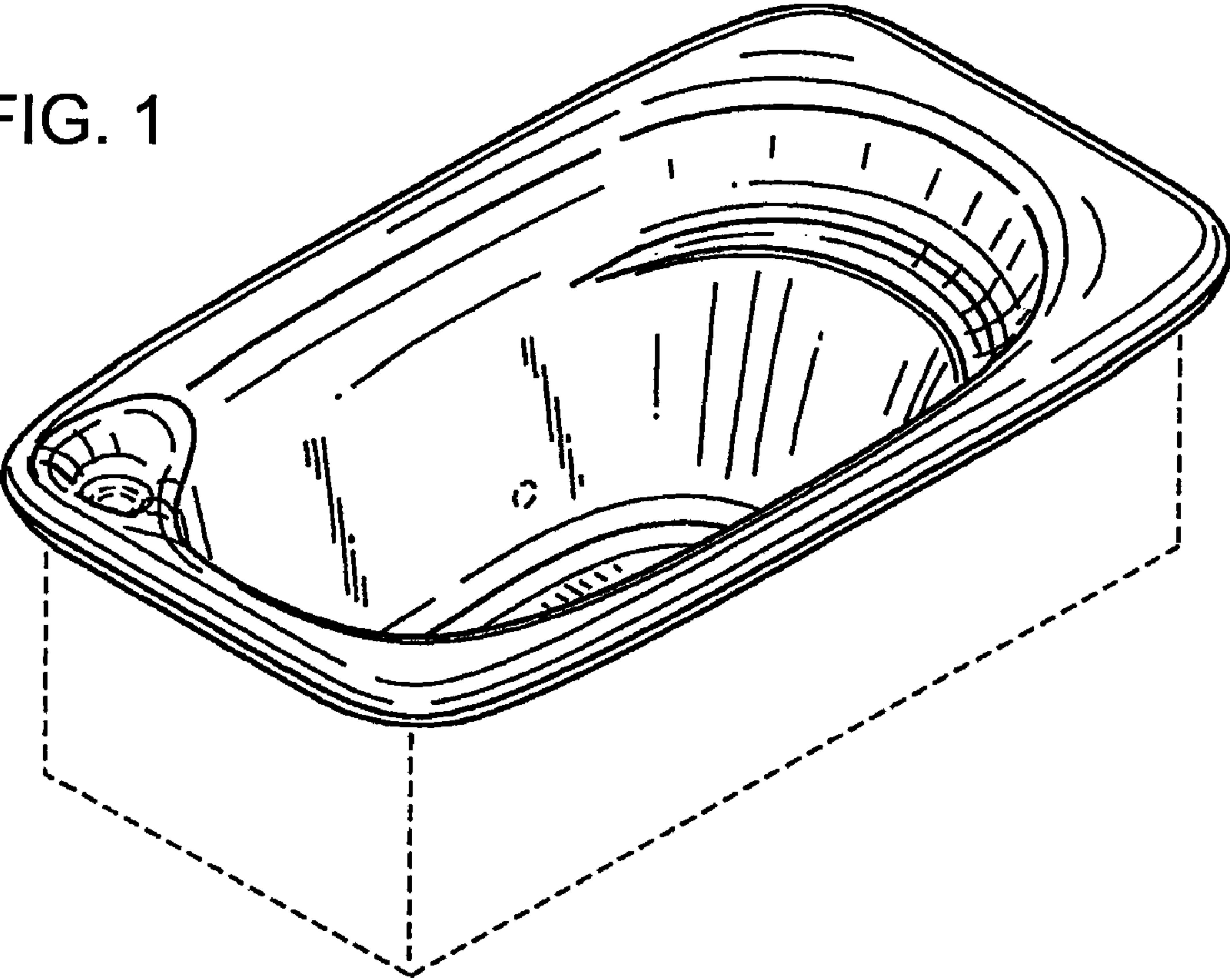


FIG. 2

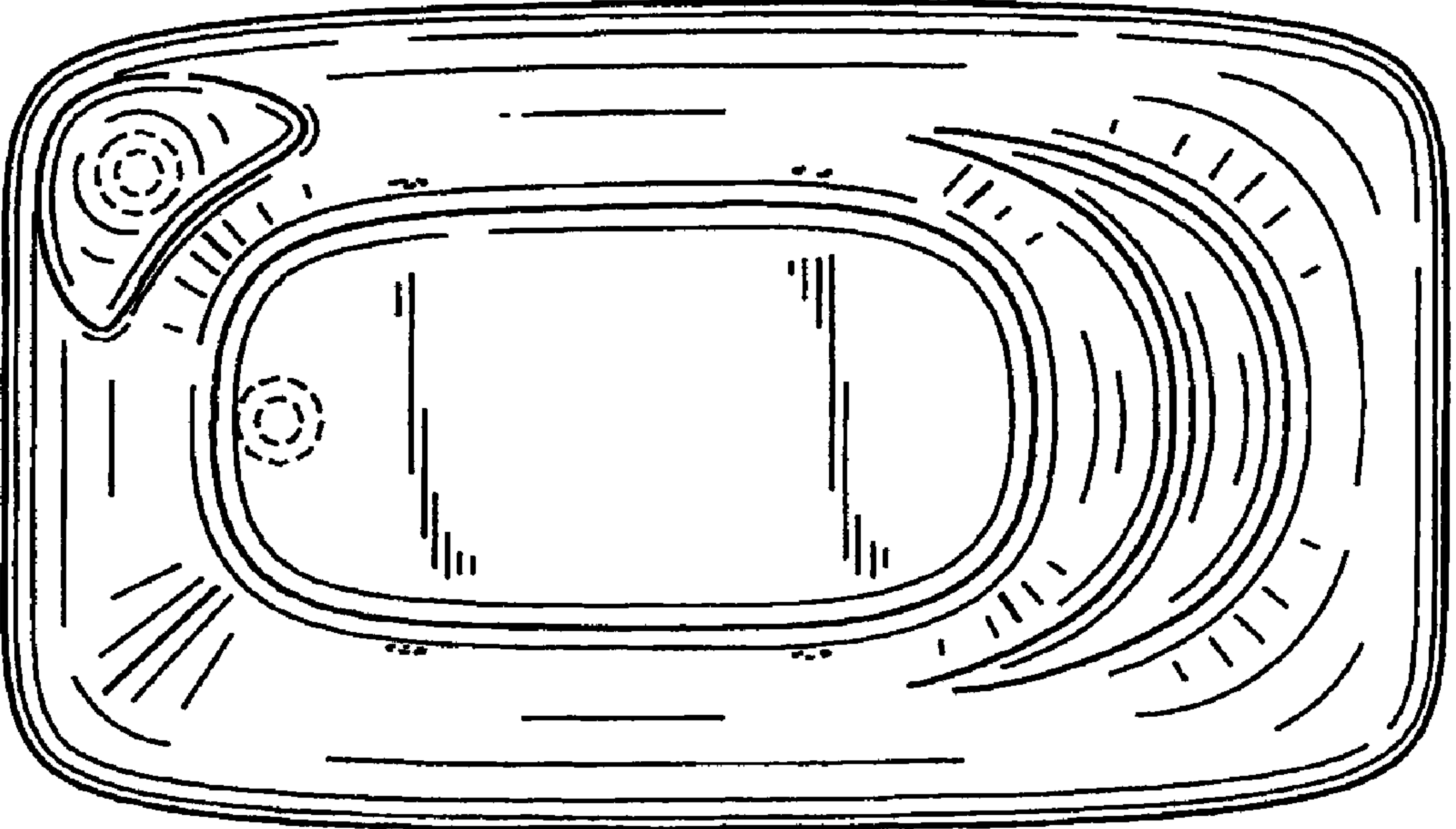


FIG. 3

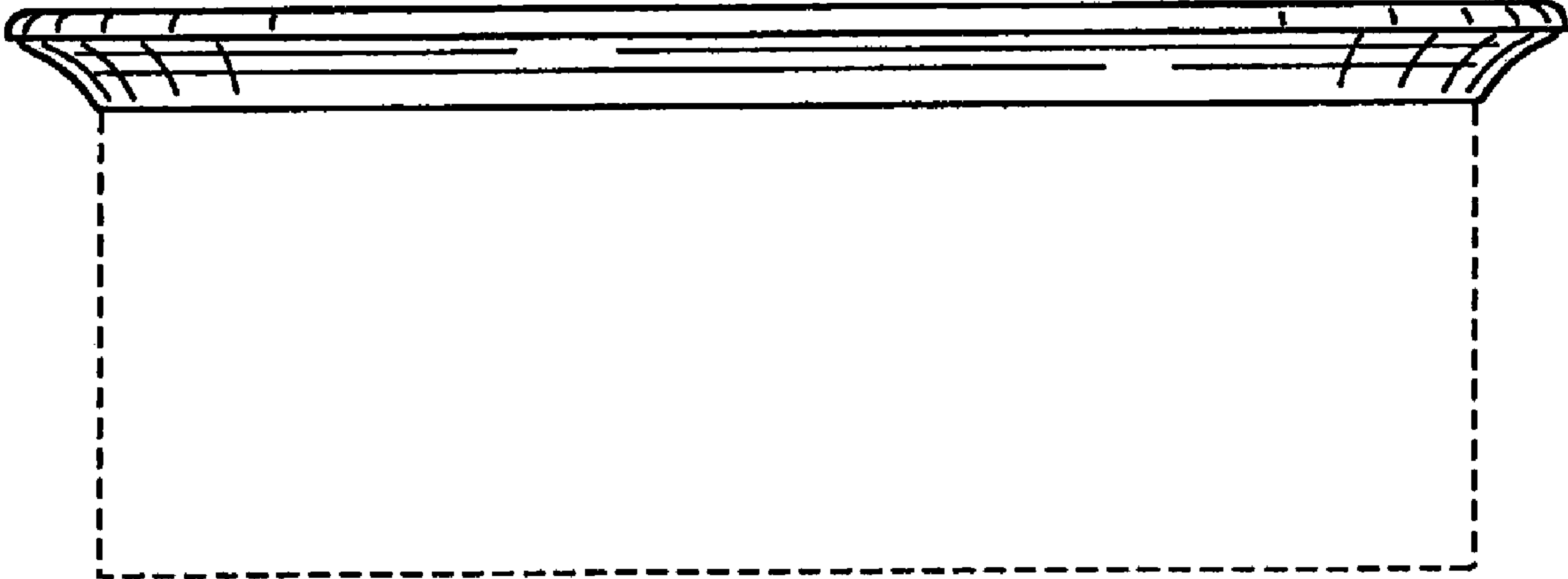


FIG. 4

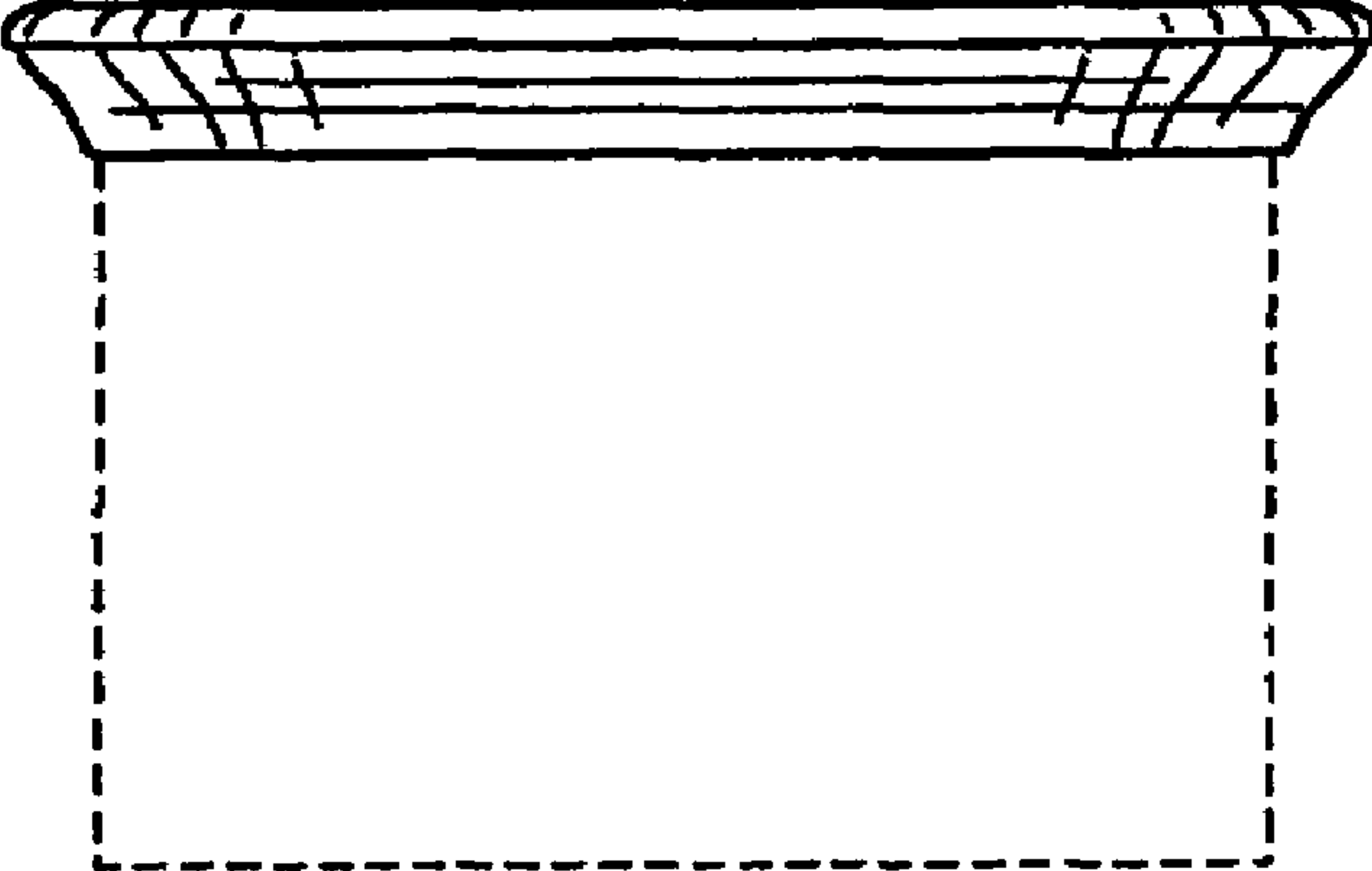
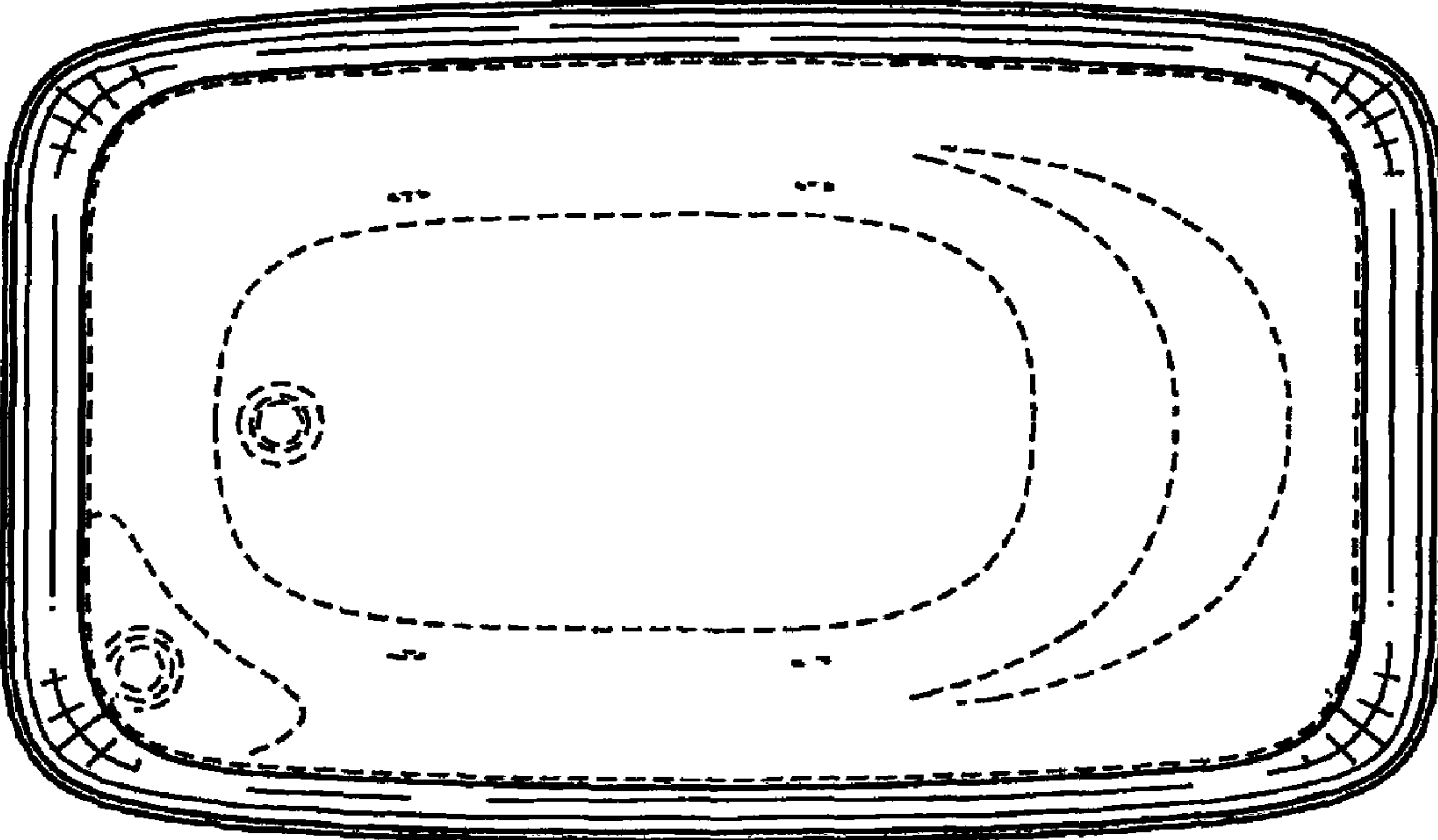


FIG. 5



UNITED STATES PATENT AND TRADEMARK OFFICE
CERTIFICATE OF CORRECTION

PATENT NO. : Des. 612,028 S
APPLICATION NO. : 29/344851
DATED : March 16, 2010
INVENTOR(S) : Mary J. Reid et al.

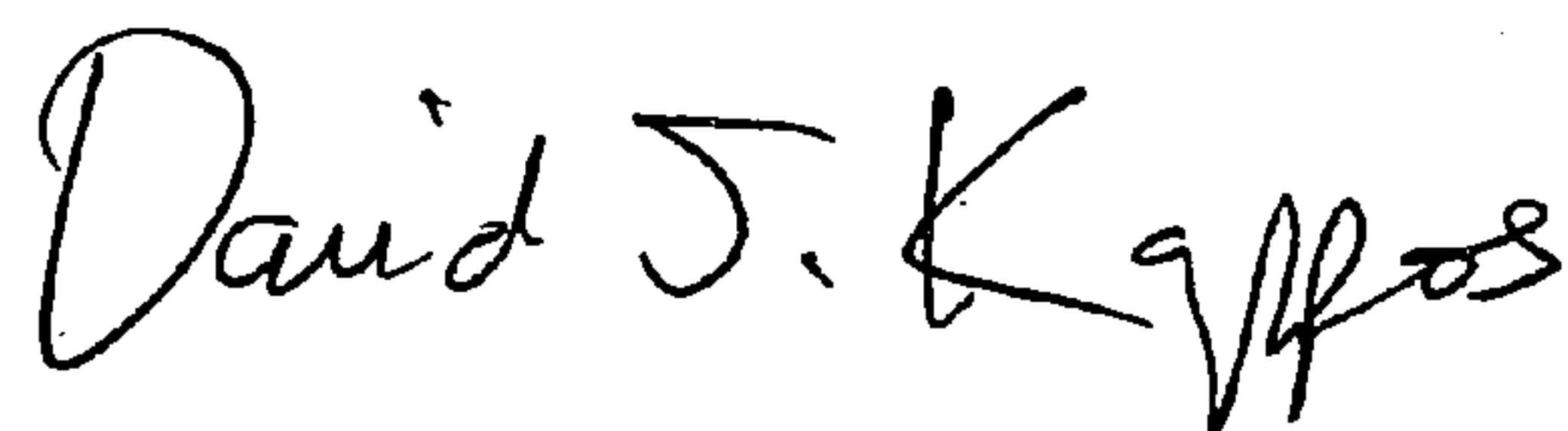
Page 1 of 1

It is certified that error appears in the above-identified patent and that said Letters Patent is hereby corrected as shown below:

Title Page, under the section entitled "Description", please insert above the FIG. 1 description the following statement: --In a preferred embodiment, the nature of this product is as a plumbing fixture in the form of a bathing tub or portion thereof.--

Signed and Sealed this

First Day of June, 2010

A handwritten signature in black ink that reads "David J. Kappos". The signature is written in a cursive, slightly slanted style.

David J. Kappos
Director of the United States Patent and Trademark Office