



US00D612027S

(12) **United States Design Patent**  
**Hisey**

(10) **Patent No.:** **US D612,027 S**  
(45) **Date of Patent:** **\*\* Mar. 16, 2010**

(54) **SHOWER BASE**

(75) Inventor: **Christopher B. Hisey**, Plymouth, WI (US)

(73) Assignee: **Kohler Co.**, Kohler, WI (US)

(\*\*) Term: **14 Years**

(21) Appl. No.: **29/340,499**

(22) Filed: **Jul. 20, 2009**

**Related U.S. Application Data**

(62) Division of application No. 29/303,129, filed on Feb. 1, 2008, now Pat. No. Des. 596,721.

(51) **LOC (9) Cl.** ..... **23-02**

(52) **U.S. Cl.** ..... **D23/304**

(58) **Field of Classification Search** ..... D23/275,  
D23/273, 279, 283, 303-306; 4/552, 556-557,  
4/596-597, 607, 610, 900

See application file for complete search history.

(56) **References Cited**

**U.S. PATENT DOCUMENTS**

D196,290 S	9/1963	King et al.
D351,019 S	9/1994	Moore et al.
D404,476 S	1/1999	Formgren
D495,039 S	8/2004	Piatt
D504,497 S	4/2005	Piatt
D506,535 S	6/2005	Piatt
D541,913 S	5/2007	Piatt

**OTHER PUBLICATIONS**

Duravit. "Shower Tray". Model No. 2nd Floor 720043. Duravit online catalog.

Duravit. "Bath Tub". Duravit online catalog.

Kohler Co. "Purist Receptor". Model No. K-9026-96 and K9026-96/K9027-NA. Kohler.com online catalog. Copyright 2007 Kohler Co.

*Primary Examiner*—Robert A Delehanty

(74) *Attorney, Agent, or Firm*—Quarles & Brady LLP

(57) **CLAIM**

The ornamental design for a shower base, as shown and described.

**DESCRIPTION**

In a preferred embodiment, the nature of this product is as a shower receptor for a shower plumbing fixture.

FIG. 1 is a top, right, front perspective view of a shower base according to my new design;

FIG. 2 is a top plan view thereof;

FIG. 3 is a front elevational view thereof;

FIG. 4 is a right side elevational view thereof;

FIG. 5 is a left side elevational view thereof;

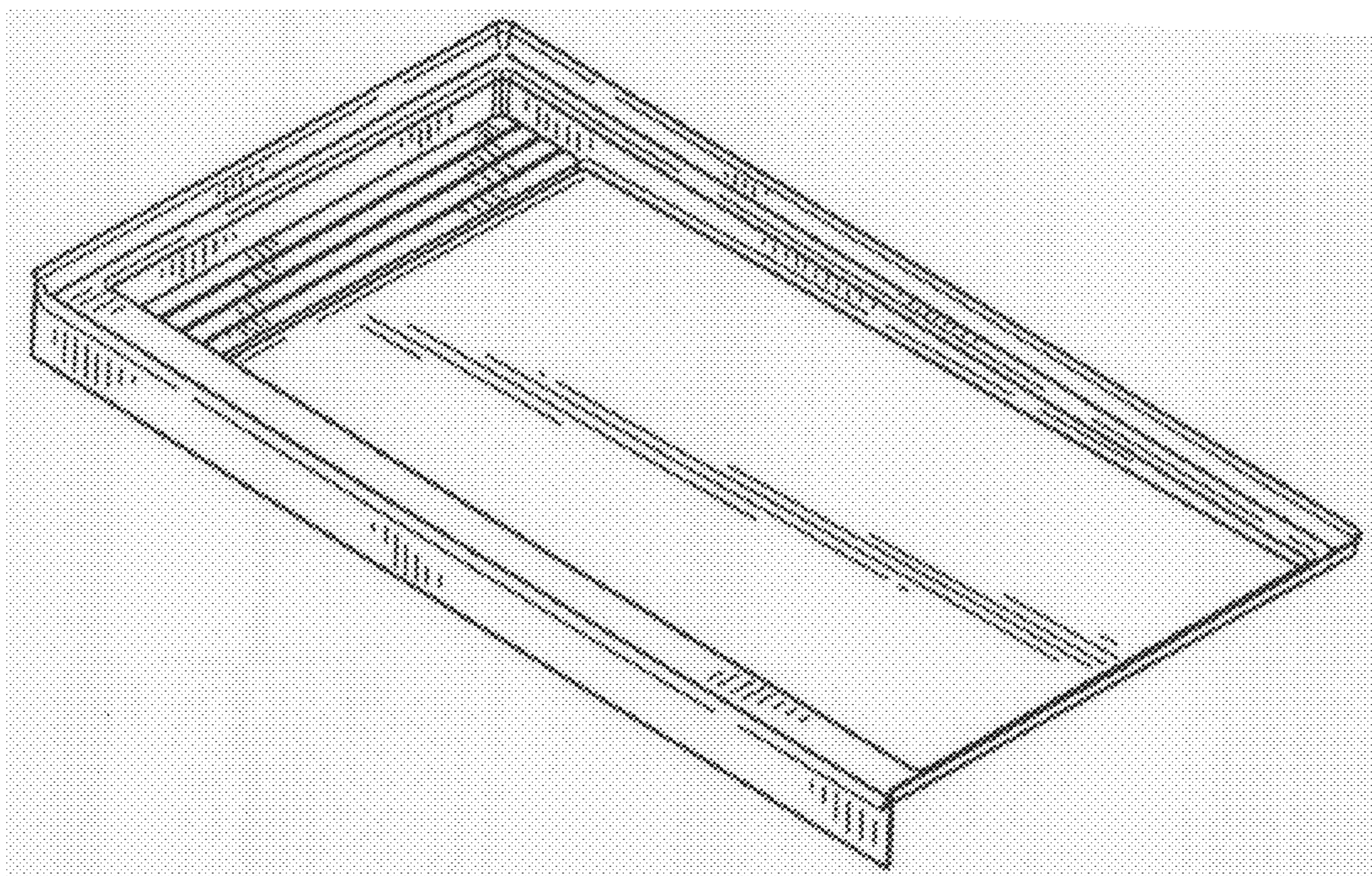
FIG. 6 is a rear elevational view thereof;

FIG. 7 is a bottom plan view thereof; and,

FIG. 8 is a top, left, front perspective view of a shower base according to another embodiment of my new design, the other views of which are mirror images of the respective views shown in FIGS. 2-7.

The broken line representations in the figures are for the purpose of illustration only, and form no part of the claimed design.

**1 Claim, 3 Drawing Sheets**





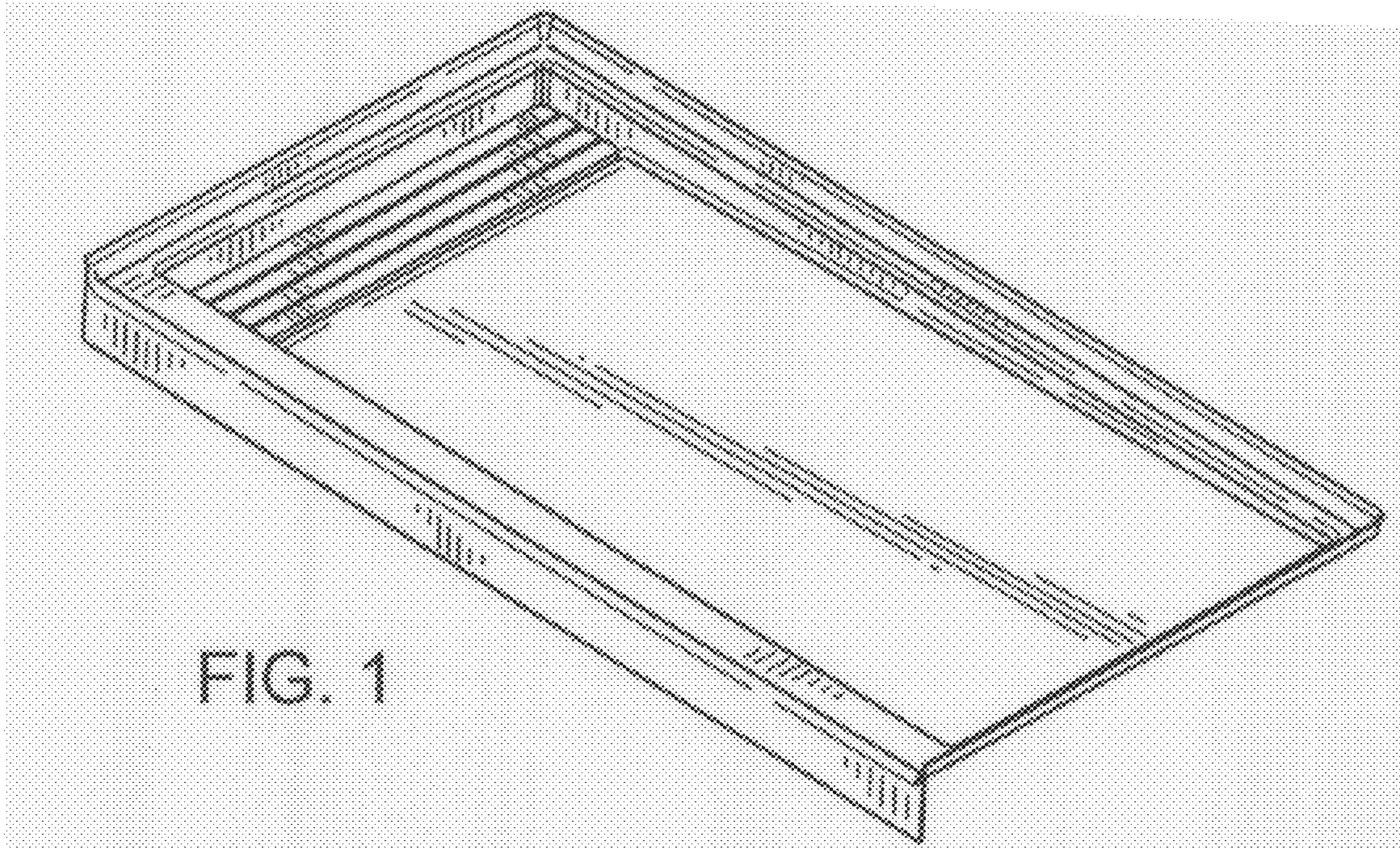


FIG. 1

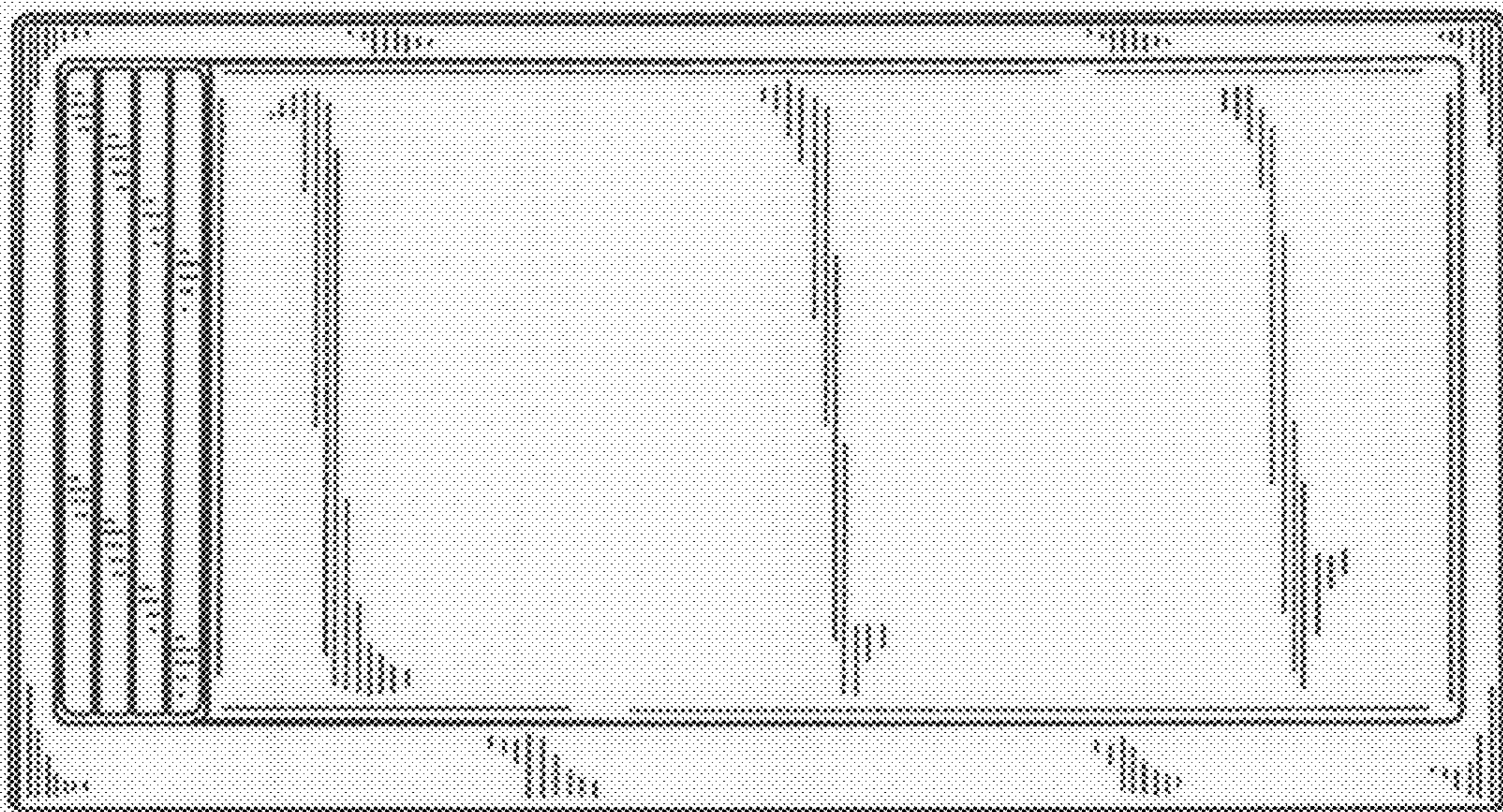


FIG. 2



FIG. 3

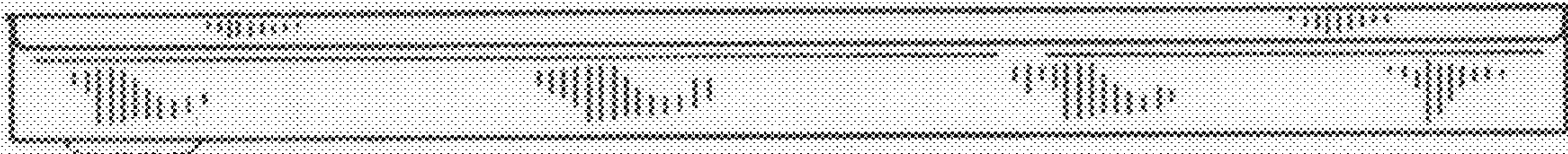


FIG. 4

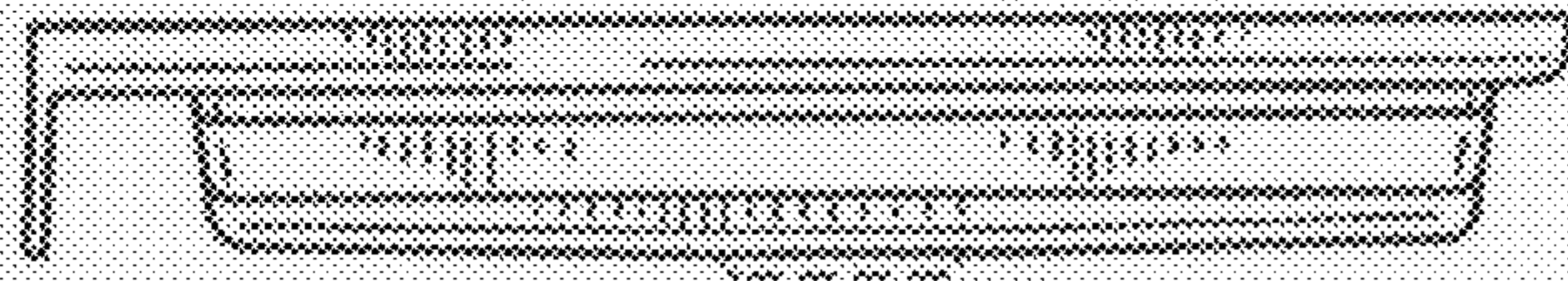


FIG. 5

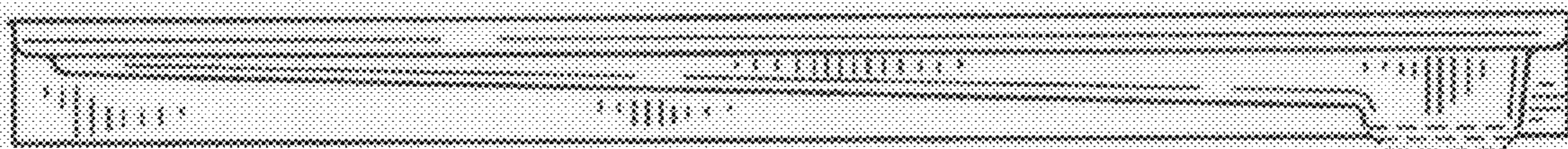
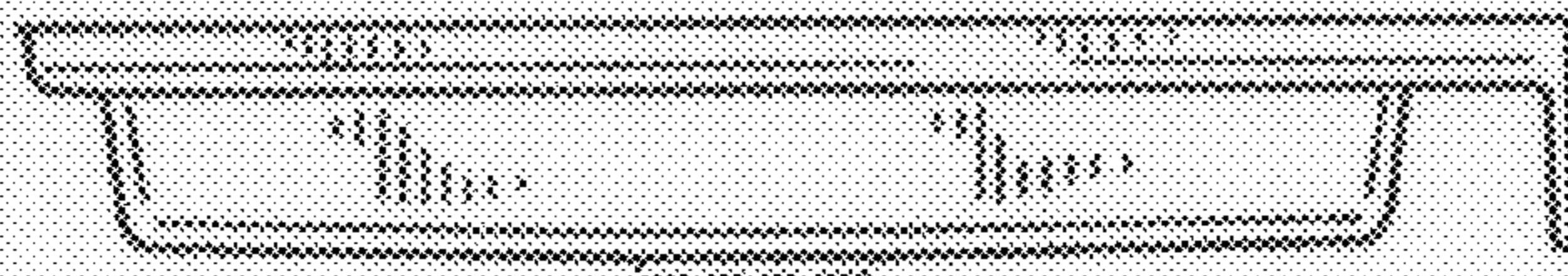


FIG. 6



FIG. 7

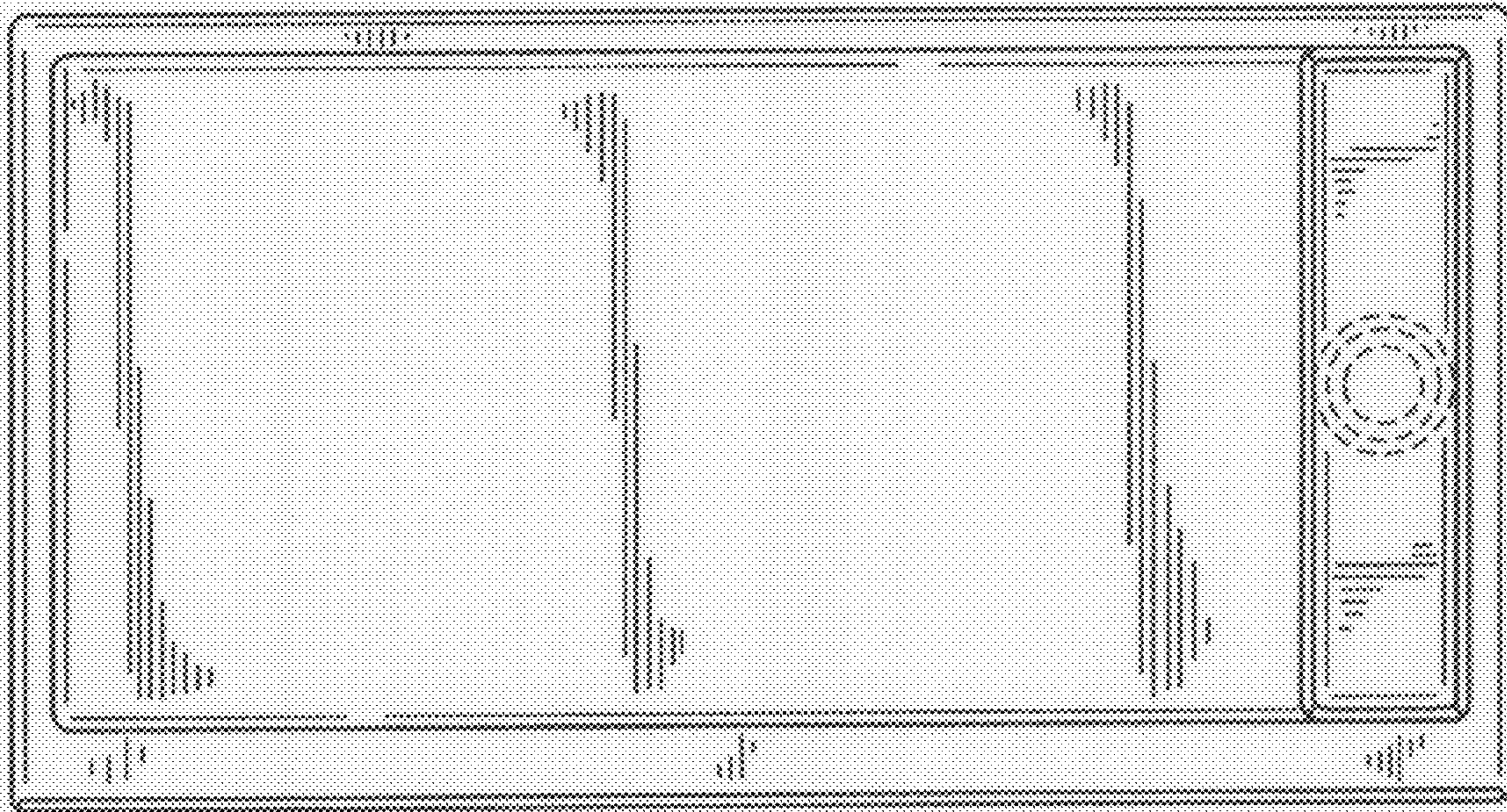


FIG. 8

