



US00D612026S

(12) **United States Design Patent**  
**Soulier**

(10) **Patent No.:** **US D612,026 S**  
(45) **Date of Patent:** **\*\* Mar. 16, 2010**

(54) **PLUMBING FIXTURE**

(75) Inventor: **Jean-Hugues Soulier**, Paris (FR)

(73) Assignee: **Kohler France SAS**, Paris (FR)

(\*\*) Term: **14 Years**

(21) Appl. No.: **29/320,613**

(22) Filed: **Jun. 30, 2008**

(30) **Foreign Application Priority Data**

Jan. 4, 2008 (EM) ..... 000853338-0001  
Jan. 4, 2008 (EM) ..... 000853361-0001

(51) **LOC (9) Cl.** ..... **23-02**

(52) **U.S. Cl.** ..... **D23/295**

(58) **Field of Classification Search** ..... D23/273–274,  
D23/295–301, 309; 4/663–664, 300, 329,  
4/353, 420, 443, 449, 902  
See application file for complete search history.

(56) **References Cited**

**U.S. PATENT DOCUMENTS**

D494,667 S \* 8/2004 Kergoet ..... D23/295  
D509,575 S \* 9/2005 Kergoet ..... D23/295  
D594,943 S \* 6/2009 Starck ..... D23/301

**FOREIGN PATENT DOCUMENTS**

RU D57013 6/2005  
TR DESIGN 2005/02608 10/2005  
TR DESIGN 2008/00302 7/2008

**OTHER PUBLICATIONS**

Jacob Delafon. “Abattant Toilette”. Jacob Delafon.com.fr online catalog.

Jacob Delafon. “Bidet Altair, Gris Celeste”. Jacob Delafon catalog. Villeroy & Boch Bath & Kitchen. “Gold Effect Bidet”. HomePortfolio.com online catalog. Copyright 1997-2007 HomePortfolio Inc.

Jacob Delafon. “Bidette”. Model No. K-11173A or K-11174A. Jacob Delafon catalog.

Eljer. “Valencia Bidet”. Model No. 101-1250. Eljer catalog.

\* cited by examiner

*Primary Examiner*—Robert A Delehanty

(74) *Attorney, Agent, or Firm*—Quarles & Brady LLP

(57) **CLAIM**

The ornamental design for a plumbing fixture, as shown and described.

**DESCRIPTION**

In a preferred embodiment, the nature of this product is as a plumbing fixture in the form of a wall-hangable bidet or toilet.

FIG. 1 is a left, top, front perspective view of a plumbing fixture embodying my new design;

FIG. 2 is a top plan view thereof;

FIG. 3 is a front elevational view thereof;

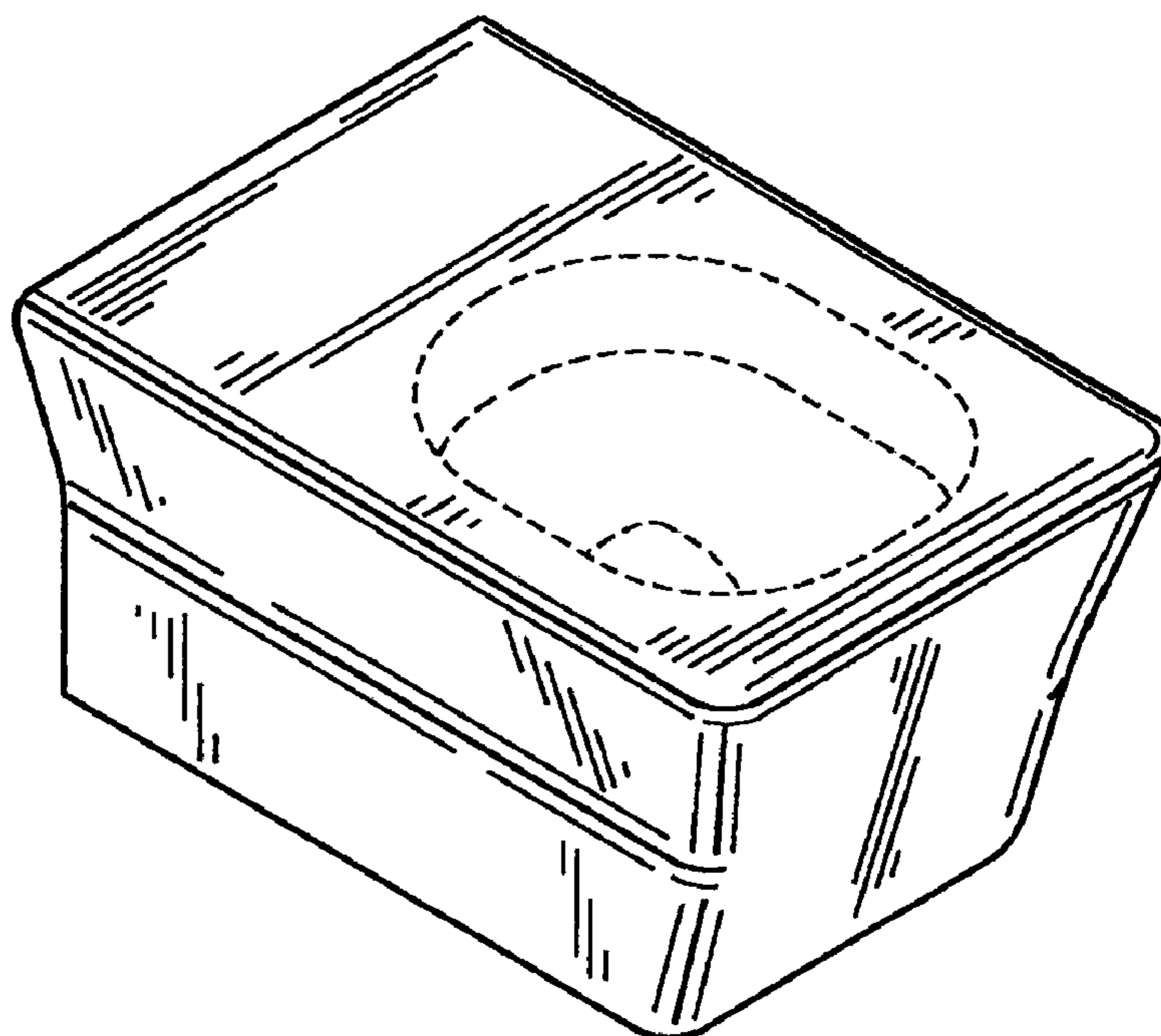
FIG. 4 is a left side elevational view thereof, the right side elevational view thereof being a mirror image of the left side shown;

FIG. 5 is a bottom plan view thereof; and,

FIG. 6 is a rear elevational view thereof.

The broken line representations in the figures are for the purpose of illustration only, and form no part of the claimed design.

**1 Claim, 3 Drawing Sheets**



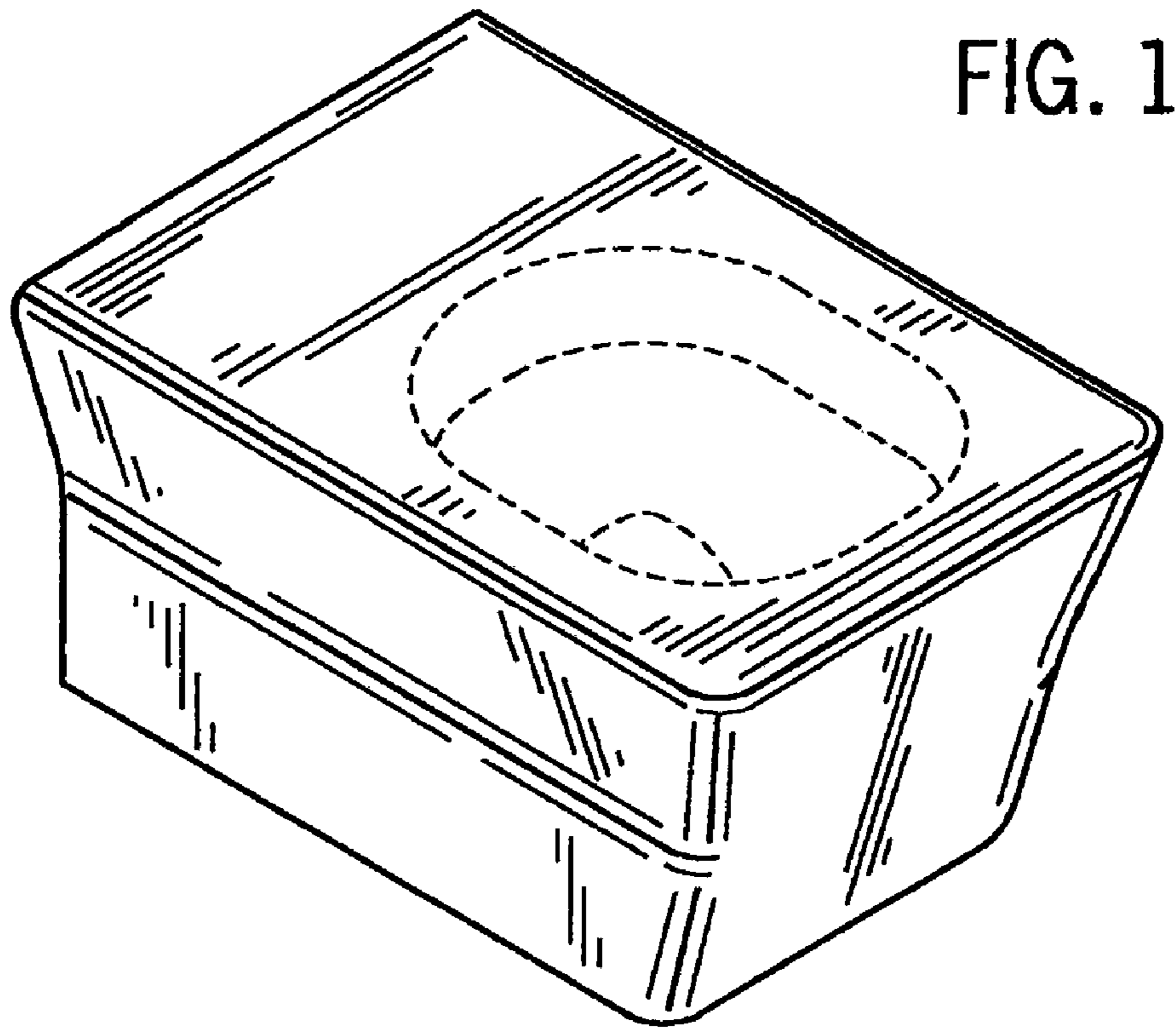


FIG. 1

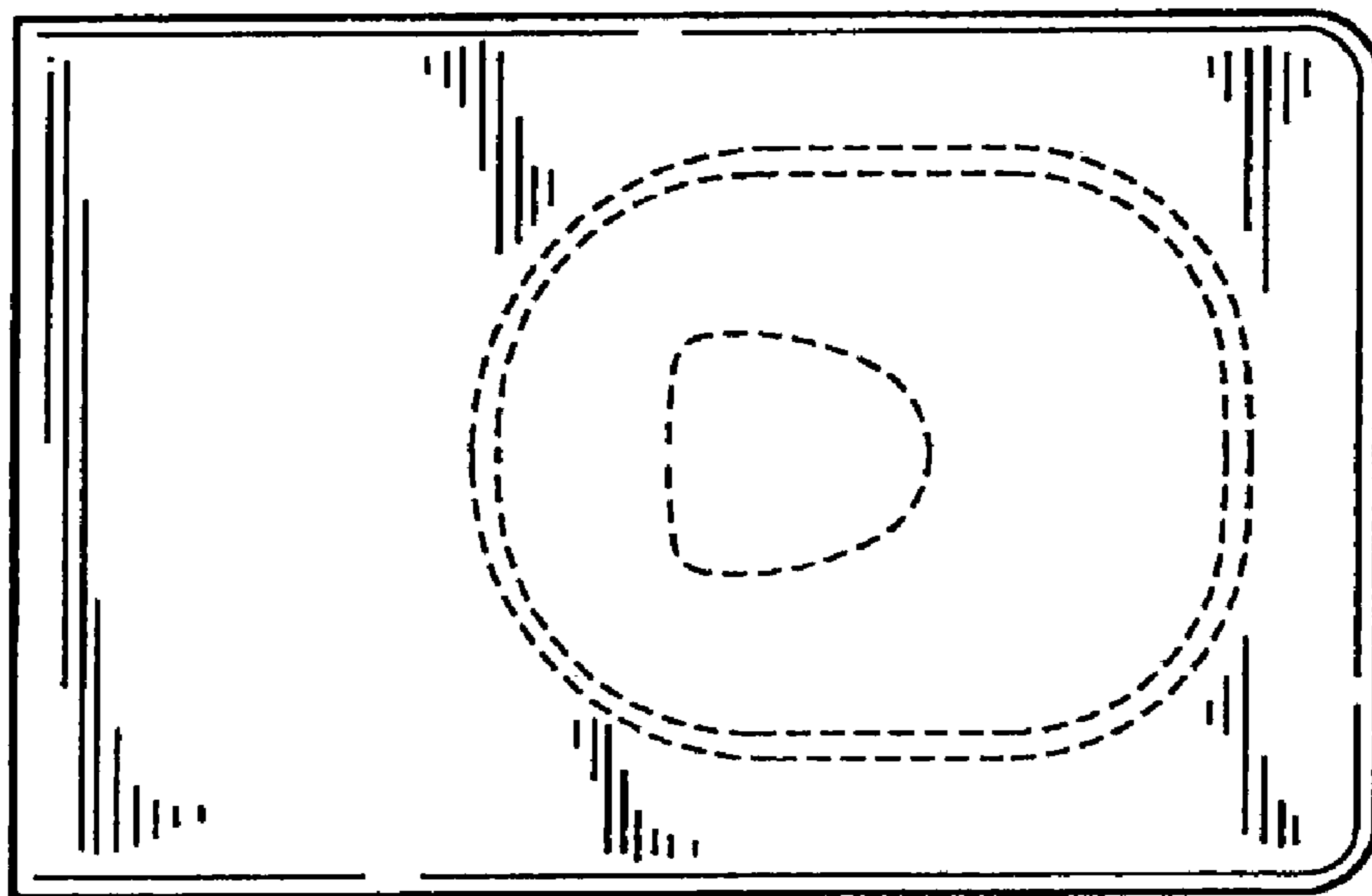


FIG. 2

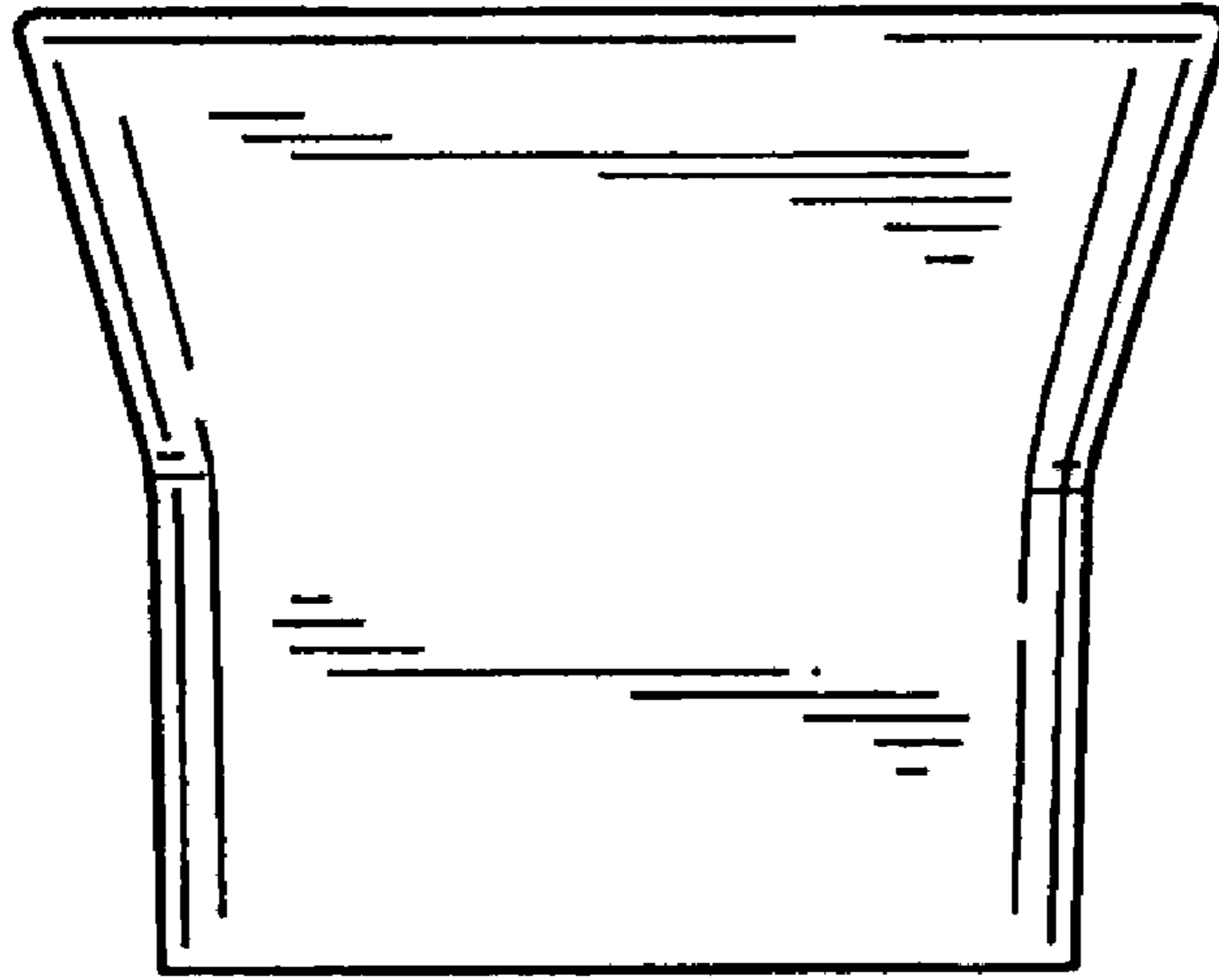


FIG. 3

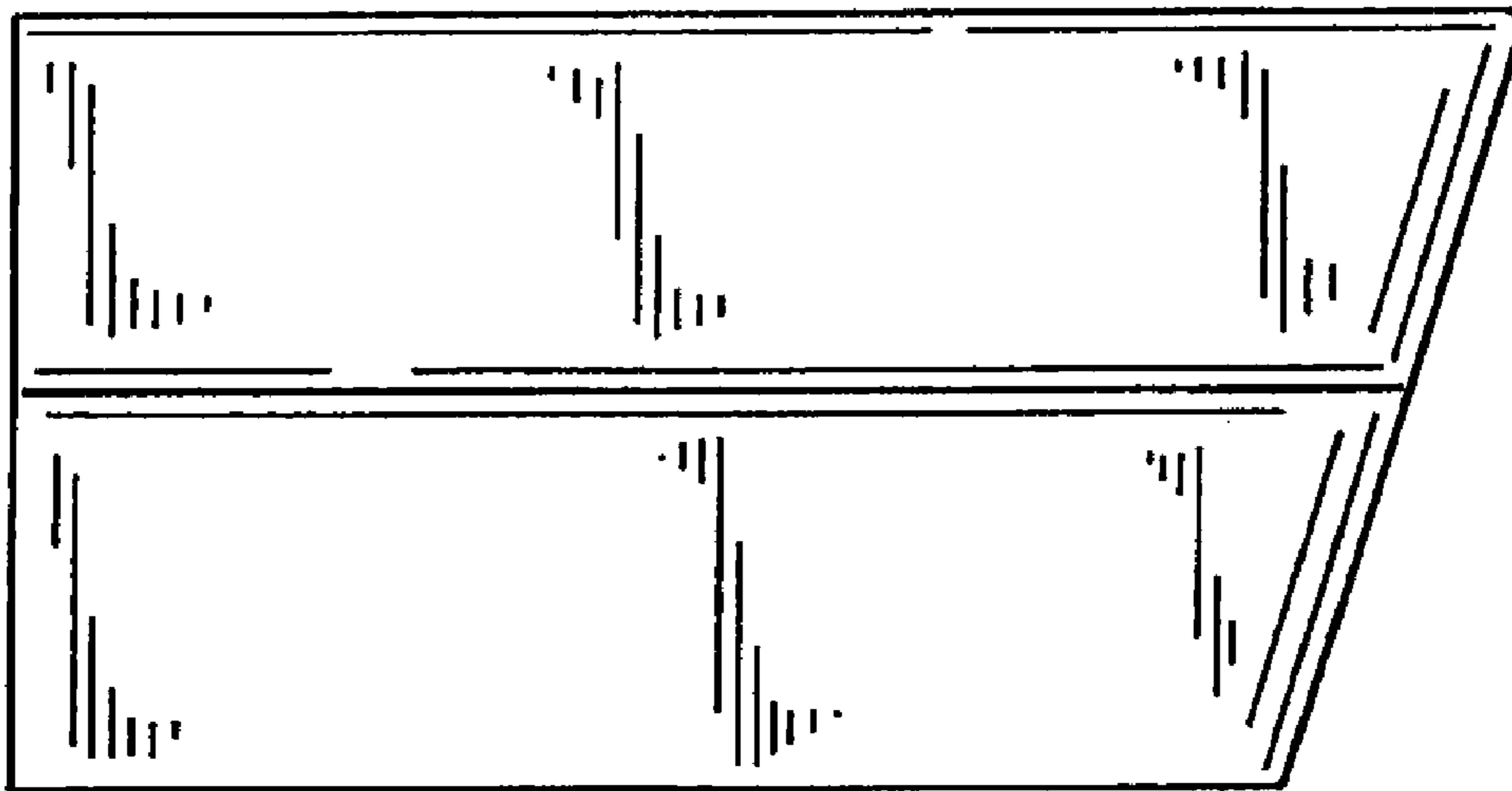


FIG. 4

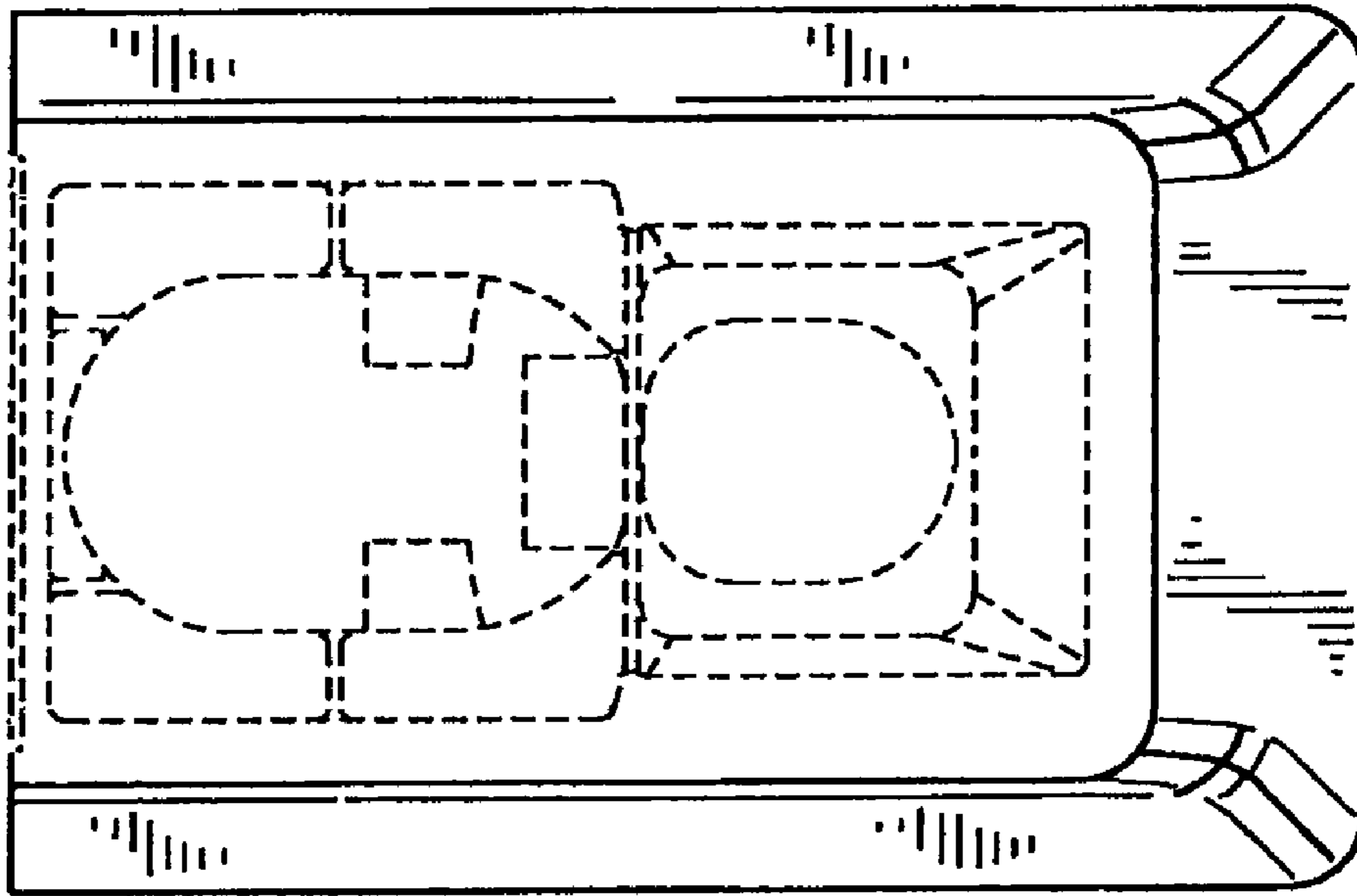


FIG. 5

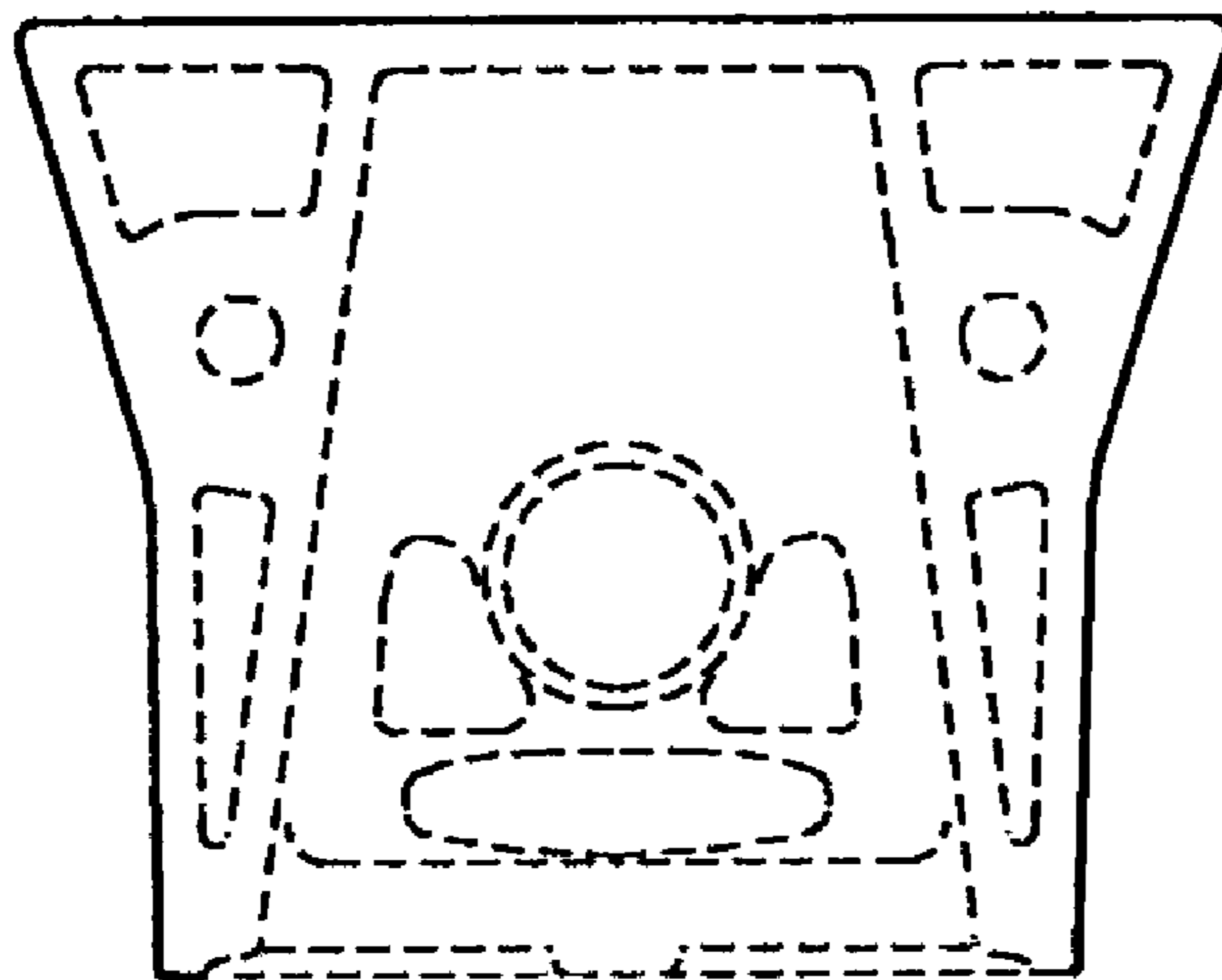


FIG. 6