



US00D612025S

(12) **United States Design Patent**  
**Tanus**

(10) **Patent No.:** **US D612,025 S**  
(45) **Date of Patent:** **\*\* Mar. 16, 2010**

(54) **VANITY TOP**

D585,116 S \* 1/2009 Thalmann Gomez et al. ... D23/284

(75) Inventor: **Abraham Tanus**, Weslaco, TX (US)

D588,682 S \* 3/2009 Maruhashi ..... D23/293.1

(73) Assignee: **Woodcrafters Home Products, LLC**,  
Weslaco, TX (US)

\* cited by examiner

*Primary Examiner*—Robert A Delehanty

(74) *Attorney, Agent, or Firm*—McGuire Woods LLP

(\*\*) Term: **14 Years**

(57) **CLAIM**

(21) Appl. No.: **29/337,931**

We claim the ornamental design for a vanity top, as shown and described.

(22) Filed: **Jun. 2, 2009**

(51) **LOC (9) Cl.** ..... **23-01**

**DESCRIPTION**

(52) **U.S. Cl.** ..... **D23/293.1**

FIG. 1 is a right front side perspective view of the vanity top; and

(58) **Field of Classification Search** ..... D23/284–287,  
D23/290–293.1, 308; 4/619, 637, 639–640,  
4/642

FIG. 2 is a top side view of the design embodiment shown in FIG. 1;

See application file for complete search history.

FIG. 3 is a front side view of the vanity top; and,

FIG. 4 is a side view of the vanity top.

(56) **References Cited**

The subject matter shown in dashed lines, and any surfaces of the design not shown, including interior surfaces, form no part of the claimed invention.

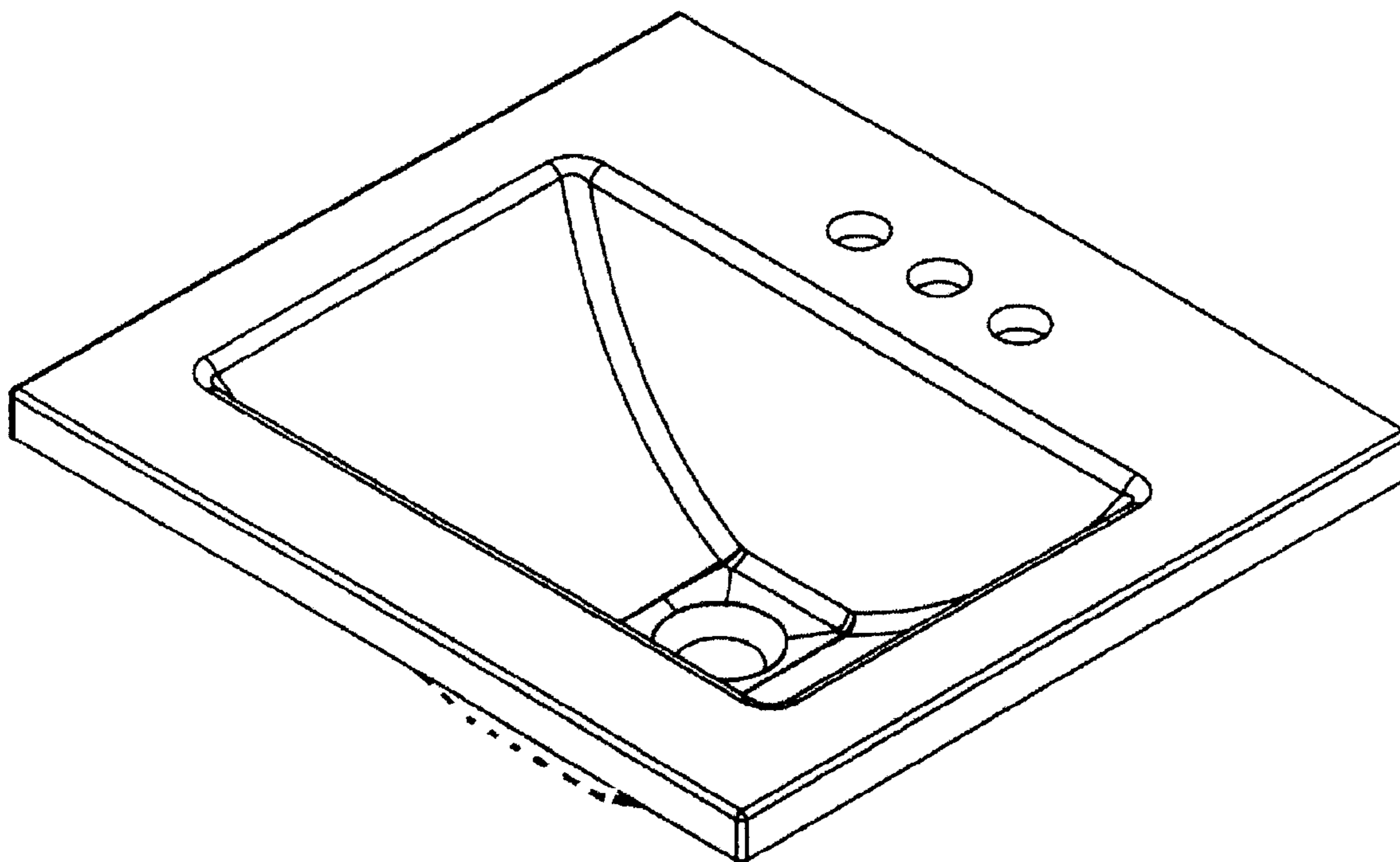
**U.S. PATENT DOCUMENTS**

D387,857 S \* 12/1997 McKeone ..... D23/284

D507,044 S \* 7/2005 Sutopo ..... D23/293.1

D538,905 S \* 3/2007 Wano ..... D23/293.1

**1 Claim, 4 Drawing Sheets**



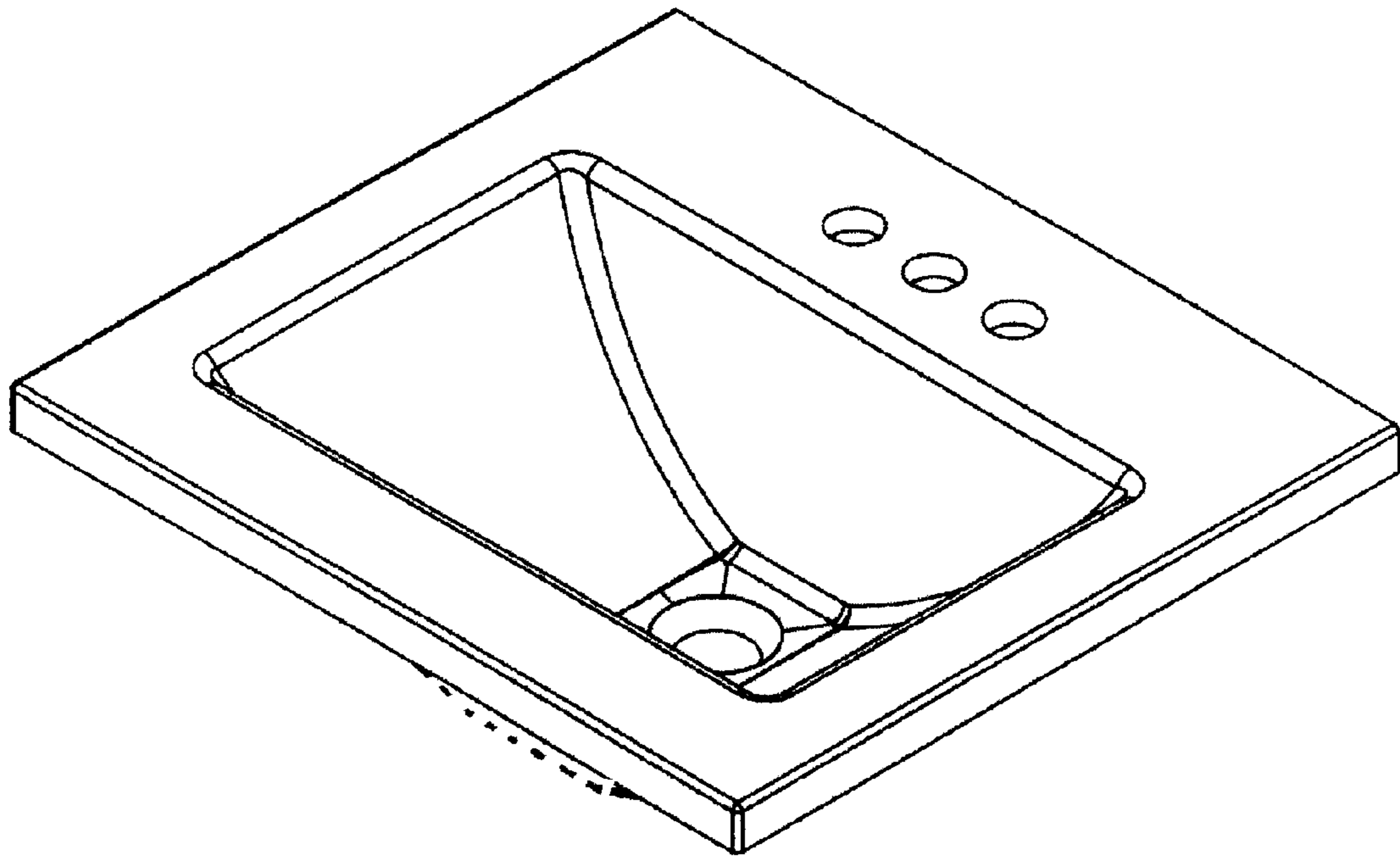


FIGURE 1

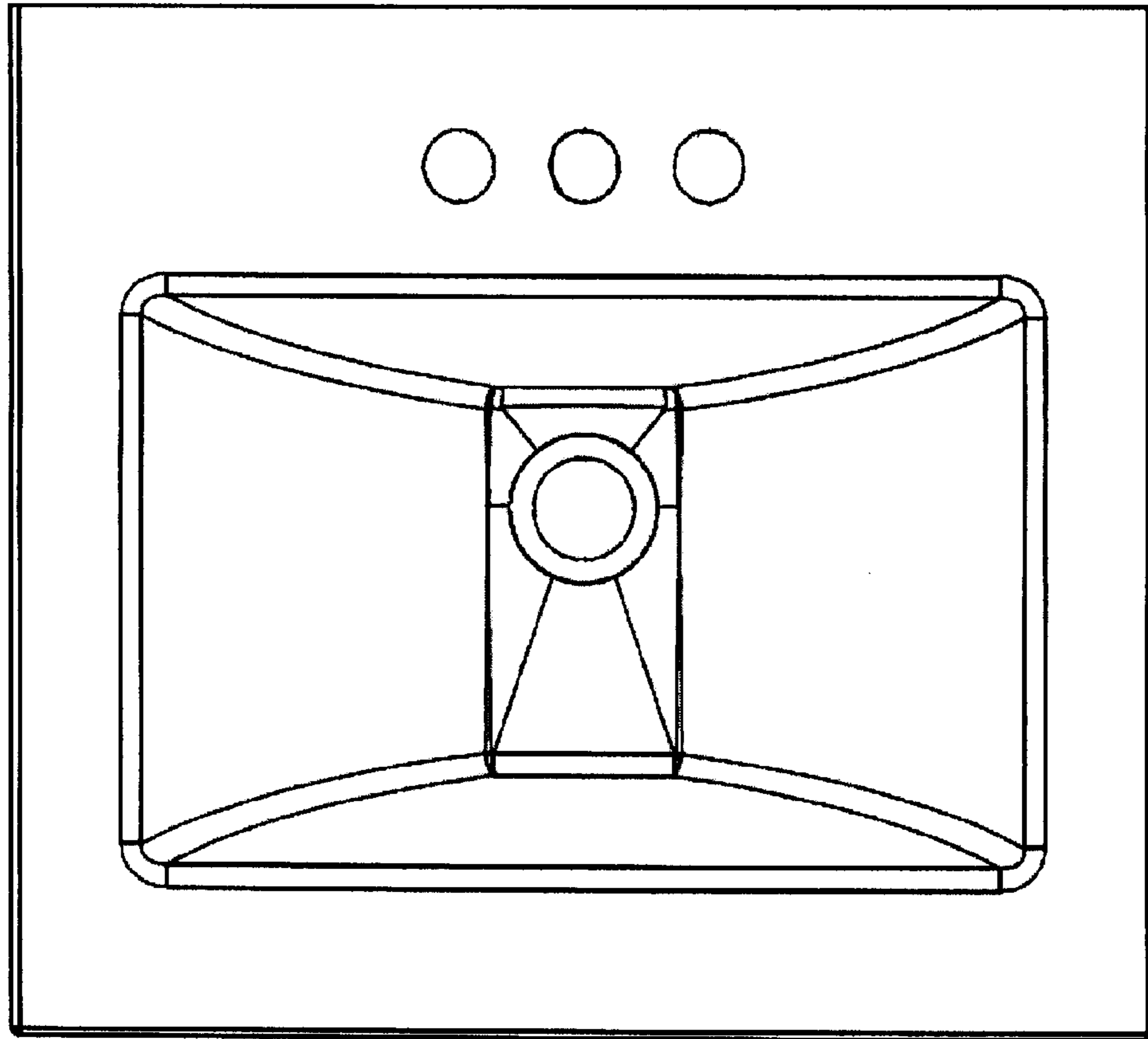


FIGURE 2

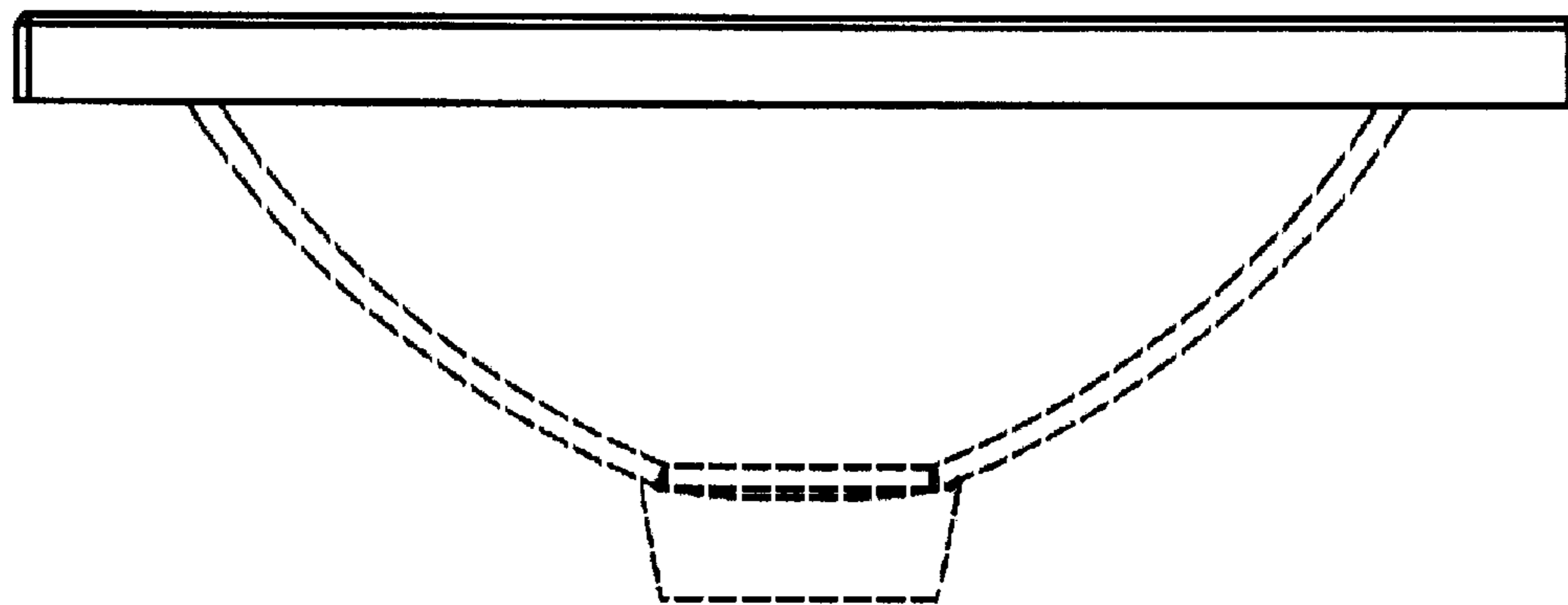


FIGURE 3

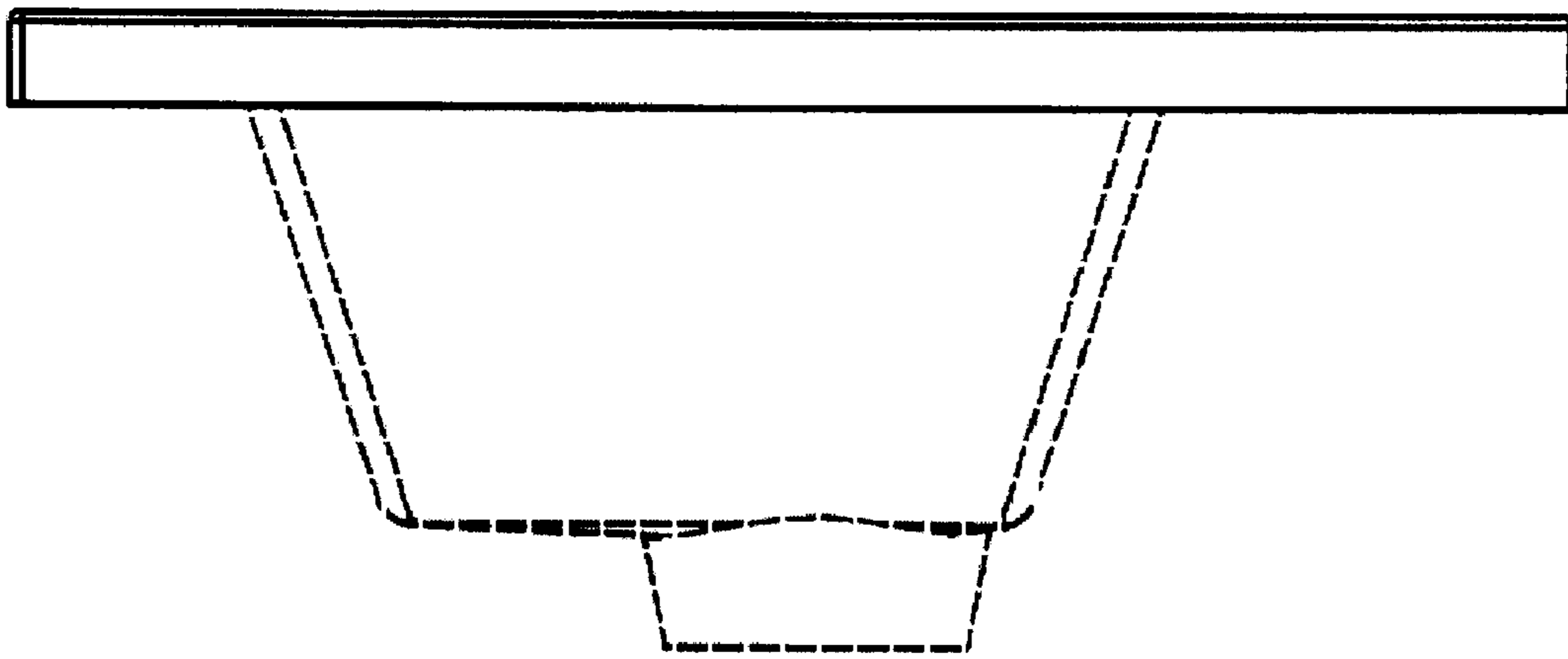


FIGURE 4