



US00D612024S

(12) **United States Design Patent**
Tanus

(10) **Patent No.:** **US D612,024 S**
(45) **Date of Patent:** **** Mar. 16, 2010**

(54) **VANITY TOP**

D598,080 S * 8/2009 Kergoet D23/284

(75) Inventor: **Abraham Tanus**, Weslaco, TX (US)

* cited by examiner

(73) Assignee: **Woodcrafters Home Products, LLC**,
Weslaco, TX (US)

Primary Examiner—Robert A Delehanty
(74) *Attorney, Agent, or Firm*—McGuire Woods LLP

(**) Term: **14 Years**

(57) **CLAIM**

(21) Appl. No.: **29/337,930**

We claim the ornamental design for a vanity top, as shown and described.

(22) Filed: **Jun. 2, 2009**

DESCRIPTION

(51) **LOC (9) Cl.** **23-01**

(52) **U.S. Cl.** **D23/293.1**

(58) **Field of Classification Search** D23/284–287,
D23/290–293.1, 308; 4/619, 637, 639–640,
4/642

FIG. 1 is a right front side perspective view of the vanity top;

FIG. 2 is a top, top right front, front and side view of the design embodiment shown in FIG. 1;

FIG. 3 is a front view of the vanity top; and,

FIG. 4 is a side view of the vanity top.

See application file for complete search history.

The subject matter shown in dashed lines, and any surfaces of the design not shown, including interior surfaces, form no part of the claimed invention.

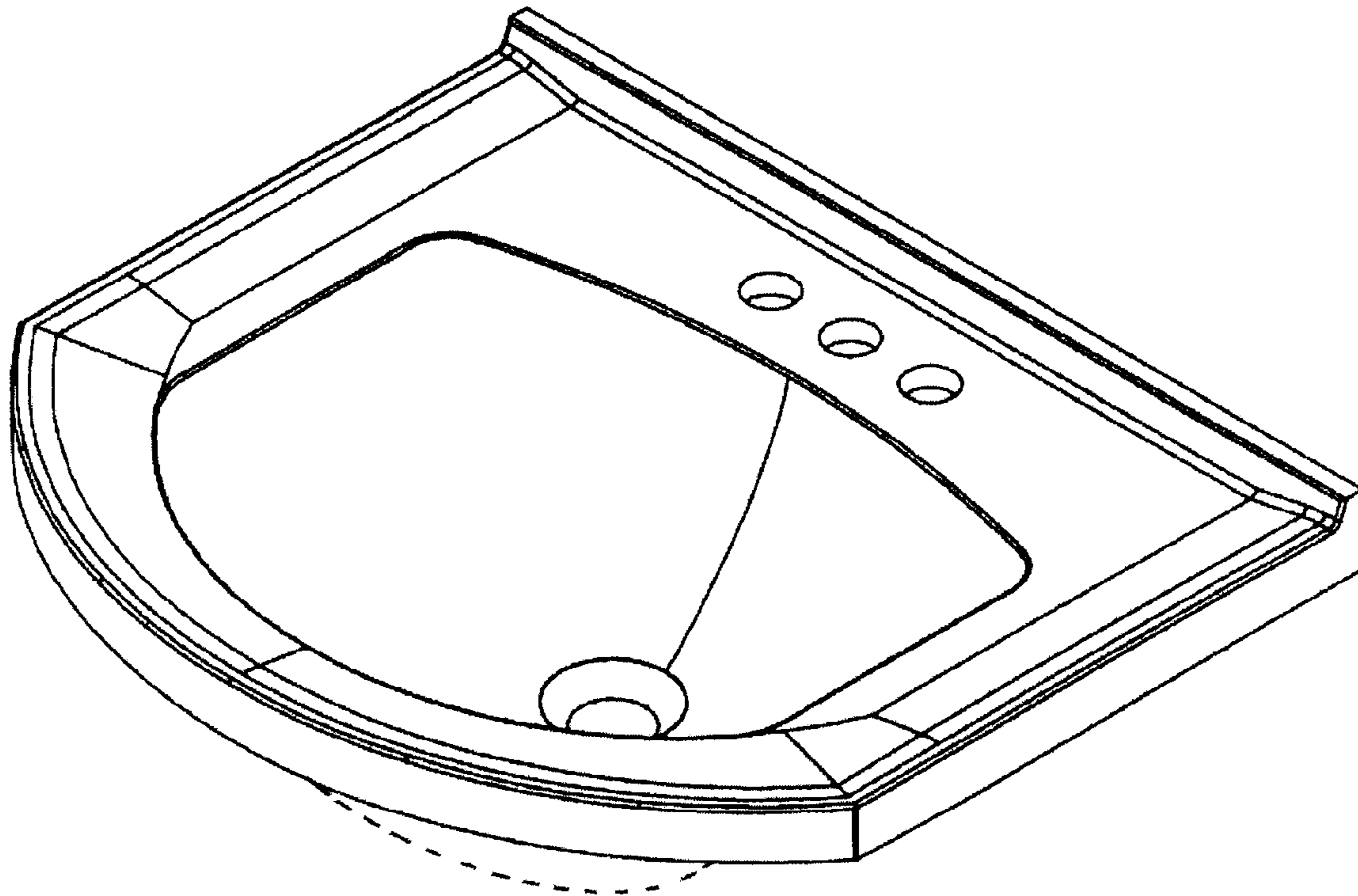
(56) **References Cited**

U.S. PATENT DOCUMENTS

D509,887 S * 9/2005 Sutopo D23/293.1

D539,878 S * 4/2007 Hou D23/293.1

1 Claim, 4 Drawing Sheets



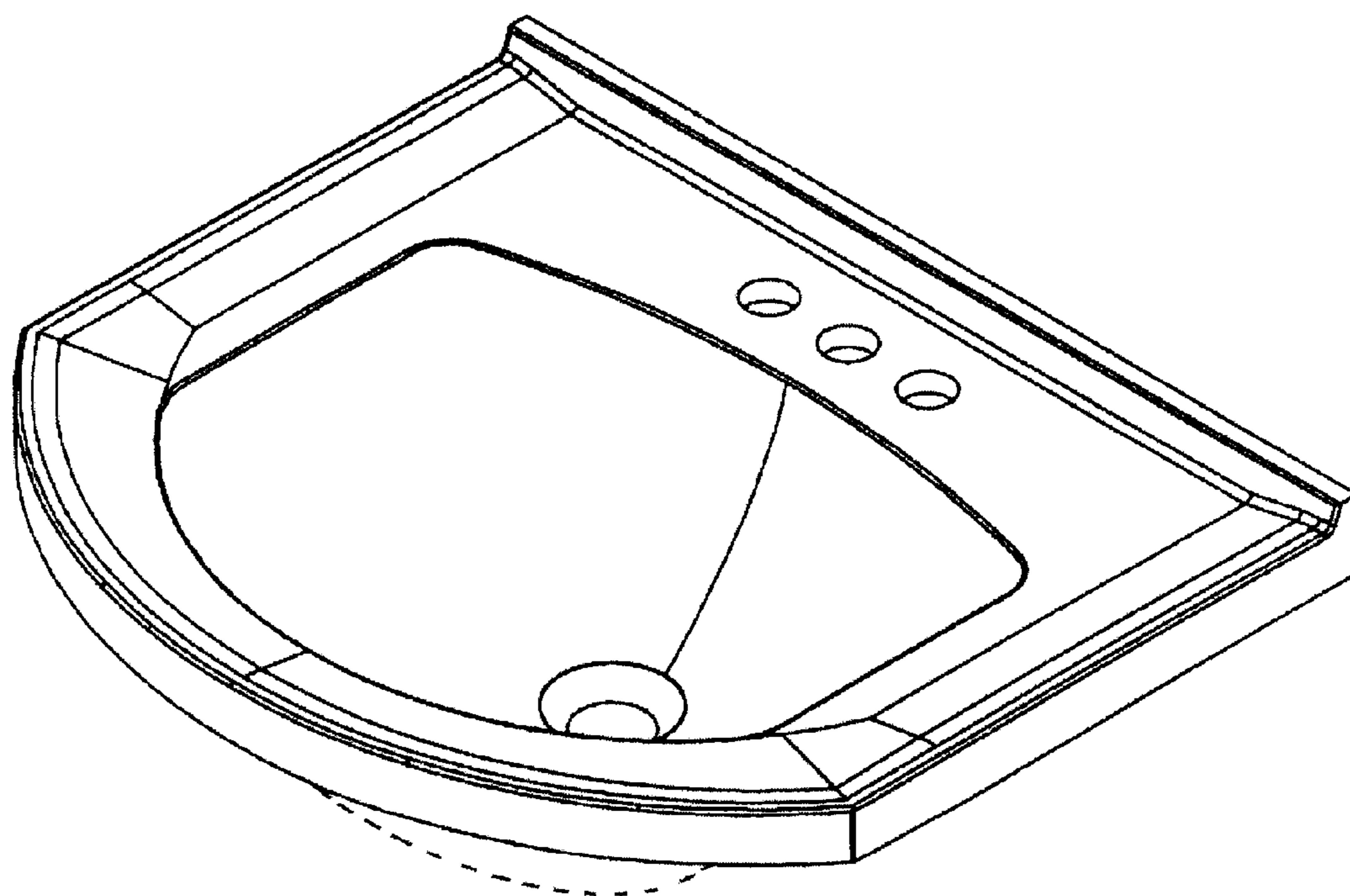


FIGURE 1

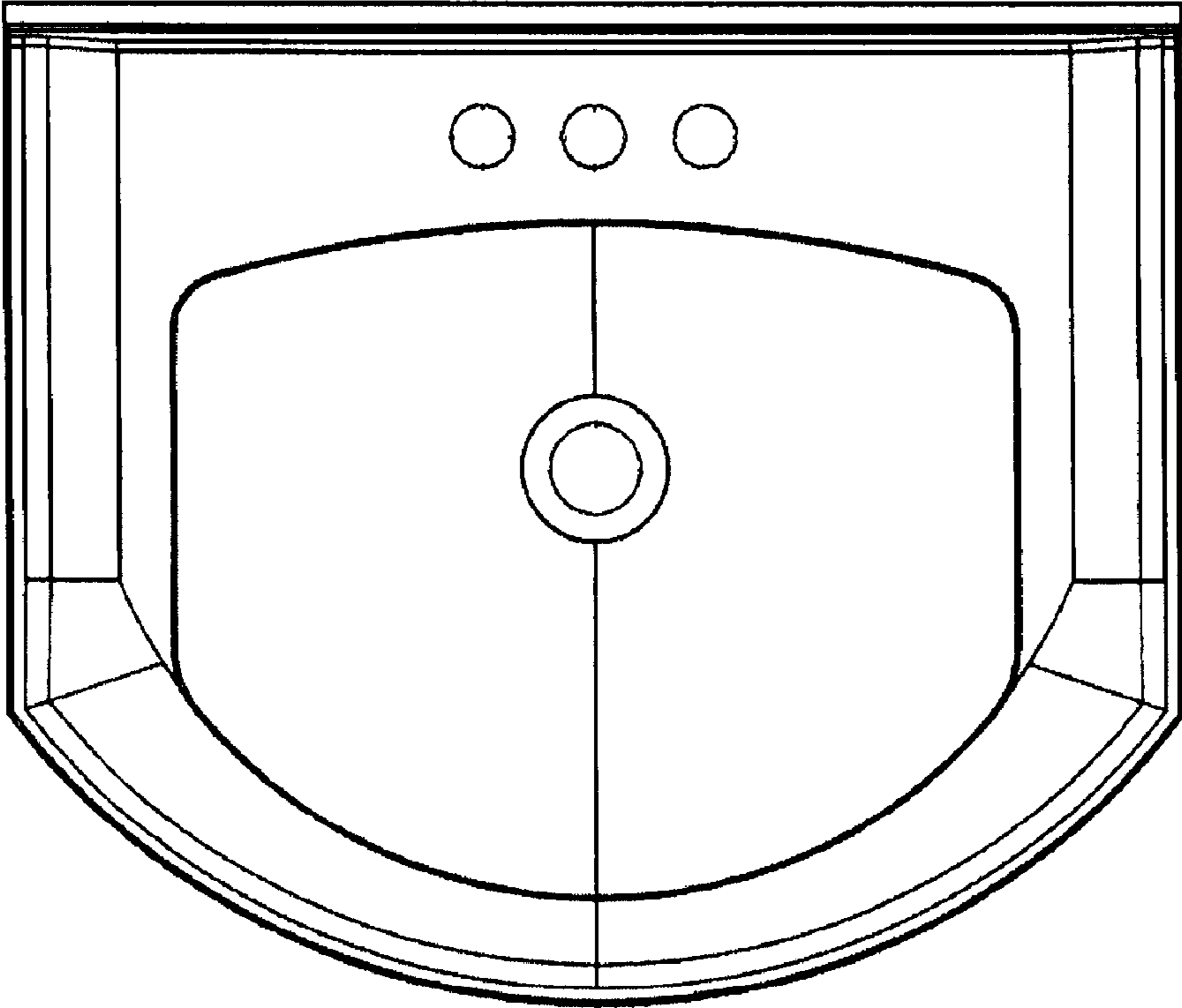


FIGURE 2

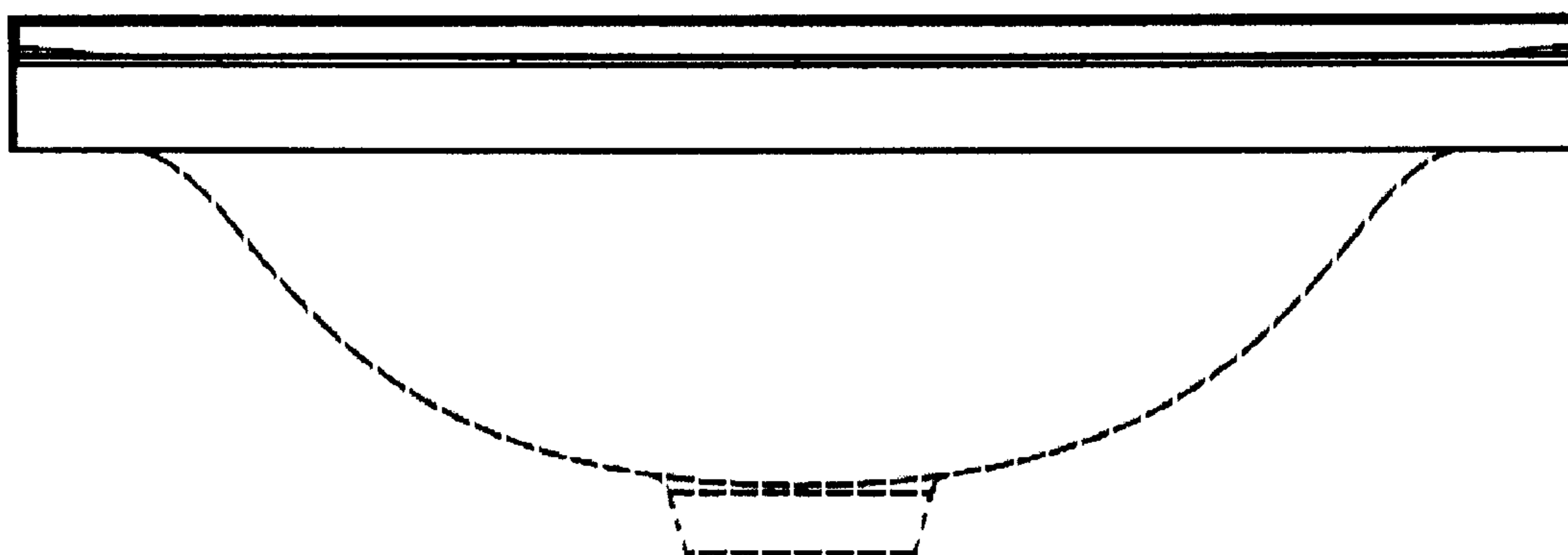


FIGURE 3

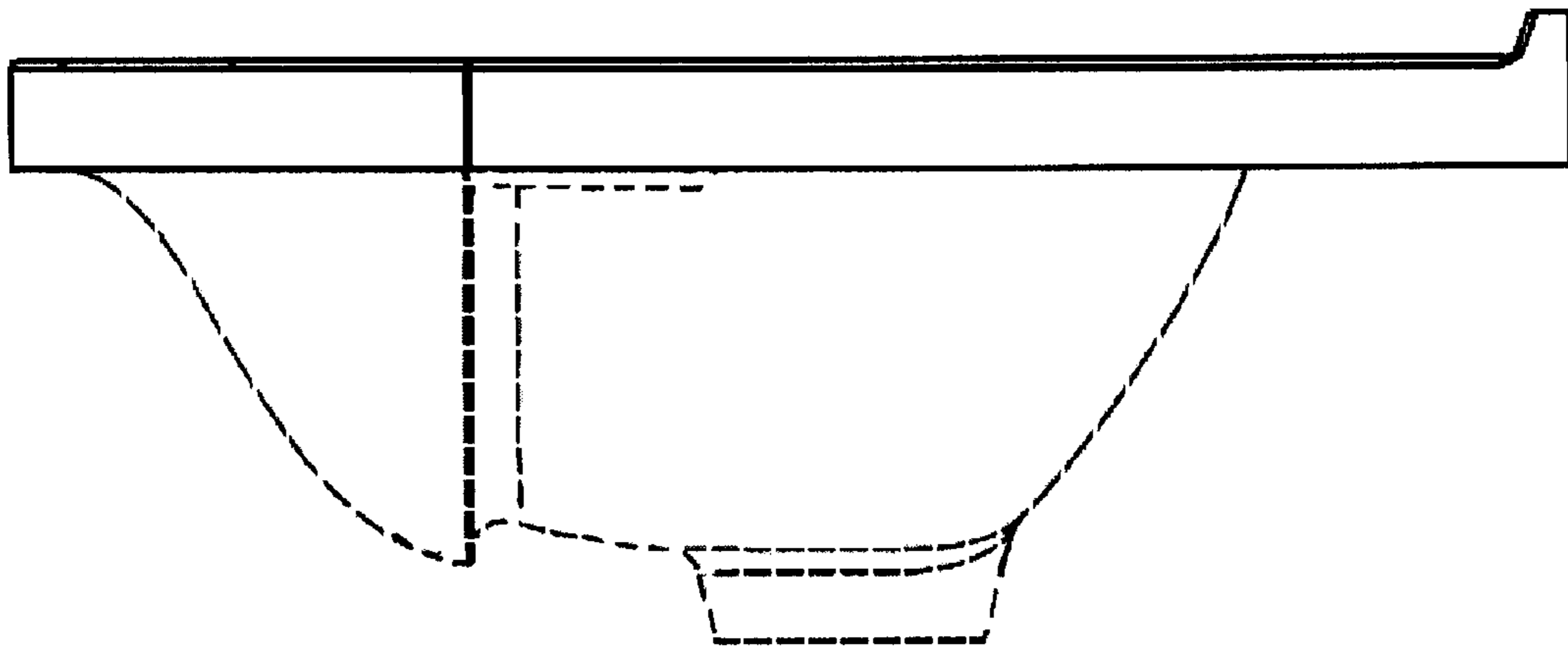


FIGURE 4