



US00D612022S

(12) **United States Design Patent**
Nattrass et al.

(10) **Patent No.:** **US D612,022 S**
(45) **Date of Patent:** **** Mar. 16, 2010**

(54) **SHALLOW DRAINAGE CHANNEL**

(75) Inventors: **Nigel Nattrass**, Rhodes (AU); **Owen Edward Luke**, Kiama Heights (AU)

(73) Assignee: **Reln Pty Ltd** (AU)

(**) Term: **14 Years**

(21) Appl. No.: **29/338,696**

(22) Filed: **Jun. 17, 2009**

(30) **Foreign Application Priority Data**

Dec. 18, 2008 (AU) 15959/2008

(51) **LOC (9) Cl.** **23-01**

(52) **U.S. Cl.** **D23/267**

(58) **Field of Classification Search** D23/259–269;
52/11–13, 16; 248/48.1; 404/4–5, 2; 405/118;
D25/119

See application file for complete search history.

(56) **References Cited**

U.S. PATENT DOCUMENTS

D255,886	S *	7/1980	Flynn	D11/156
D377,389	S *	1/1997	Phillips et al.	D23/261
5,718,537	A *	2/1998	Becker et al.	405/119
5,971,662	A *	10/1999	Becker et al.	405/119
6,113,311	A *	9/2000	Becker et al.	405/119
6,860,678	B2 *	3/2005	Gunter	405/118
D519,601	S *	4/2006	Addison	D23/209
7,048,466	B2 *	5/2006	Benesteau et al.	404/4
D540,438	S *	4/2007	Nattrass	D23/267

7,252,457	B2 *	8/2007	Humphries et al.	405/35
D565,148	S *	3/2008	Addison	D23/209
D583,913	S *	12/2008	Nattrass et al.	D23/261
2005/0055887	A1 *	3/2005	Benesteau et al.	52/11
2009/0103982	A1 *	4/2009	Hodgekins et al.	405/118

* cited by examiner

Primary Examiner—T. Chase Nelson

Assistant Examiner—Eric L Goodman

(74) *Attorney, Agent, or Firm*—Barnes & Thornburg LLP

(57) **CLAIM**

The ornamental design for a shallow drainage channel, as shown and described.

DESCRIPTION

FIG. 1 is a top perspective view of the shallow drainage channel;

FIG. 2 is a bottom perspective view of the shallow drainage channel;

FIG. 3 is a side elevation view of the shallow drainage channel looking in direction 3 as shown in FIG. 1;

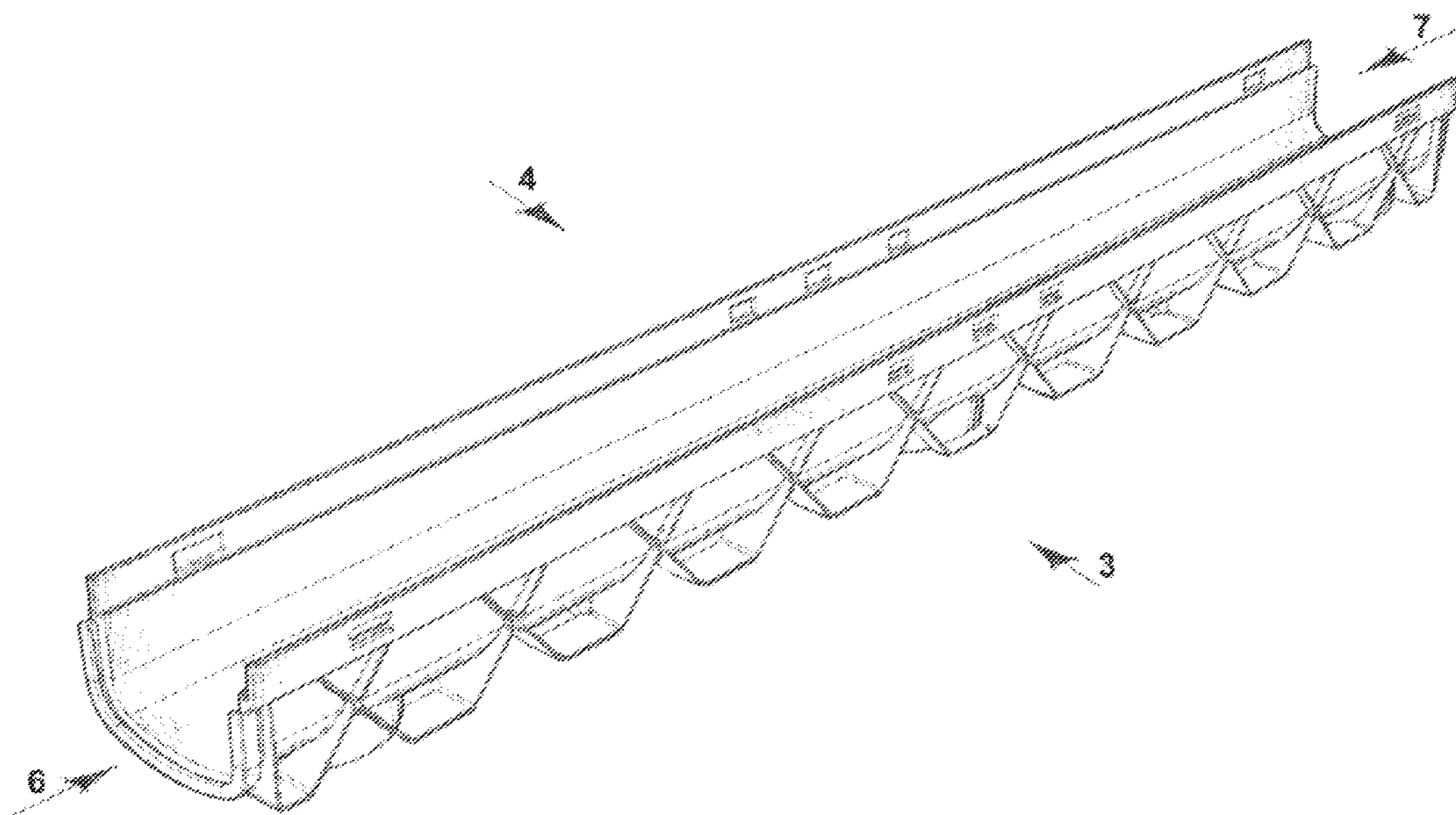
FIG. 4 is a side elevation view of the shallow drainage channel looking in direction 4 as shown in FIG. 1;

FIG. 5 is a bottom view of the shallow drainage channel;

FIG. 6 is an end view of the shallow drainage channel looking in direction 6 as shown in FIG. 1; and,

FIG. 7 is an end view of the shallow drainage channel looking in direction 7 as shown in FIG. 1.

1 Claim, 4 Drawing Sheets



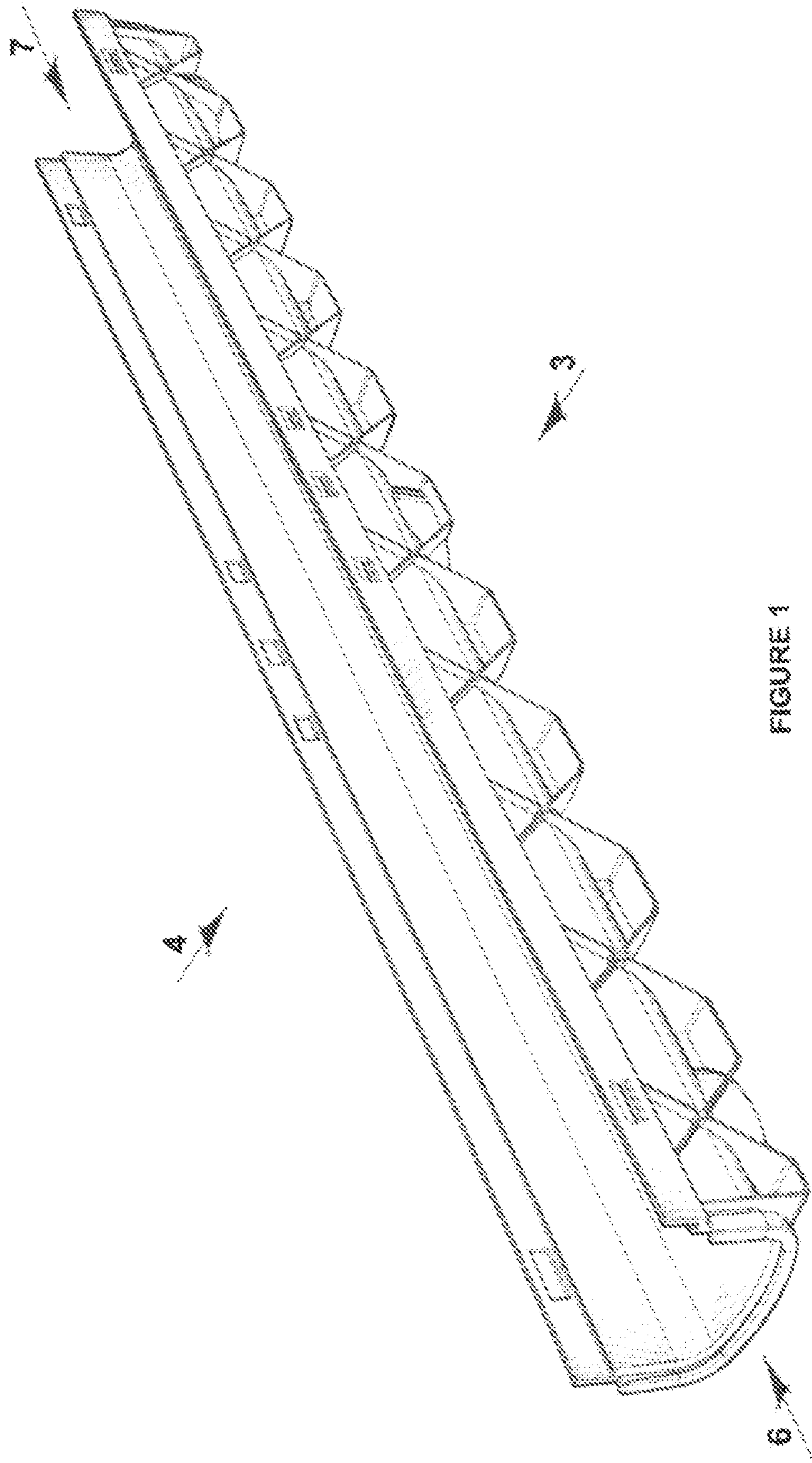


FIGURE 1

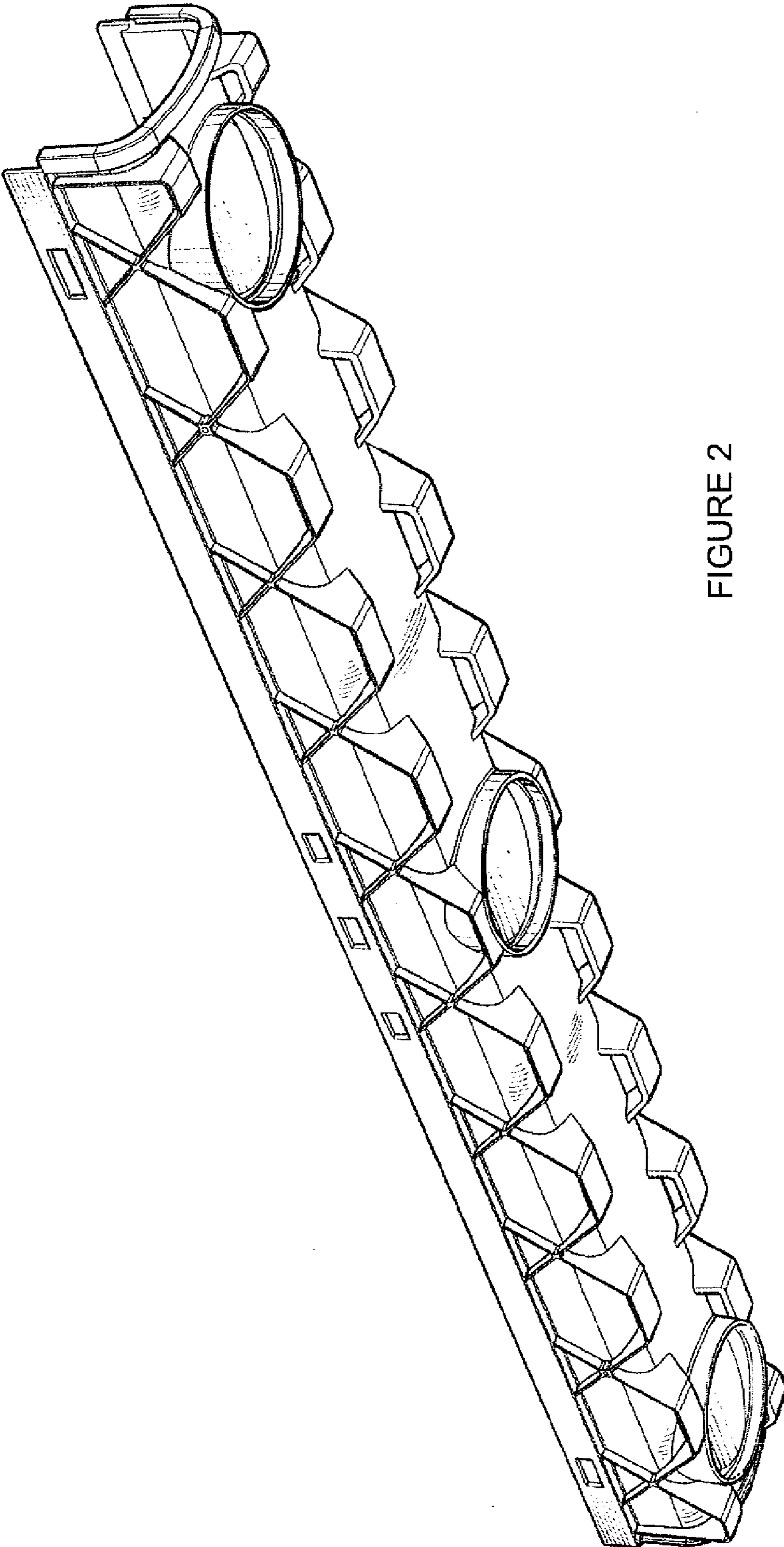


FIGURE 2

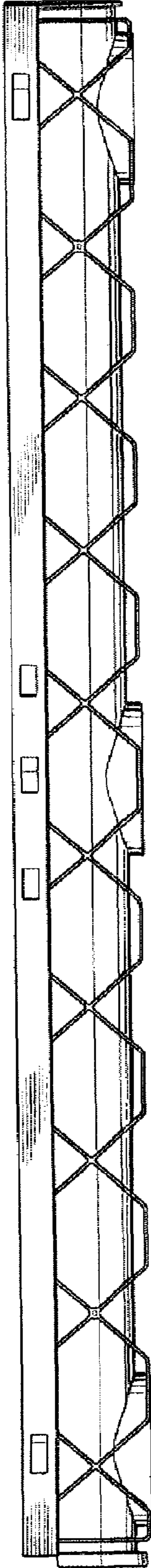


FIGURE 3

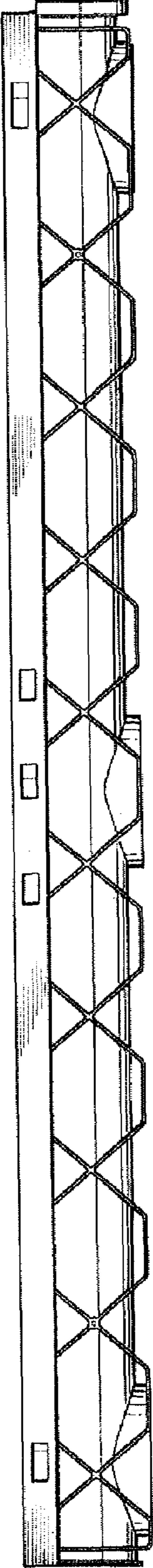


FIGURE 4

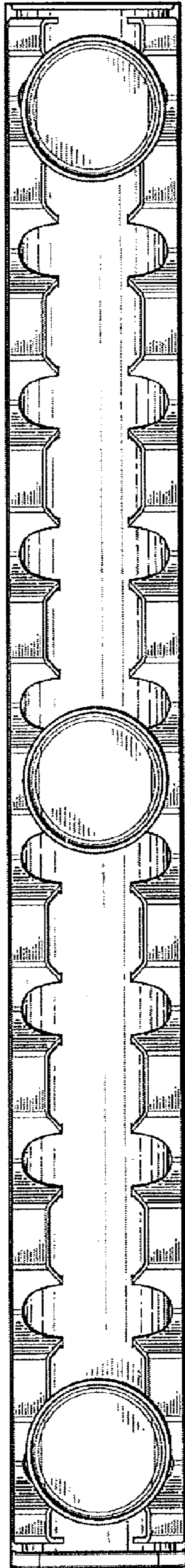


FIGURE 5

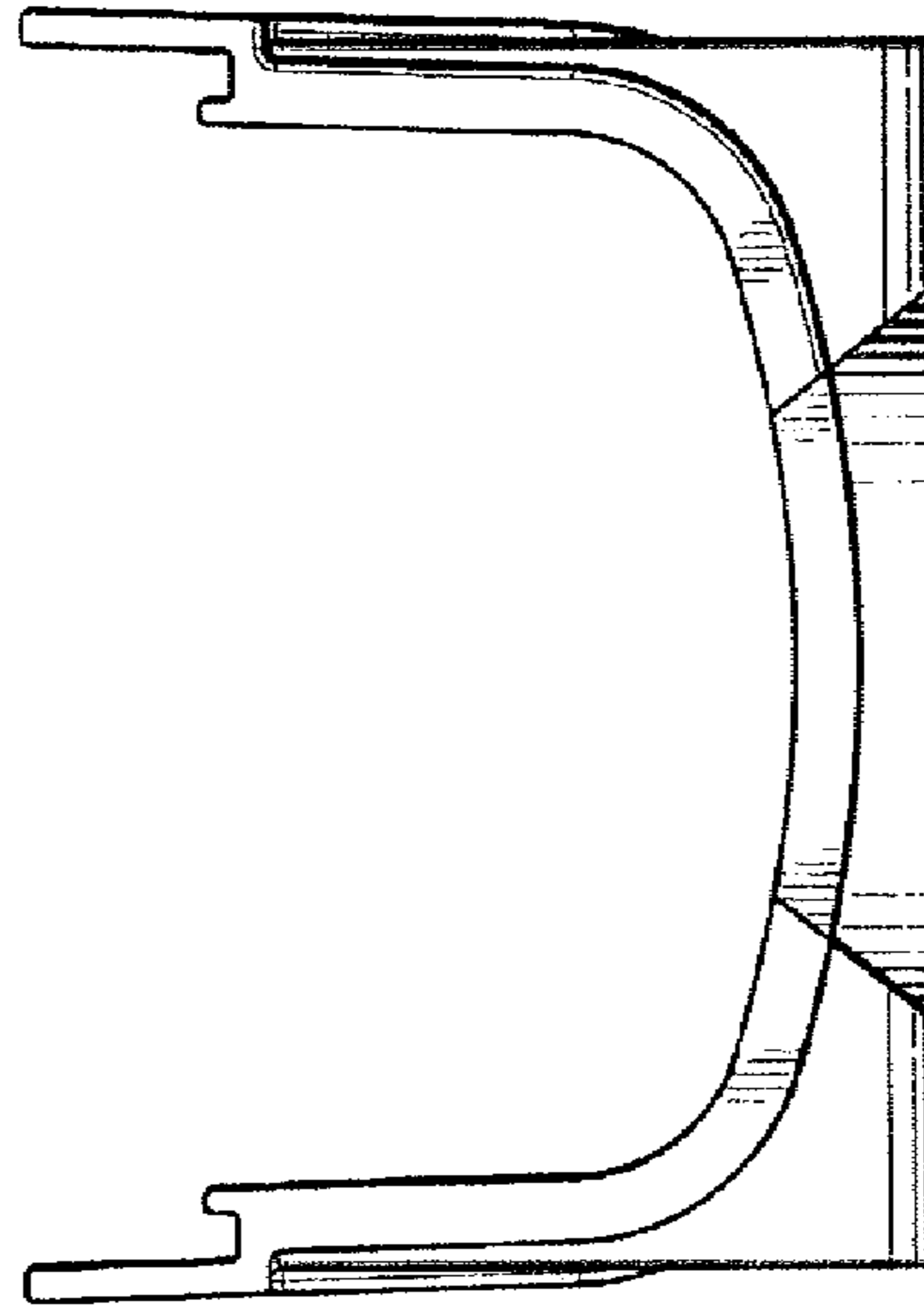


FIGURE 7

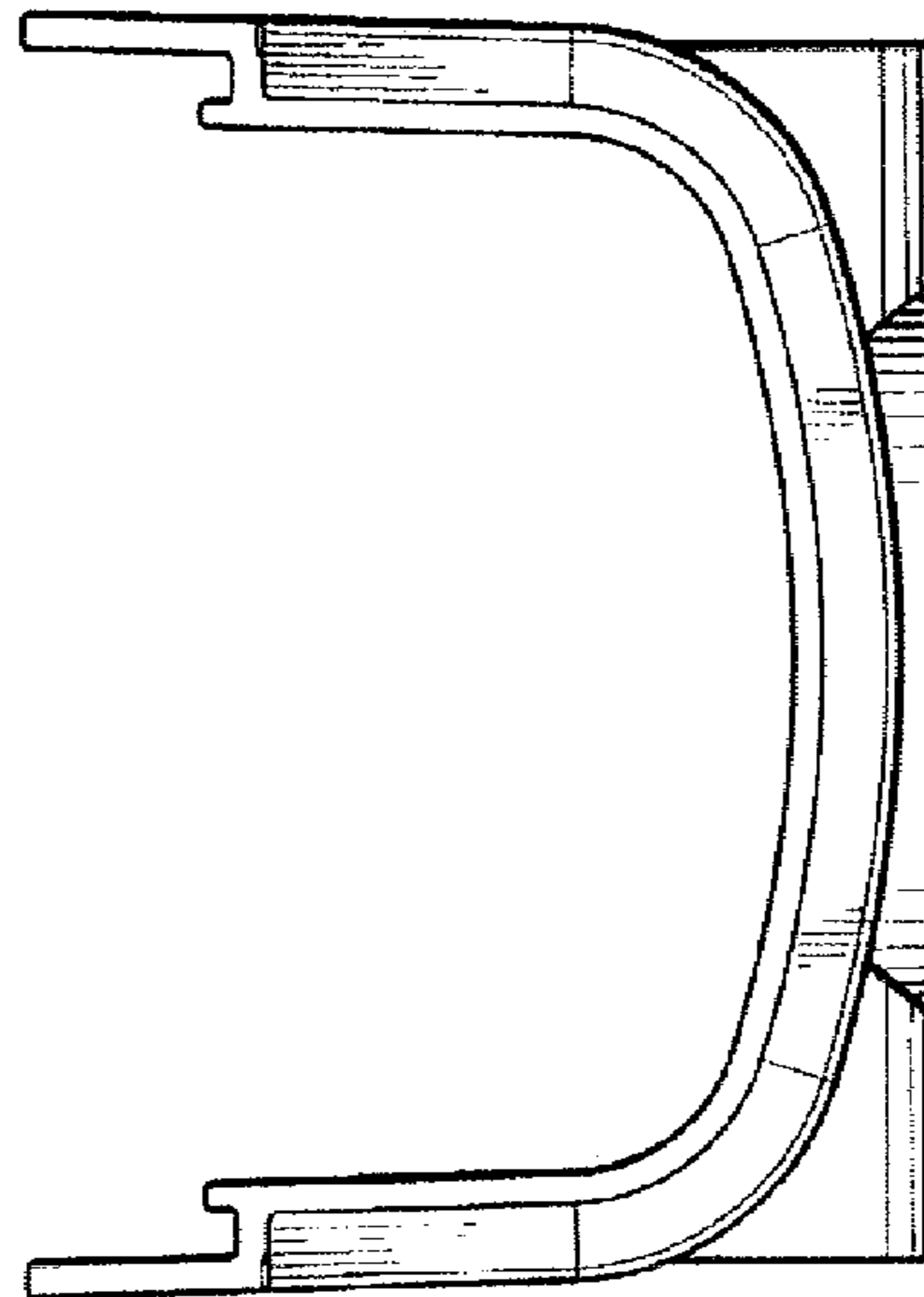


FIGURE 6