



US00D612021S

(12) **United States Design Patent**
Schmidt

(10) **Patent No.:** **US D612,021 S**
(45) **Date of Patent:** **** Mar. 16, 2010**

(54) **FLUID COUPLING FACE**

(75) Inventor: **Mark F. Schmidt**, Forest Lake, MN
(US)

(73) Assignee: **Colder Products Company**, St. Paul,
MN (US)

(**) Term: **14 Years**

(21) Appl. No.: **29/337,279**

(22) Filed: **May 19, 2009**

Related U.S. Application Data

(63) Continuation of application No. 11/935,264, filed on
Nov. 5, 2007, now Pat. No. 7,562,906, which is a
continuation of application No. 10/892,914, filed on
Jul. 15, 2004, now Pat. No. 7,434,842.

(51) **LOC (9) Cl.** **23-01**

(52) **U.S. Cl.** **D23/262**

(58) **Field of Classification Search** D23/259–269;
D8/330–331, 343, 387, 397; 4/286–287,
4/295; 138/89, 91; 217/110; 220/288; 222/552,
222/554, 546, 563; 285/139.1, 148.18, 148.23,
285/242, 251, 256, 331, 353, 423, 921; 174/665
See application file for complete search history.

(56) **References Cited**

U.S. PATENT DOCUMENTS

D42,368 S	3/1912	Mossberg	
4,116,476 A	9/1978	Porter et al.	
D275,316 S *	8/1984	Hayes	D23/262
4,613,112 A	9/1986	Plipot et al.	
4,863,201 A	9/1989	Carstens	
5,033,777 A	7/1991	Blenkush	
5,052,725 A	10/1991	Meyer et al.	
D343,566 S *	1/1994	Doxey	D8/343
5,316,041 A	5/1994	Ramacier, Jr. et al.	
5,494,074 A	2/1996	Ramacier, Jr. et al.	

5,791,632 A *	8/1998	Brenes	251/329
5,845,943 A	12/1998	Ramacier, Jr. et al.	
D412,099 S *	7/1999	Korhonen	D8/331
5,975,489 A	11/1999	deCler et al.	
6,112,855 A	9/2000	Camacho et al.	
D474,098 S *	5/2003	Weinerman et al.	D8/330
6,926,377 B2 *	8/2005	Lammens et al.	312/333
7,040,670 B2	5/2006	Madden	
7,338,086 B2 *	3/2008	Poder et al.	285/81
7,434,842 B2	10/2008	Schmidt	
D585,724 S *	2/2009	Wu et al.	D8/331
D596,920 S *	7/2009	Cotton et al.	D8/331

FOREIGN PATENT DOCUMENTS

BE 479 098 1/1948

OTHER PUBLICATIONS

Photographs of Product Part No. APC10004, Colder Products Com-
pany, 10 pages.

* cited by examiner

Primary Examiner—T. Chase Nelson

Assistant Examiner—Eric L Goodman

(74) *Attorney, Agent, or Firm*—Merchant & Gould P.C.

(57) **CLAIM**

The ornamental design for the fluid coupling face, as shown
and described.

DESCRIPTION

FIG. 1 is a top perspective view of the fluid coupling face.

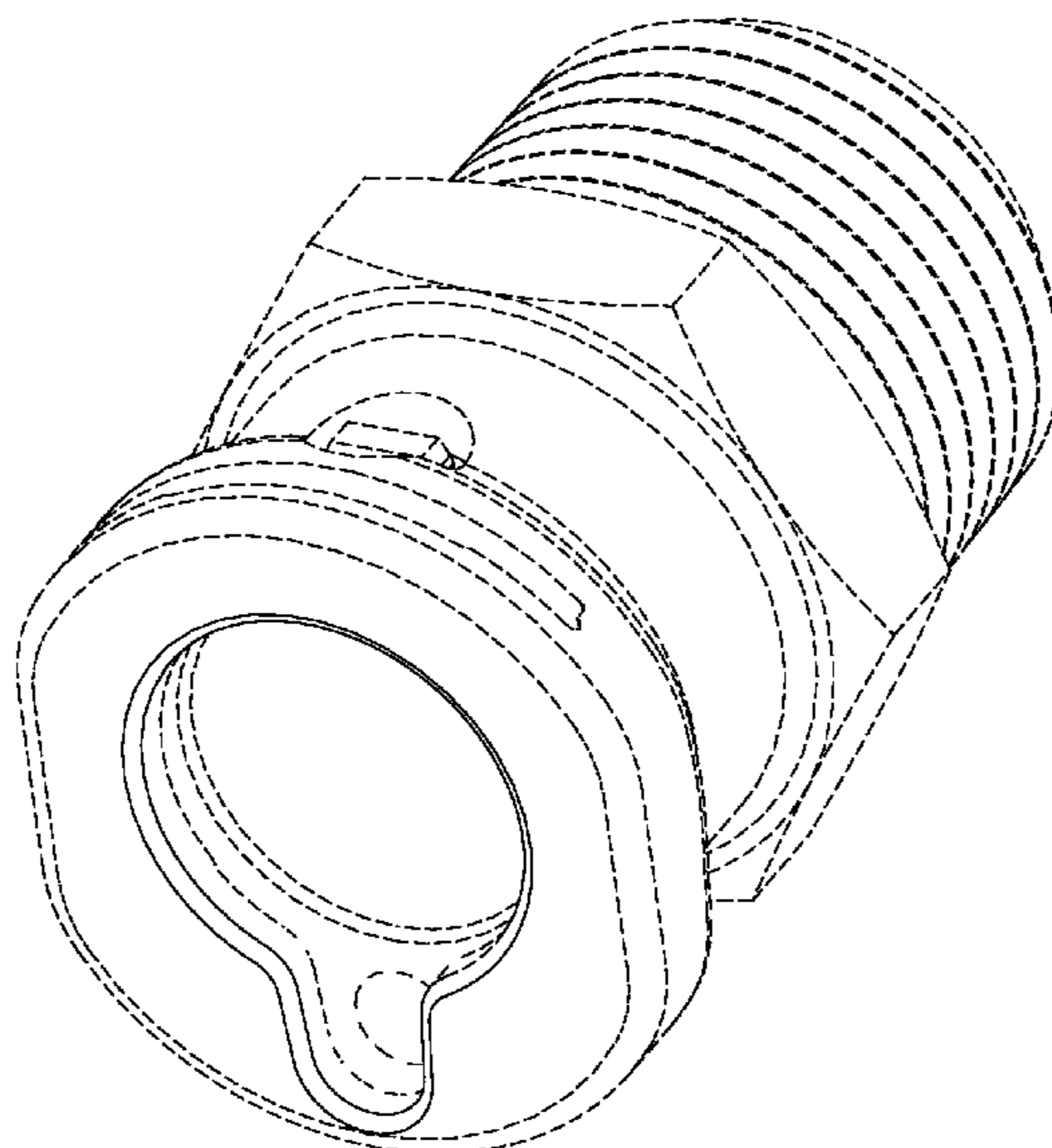
FIG. 2 is an end view thereof.

FIG. 3 is a top view thereof; and,

FIG. 4 is a bottom view thereof.

The broken line showing aspects of the fluid coupling face is
for the purpose of illustrating environmental structure and
forms no part of the claimed design.

1 Claim, 4 Drawing Sheets



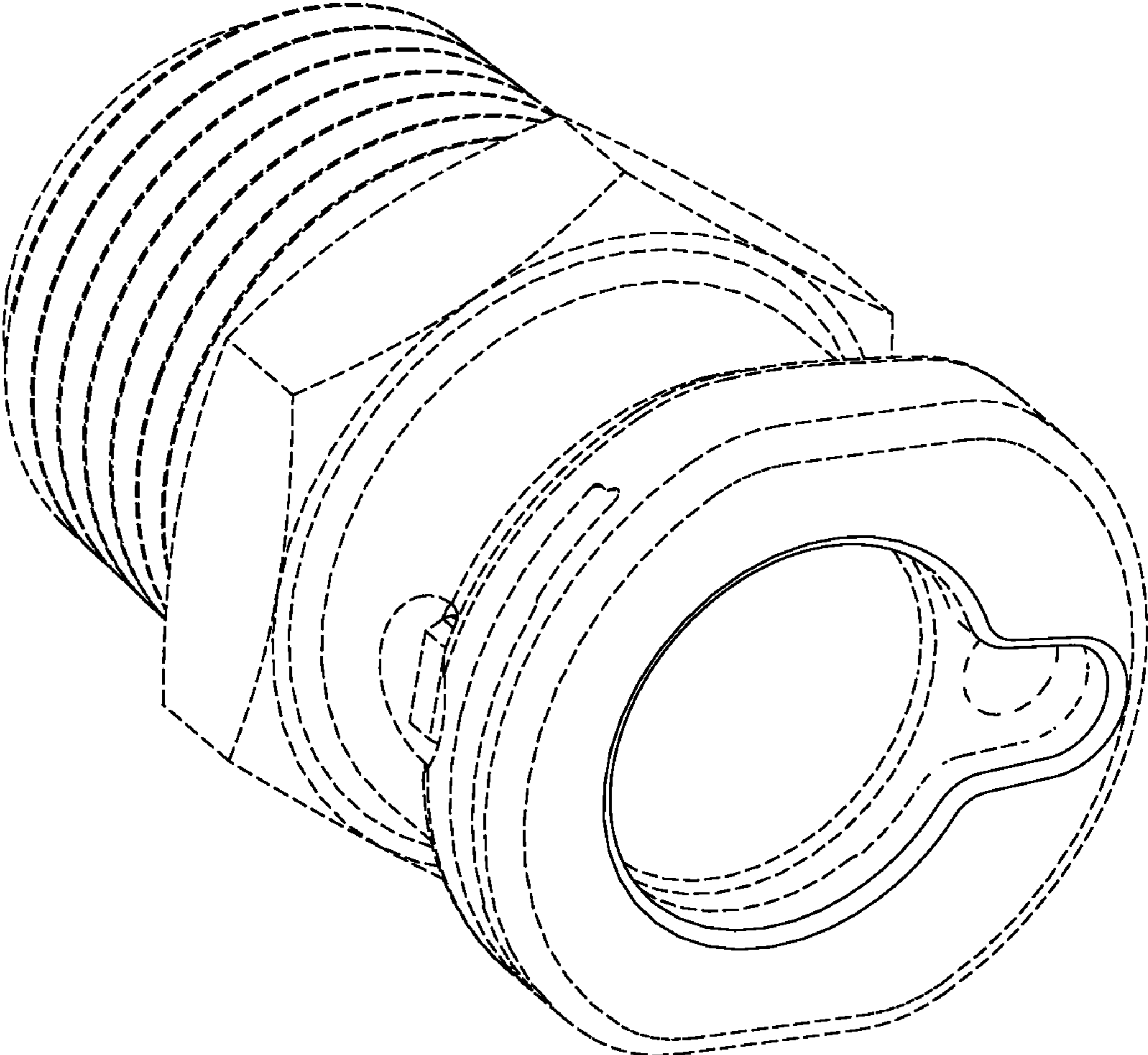
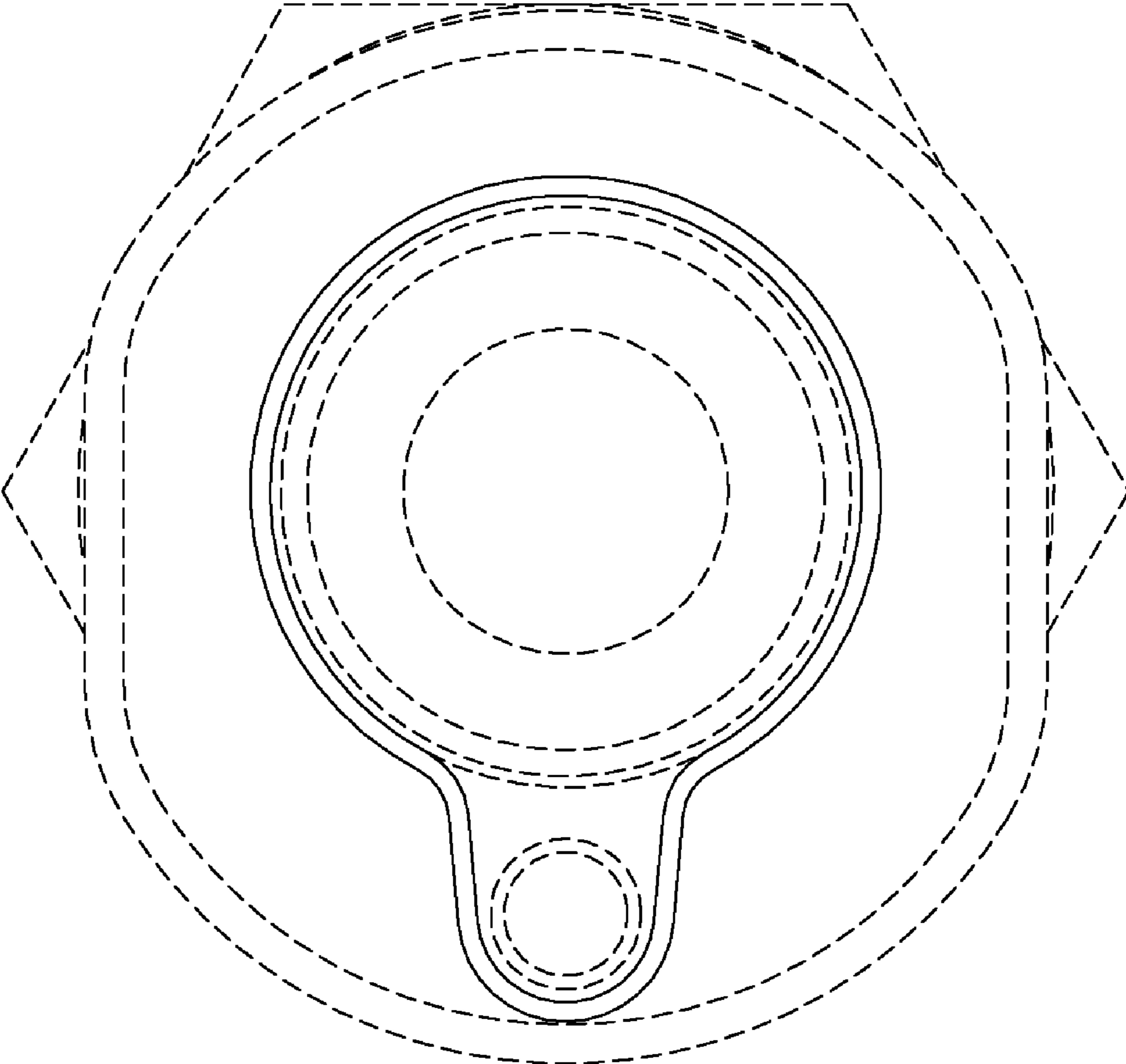


FIG. 1

FIG. 2



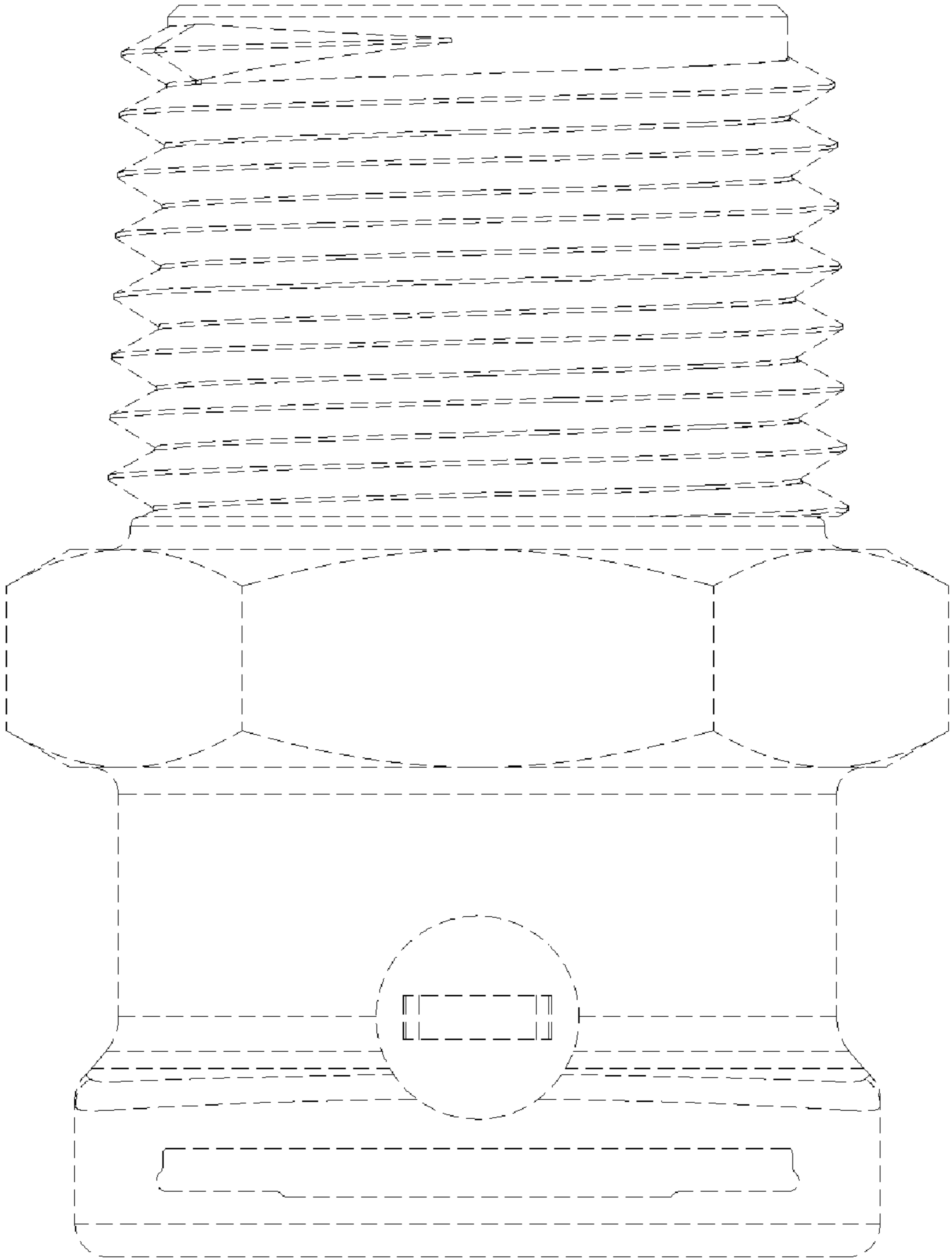


FIG. 3

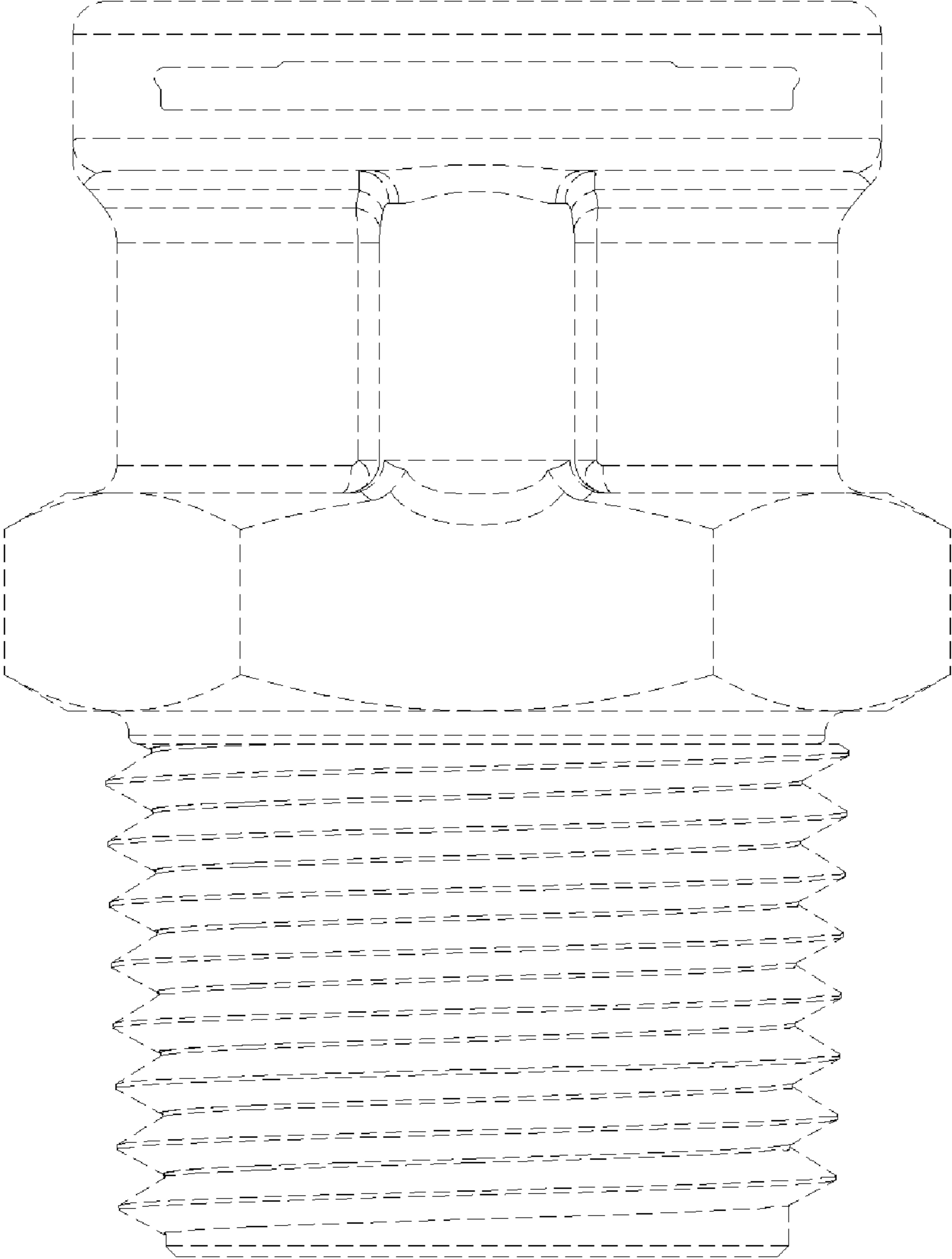


FIG. 4