



US00D612020S

(12) **United States Design Patent**
Ward

(10) **Patent No.:** **US D612,020 S**
(45) **Date of Patent:** **** Mar. 16, 2010**

(54) **PIPE COUPLING SUPPORT**

(76) Inventor: **Martin G. Ward**, 2290 Bell Ct.,
Lakewood, CO (US) 80215

(**) Term: **14 Years**

(21) Appl. No.: **29/335,576**

(22) Filed: **Apr. 17, 2009**

(51) **LOC (9) Cl.** **23-01**

(52) **U.S. Cl.** **D23/262**

(58) **Field of Classification Search** D23/259–269;
D8/330–331, 343, 387, 397; 4/286–287,
4/295; 138/89, 91; 217/110; 220/288; 222/552,
222/554, 546, 563; 285/139.1, 148.18, 148.23,
285/242, 251, 256, 331, 353, 423, 921; 174/665
See application file for complete search history.

(56) **References Cited**

U.S. PATENT DOCUMENTS

232,432	A *	9/1880	Allison	285/333
D32,498	S *	4/1900	Watson	D23/260
2,068,648	A	1/1937	Kaplan		
2,288,904	A *	7/1942	Franklin	285/148.8
2,784,989	A	3/1957	Krupp		
2,904,356	A	9/1959	Love		
2,980,143	A	4/1961	Harris		
3,153,550	A	10/1964	Hollett		
3,165,324	A	1/1965	Zopfi		
3,206,229	A	9/1965	Kramer		
3,211,475	A	10/1965	Freed et al.		
3,394,952	A	7/1968	Garrett		
3,479,066	A	11/1969	Gittleman		
3,539,206	A *	11/1970	Daniels et al.	285/5
3,574,354	A	4/1971	Mischel		
3,692,337	A	9/1972	Mischel		
3,837,685	A	9/1974	Miller		
3,851,901	A	12/1974	Sills		
4,036,513	A	7/1977	Loftus et al.		

(Continued)

OTHER PUBLICATIONS

Mission Rubber Company, "If we put our name on it—you can depend on It!" Product Catalog, June 06, 24 pages.
International Search Report and Written Opinion for Application No. PCT/US2009/040837 dated Jun. 16, 2009.

Primary Examiner—T. Chase Nelson
Assistant Examiner—Eric L Goodman
(74) *Attorney, Agent, or Firm*—Merchant & Gould P.C.

(57) **CLAIM**

The ornamental design for a pipe coupling support, as shown and described.

DESCRIPTION

FIG. 1 is a top perspective view of an embodiment of a pipe coupling support;

FIG. 2 is a bottom perspective view of an embodiment of a pipe coupling support;

FIG. 3 is a front view of an embodiment of a pipe coupling support;

FIG. 4 is a back view of an embodiment of a pipe coupling support;

FIG. 5 is a right side view of an embodiment of a pipe coupling support;

FIG. 6 is a left side view of an embodiment of a pipe coupling support;

FIG. 7 is a top view of an embodiment of a pipe coupling support;

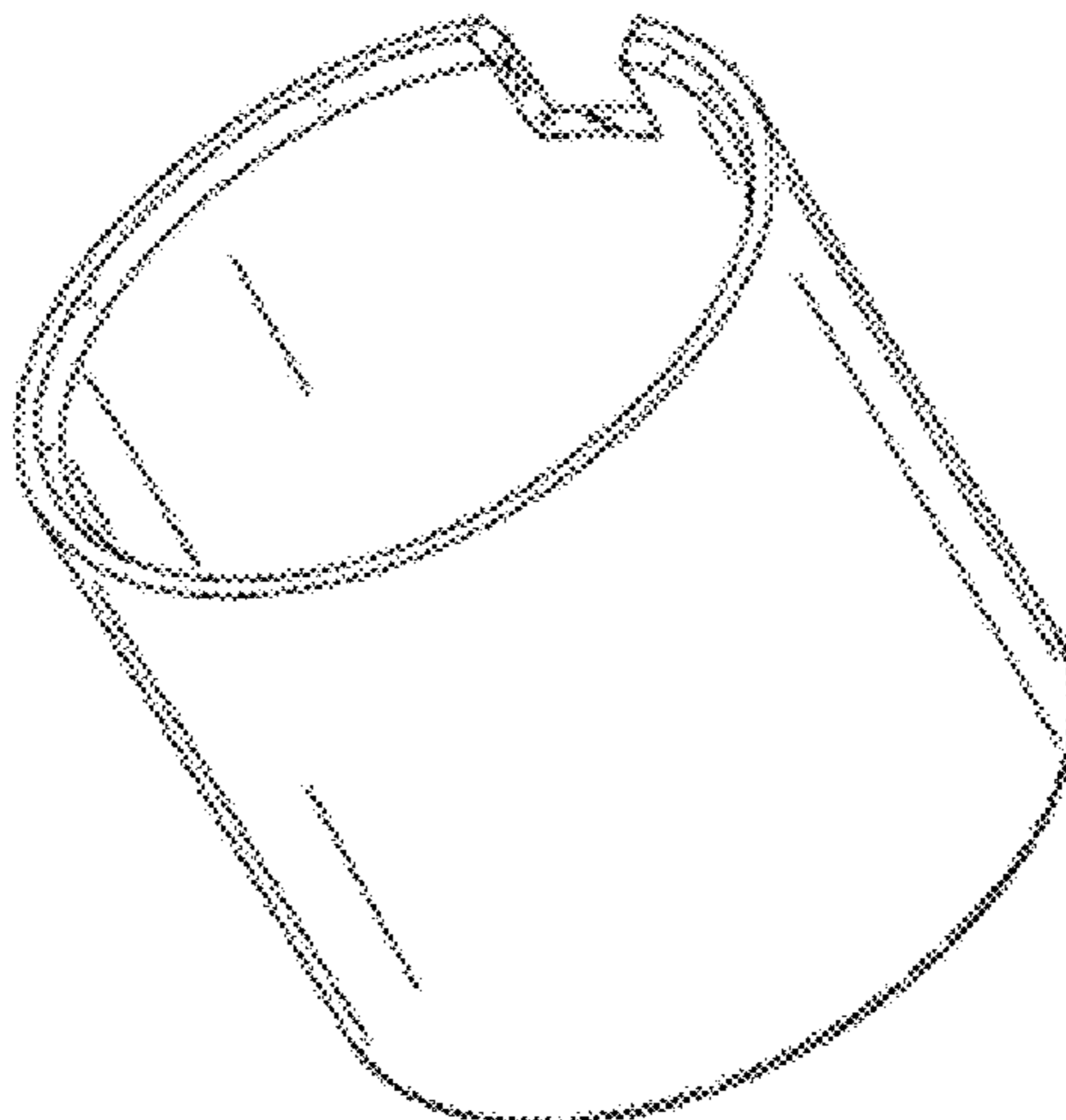
FIG. 8 is a bottom view of an embodiment of a pipe coupling support;

FIG. 9 is a cross section view of an embodiment of a pipe coupling support;

FIG. 10 is an exploded view of an embodiment of a pipe coupling support prior to installment on a pipe coupler assembly; and,

FIG. 11 is an embodiment of a pipe coupling support installed on a pipe coupler assembly.

1 Claim, 7 Drawing Sheets



US D612,020 S

Page 2

U.S. PATENT DOCUMENTS

4,172,607 A	10/1979	Norton	5,193,859 A	3/1993	McKinnon
4,336,959 A	6/1982	Roche	5,203,594 A	4/1993	Straub
4,360,227 A	11/1982	Bridges	5,370,427 A	12/1994	Hoelle et al.
4,380,348 A	4/1983	Swartz	5,430,252 A	7/1995	Petersen
4,417,755 A	11/1983	Gittleman	D383,053 S *	9/1997	Schrader et al. D8/382
4,538,837 A	9/1985	Cronk	D383,378 S *	9/1997	Schrader et al. D8/382
4,587,994 A *	5/1986	Links et al. 138/89	D439,637 S *	3/2001	Davies D23/262
4,667,505 A	5/1987	Sharp	D454,941 S *	3/2002	Dietzel D23/262
4,763,695 A	8/1988	Dooley	D468,002 S *	12/2002	Steffan D23/260
4,804,209 A *	2/1989	Fischer 285/31	D473,935 S *	4/2003	Braun D23/260
4,929,236 A *	5/1990	Sampson 604/175	6,561,552 B1	5/2003	Berg
4,939,923 A	7/1990	Sharp	D486,891 S *	2/2004	Cronce, Jr. D23/260
D309,774 S *	8/1990	Lewis D23/262	7,066,497 B2 *	6/2006	Fullbeck et al. 285/256
4,948,178 A *	8/1990	Sauer 285/242	7,249,787 B1	7/2007	Chisnell
4,964,658 A *	10/1990	Usui et al. 285/319	2004/0130148 A1 *	7/2004	Patterson et al. 285/256
4,966,397 A	10/1990	McKinnon	2005/0099005 A1 *	5/2005	Fullbeck et al. 285/256
D318,321 S *	7/1991	Wigle D23/262	2005/0161941 A1 *	7/2005	Poll et al. 285/93
5,056,833 A	10/1991	Webb	2007/0222212 A1	9/2007	Chisnell
5,070,597 A *	12/1991	Holt et al. 29/887	2007/0257488 A1	11/2007	Jimenez
			2007/0284037 A1 *	12/2007	Buytaert 156/294

* cited by examiner

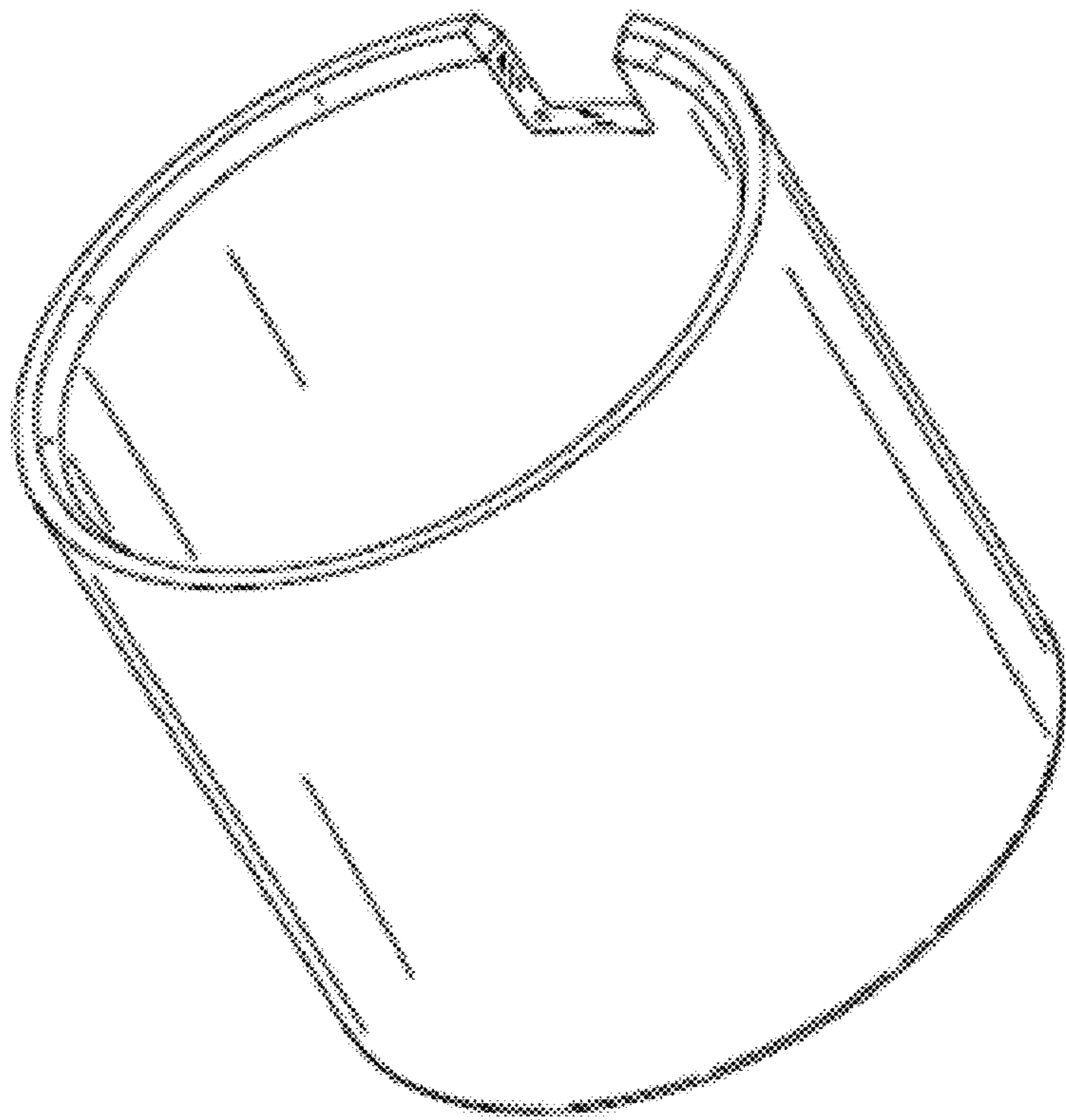


FIG. 1

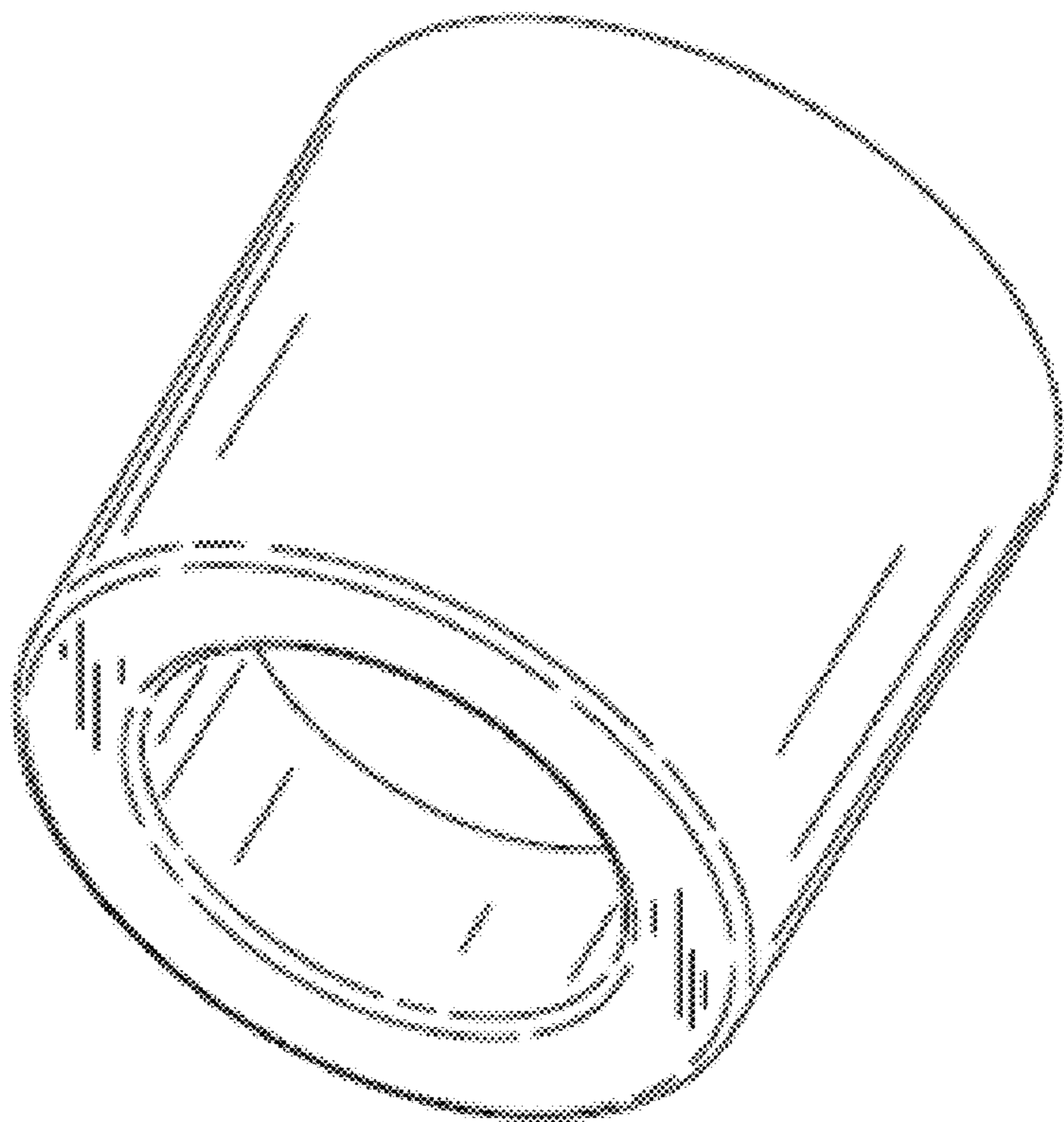


FIG. 2

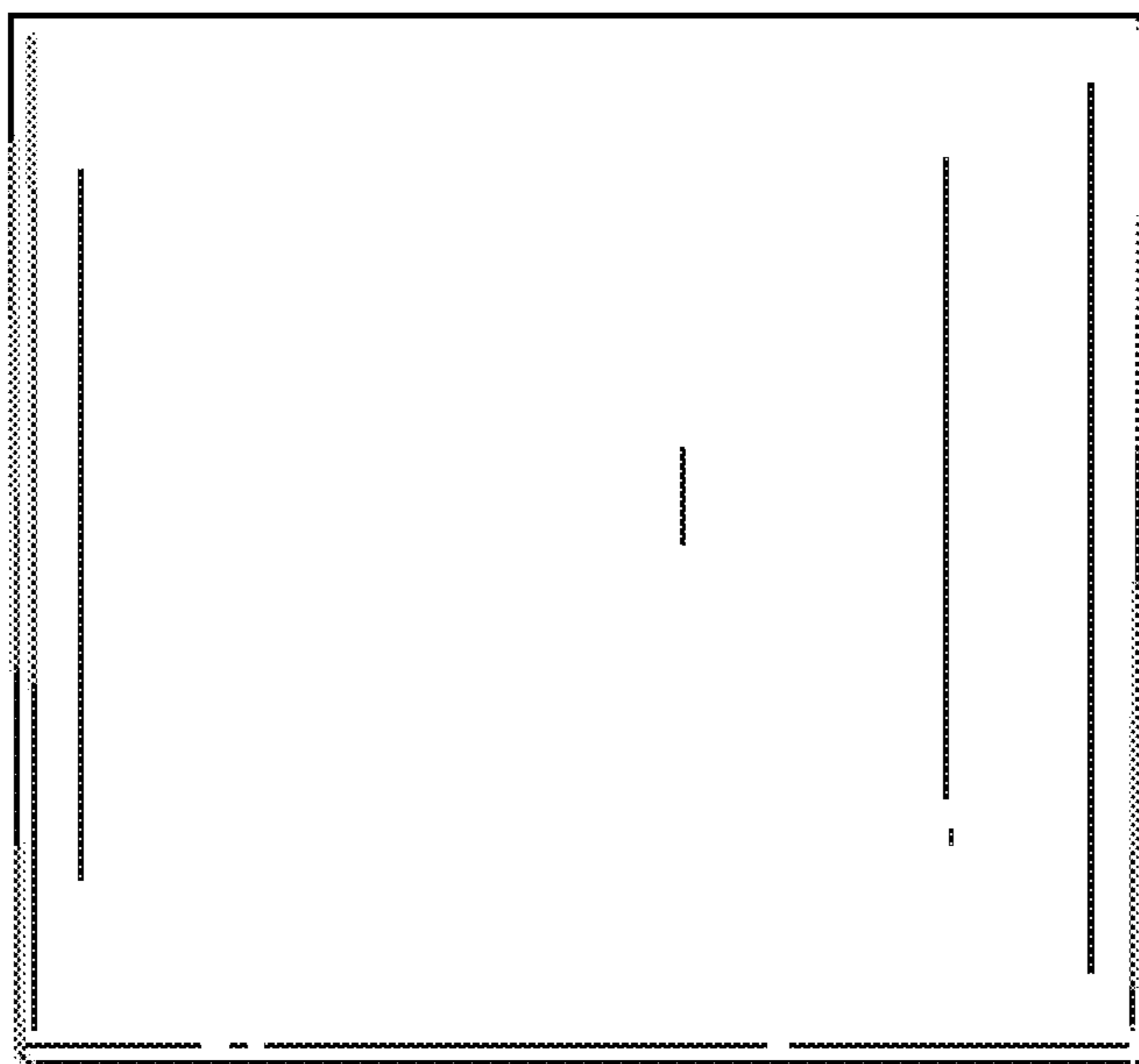


FIG.3

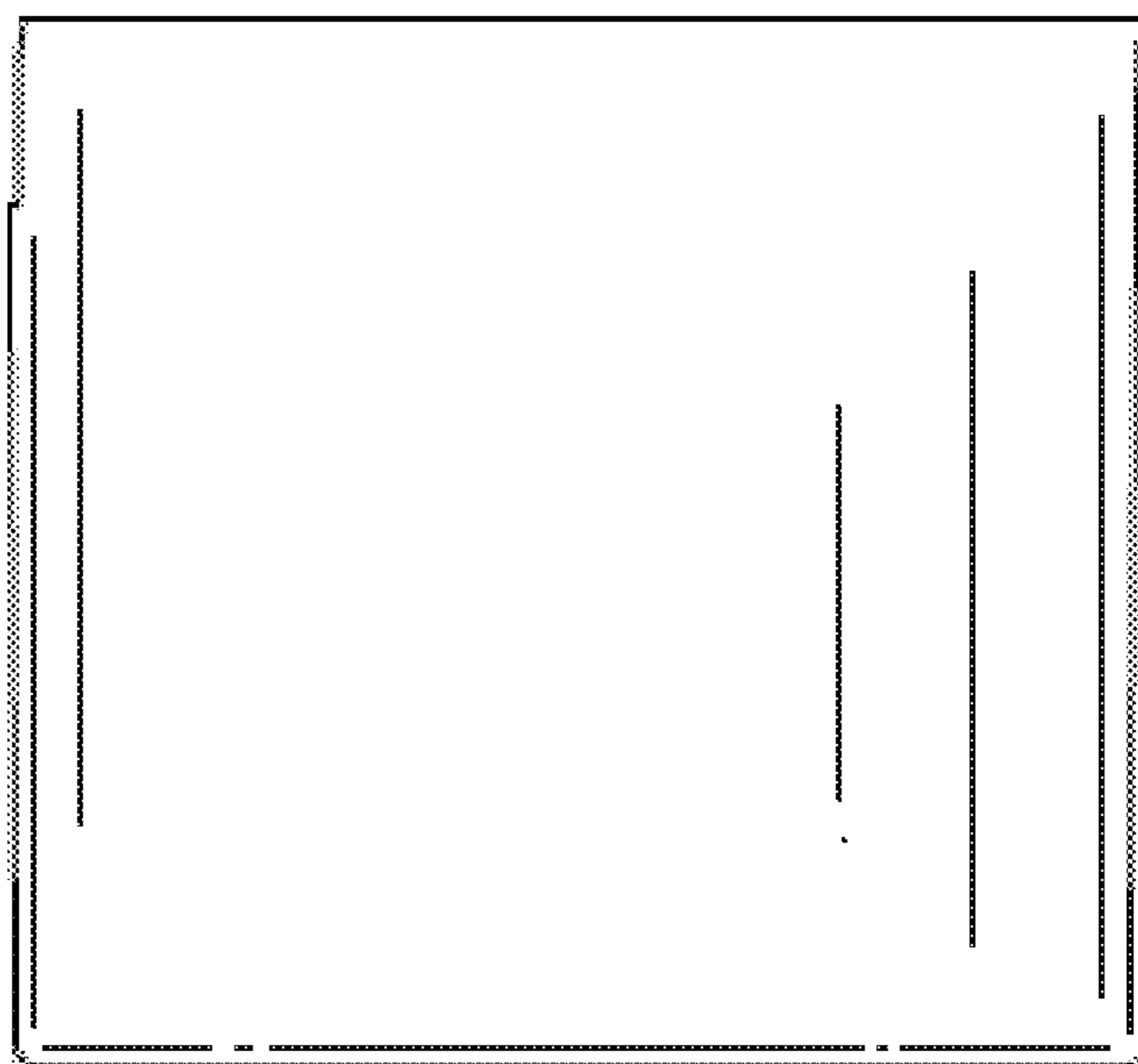


FIG.4

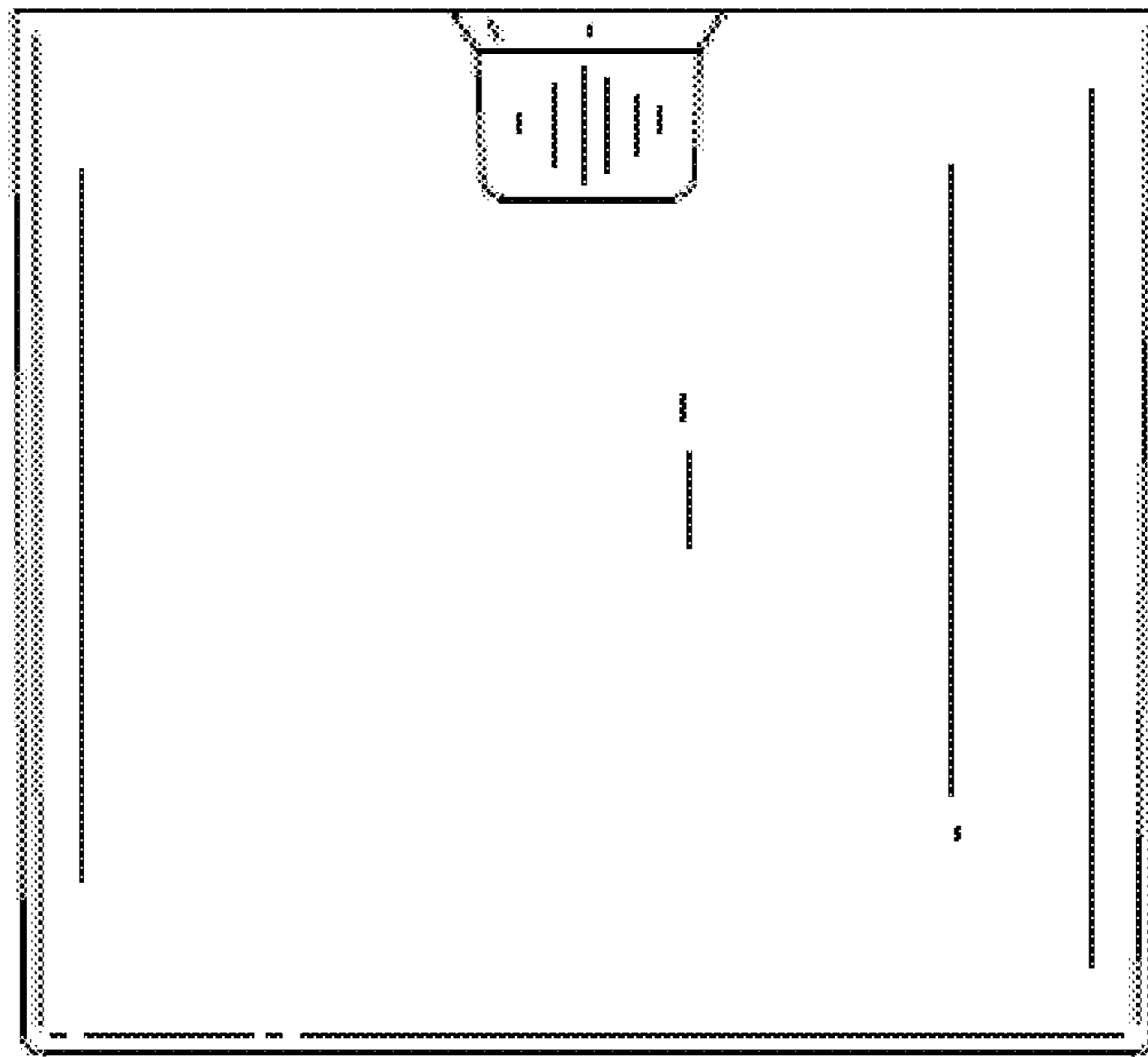


FIG. 5

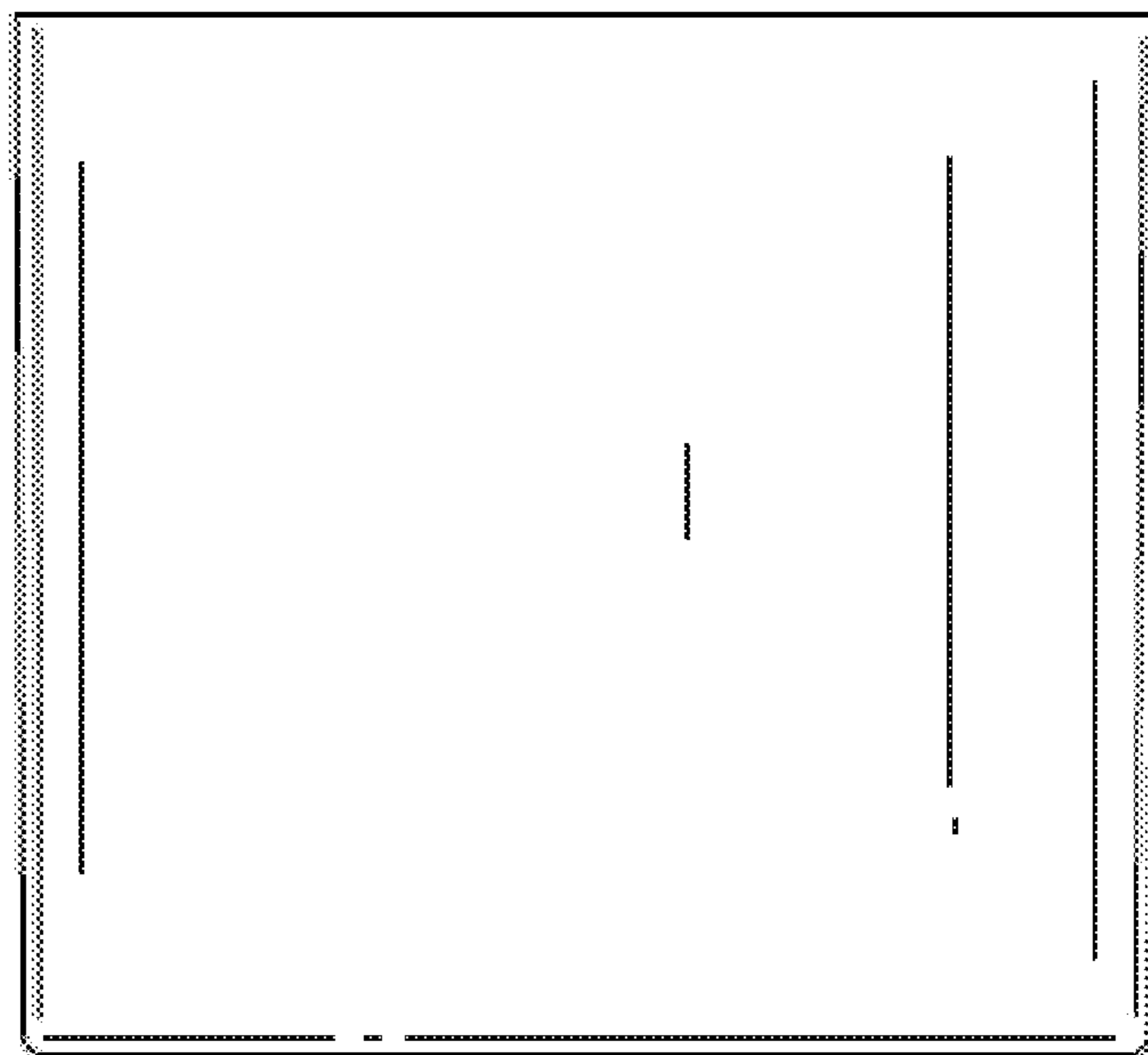


FIG. 6

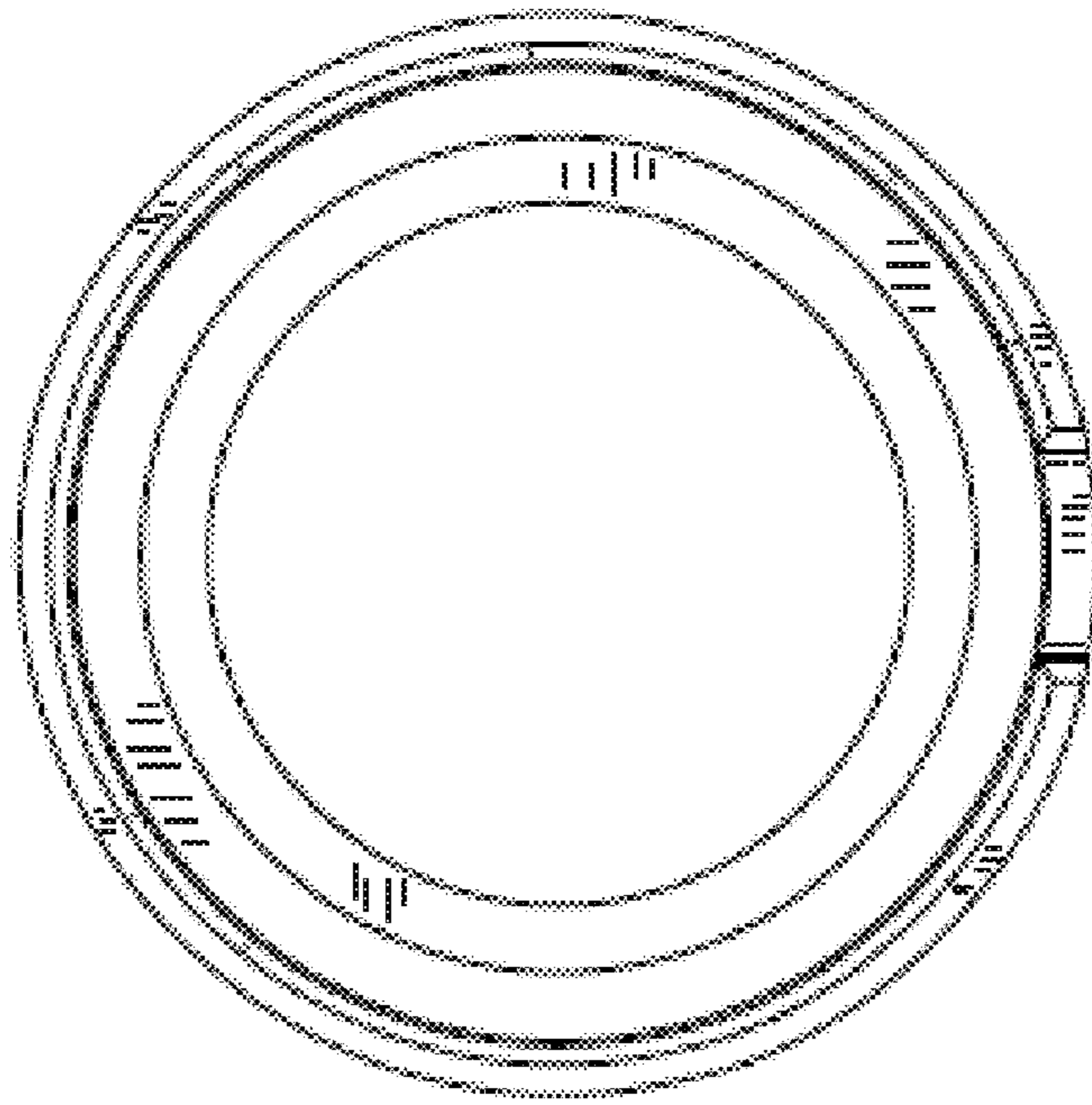


FIG. 7

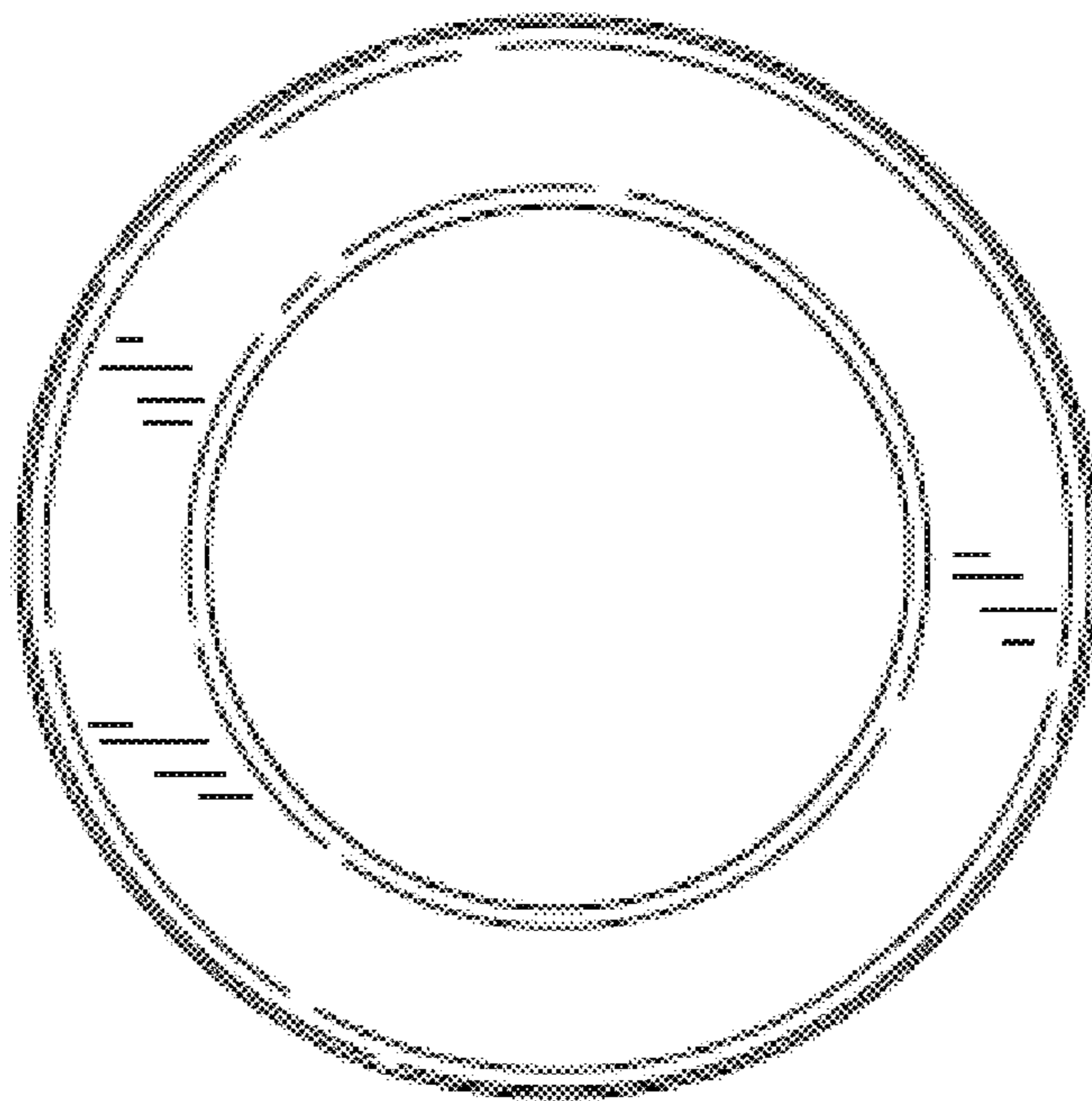


FIG. 8

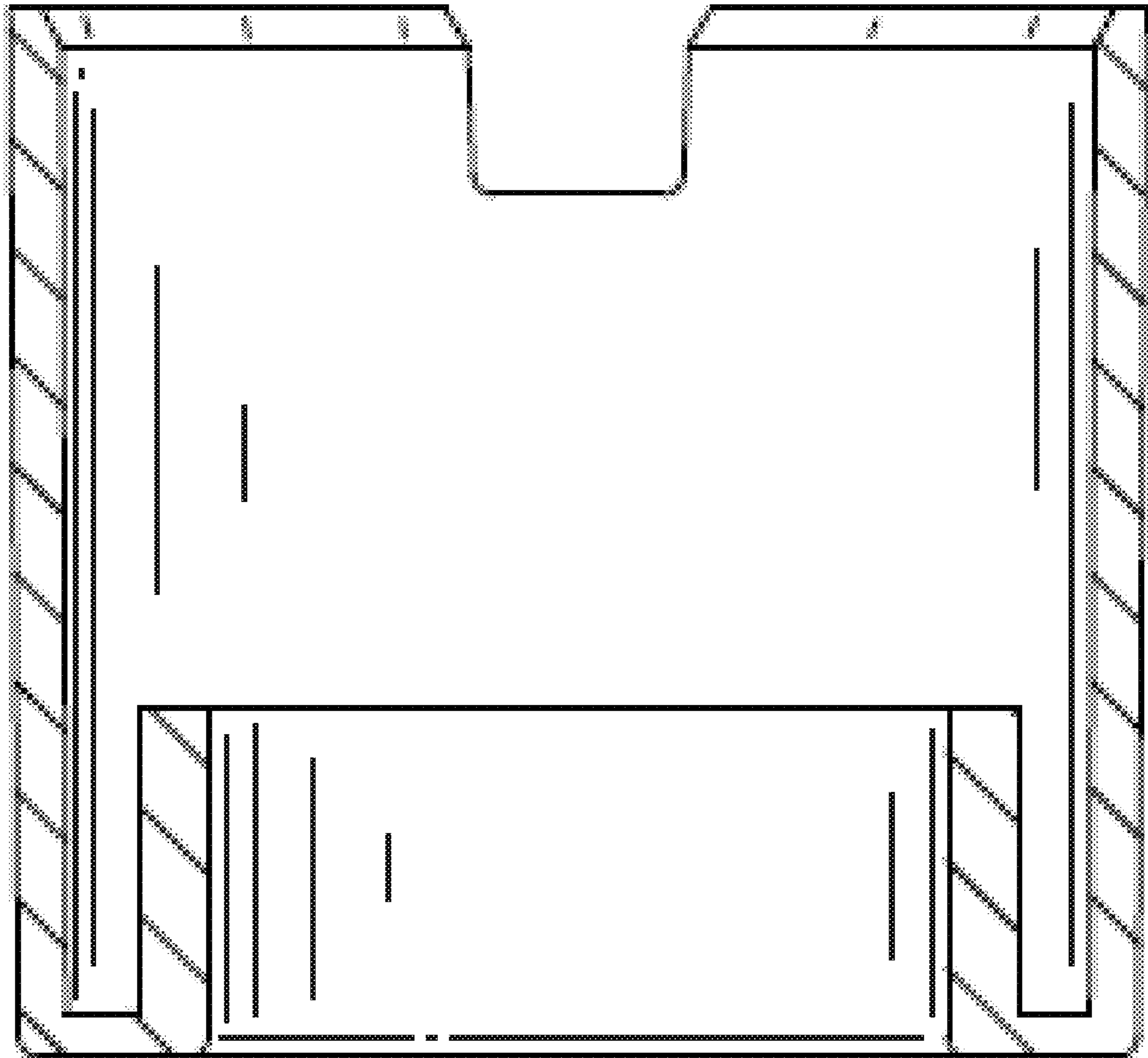


FIG. 9

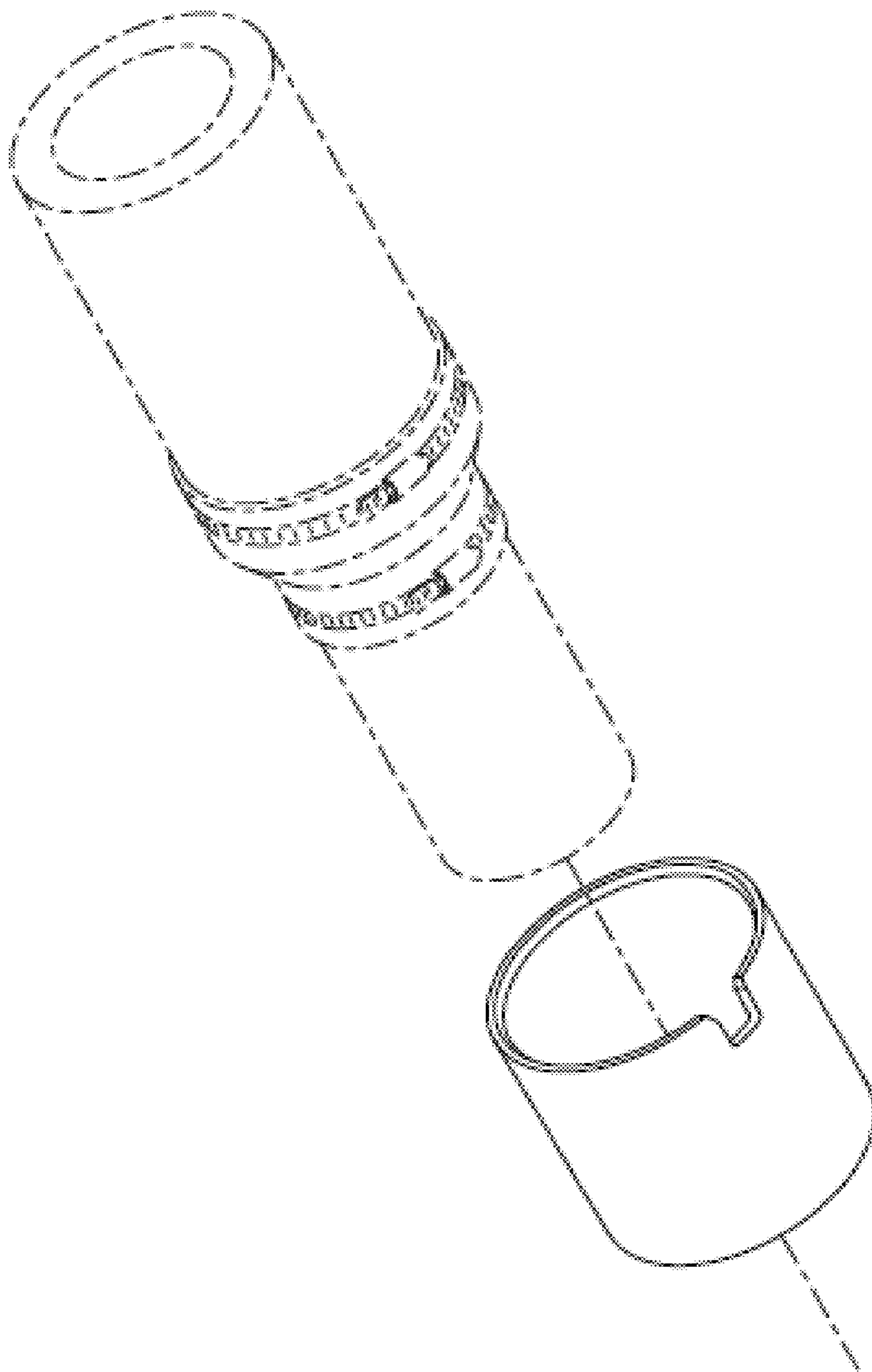


FIG. 10

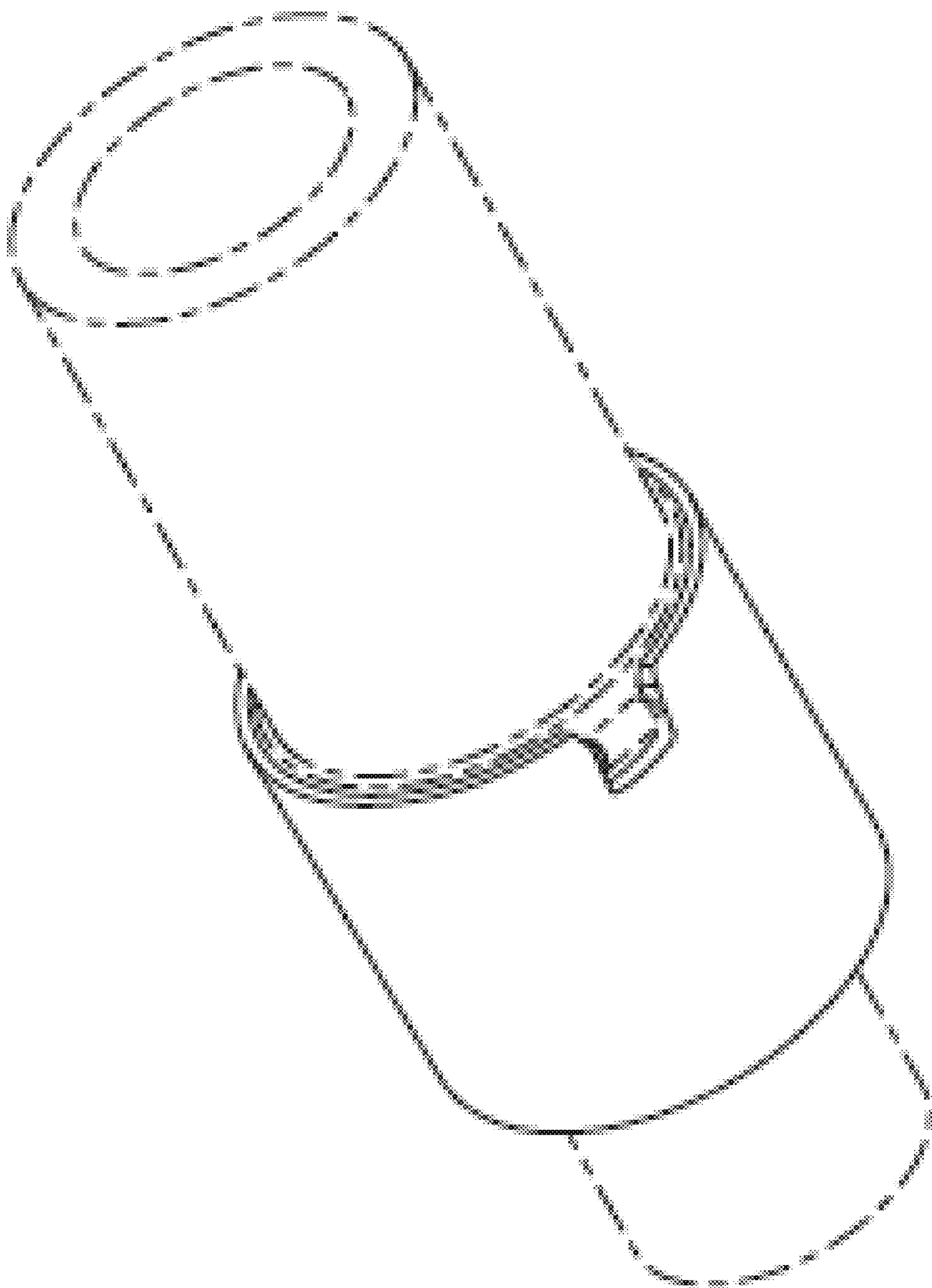


FIG. 11