



US00D612018S

(12) **United States Design Patent**  
**Howard**

(10) **Patent No.:** **US D612,018 S**  
(45) **Date of Patent:** **\*\* Mar. 16, 2010**

(54) **CURB STYLE STORM DRAIN FILTER**

2008/0006568 A1\* 1/2008 Moody et al. .... 210/164  
2008/0179229 A1\* 7/2008 Dorsey ..... 210/163

(76) Inventor: **Joel Howard**, 4856 Burrstone Rd.,  
Syracuse, NY (US) 13215

\* cited by examiner

(\*\*) Term: **14 Years**

*Primary Examiner*—T. Chase Nelson  
*Assistant Examiner*—Eric L Goodman

(21) Appl. No.: **29/319,565**

(74) *Attorney, Agent, or Firm*—McHale & Slavin, P.A.

(22) Filed: **Jun. 11, 2008**

(57) **CLAIM**

(51) **LOC (9) Cl.** ..... **23-01**

The ornamental design for a curb style storm drain filter, as shown and described.

(52) **U.S. Cl.** ..... **D23/261**

(58) **Field of Classification Search** ..... D23/259–269;  
210/170, 170.1, 170.03, 162–166, 474; 404/4–5  
See application file for complete search history.

**DESCRIPTION**

(56) **References Cited**

FIG. 1 is a top perspective and exploded view of the curb style storm drain filter of the instant invention;

U.S. PATENT DOCUMENTS

FIG. 2 is a top perspective and partially exploded view thereof;

D276,839	S	*	12/1984	McCoy	.....	D23/261
D346,201	S	*	4/1994	Heki et al.	.....	D23/200
5,632,888	A	*	5/1997	Chinn et al.	.....	210/163
6,010,622	A	*	1/2000	Chinn et al.	.....	210/164
6,551,505	B2	*	4/2003	Chinn et al.	.....	210/164
D501,672	S	*	2/2005	Ledsworth	.....	D23/261
D557,385	S	*	12/2007	Trangsrud et al.	.....	D23/268
D559,958	S	*	1/2008	Trangsrud et al.	.....	D23/268
2001/0047955	A1	*	12/2001	Chinn et al.	.....	210/164
2003/0098267	A1	*	5/2003	Page	.....	210/164
2003/0173277	A1	*	9/2003	Shaw et al.	.....	210/163
2007/0138074	A1	*	6/2007	Howard	.....	210/163

FIG. 3 is a top view thereof;

FIG. 4 is a front view thereof;

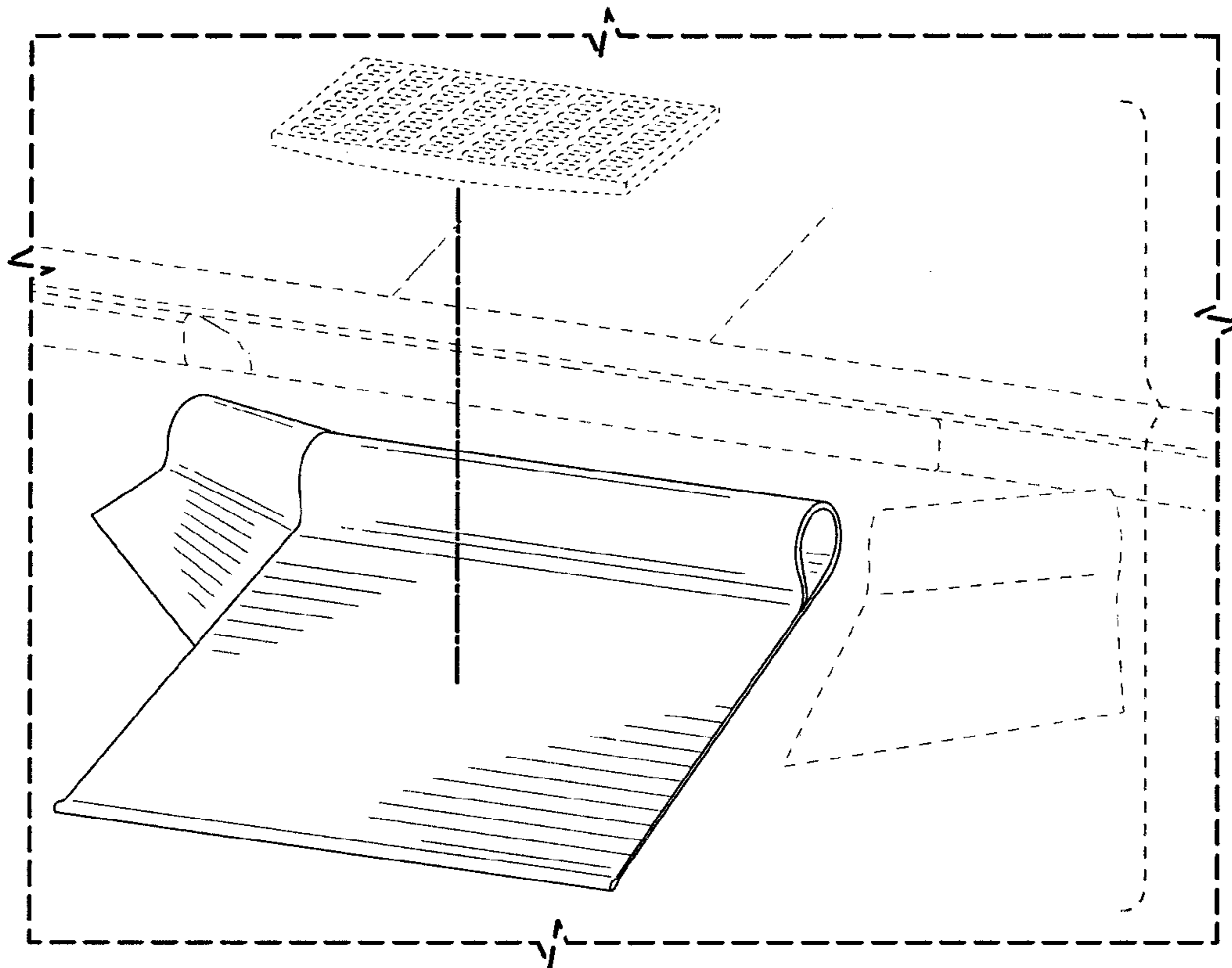
FIG. 5 is a rear view thereof;

FIG. 6 is a right side view thereof; and,

FIG. 7 is a left view thereof.

The portions of drawings illustrated by broken lines are for illustrative purposes and form no part of the claimed design.

**1 Claim, 7 Drawing Sheets**



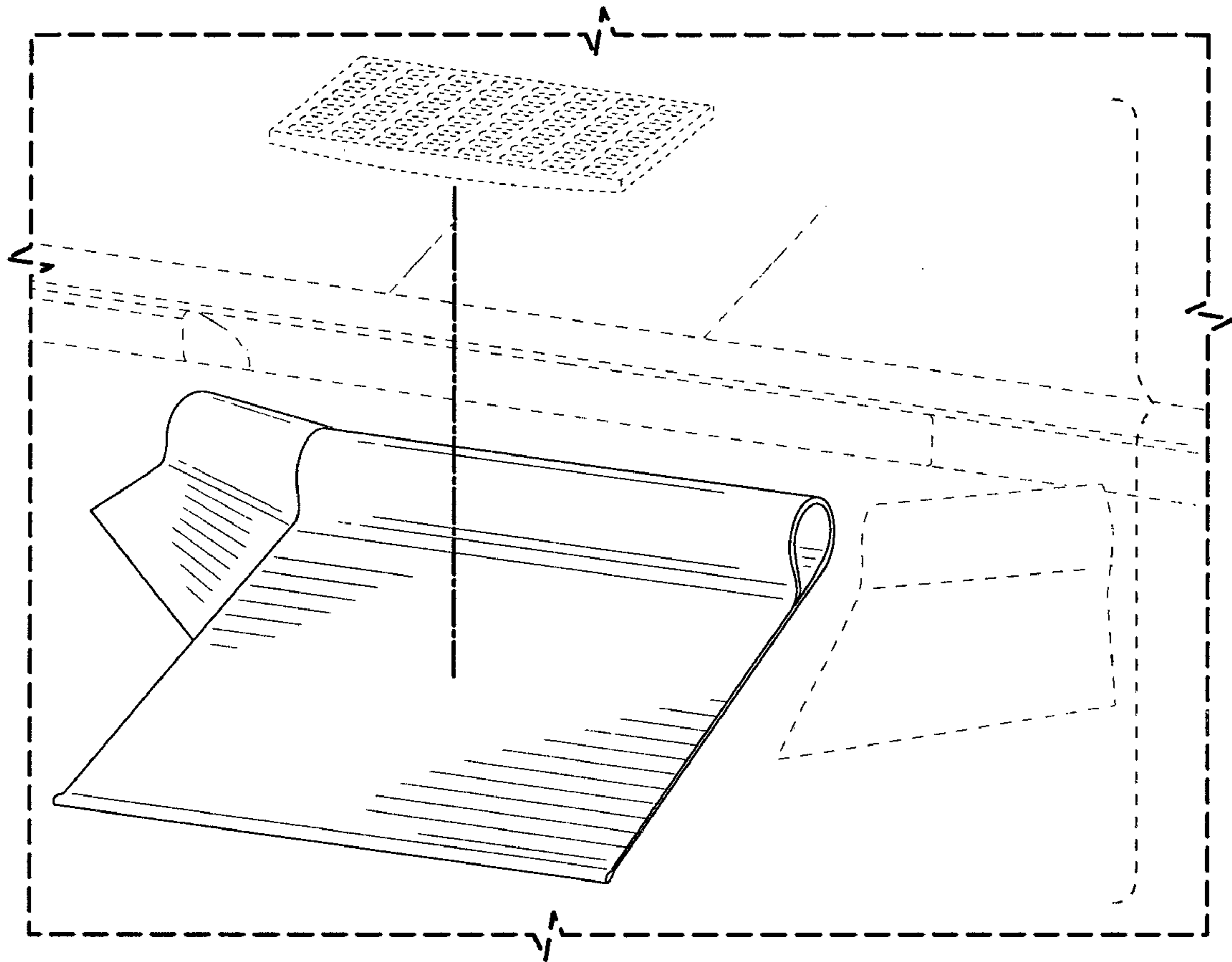


FIG. 1

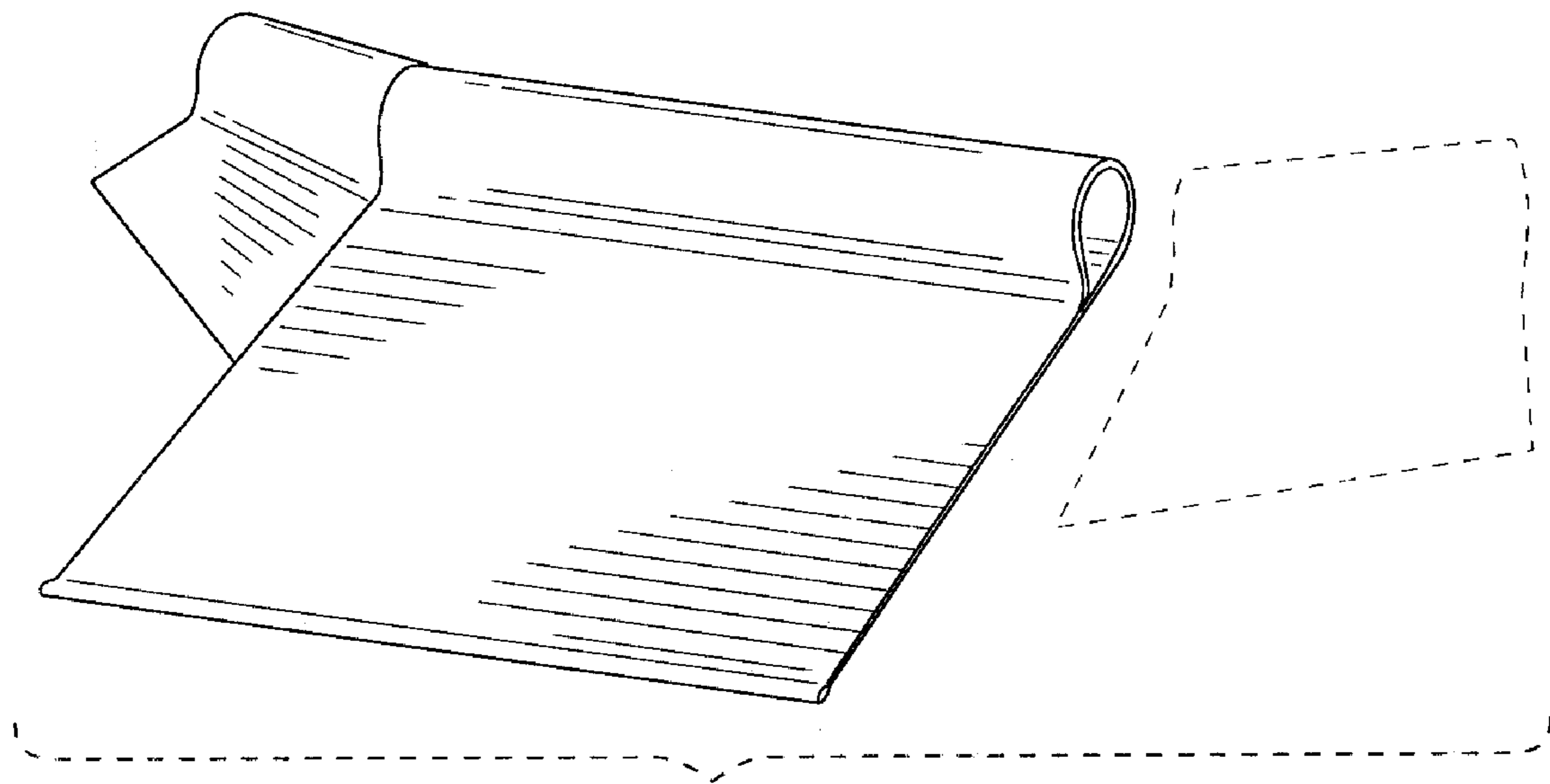
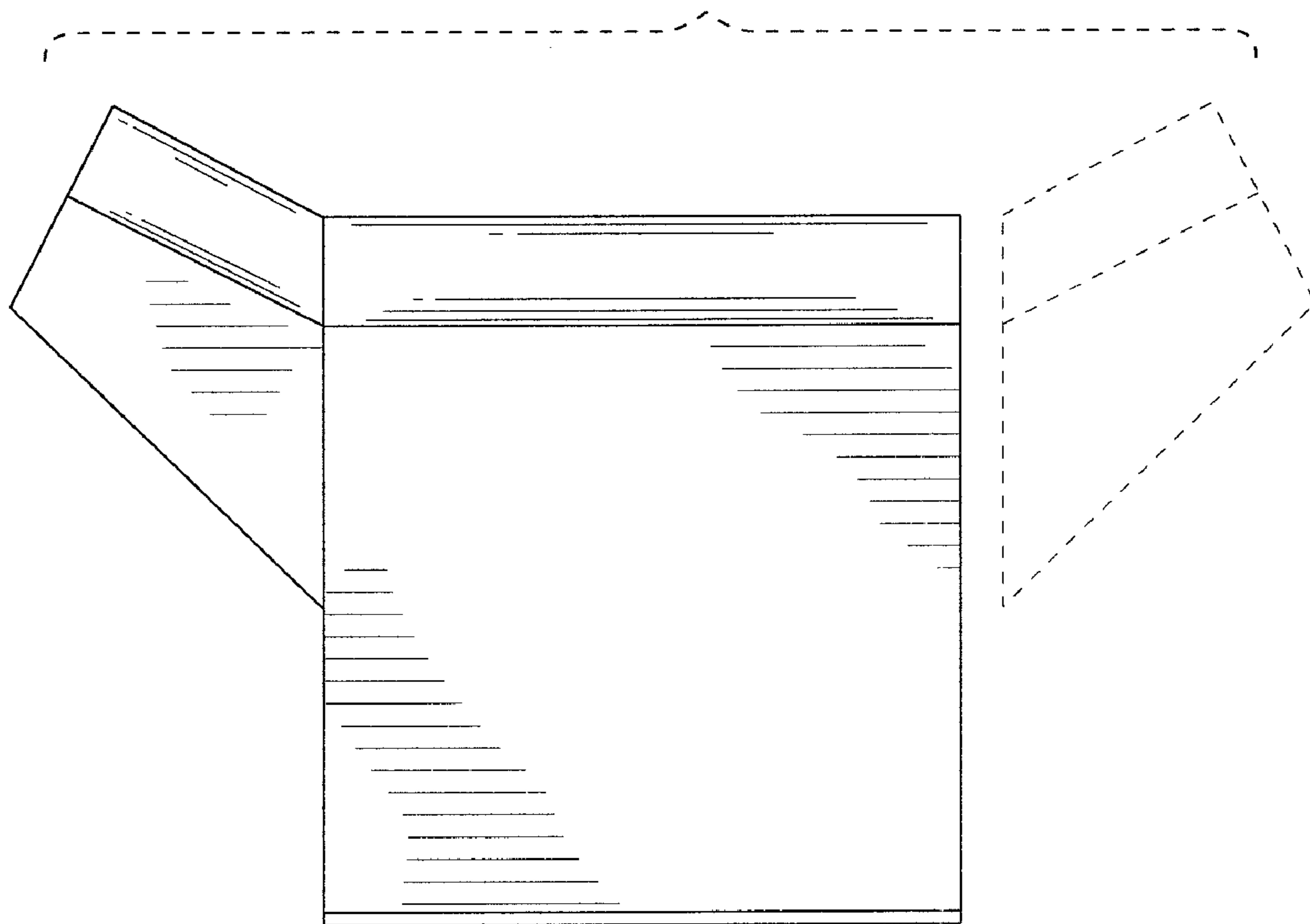
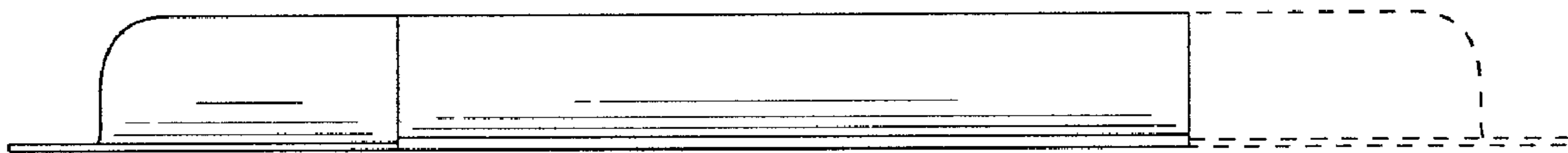


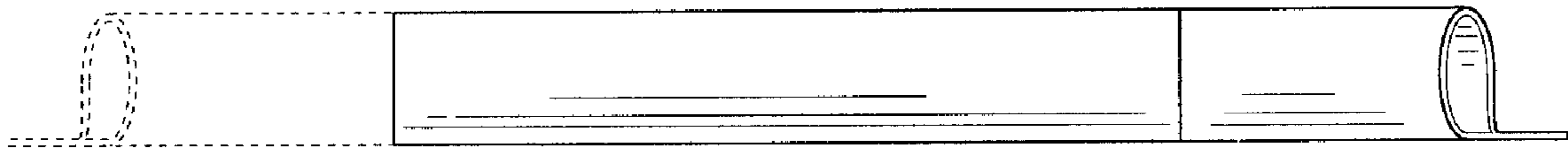
FIG. 2



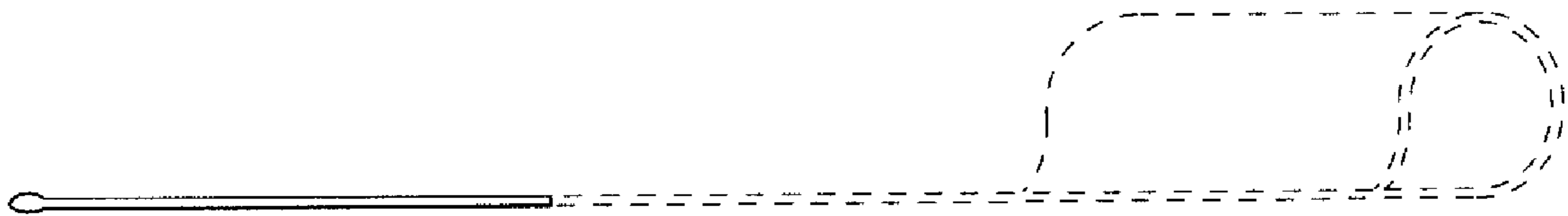
**FIG. 3**



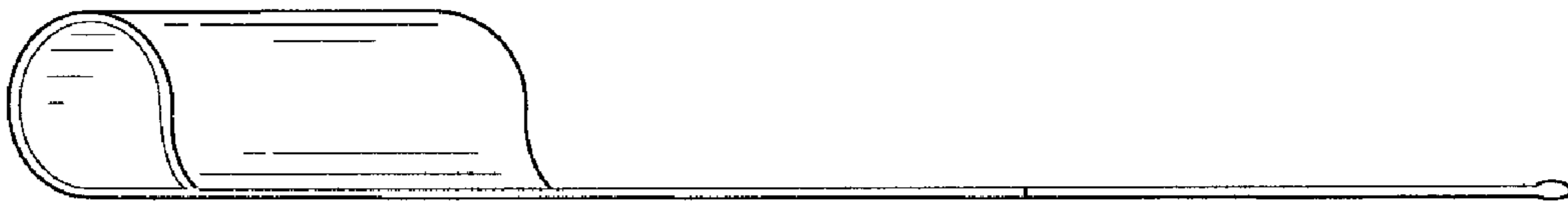
**FIG. 4**



**FIG. 5**



**FIG. 6**



**FIG. 7**