



US00D612015S

(12) **United States Design Patent**  
**Lammel et al.**

(10) **Patent No.:** **US D612,015 S**  
(45) **Date of Patent:** **\*\* Mar. 16, 2010**

(54) **FAUCET**

D435,088 S 12/2000 Fleischmann  
D435,288 S 12/2000 Milrud et al.  
D436,653 S 1/2001 Lefroy-Brooks

(75) Inventors: **Michael Lammel**, Aachen (DE);  
**Michael Zeisel**, Aachen (DE)

(73) Assignee: **KWC AG**, Unterkulm (CH)

(\*\*) Term: **14 Years**

(Continued)

(21) Appl. No.: **29/342,456**

**OTHER PUBLICATIONS**

(22) Filed: **Aug. 25, 2009**

U.S. Appl. No. 29/300,695, filed Apr. 28, 2008.

(30) **Foreign Application Priority Data**

(Continued)

Apr. 16, 2009 (WO) ..... DM/071 687

*Primary Examiner*—T. Chase Nelson

*Assistant Examiner*—Mark Cavanna

(51) **LOC (9) Cl.** ..... **23-01**

(74) *Attorney, Agent, or Firm*—Oliff & Berridge, PLC

(52) **U.S. Cl.** ..... **D23/238**

(58) **Field of Classification Search** ..... D23/200,  
D23/238–257; D6/512, 546, 550; D8/300,  
D8/307–308, 310–312, 321; 4/675–678;  
137/801; 16/110.1, 441

(57) **CLAIM**

See application file for complete search history.

The ornamental design for a faucet, as shown and described.

(56) **References Cited**

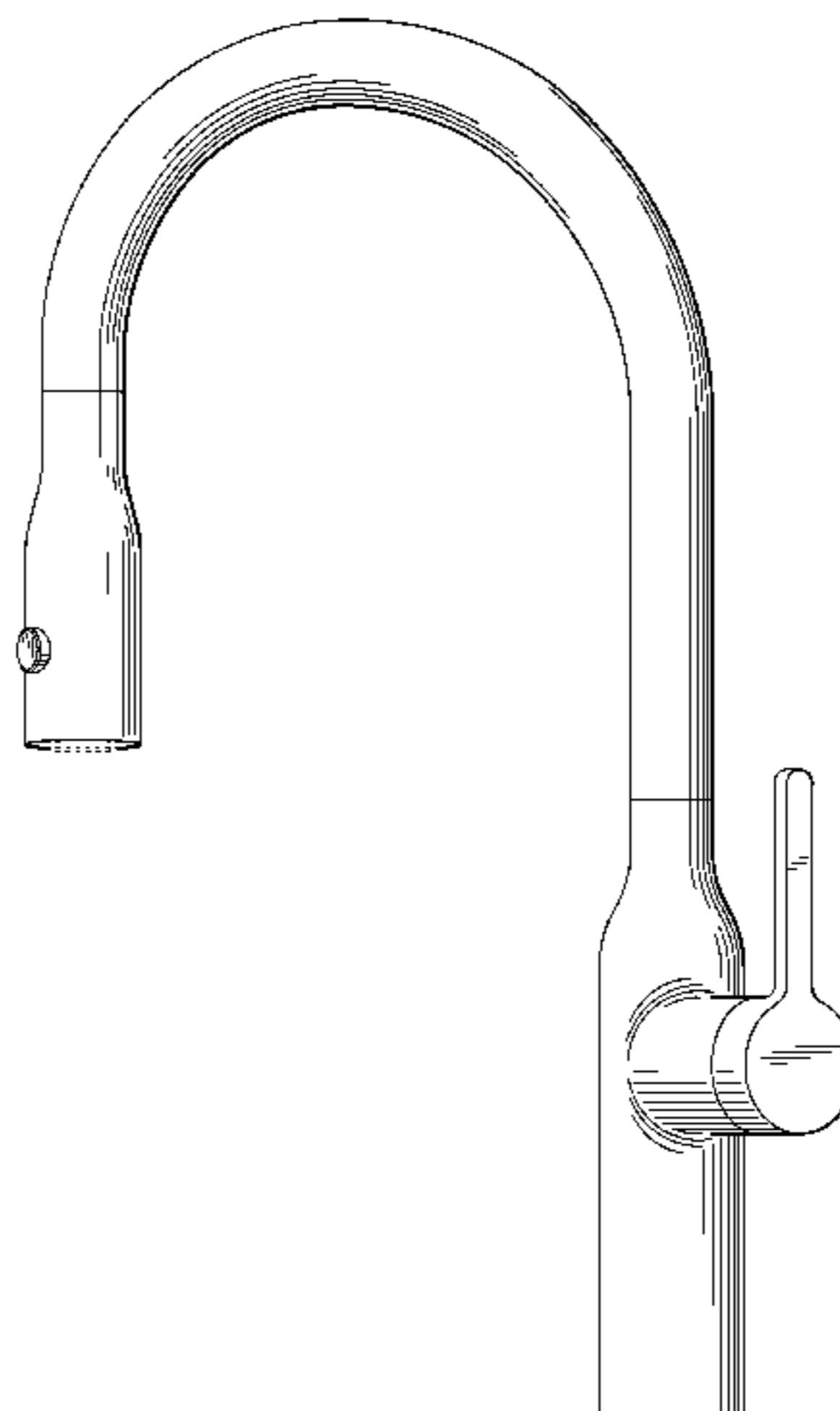
**DESCRIPTION**

**U.S. PATENT DOCUMENTS**

D213,193 S	1/1969	Sissach
D253,607 S	12/1979	Haug
D318,518 S	7/1991	Schmidt et al.
D324,905 S	3/1992	Chretien
5,185,893 A	2/1993	Lin
D334,797 S	4/1993	Chretien
D335,917 S	5/1993	Chretien
D355,706 S	2/1995	Chretien
D355,955 S	2/1995	Chretien
D360,678 S	7/1995	Mine
D363,763 S	10/1995	Starck
D365,383 S	12/1995	Chretien
D378,491 S	3/1997	Chretien
D381,065 S	7/1997	Chretien
D396,092 S	7/1998	Haug et al.
D416,077 S	11/1999	Fleischmann
D416,609 S	11/1999	Mullenmeister
D420,430 S	2/2000	Lobermeier
D424,172 S	5/2000	Haug et al.

FIG. 1 is a front perspective view of a faucet;  
FIG. 2 is a rear perspective view of the faucet;  
FIG. 3 is a front view of the faucet;  
FIG. 4 is a rear view of the faucet;  
FIG. 5 is a left-side view of the faucet;  
FIG. 6 is a right-side view of the faucet;  
FIG. 7 is a top view of the faucet;  
FIG. 8 is a bottom view of the faucet; and,  
FIG. 9 is a front perspective view of the faucet with the nozzle retracted. The nozzle hose is shown broken off to indicate that a specific length of hose forms no part of the claimed design. The broken lines depict environmental subject matter only and form no part of the claimed design.

**1 Claim, 7 Drawing Sheets**



# US D612,015 S

## U.S. PATENT DOCUMENTS

6,220,298 B1 4/2001 Wu  
D441,426 S 5/2001 Lim  
D441,429 S 5/2001 Mullenmeister  
D441,839 S 5/2001 Fleischmann  
D441,840 S 5/2001 Meylan  
D441,851 S 5/2001 Starck  
D444,212 S 6/2001 Fleischmann  
D465,557 S 11/2002 Antoniello et al.  
D466,979 S 12/2002 Shulz  
D468,397 S 1/2003 Czerwinski, Jr.  
D472,308 S 3/2003 Hundley  
D473,630 S 4/2003 Wettstein et al.  
D479,309 S 9/2003 Haug et al.  
D479,310 S 9/2003 Ziemann  
D479,579 S 9/2003 Haug et al.  
D479,581 S 9/2003 Haug et al.  
D481,104 S 10/2003 Wettstein et al.  
D481,105 S 10/2003 Wettstein et al.  
D481,445 S 10/2003 Haug et al.  
D482,102 S 11/2003 Wettstein et al.  
D487,134 S 2/2004 Blattner  
D487,798 S 3/2004 Bayer  
D489,432 S 5/2004 Lammel et al.  
D492,393 S 6/2004 Herring et al.  
D510,126 S 9/2005 Ouyoung  
D510,412 S 10/2005 Lammel et al.  
D510,612 S 10/2005 Lammel et al.  
D510,613 S 10/2005 Lammel et al.  
D511,560 S \* 11/2005 Kulig et al. .... D23/238  
D511,812 S 11/2005 Ouyoung  
D513,526 S \* 1/2006 Marshall ..... D23/238  
D513,635 S 1/2006 Haug et al.  
D513,788 S 1/2006 Lindholm  
D514,198 S 1/2006 Starck  
D514,664 S 2/2006 Starck  
D514,665 S 2/2006 Lindholm  
D516,171 S 2/2006 Meylan  
D517,167 S 3/2006 Kulig  
D517,652 S 3/2006 Egli et al.  
D520,114 S 5/2006 Starck  
D522,104 S 5/2006 Hoernig  
D522,633 S 6/2006 Hoernig  
D523,938 S 6/2006 Hoernig  
D525,342 S 7/2006 Starck  
D526,389 S 8/2006 Lammel et al.  
D527,074 S 8/2006 Lammel et al.  
D527,076 S 8/2006 Kolin et al.  
D527,796 S 9/2006 Lammel  
D528,188 S 9/2006 Lammel et al.  
D528,635 S 9/2006 Lammel et al.  
D528,636 S 9/2006 Latoracca  
D529,131 S 9/2006 Haug et al.  
D529,991 S 10/2006 Egli et al.  
D530,787 S 10/2006 Yoshioka et al.  
D531,267 S 10/2006 Hundley  
D531,698 S 11/2006 Wood et al.  
D531,699 S 11/2006 Haug et al.  
D532,483 S \* 11/2006 Lobermeier et al. .... D23/238  
D532,487 S 11/2006 Citterio  
D532,869 S 11/2006 Lobermeier et al.  
D533,633 S 12/2006 Toyohara  
D534,246 S \* 12/2006 Chu et al. .... D23/238  
D534,621 S \* 1/2007 Chu et al. .... D23/238  
D534,622 S 1/2007 Chu et al.  
D534,990 S 1/2007 Zhou  
D535,357 S \* 1/2007 Zhou ..... D23/238  
D535,724 S \* 1/2007 Zhou ..... D23/238  
D538,402 S 3/2007 Lammel et al.  
D539,870 S 4/2007 Lammel et al.  
D539,875 S 4/2007 Starck  
D541,381 S 4/2007 Haug et al.

D542,384 S 5/2007 Starck  
D544,072 S 6/2007 Gloor  
D544,945 S \* 6/2007 Wood et al. .... D23/238  
D548,308 S 8/2007 Hoernig  
D550,330 S \* 9/2007 Mullenmeister ..... D23/238  
D550,813 S 9/2007 Lammel et al.  
D564,075 S \* 3/2008 Williams ..... D23/238  
D566,238 S 4/2008 Lammel et al.  
D566,811 S 4/2008 Zhang  
D567,909 S \* 4/2008 Schonherr et al. .... D23/238  
D571,893 S \* 6/2008 Celli ..... D23/238  
D572,797 S 7/2008 Kubler  
D575,848 S \* 8/2008 Kirar ..... D23/238  
D577,418 S 9/2008 Lammel et al.  
7,467,874 B2 12/2008 Gautschi et al.  
D586,881 S 2/2009 Lammel et al.  
D589,594 S 3/2009 Lammel et al.  
D591,398 S 4/2009 Lammel et al.  
D593,184 S 5/2009 Gloor  
D594,934 S \* 6/2009 Vu et al. .... D23/238  
D602,568 S \* 10/2009 Kwok ..... D23/238  
D603,021 S \* 10/2009 Roy ..... D23/238  
2004/0050434 A1 3/2004 Chen  
2006/0289343 A1 12/2006 Schmitt et al.

## OTHER PUBLICATIONS

Notice of Allowance for U.S. Appl. No. 29/217,362, filed Nov. 17, 2004.  
Office Action for U.S. Appl. No. 29/217,362, filed Nov. 17, 2004.  
U.S. Appl. No. 29/217,363, filed Nov. 17, 2004.  
Notice of Allowance for U.S. Appl. No. 29/217,363, filed Nov. 17, 2004.  
Office Action for U.S. Appl. No. 29/217,363, filed Nov. 17, 2004.  
U.S. Appl. No. 29/217,364, filed Nov. 17, 2004.  
Notice of Allowance for U.S. Appl. No. 29/217,364, filed Nov. 17, 2004.  
Office Action for U.S. Appl. No. 29/217,364, filed Nov. 17, 2004.  
U.S. Appl. No. 29/234,422, filed Jul. 19, 2005.  
Notice of Allowance for U.S. Appl. No. 29/234,422, filed Jul. 19, 2005.  
Office Action for U.S. Appl. No. 29/234,422, filed Jul. 19, 2005.  
U.S. Appl. No. 29/222,538, filed Feb. 2, 2005.  
Notice of Allowance for U.S. Appl. No. 29/222,538, filed Feb. 2, 2005.  
Office Action for U.S. Appl. No. 29/222,538, filed Feb. 2, 2005.  
Notice of Allowance for U.S. Appl. No. 29/223,614, filed Feb. 17, 2005.  
Office Action for U.S. Appl. No. 29/223,614, filed Feb. 17, 2005.  
Notice of Allowance for U.S. Appl. No. 29/236,874, filed Aug. 24, 2005.  
U.S. Appl. No. 29/253,832, filed Feb. 14, 2006.  
Notice of Allowance for U.S. Appl. No. 29/253,832, filed Feb. 14, 2006.  
U.S. Appl. No. 29/253,837, filed Feb. 14, 2006.  
Office Action for U.S. Appl. No. 29/253,837, filed Feb. 14, 2006.  
U.S. Appl. No. 29/259,023, filed May 2, 2006.  
Notice of Allowance for U.S. Appl. No. 29/259,023, filed May 2, 2006.  
Office Action for U.S. Appl. No. 29/259,023, filed May 2, 2006.  
Office Action for U.S. Appl. No. 29/259,023, filed May 2, 2006.  
Supplemental Notice of Allowance for U.S. Appl. No. 29/259,023, filed May 2, 2006.  
U.S. Appl. No. 29/266,685, filed Sep. 27, 2006.  
Notice of Allowance for U.S. Appl. No. 29/266,685, filed Sep. 27, 2006.  
Office Action for U.S. Appl. No. 29/266,685, filed Sep. 27, 2006.  
U.S. Appl. No. 29/276,813, filed Feb. 6, 2007.  
Notice of Allowance for U.S. Appl. No. 29/276,813, filed Feb. 6, 2007.  
Notice of Allowance for U.S. Appl. No. 29/277,967, filed Mar. 15, 2007.

# US D612,015 S

Page 3

---

Supplemental Notice of Allowance for U.S. Appl. No. 29/277,967, filed Mar. 15, 2007.

U.S. Appl. No. 29/281,057, filed Jun. 14, 2007.

Notice of Allowance for U.S. Appl. No. 29/281,057, filed Jun. 14, 2007.

U.S. Appl. No. 29/287,563, filed Aug. 23, 2007.

Notice of Allowance for U.S. Appl. No. 29/287,563, filed Aug. 23, 2007.

“Architecture Word” Magazine, Publication Date: 1<sup>st</sup> half year of 2003, p. 1789, Item A-266.

\* cited by examiner

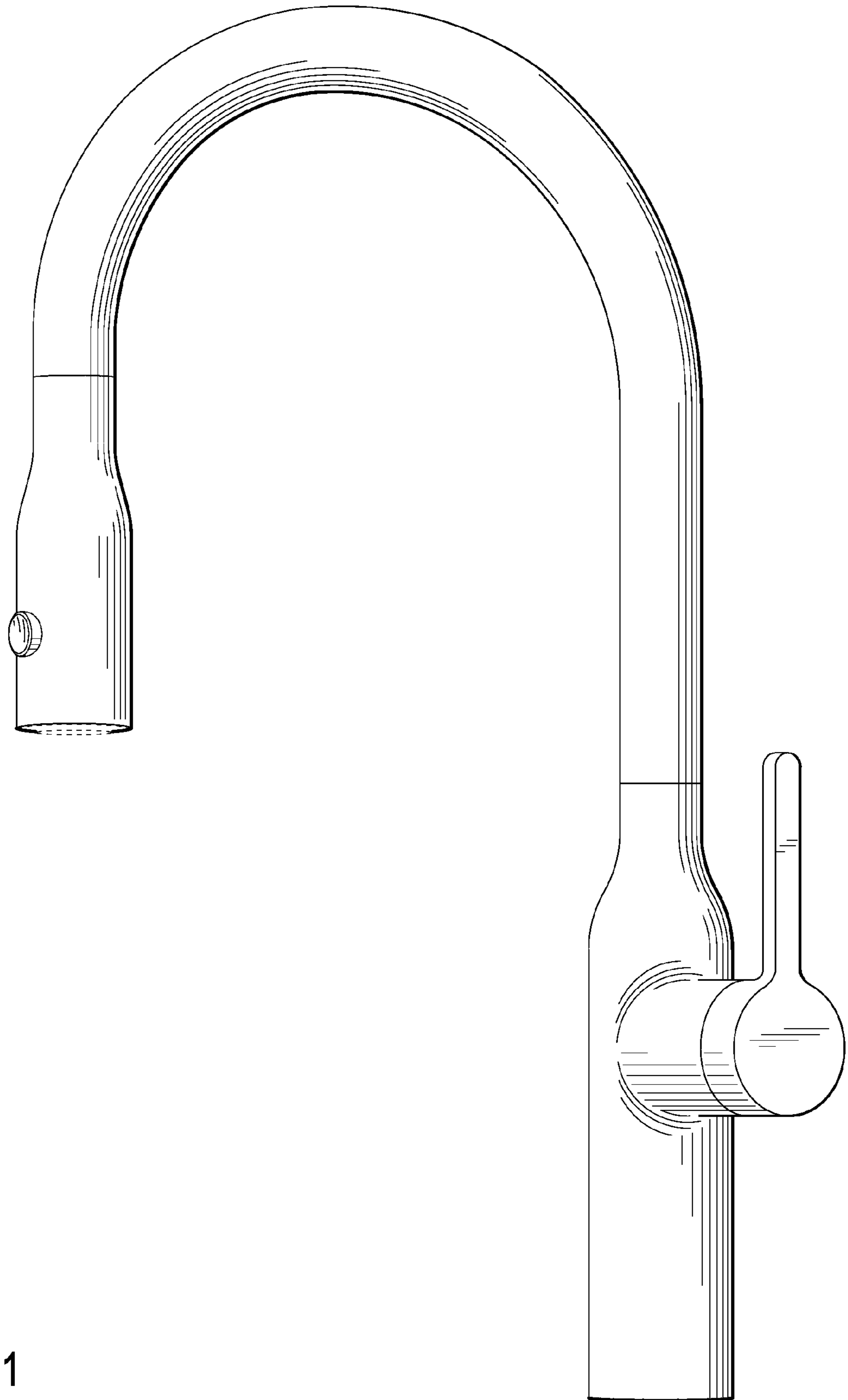


FIG. 1

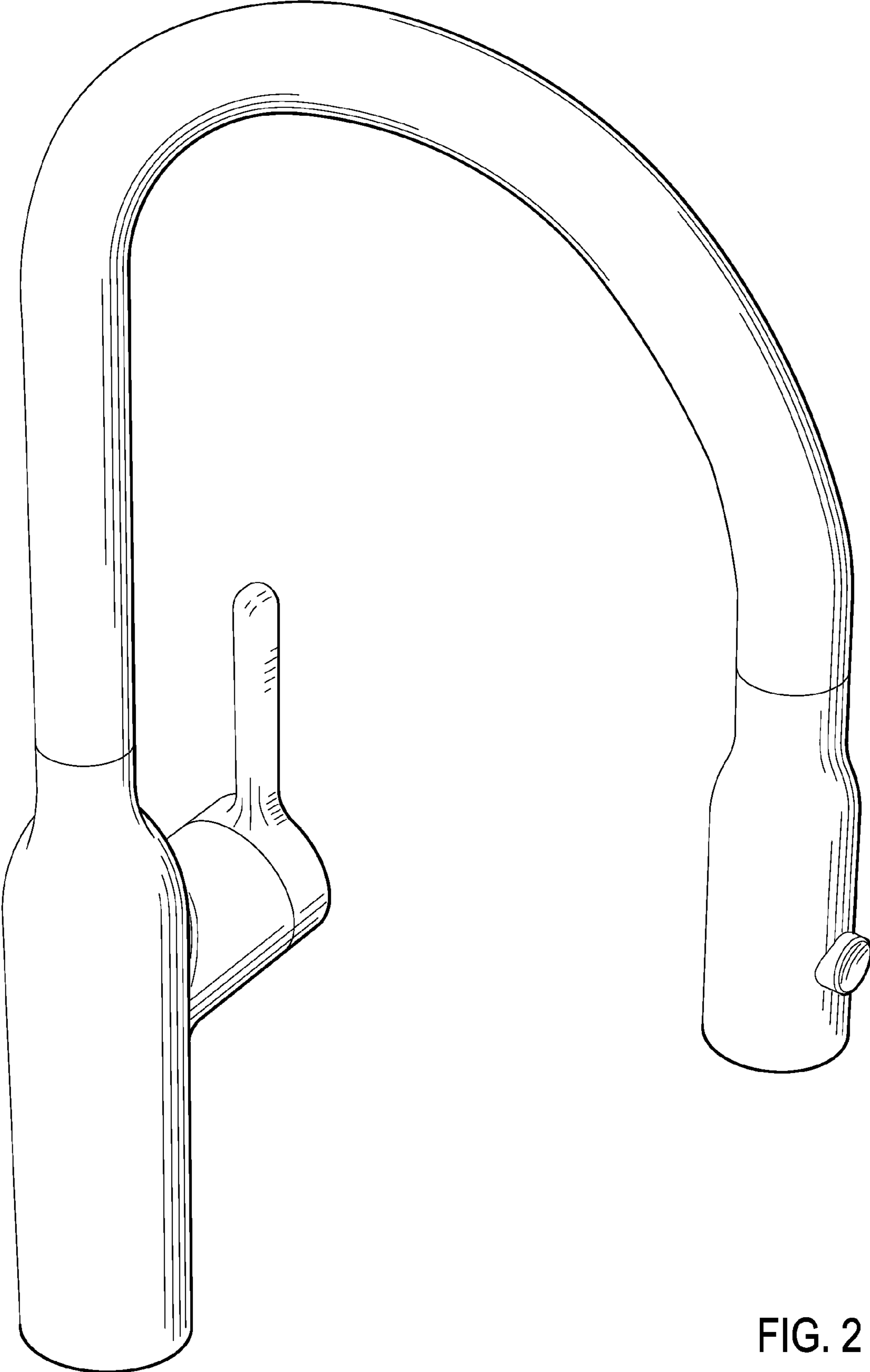
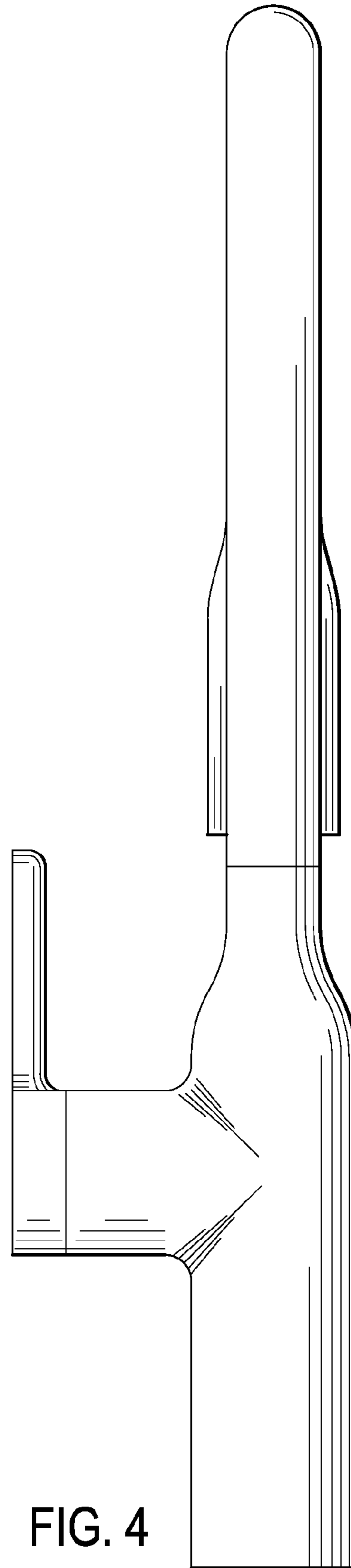
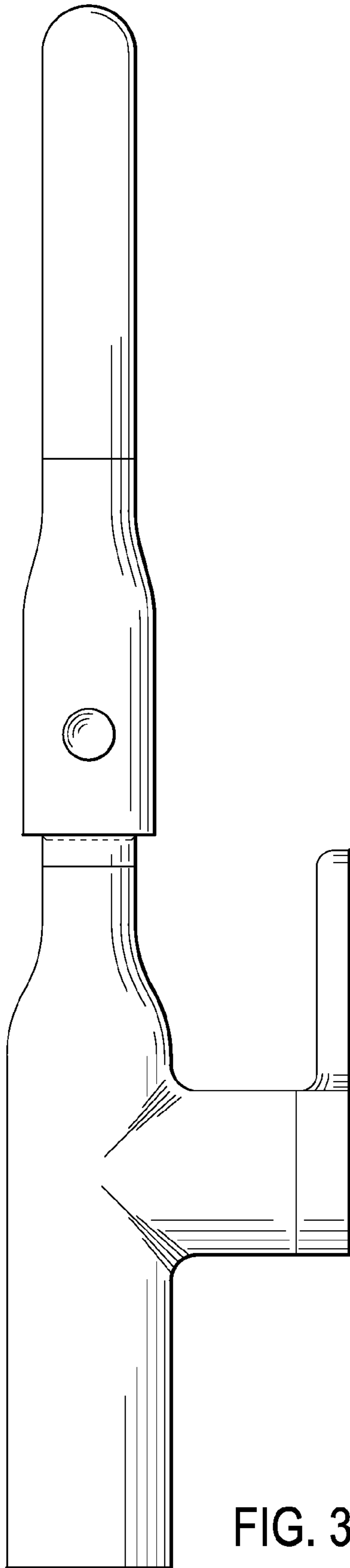


FIG. 2



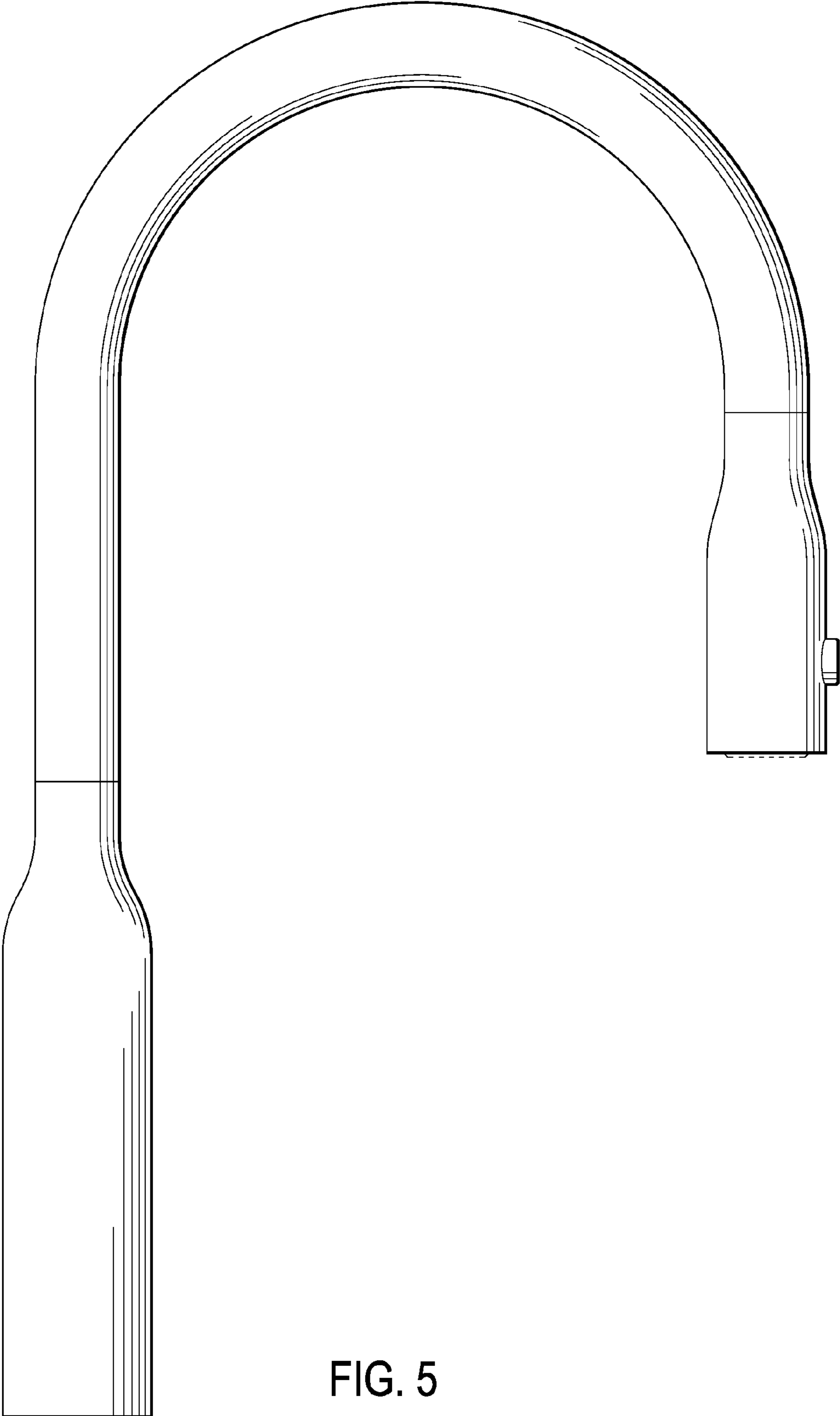


FIG. 5

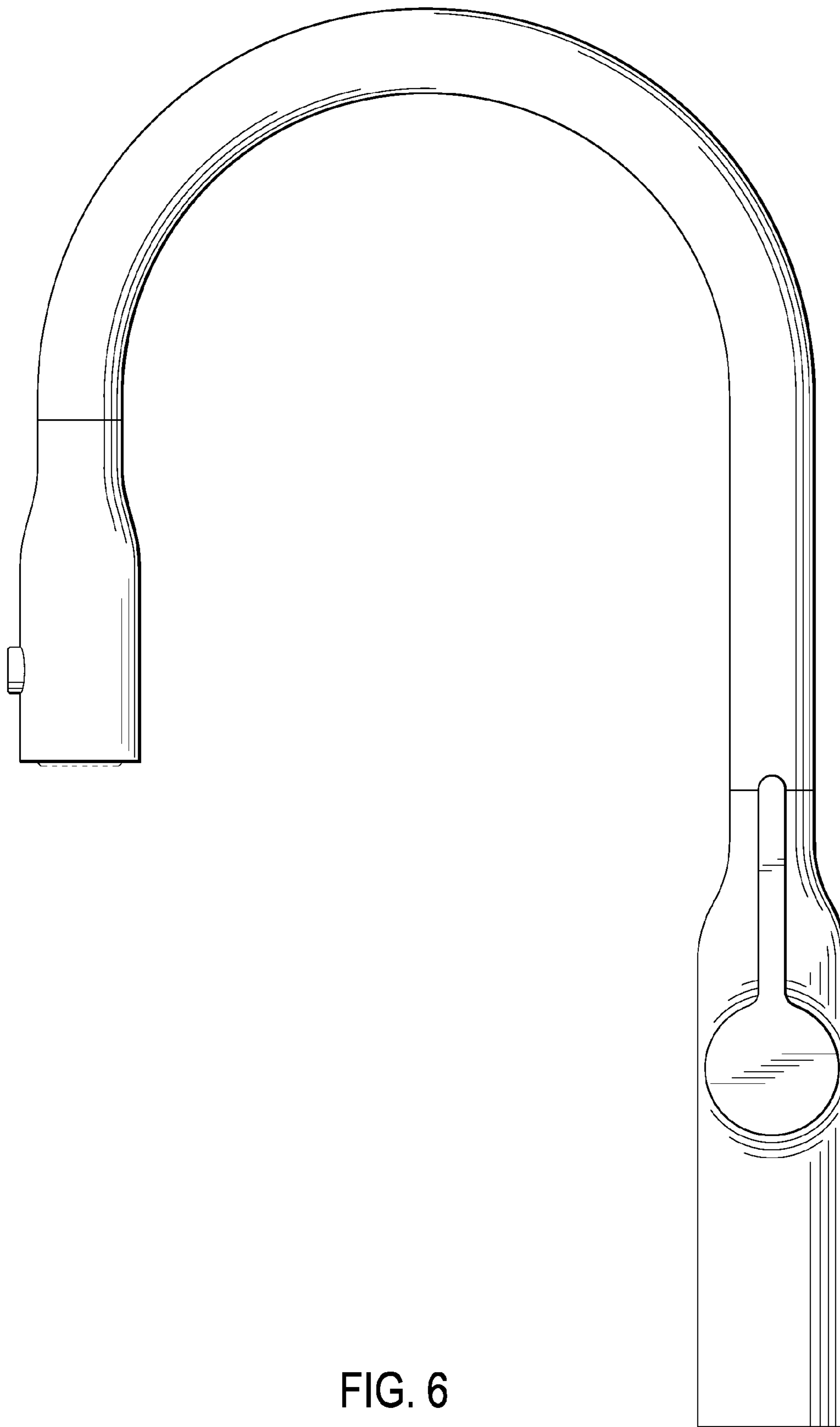


FIG. 6



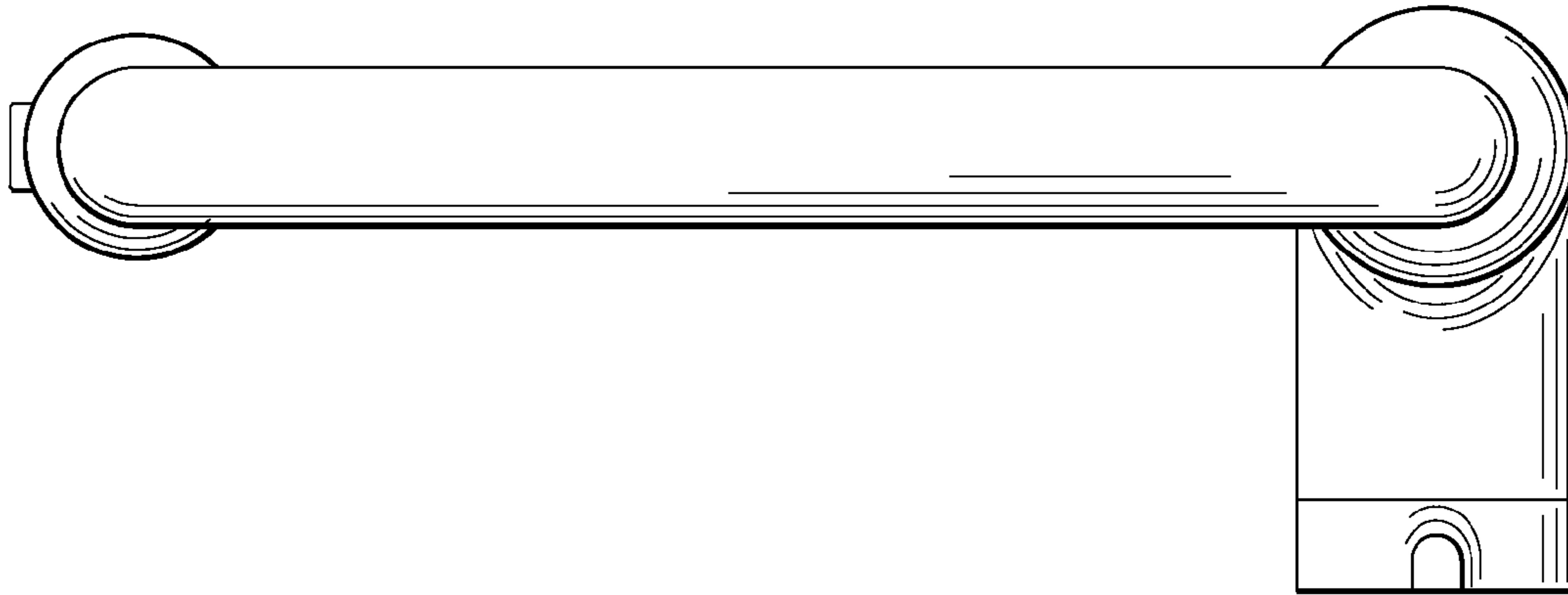


FIG. 7



FIG. 8

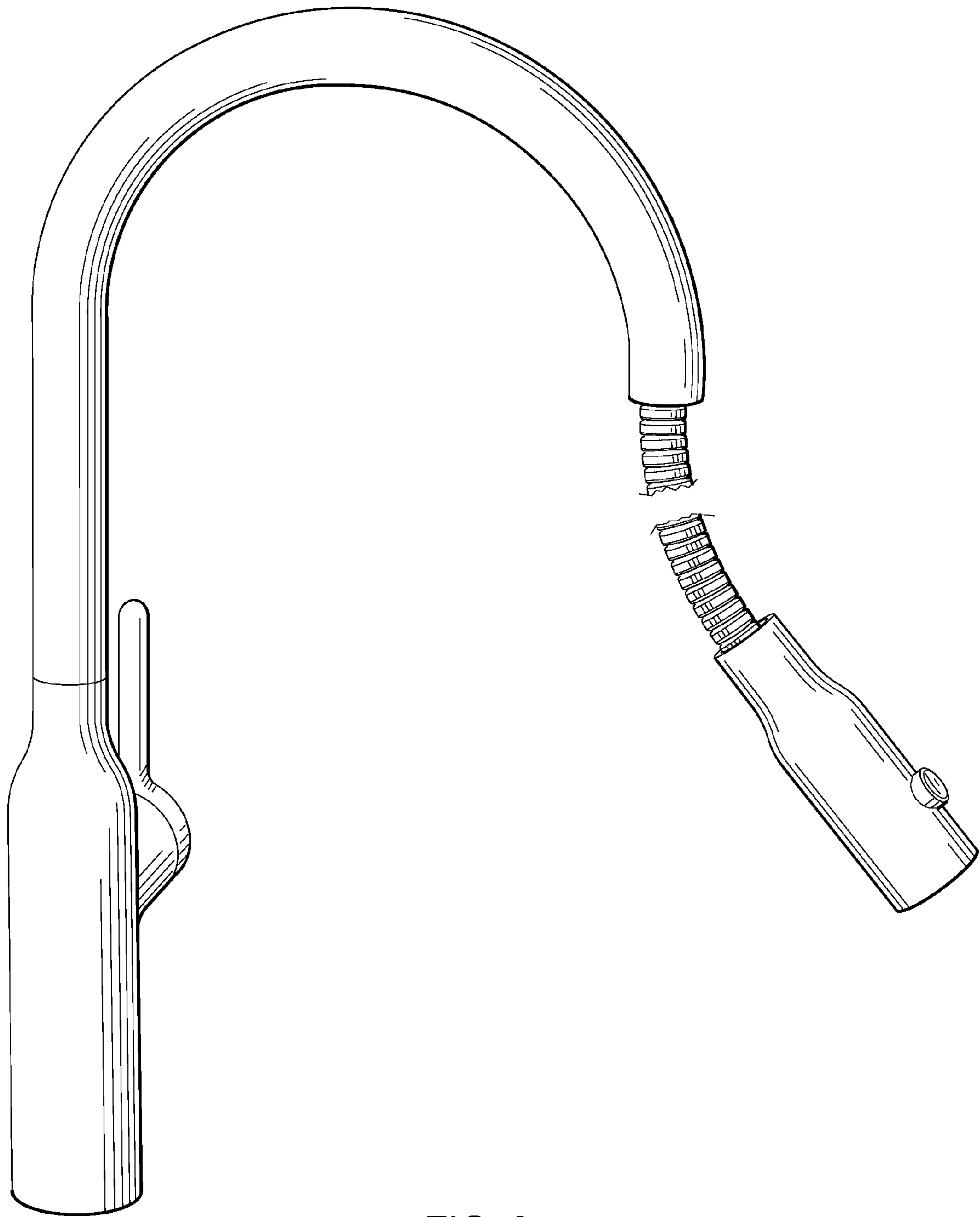


FIG. 9