



US00D612014S

(12) **United States Design Patent**  
**Parsons et al.**

(10) **Patent No.:** **US D612,014 S**  
(45) **Date of Patent:** **\*\* Mar. 16, 2010**

(54) **AUTOMATIC BATHROOM FLUSHER COVER**

(75) Inventors: **Natan E. Parsons**, Brookline, MA (US);  
**Amy Parsons**, legal representative,  
Brookline, MA (US); **Fatih Guler**,  
Winchester, MA (US); **Michael D.**  
**Cattafe**, Bolton, MA (US)

(73) Assignee: **Sloan Valve Company**, Franklin Park,  
IL (US)

(\*\*) Term: **14 Years**

(21) Appl. No.: **29/308,868**

(22) Filed: **Jul. 12, 2008**

**Related U.S. Application Data**

(63) Continuation of application No. 29/294,993, filed on  
Feb. 4, 2008, which is a continuation of application  
No. 10/783,906, filed on Feb. 20, 2004, now Pat. No.  
7,325,781, application No. 29/308,868, filed on Jul.  
12, 2008, which is a continuation of application No.  
11/716,546, filed on Mar. 9, 2007, which is a continu-  
ation of application No. 10/783,701, filed on Feb. 20,  
2004, now Pat. No. 7,188,822.

(51) **LOC (9) Cl.** ..... **23-01**

(52) **U.S. Cl.** ..... **D23/233**

(58) **Field of Classification Search** ..... D23/233-237,  
D23/260, 261; 251/129.04, 30.01-30.05,  
251/45, 129.03; 137/377, 381, 382, 382.5;  
4/302, 304, 305, 313, 406, DIG. 3; 220/724,  
220/726

See application file for complete search history.

(56) **References Cited**

**U.S. PATENT DOCUMENTS**

207,482 A 8/1878 Blessing ..... 137/188  
1,501,331 A 7/1924 Gulick ..... 137/245  
1,518,942 A 12/1924 Spear ..... 251/20.04  
2,471,328 A 5/1949 Jones ..... 137/403  
2,619,122 A 11/1952 Hunter ..... 251/120

2,619,986 A 12/1952 Goepfrich et al. .... 251/129.17  
2,685,301 A 8/1954 Dreier ..... 137/386  
2,827,073 A 3/1958 Owens ..... 137/426  
2,842,400 A 7/1958 Booth et al. .... 239/569  
2,877,791 A 3/1959 Rich ..... 137/487  
2,923,314 A 2/1960 Badger, Jr. et al. .... 137/414  
2,986,155 A 5/1961 Doyle ..... 137/218  
2,999,191 A 9/1961 Muradian et al. .... 361/195  
3,019,453 A 2/1962 Radcliffe ..... 4/249  
3,034,151 A 5/1962 Filliung ..... 4/249  
3,056,143 A 10/1962 Foster ..... 4/249  
3,058,485 A 10/1962 McQueen ..... 137/403  
3,098,635 A 7/1963 Delaporte et al. .... 251/54  
3,242,940 A 3/1966 Sirotek ..... 137/218  
3,254,664 A 6/1966 Delaney et al. .... 137/244  
3,285,261 A 11/1966 Cheney ..... 137/505.12  
3,318,565 A 5/1967 Cutler ..... 251/45  
3,369,205 A 2/1968 Hamrick ..... 335/177  
3,373,449 A 3/1968 Rusnok ..... 4/305

(Continued)

*Primary Examiner*—Cathron C. Brooks  
*Assistant Examiner*—Maurice Stevens  
(74) *Attorney, Agent, or Firm*—Ivan David Zitkovsky

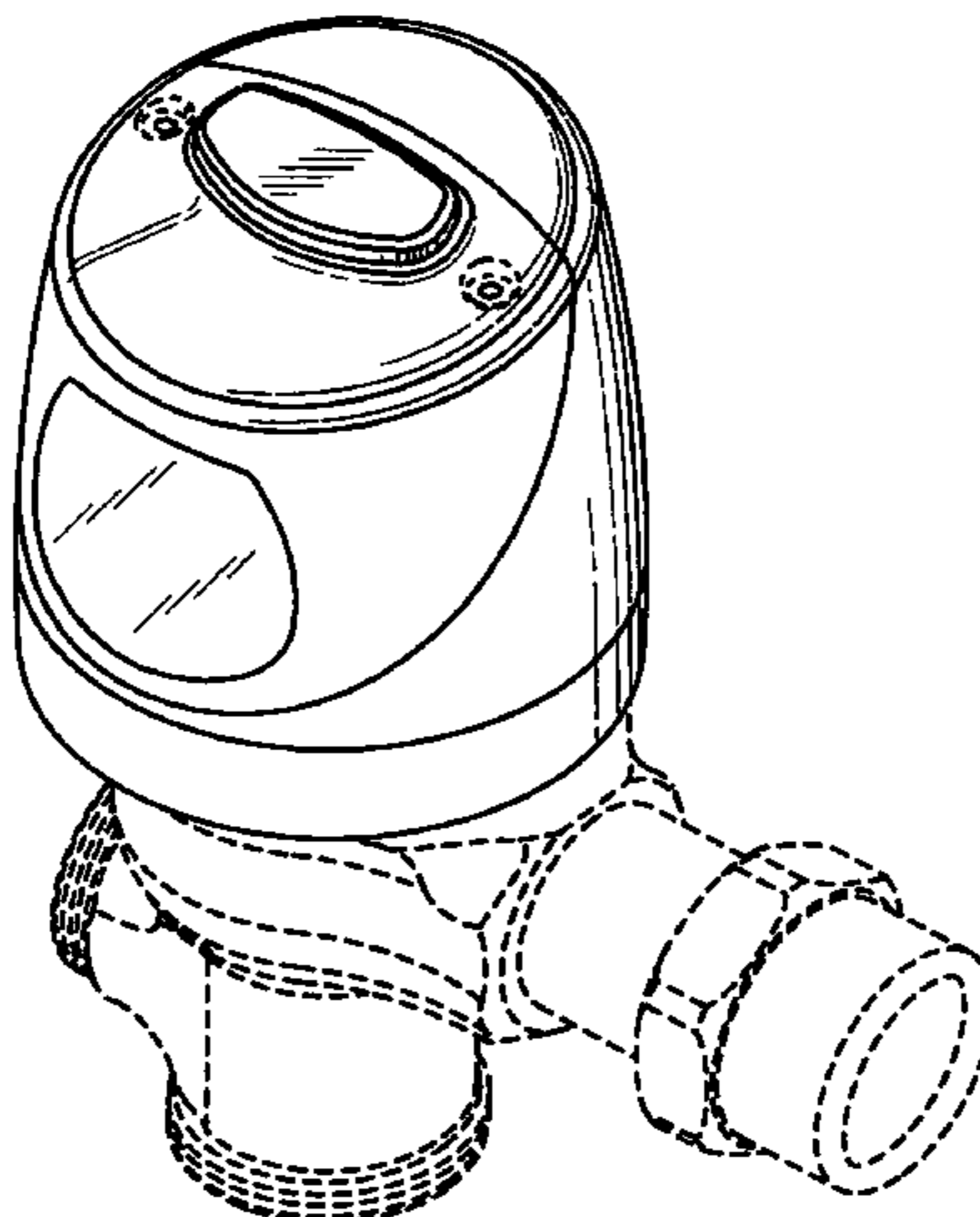
(57) **CLAIM**

The ornamental design for an automatic bathroom flusher  
cover, as shown and described.

**DESCRIPTION**

FIG. 1 is a perspective view of an automatic bathroom flusher  
cover located on a flusher body showing our new design;  
FIG. 2 is a front view thereof;  
FIG. 3 is a top view thereof; and,  
FIG. 4 is a perspective view of the removable portion of the  
enclosure, shown separately for completeness of illustration.  
The broken line showing of a flusher body forms no part of the  
claimed design.

**1 Claim, 2 Drawing Sheets**



# US D612,014 S

U.S. PATENT DOCUMENTS			
3,386,462 A	6/1968	Walters .....	137/244
3,400,731 A	9/1968	McCormack .....	137/245
3,495,803 A	2/1970	Schoepe et al. ....	251/25
3,495,804 A	2/1970	Muller et al. ....	251/36
3,559,675 A	2/1971	Schoepe et al. ....	137/436
3,586,017 A	6/1971	Walters .....	137/59
3,606,241 A	9/1971	Bornholdt .....	251/52
3,693,649 A	9/1972	Gordon et al. ....	137/414
3,740,019 A	6/1973	Kessell et al. ....	251/129.17
3,763,881 A	10/1973	Jones .....	137/414
3,778,023 A	12/1973	Billetter .....	251/30.01
3,791,619 A	2/1974	Pett .....	251/45
3,802,462 A	4/1974	Trösch .....	137/556
3,812,398 A	5/1974	Kozel et al. ....	251/331
3,821,967 A	7/1974	Sturman .....	137/624.15
3,842,857 A	10/1974	McComack .....	137/242
3,895,645 A	7/1975	Johnson .....	137/403
4,010,769 A	3/1977	De Lorenzo et al. ....	137/312
4,065,095 A	12/1977	Johnson .....	251/118
4,097,786 A	6/1978	Lund .....	318/282
4,105,186 A	8/1978	Eby .....	251/35
4,135,696 A	1/1979	Saarem et al. ....	251/30.02
4,141,091 A	2/1979	Pulvari .....	4/313
4,206,901 A	6/1980	Williams .....	251/35
4,231,287 A	11/1980	Smiley .....	92/94
4,272,052 A	6/1981	Gidner .....	251/39
4,280,680 A	7/1981	Payne .....	251/175
4,295,485 A	10/1981	Waterfield .....	137/74
4,295,631 A	10/1981	Allen .....	251/30.03
4,295,653 A	10/1981	Coles .....	277/320
4,304,391 A	12/1981	Yamaguchi .....	251/129.05
4,309,781 A	1/1982	Lissau .....	4/304
4,383,234 A	5/1983	Yatsushiro et al. ....	335/253
4,505,451 A	3/1985	Jonas .....	251/285
4,570,272 A	2/1986	Kawaguchi et al. ....	4/302
4,597,895 A	7/1986	Bartlett .....	252/392
4,604,735 A	8/1986	Parsons .....	367/93
4,609,178 A	9/1986	Baumann .....	251/229
4,611,356 A	9/1986	Lin .....	4/301
4,709,427 A	12/1987	Laverty, Jr. ....	4/427
4,729,342 A	3/1988	Loctin .....	119/163
4,756,031 A	7/1988	Barrett .....	4/407
4,787,411 A	11/1988	Moldenhauer .....	137/244
4,793,588 A	12/1988	Laverty, Jr. ....	251/30.03
4,796,662 A	1/1989	Hoffmann et al. ....	137/596.16
4,805,247 A	2/1989	Laverty, Jr. ....	4/304
4,823,414 A	4/1989	Piersimoni et al. ....	4/623
4,823,825 A	4/1989	Buchl .....	137/1
4,826,132 A	5/1989	Moldenhauer .....	251/129.17
4,832,582 A	5/1989	Buffet .....	417/413.1
4,839,039 A	6/1989	Parsons et al. ....	210/143
4,887,032 A	12/1989	Hetrick .....	324/207.16
4,891,864 A	1/1990	Laverty, Jr. ....	91/399
4,893,645 A	1/1990	Augustinas et al. ....	137/315.03
4,894,698 A	1/1990	Hijikigawa et al. ....	257/254
4,894,874 A	1/1990	Wilson .....	4/623
4,910,487 A	3/1990	Kleinhappl .....	335/234
4,911,401 A	3/1990	Holcomb et al. ....	251/30.03
4,921,208 A	5/1990	LaMarca .....	251/30.04
4,921,211 A	5/1990	Novak et al. ....	251/129.04
4,932,430 A	6/1990	Fernstrom .....	137/85
4,941,215 A	7/1990	Liu .....	4/406
4,941,219 A	7/1990	Van Marcke .....	4/623
4,944,487 A	7/1990	Holtermann .....	251/129.17
4,965,448 A	10/1990	Morse .....	251/252.1
4,977,929 A	12/1990	Chinnock et al. ....	137/863
4,988,074 A	1/1991	Najmolhoda .....	251/129.08
4,989,277 A	2/1991	Tsutsui et al. ....	4/367
4,998,673 A	3/1991	Pilolla .....	239/67
5,025,516 A	6/1991	Wilson .....	4/623
5,027,850 A	7/1991	Peterson et al. ....	137/245
5,032,812 A			
5,036,553 A			
5,074,520 A	12/1991	Lee et al. ....	251/40
5,109,886 A	5/1992	Takata et al. ....	137/596.17
5,125,621 A	6/1992	Parsons et al. ....	251/30.03
5,127,625 A	7/1992	Kleinhappl .....	251/129.17
5,169,118 A	12/1992	Whiteside .....	251/30.03
5,188,337 A	2/1993	Mertens et al. ....	251/129.17
5,195,720 A *	3/1993	Nortier et al. ....	251/129.04
5,213,303 A	5/1993	Walker .....	251/30.02
5,213,305 A	5/1993	Whiteside et al. ....	251/40
5,224,685 A	7/1993	Chiang et al. ....	251/129.04
5,232,194 A	8/1993	Saadi et al. ....	251/40
5,244,179 A	9/1993	Wilson .....	251/30.03
5,245,024 A	9/1993	Scarpa et al. ....	536/56
5,251,188 A	10/1993	Parsons et al. ....	367/140
5,265,594 A	11/1993	Olsson et al. ....	128/204.18
5,265,843 A	11/1993	Kleinhappl .....	251/129.17
5,281,808 A	1/1994	Kunkel .....	250/221
5,295,655 A	3/1994	Wilson et al. ....	251/40
5,313,673 A	5/1994	Saadi et al. ....	4/313
5,315,719 A	5/1994	Tsutsui et al. ....	4/300
5,335,694 A	8/1994	Whiteside .....	137/625.37
5,375,811 A	12/1994	Reinicke .....	251/129.16
D354,113 S *	1/1995	Nortier et al. ....	D23/233
D355,478 S	2/1995	Allen et al. ....	D23/249
5,408,369 A	4/1995	Miura et al. ....	360/75
D357,976 S	5/1995	Allen et al. ....	D23/249
5,412,816 A	5/1995	Paterson et al. ....	4/623
5,431,181 A	7/1995	Saadi et al. ....	137/15.11
5,433,245 A	7/1995	Prather et al. ....	137/554
5,456,279 A	10/1995	Parsons et al. ....	137/245
5,474,303 A	12/1995	Coles .....	277/317
5,481,187 A	1/1996	Marcott et al. ....	324/207.16
5,508,510 A	4/1996	Laverty et al. ....	250/221
5,539,198 A	7/1996	McMichael et al. ....	250/221
5,548,119 A	8/1996	Nortier .....	250/341.1
5,555,912 A	9/1996	Saadi et al. ....	137/801
5,566,702 A	10/1996	Philipp .....	137/1
5,574,617 A	11/1996	Shimanuki et al. ....	361/154
5,583,434 A	12/1996	Moyers et al. ....	324/207.16
5,584,465 A	12/1996	Ochsenreiter .....	251/65
5,600,237 A	2/1997	Nippert .....	324/207.16
5,636,601 A	6/1997	Moriya et al. ....	123/90.11
5,668,366 A	9/1997	Mauerhofer .....	250/221
5,680,879 A	10/1997	Sheih et al. ....	137/240
5,708,355 A	1/1998	Schrey .....	323/282
5,716,038 A	2/1998	Scarffe .....	251/30.03
5,747,684 A	5/1998	Pace et al. ....	73/119 A
D396,090 S	7/1998	Marcichow et al. ....	D23/233
5,785,955 A	7/1998	Fischer .....	424/49
5,787,915 A	8/1998	Byers et al. ....	137/1
5,787,924 A	8/1998	Cewers et al. ....	137/487.5
5,797,360 A	8/1998	Pischinger et al. ....	123/90.11
5,804,962 A	9/1998	Kather et al. ....	324/207.16
5,815,362 A	9/1998	Kahr et al. ....	361/153
5,819,336 A	10/1998	Gilliam et al. ....	4/623
5,881,993 A	3/1999	Wilson et al. ....	251/40
5,887,848 A	3/1999	Wilson .....	251/40
5,900,201 A	5/1999	Chatterjee et al. ....	264/109
5,901,384 A	5/1999	Sim .....	4/313
5,905,625 A	5/1999	Schebitz .....	361/154
D411,609 S *	6/1999	Stoltenberg et al. ....	D23/233
5,941,505 A	8/1999	Nagel .....	251/335.2
5,950,983 A	9/1999	Jahrling .....	251/129.04
5,964,192 A	10/1999	Ishii .....	123/90.11
5,967,182 A	10/1999	Wilson .....	137/544
5,975,370 A	11/1999	Durliat .....	222/153.06
5,979,500 A	11/1999	Jahrling et al. ....	137/624.12
5,984,262 A	11/1999	Parsons et al. ....	251/129.04
5,996,965 A	12/1999	Eichholz et al. ....	251/30.05
6,000,674 A	12/1999	Cheng .....	251/26
6,019,343 A	2/2000	Tsai .....	251/30.02

# US D612,014 S

Page 3

---

6,024,059 A	2/2000	Kamimaru et al. ....	123/90.11	6,340,032 B1	1/2002	Zosimadis .....	137/552
6,044,814 A	4/2000	Fuwa .....	123/90.11	6,353,942 B1	3/2002	Pondelick et al. ....	4/431
6,056,261 A	5/2000	Aparicio et al. ....	251/129.03	6,367,096 B1	4/2002	Quintana .....	4/427
6,127,671 A	10/2000	Parsons et al. ....	250/221	6,382,586 B1	5/2002	Wilson et al. ....	251/40
6,155,231 A	12/2000	Adachi et al. ....	123/399	6,450,478 B2	9/2002	Parsons et al. ....	251/129.04
6,158,715 A	12/2000	Kirschbaum .....	251/129.06	6,499,152 B2	12/2002	Johnson .....	3/302
6,161,726 A	12/2000	Parsons et al. ....	222/52	6,609,698 B1	8/2003	Parsons et al. ....	251/129.17
6,182,689 B1	2/2001	Lauer et al. ....	137/350	6,619,614 B2	9/2003	Parsons et al. ....	251/129.04
6,212,697 B1	4/2001	Parsons et al. ....	4/302	D480,450 S *	10/2003	Saadi et al. ....	D23/249
6,216,730 B1	4/2001	Hall .....	137/550	6,643,853 B2	11/2003	Wilson et al. ....	4/249
6,227,219 B1	5/2001	Pino .....	137/1	6,659,420 B2	12/2003	Hwang .....	251/26
6,243,885 B1	6/2001	Lopez-Torres, Jr. ....	4/300	6,685,158 B2	2/2004	Parsons .....	251/30.01
6,260,576 B1	7/2001	Allen .....	137/550	6,781,835 B2	3/2005	Parsons .....	251/30.83
6,273,394 B1	8/2001	Vincent et al. ....	251/129.04	7,188,822 B2 *	3/2007	Marcichow et al. ....	251/30.01
6,293,516 B1	9/2001	Parsons et al. ....	251/129.04	7,325,781 B2 *	2/2008	Parsons et al. ....	251/129.04
6,299,127 B1	10/2001	Wilson .....	251/38	2007/0246671 A1	10/2007	Marcichow et al. ....	251/30.01
6,305,662 B1	10/2001	Parsons et al. ....	251/129.04				
D452,898 S *	1/2002	Johnson .....	D23/233				

\* cited by examiner

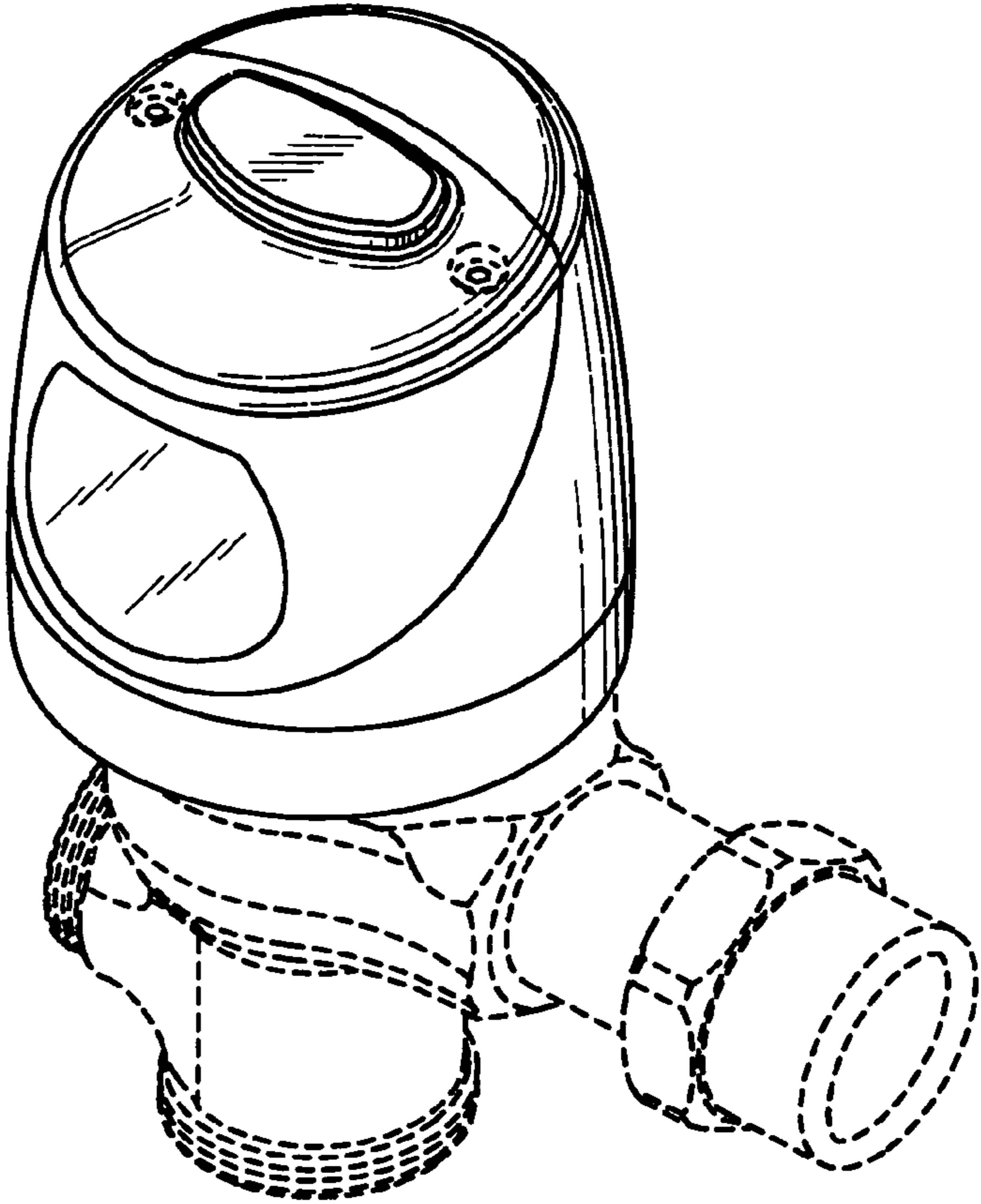


FIG. 1

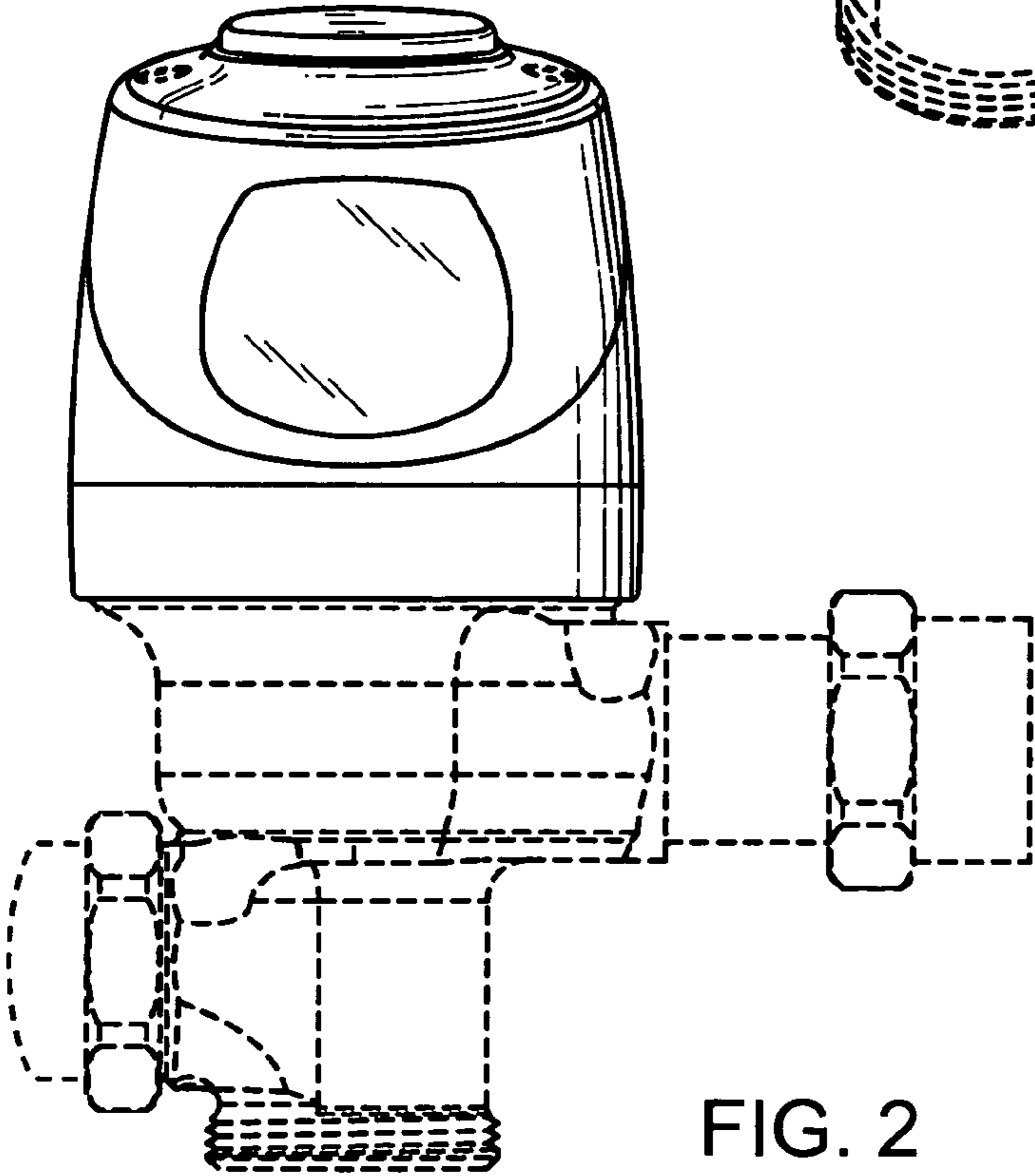


FIG. 2

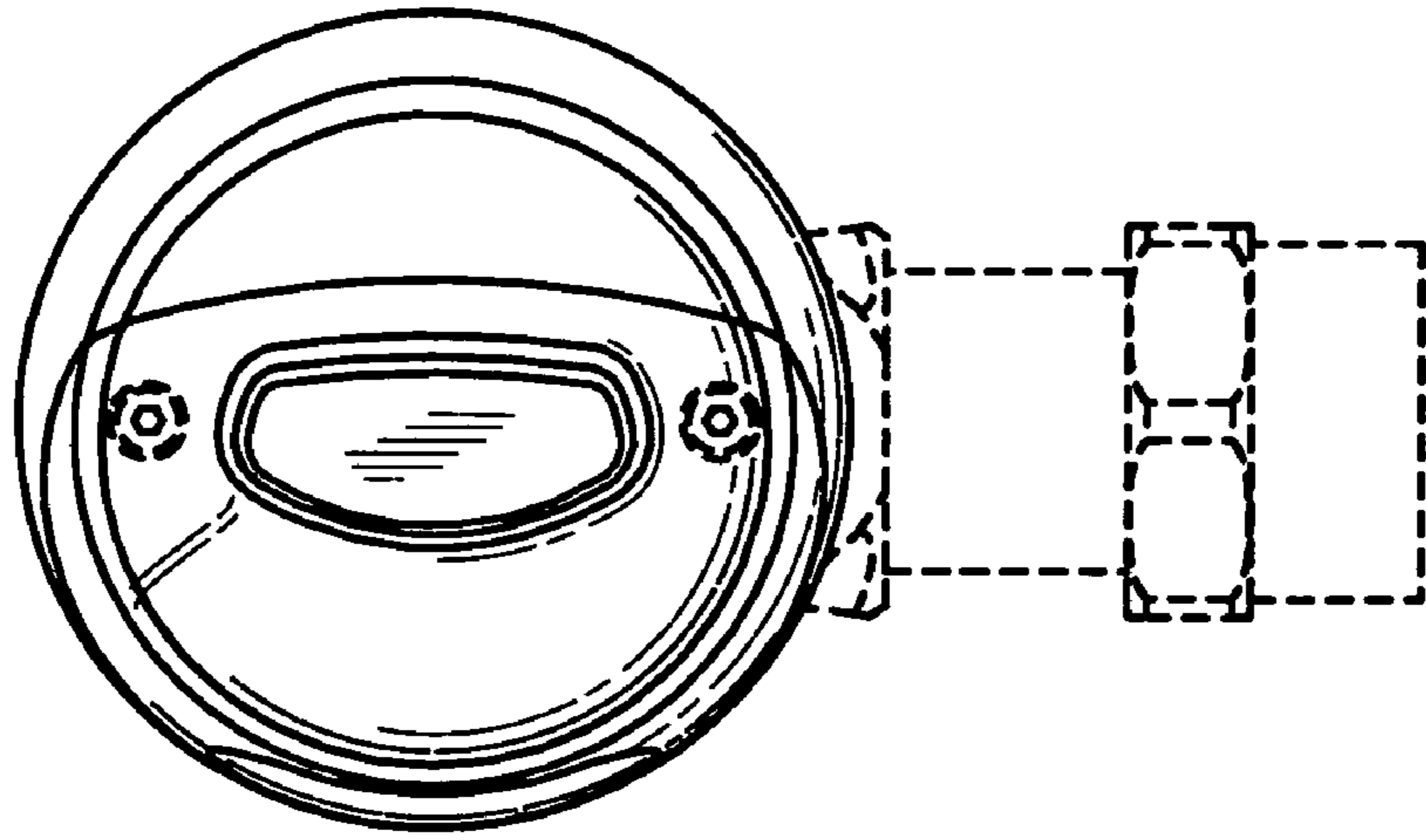


FIG. 3

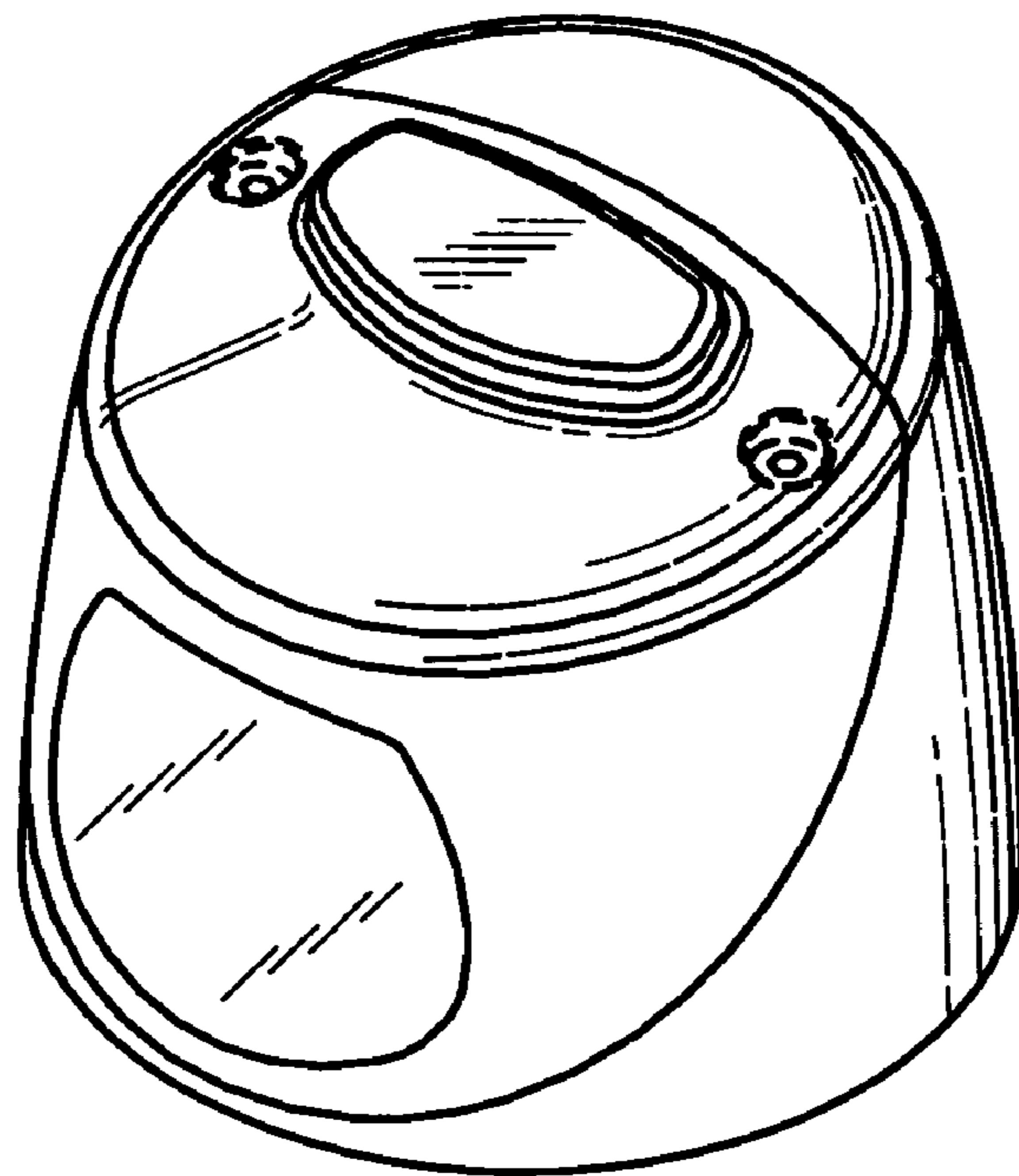


FIG. 4