



US00D612012S

(12) **United States Design Patent**
Buermann

(10) **Patent No.:** **US D612,012 S**
(45) **Date of Patent:** **** Mar. 16, 2010**

(54) **SEAL RETAINER STRAP HAVING FLANGES**

(76) Inventor: **Henry Buermann**, 275 Woods Rd.,
Brookfield, VT (US) 05036

(**) Term: **14 Years**

(21) Appl. No.: **29/286,476**

(22) Filed: **May 7, 2007**

(51) **LOC (9) Cl.** **23-01**

(52) **U.S. Cl.** **D23/233**

(58) **Field of Classification Search** D23/233-237,
D23/244, 245, 422; D9/435, 447, 449, 455;
D8/402, 400, 395, 394; D24/176; 285/34,
285/35, 275, 277

See application file for complete search history.

(56) **References Cited**

U.S. PATENT DOCUMENTS

D257,325 S *	10/1980	Jones	D8/400
D306,553 S *	3/1990	Rumpel	D8/395
D342,580 S *	12/1993	Harrison	D25/118
D354,773 S *	1/1995	Koves	D19/99
D378,459 S *	3/1997	Hansen	D34/38
D379,299 S *	5/1997	Fitzgibbons	D8/402
5,822,941 A *	10/1998	Kinsella	52/506.05
D400,967 S *	11/1998	Schreiner et al.	D23/233
D513,171 S *	12/2005	Richardson	D8/394

D558,329 S *	12/2007	Esjunin et al.	D23/422
D559,672 S *	1/2008	Alexander	D8/395
D600,545 S *	9/2009	Quach	D8/395

* cited by examiner

Primary Examiner—Cathron C Brooks

Assistant Examiner—Austin Murphy

(74) *Attorney, Agent, or Firm*—Kevin Ellicott, Esq.

(57) **CLAIM**

The ornamental design for a seal retainer strap having flanges, as shown and described.

DESCRIPTION

FIG. 1 is a perspective view showing the seal retainer strap having flanges.

FIG. 2 is a left side elevational view of thereof.

FIG. 3 is a right side elevational view thereof.

FIG. 4 is rear side elevational view thereof.

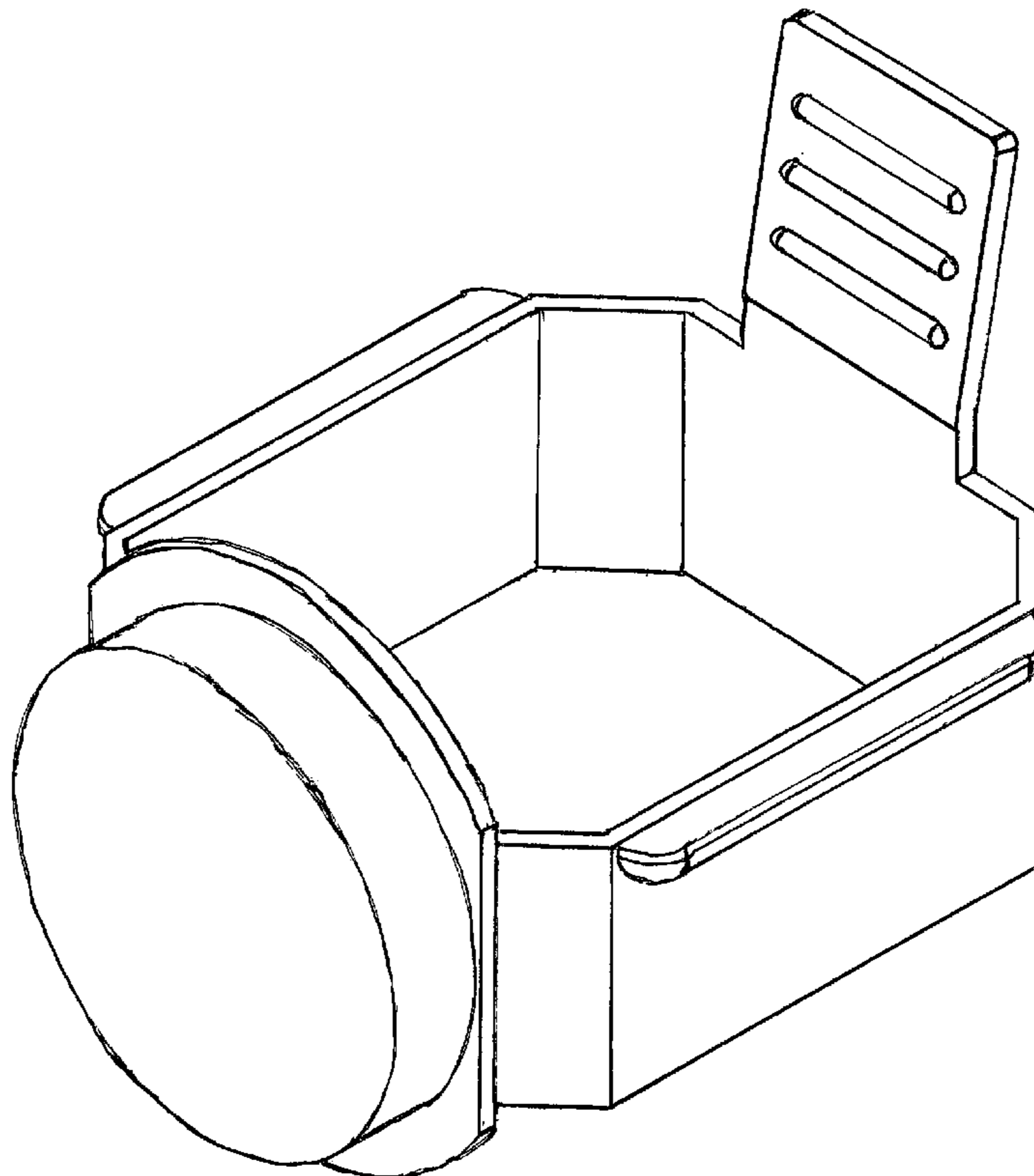
FIG. 5 is a front side elevational view thereof.

FIG. 6 is a bottom plan view thereof; and,

FIG. 7 is a top plan view thereof.

The broken lines shown in FIGS. 6 and 7 represent unclaimed portions of the seal retainer strap having flanges and form no part of the claimed design.

1 Claim, 7 Drawing Sheets



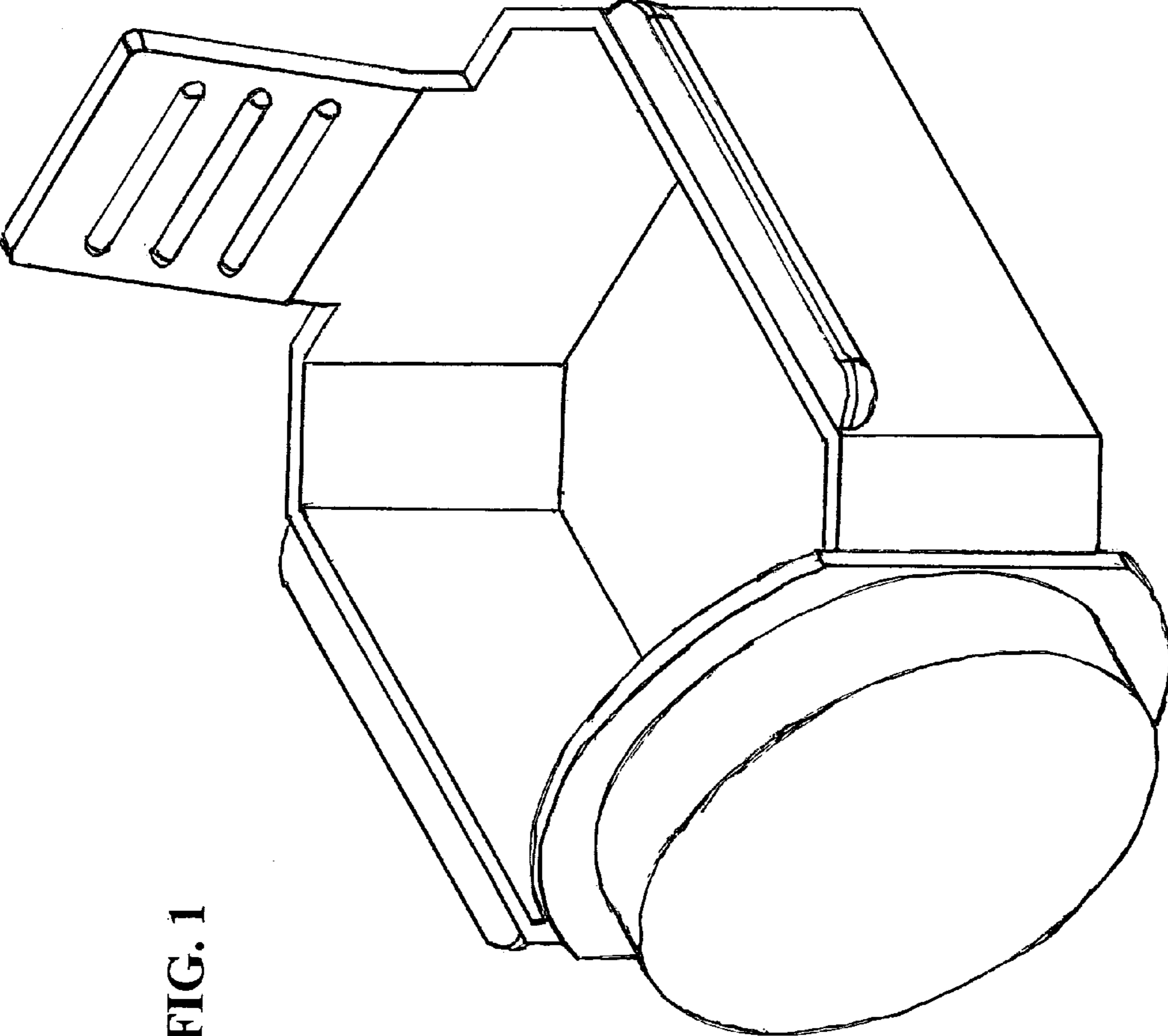
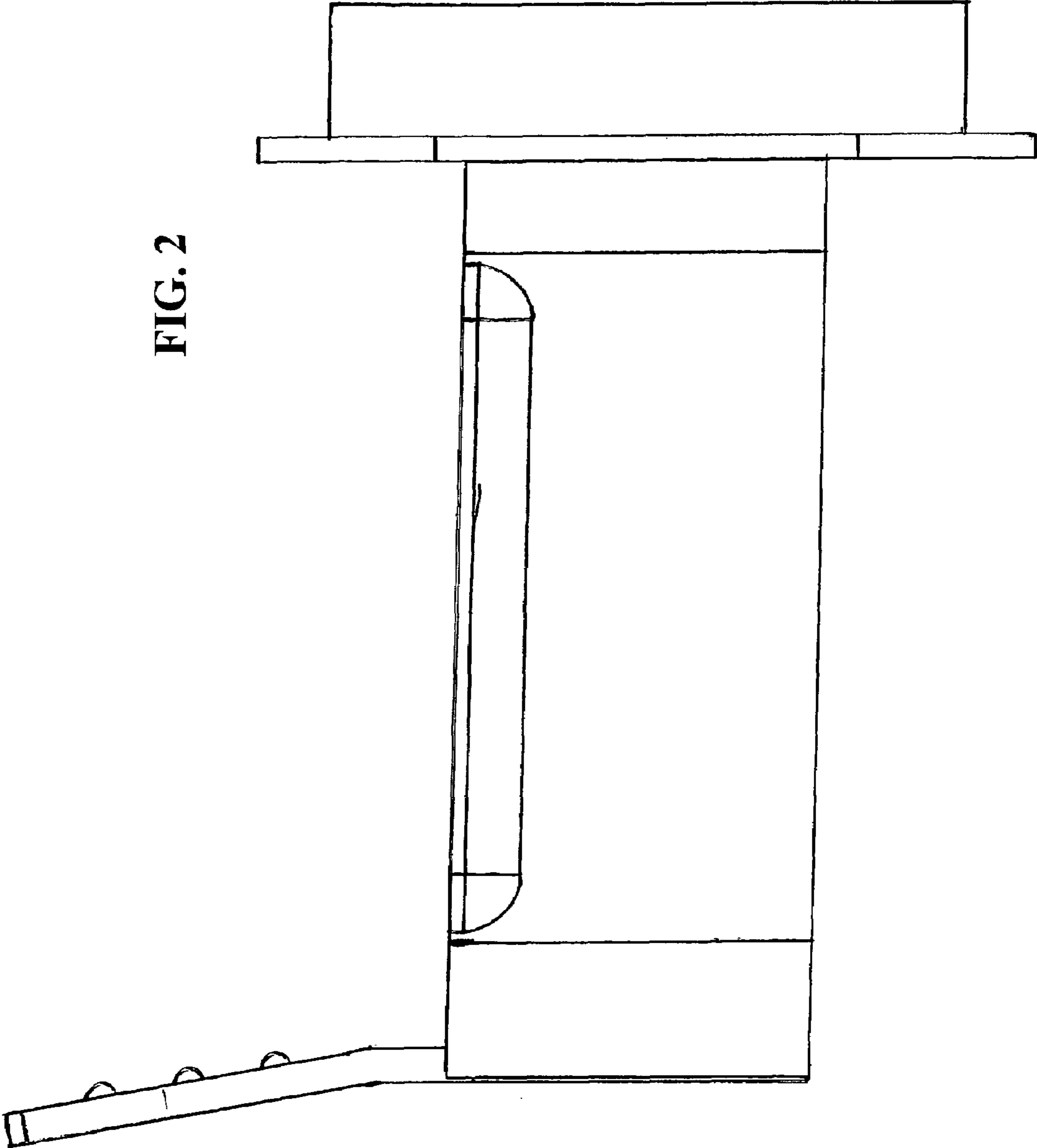


FIG. 1

FIG. 2



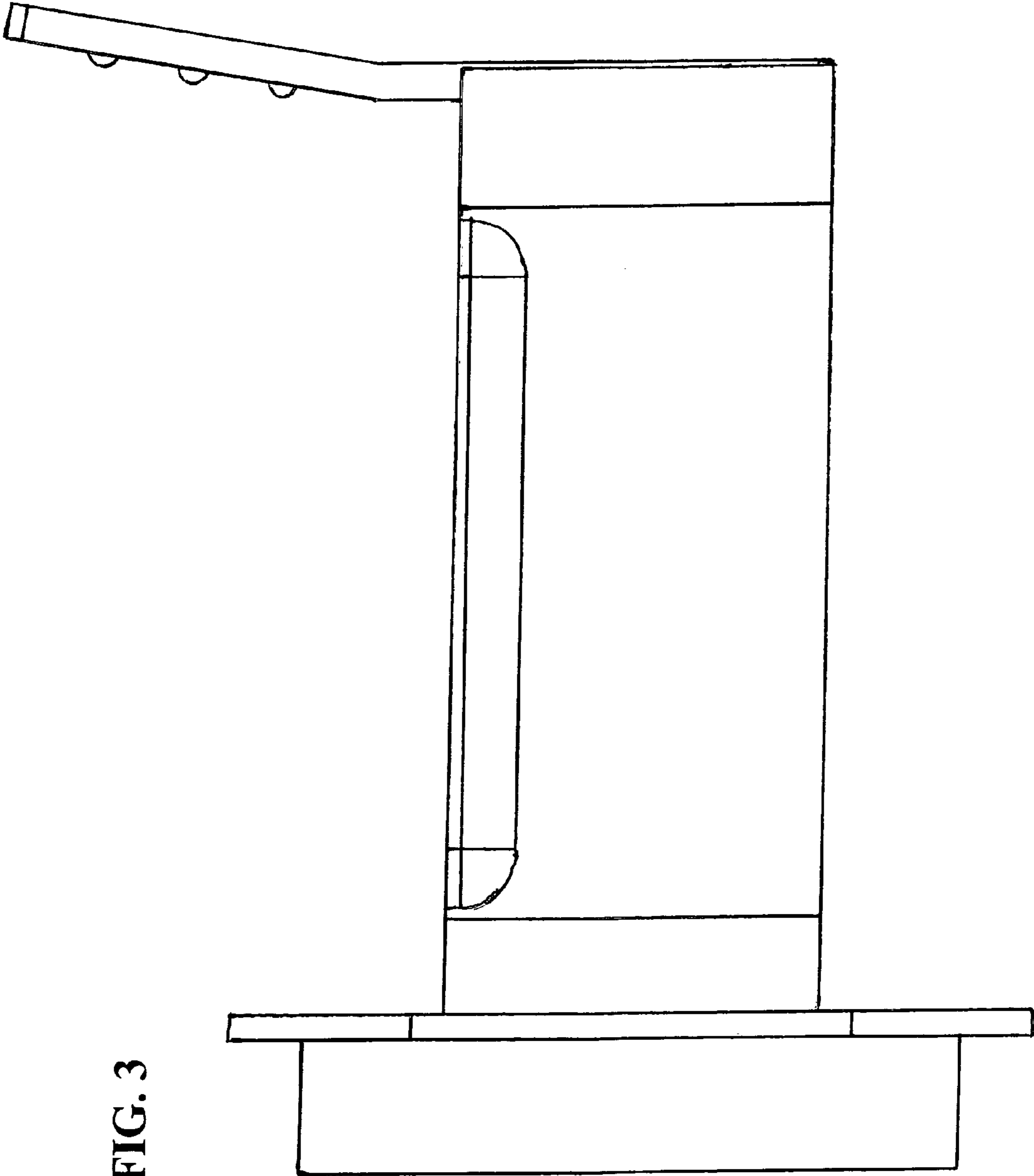


FIG. 3

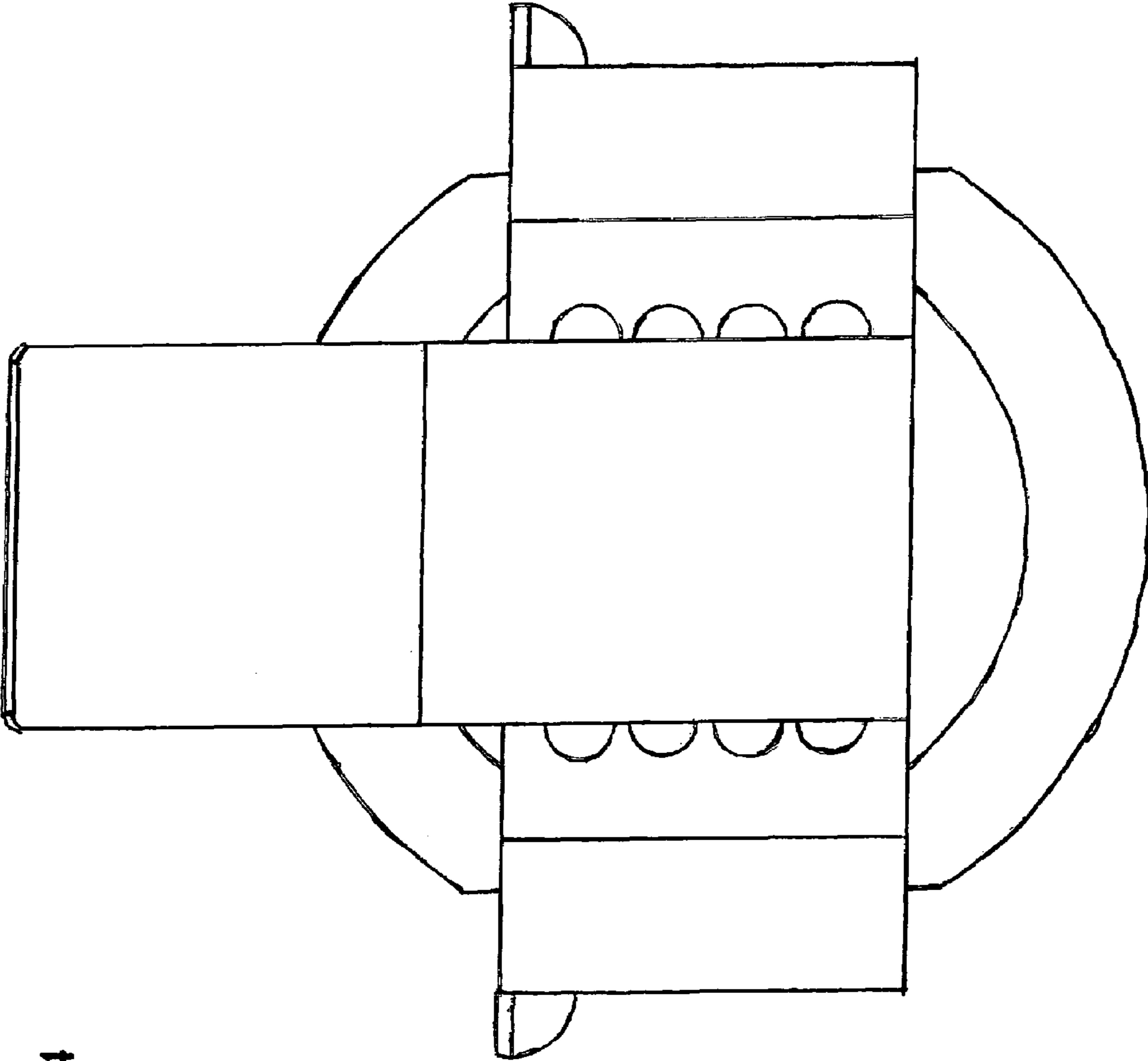


FIG. 4

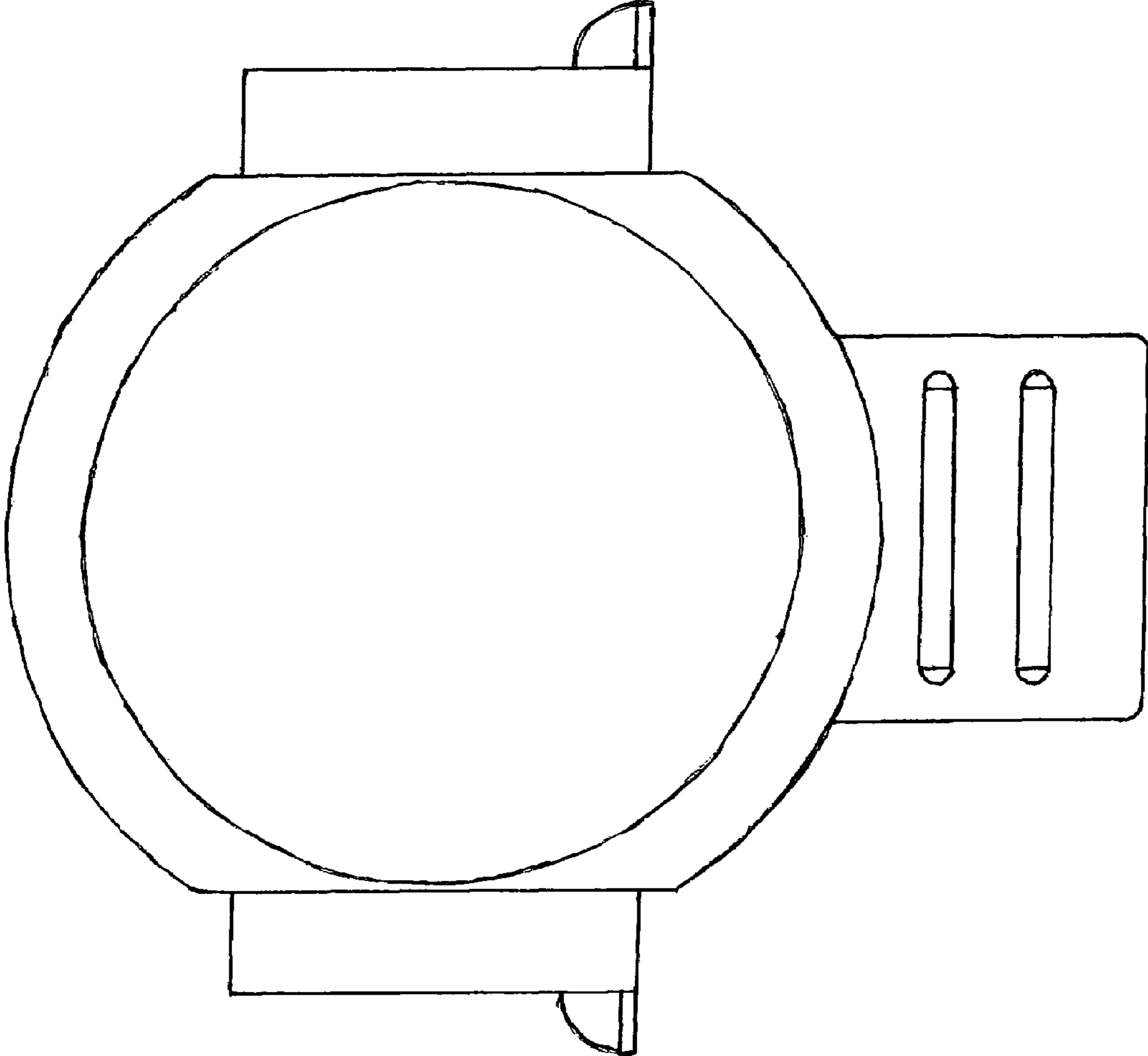


FIG. 5

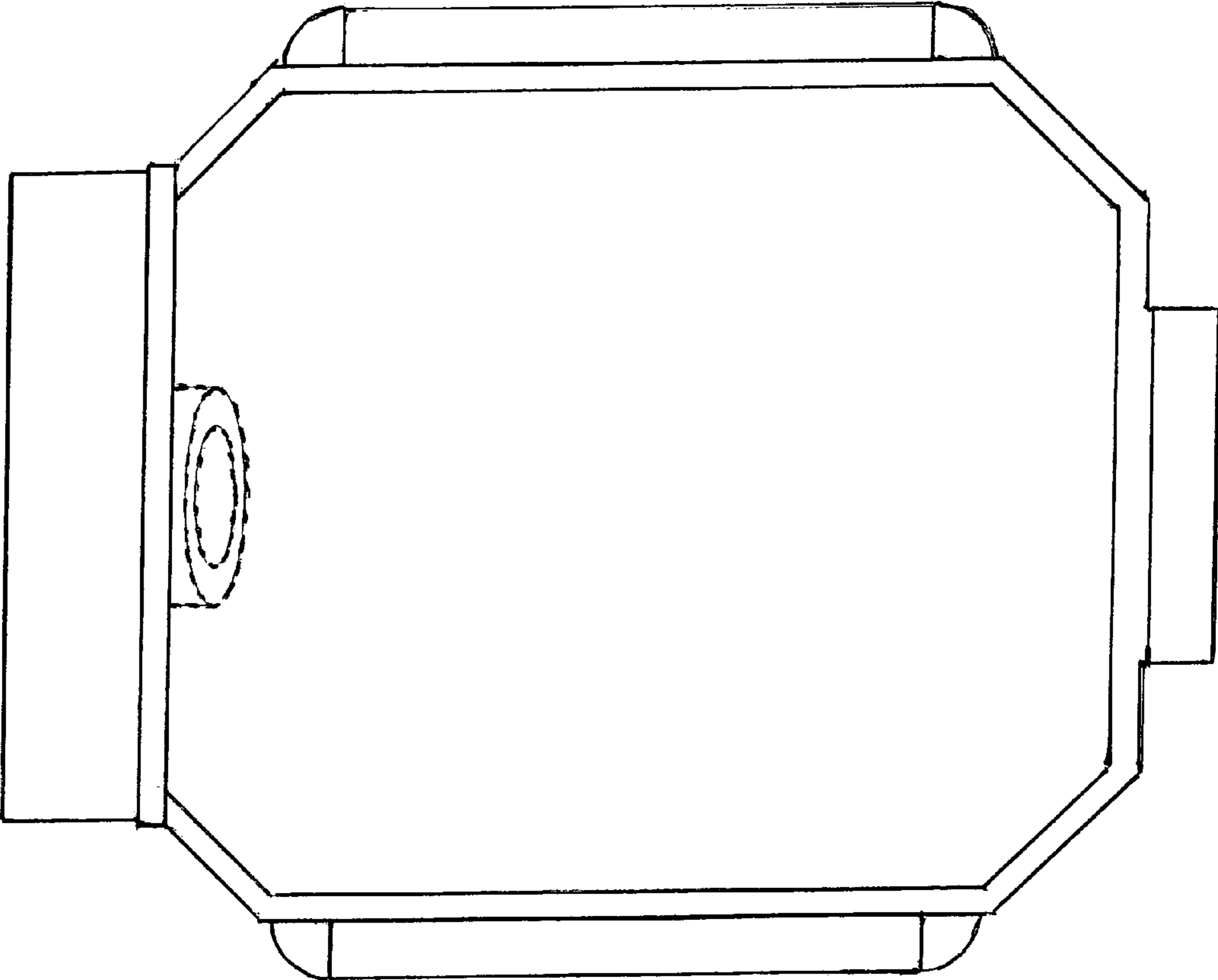


FIG. 6

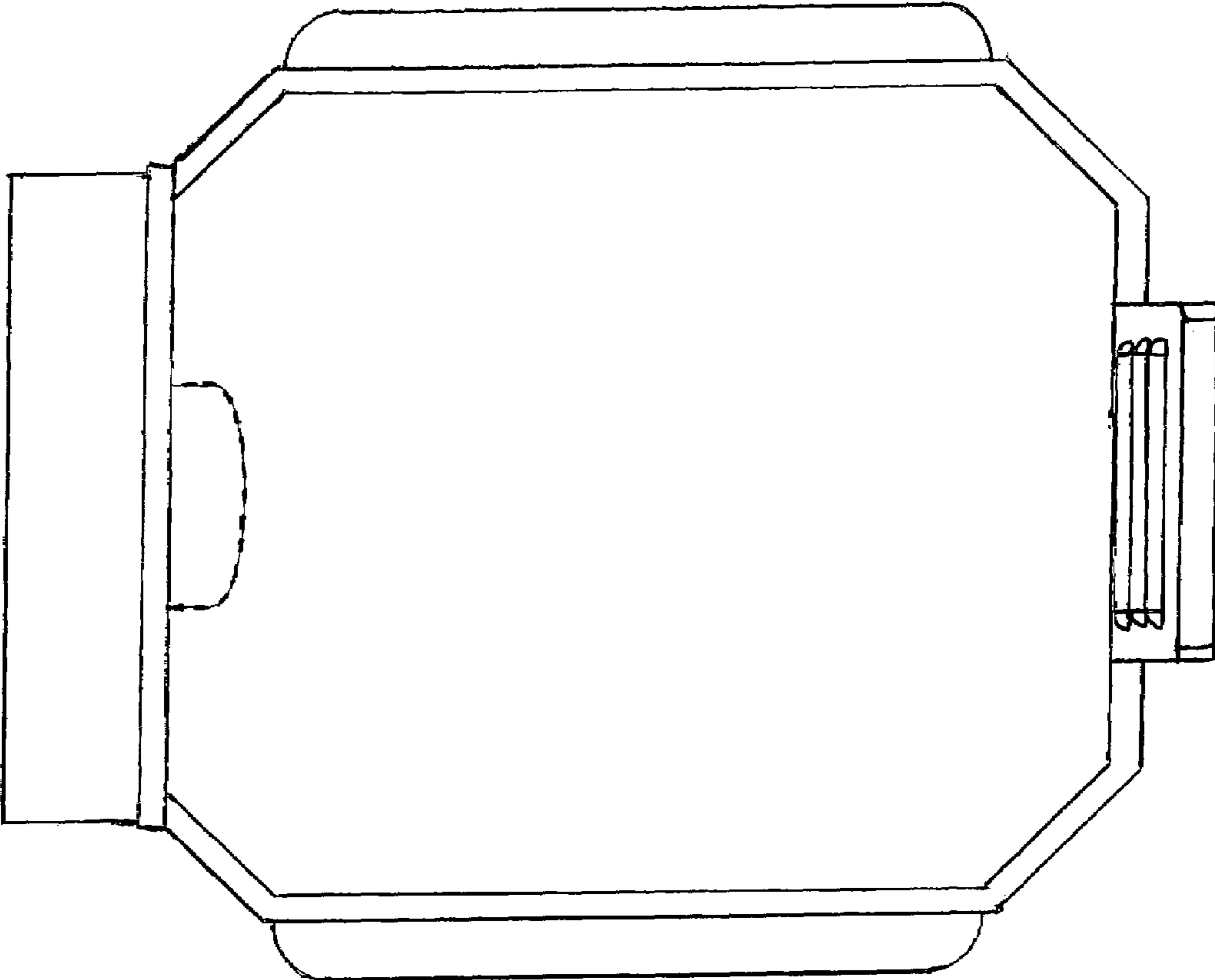


FIG. 7