



US00D612010S

(12) **United States Design Patent**
Schoenherr et al.

(10) **Patent No.:** **US D612,010 S**
(45) **Date of Patent:** **** Mar. 16, 2010**

(54) **SHOWERHEAD**

(75) Inventors: **Tom Schoenherr**, Stuttgart (DE);
Fabian Kollmann, Stuttgart (DE);
Marco Flaig, Stuttgart (DE)

(73) Assignee: **Hansgrohe AG**, Schiltach (DE)

(**) Term: **14 Years**

(21) Appl. No.: **29/340,011**

(22) Filed: **Jul. 13, 2009**

(30) **Foreign Application Priority Data**

Jan. 20, 2009 (EP) 001072938-0009

(51) **LOC (9) Cl.** **23-01**

(52) **U.S. Cl.** **D23/213**

(58) **Field of Classification Search** D23/213,
D23/223, 226, 229-230; 239/525-527, 282-283,
239/460

See application file for complete search history.

(56) **References Cited**

U.S. PATENT DOCUMENTS

D496,987 S * 10/2004 Glunk D23/213
D523,925 S * 6/2006 Hoernig D23/213

D531,260 S * 10/2006 Luo et al. D23/213
D538,391 S * 3/2007 Mazzola D23/213
D540,427 S * 4/2007 Bouroullec et al. D23/213
D558,301 S * 12/2007 Hoernig D23/213
D564,071 S * 3/2008 Tsai D23/229

* cited by examiner

Primary Examiner—Robin V Webster

(74) *Attorney, Agent, or Firm*—Nirav D. Parikh; Edgar A. Zarins

(57) **CLAIM**

The ornamental design for a showerhead, as shown and described.

DESCRIPTION

FIG. 1 is a perspective view of a showerhead showing our design;

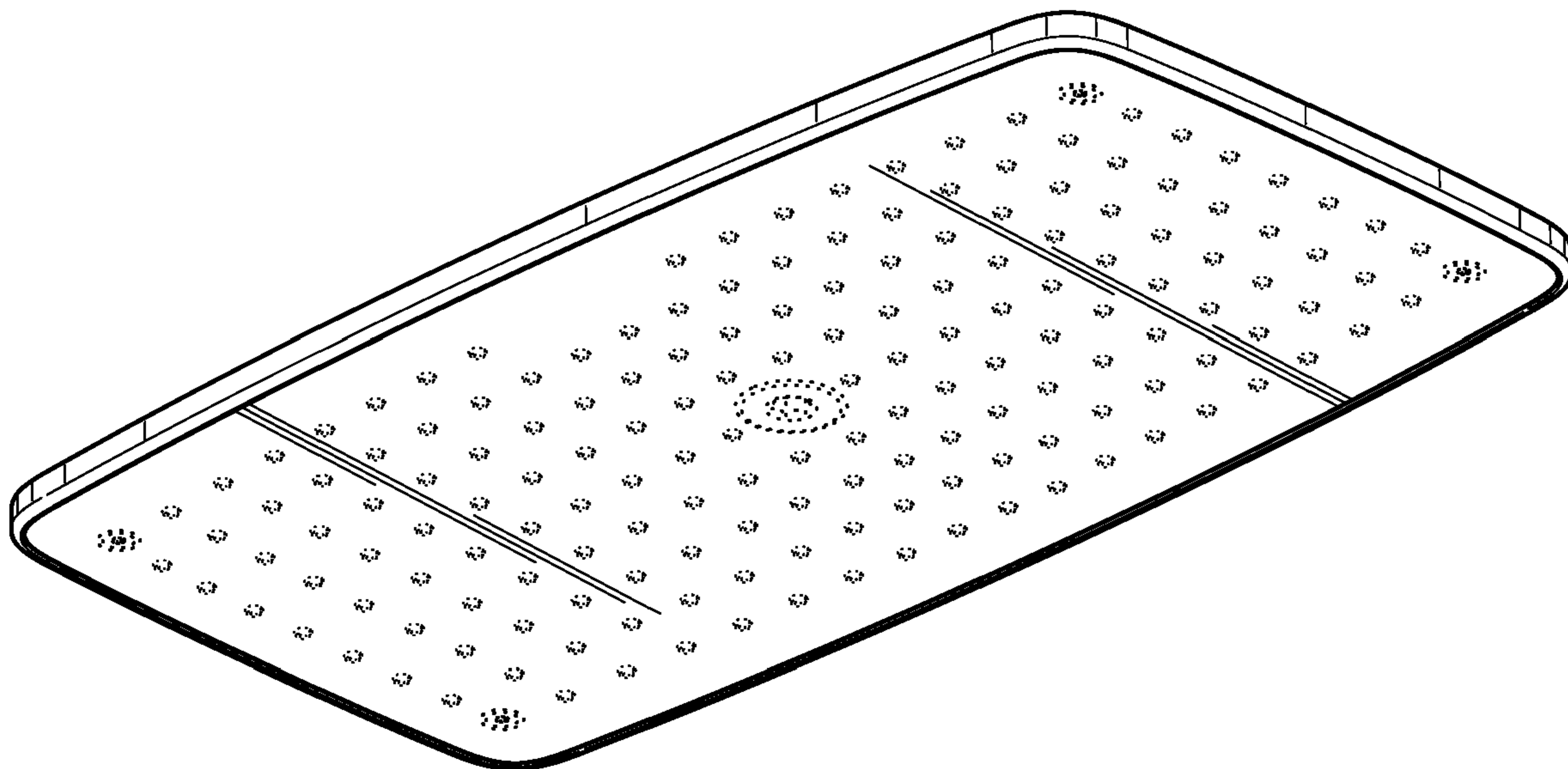
FIG. 2 is a bottom plan view thereof;

FIG. 3 is a front elevational view thereof; the rear elevational view being a mirror image thereof; and,

FIG. 4 is a left side elevational view thereof; the right side elevational view being a mirror image thereof.

The broken lines in the drawings represent unclaimed portions of the design and form no part thereof.

1 Claim, 4 Drawing Sheets



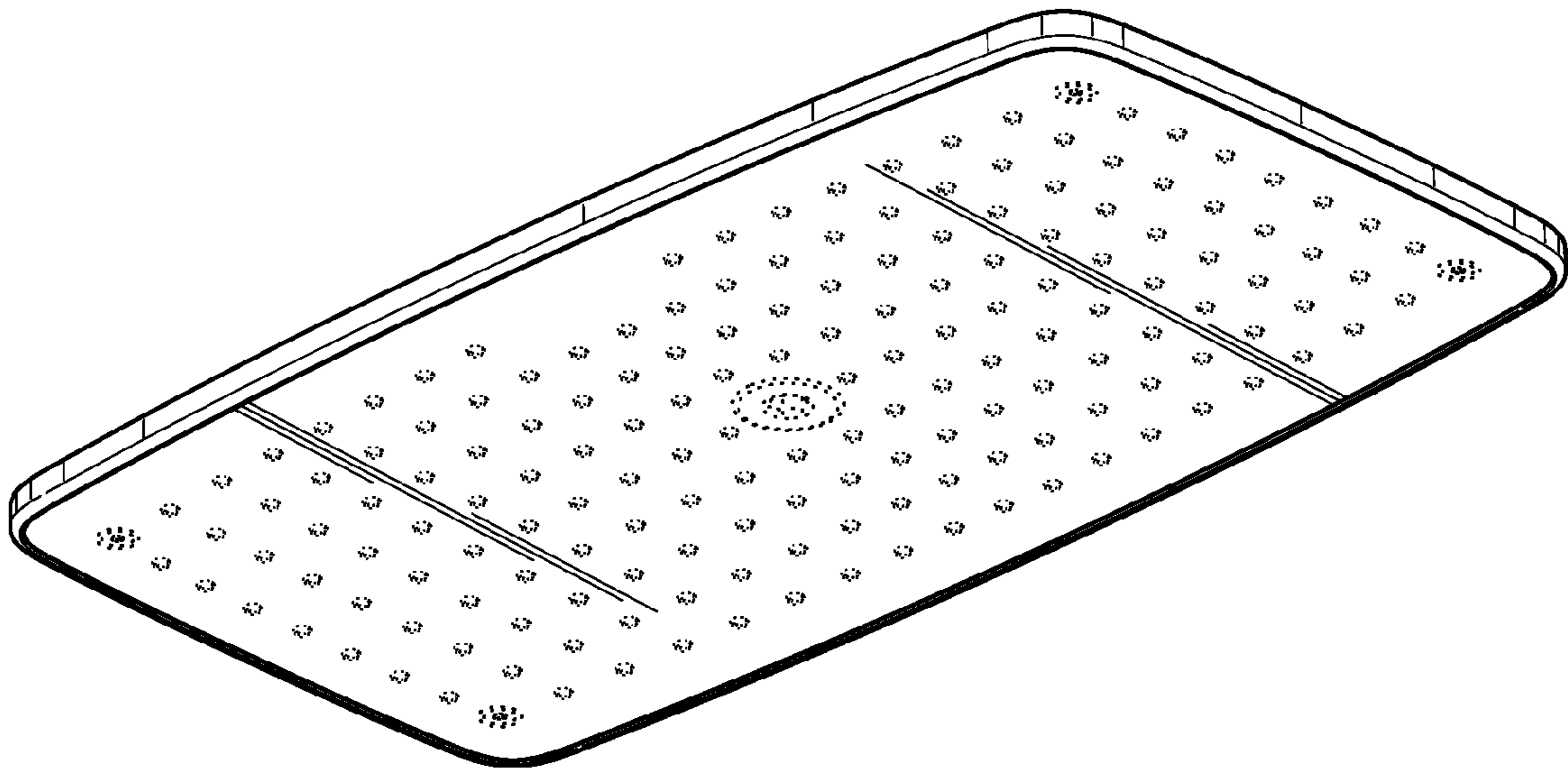


FIG. 1

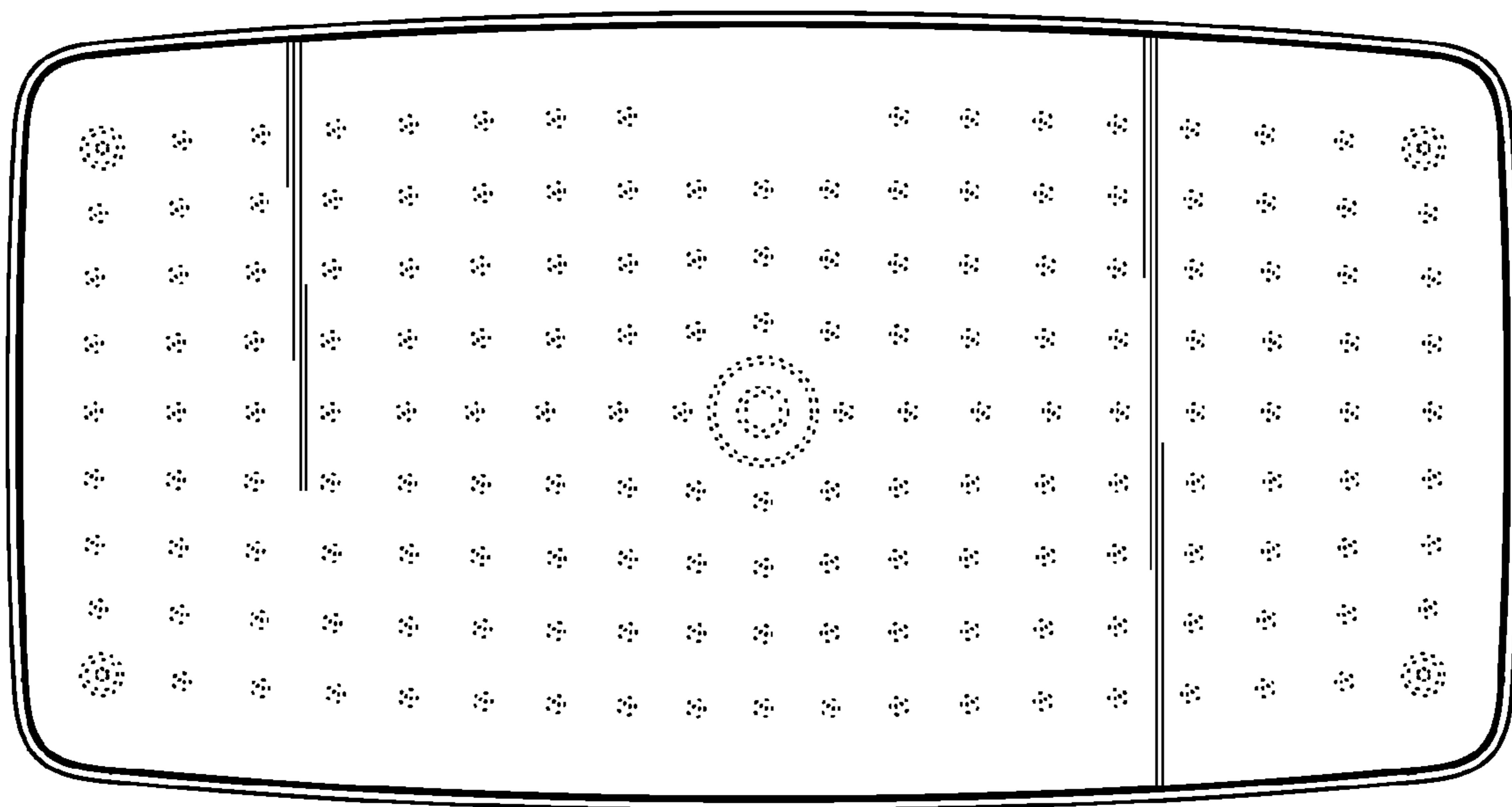


FIG. 2

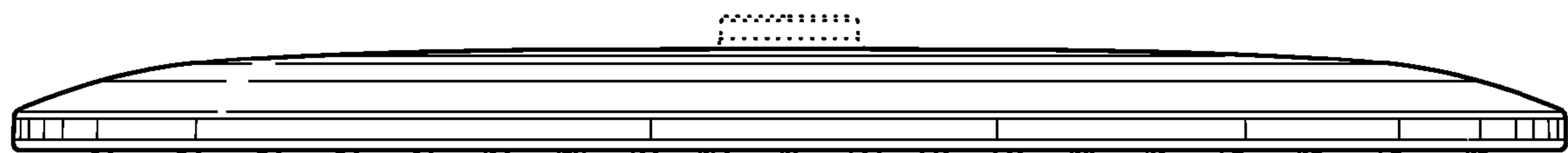


FIG. 3

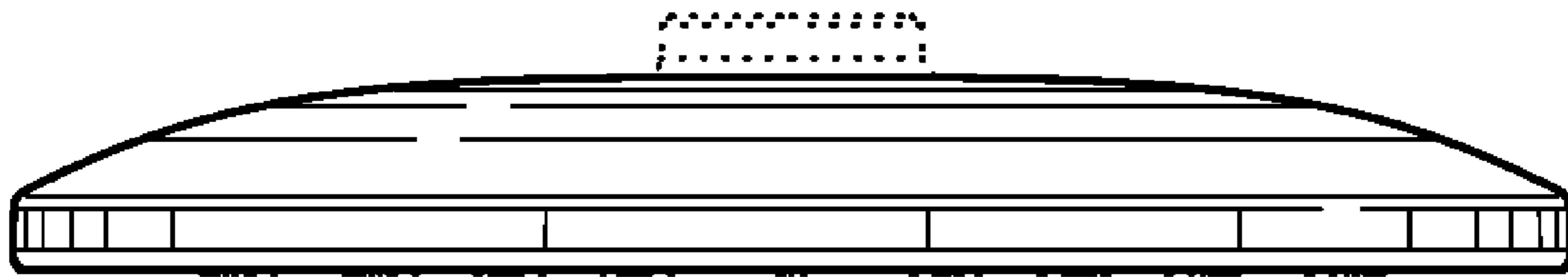


FIG. 4