



US00D612009S

(12) **United States Design Patent**  
**Eilmus**

(10) **Patent No.:** **US D612,009 S**  
(45) **Date of Patent:** **\*\* Mar. 16, 2010**

(54) **SHOWERHEAD**

(75) Inventor: **Niels J. Eilmus**, Sheboygan, WI (US)

(73) Assignee: **Kohler Co.**, Kohler, WI (US)

(\*\*) Term: **14 Years**

(21) Appl. No.: **29/336,326**

(22) Filed: **Apr. 30, 2009**

(51) **LOC (9) Cl.** ..... **23-01**

(52) **U.S. Cl.** ..... **D23/213**

(58) **Field of Classification Search** ..... D23/213,  
D23/229-230; 239/460-462, 282-283; 4/615  
See application file for complete search history.

(56) **References Cited**

**U.S. PATENT DOCUMENTS**

D253,245 S	*	10/1979	Allenbaugh, Jr.	.....	D23/213
D487,301 S	*	3/2004	Haug et al.	.....	D23/229
D524,405 S	*	7/2006	Hoernig	.....	D23/213
D552,215 S	*	10/2007	Huang	.....	D23/229
D559,954 S	*	1/2008	Bickler et al.	.....	D23/229
D562,938 S	*	2/2008	Blessing	.....	D23/213

**OTHER PUBLICATIONS**

HansGrohe. "Bodyvette" Adjustable Spray Angle. Model No. 28466-001, -621, -801, -821, -831, -931. HansGrohe Catalog. KBIS 2000.

Kohler Co. "MasterShower Custom Shower Components". Bodyspray Selection. Kohler Co. catalog. "The Bold Look of Kohler". Copyright 2004 Kohler Co.

\* cited by examiner

*Primary Examiner*—Robin V Webster

(74) *Attorney, Agent, or Firm*—Quarles & Brady LLP

(57) **CLAIM**

The ornamental design for a showerhead, as shown and described.

**DESCRIPTION**

FIG. 1 is a left, top, front perspective view of a showerhead embodying my new design;

FIG. 2 is a front elevational view thereof;

FIG. 3 is a top plan view thereof, the bottom plan view thereof being a mirror image of the top shown;

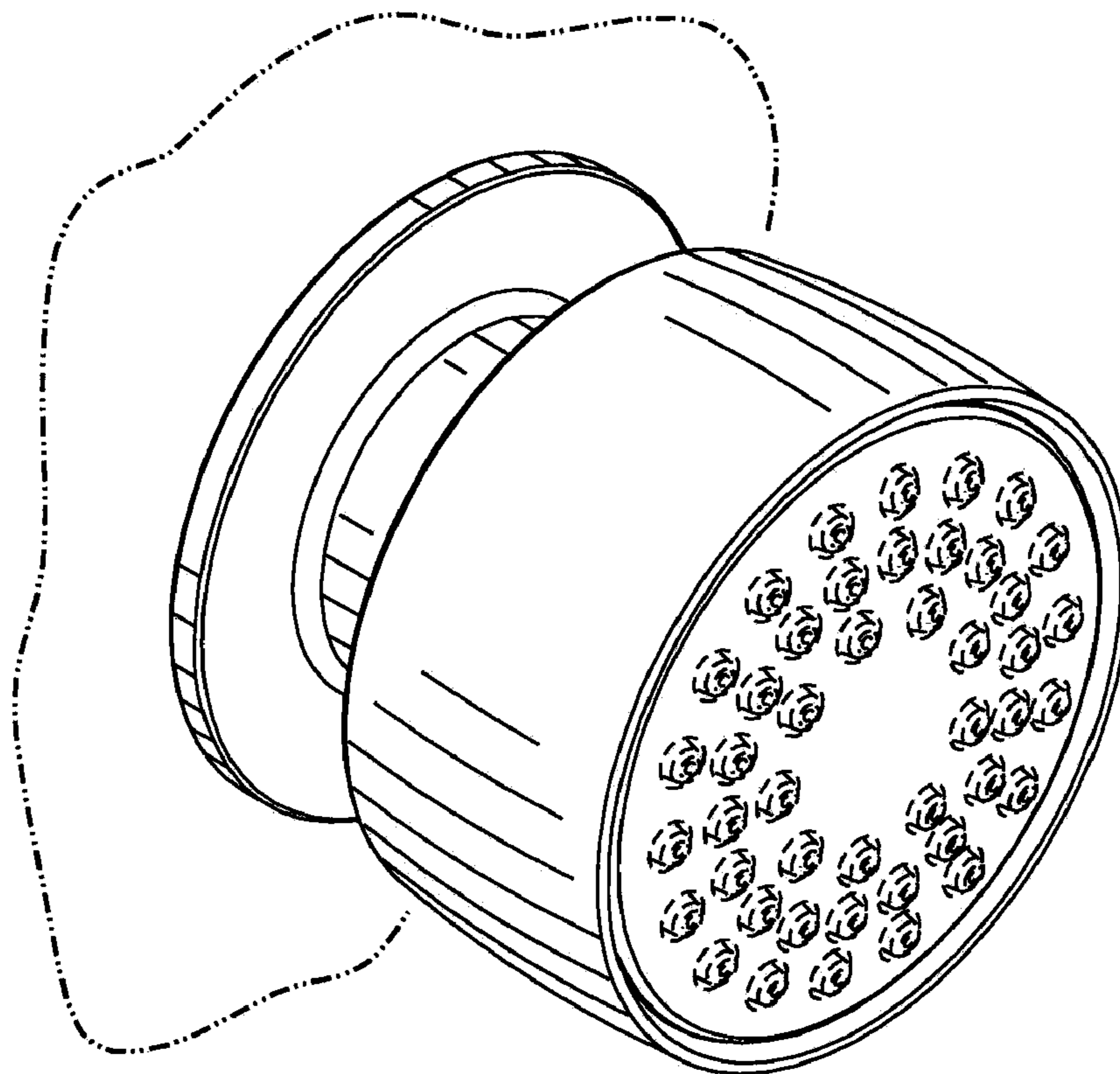
FIG. 4 is a left side elevational view thereof, the right side elevational view thereof being a mirror image of the left side shown; and,

FIG. 5 is a rear elevational view thereof.

The broken line representations are for the purpose of illustration only, and form no part of the claimed design.

In a preferred embodiment, the nature of this product is as a plumbing fitting in the form of a showerhead primary useful for washing body parts.

**1 Claim, 3 Drawing Sheets**



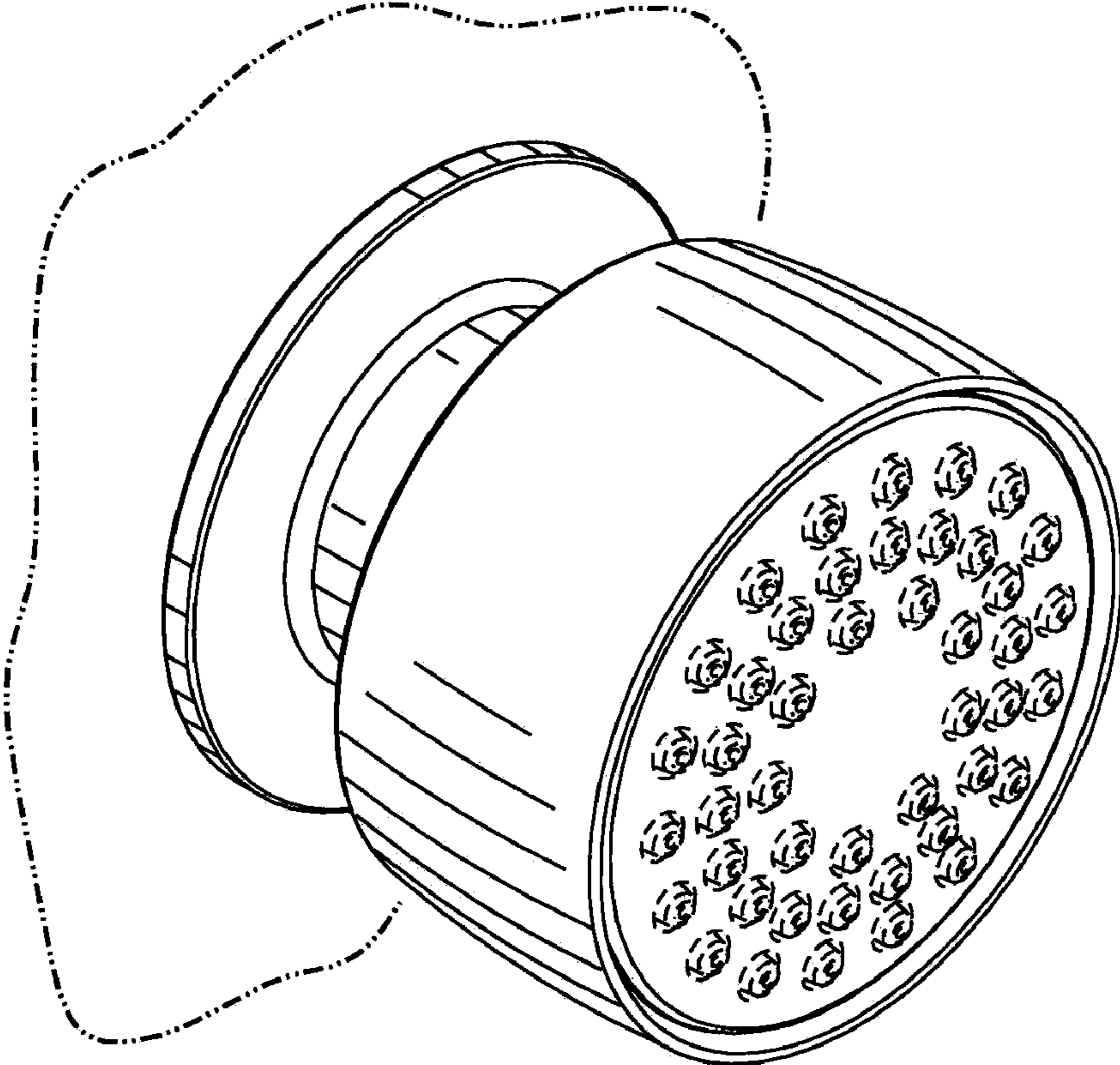


FIG. 1

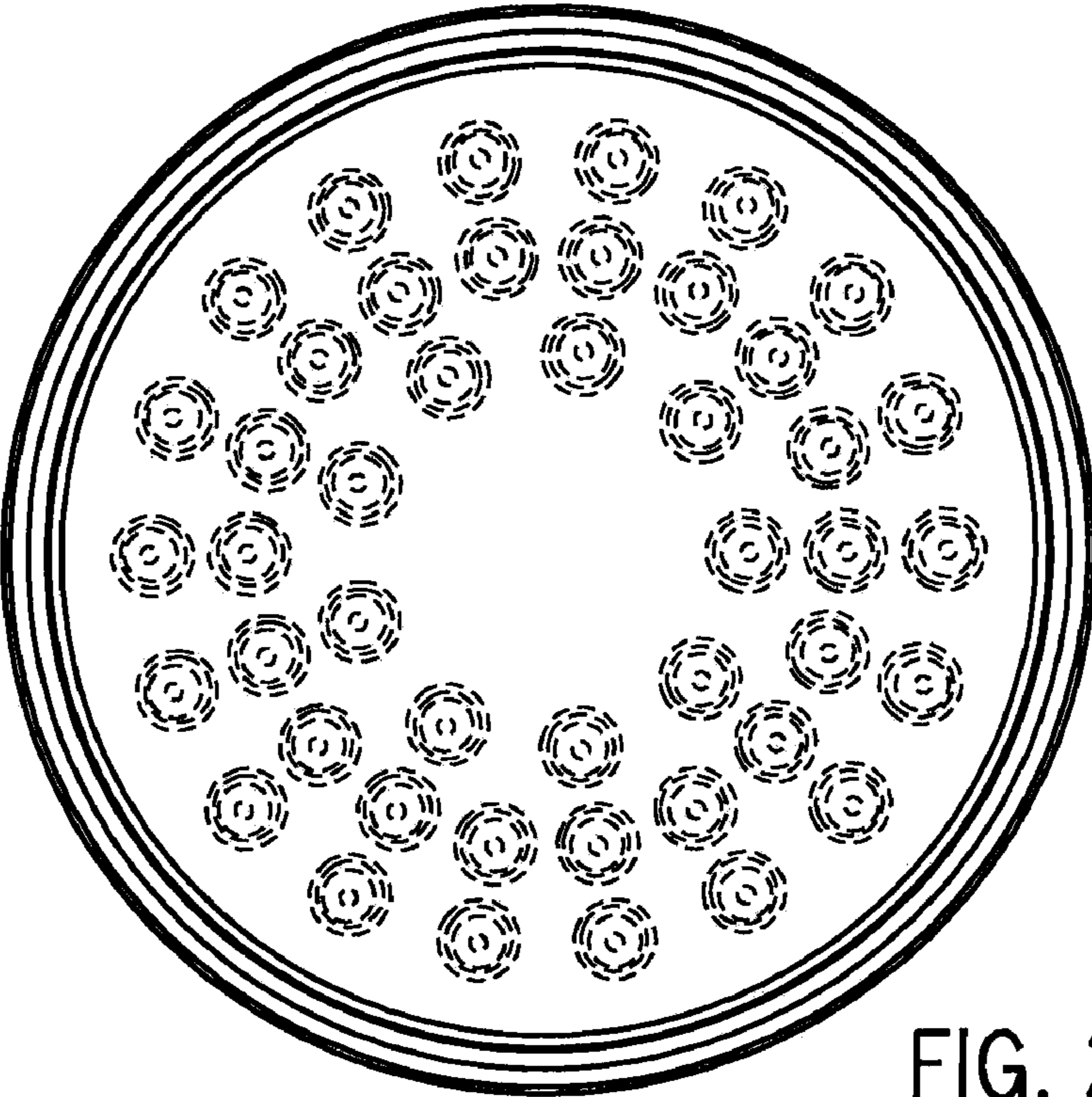


FIG. 2

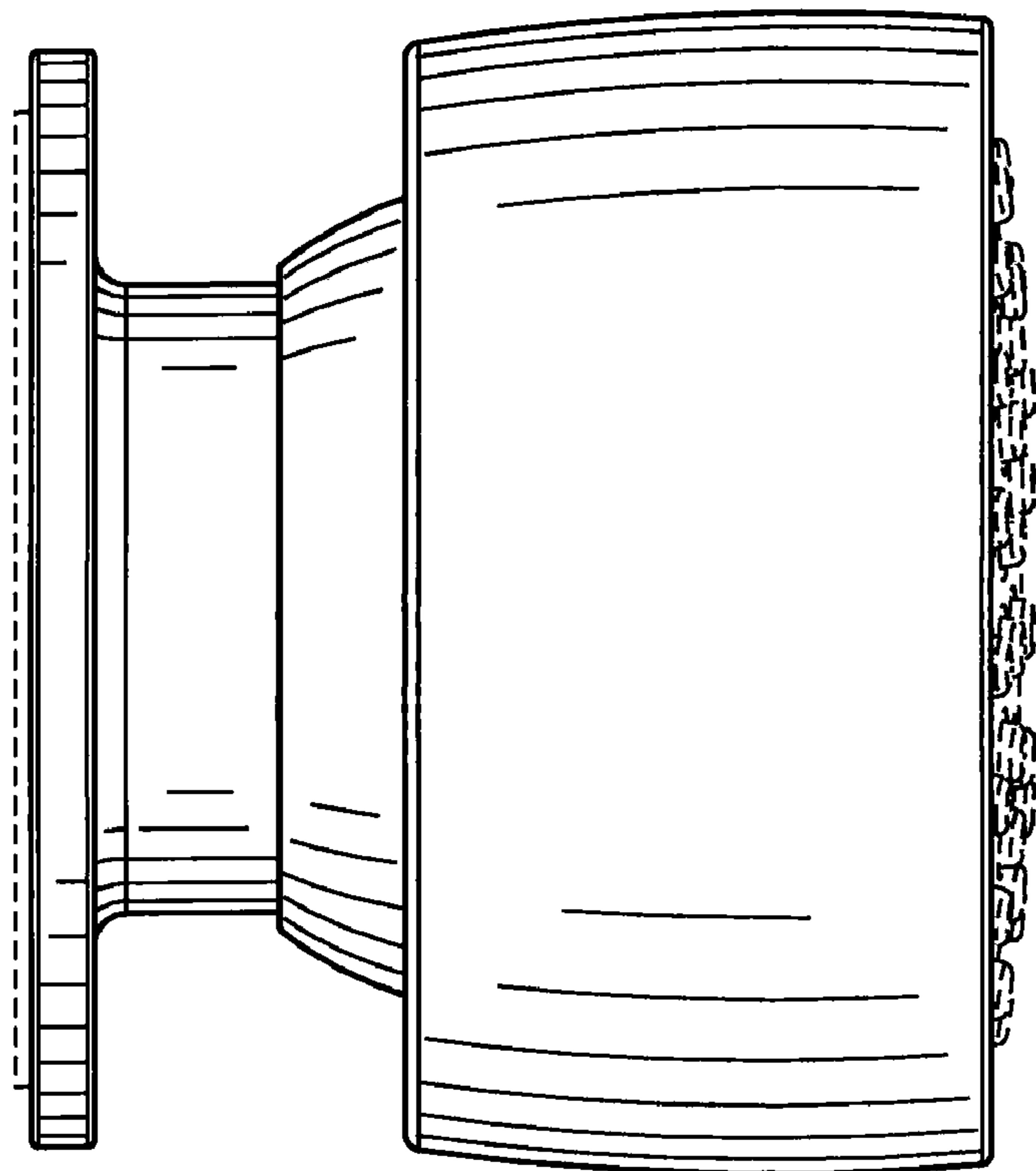


FIG. 3

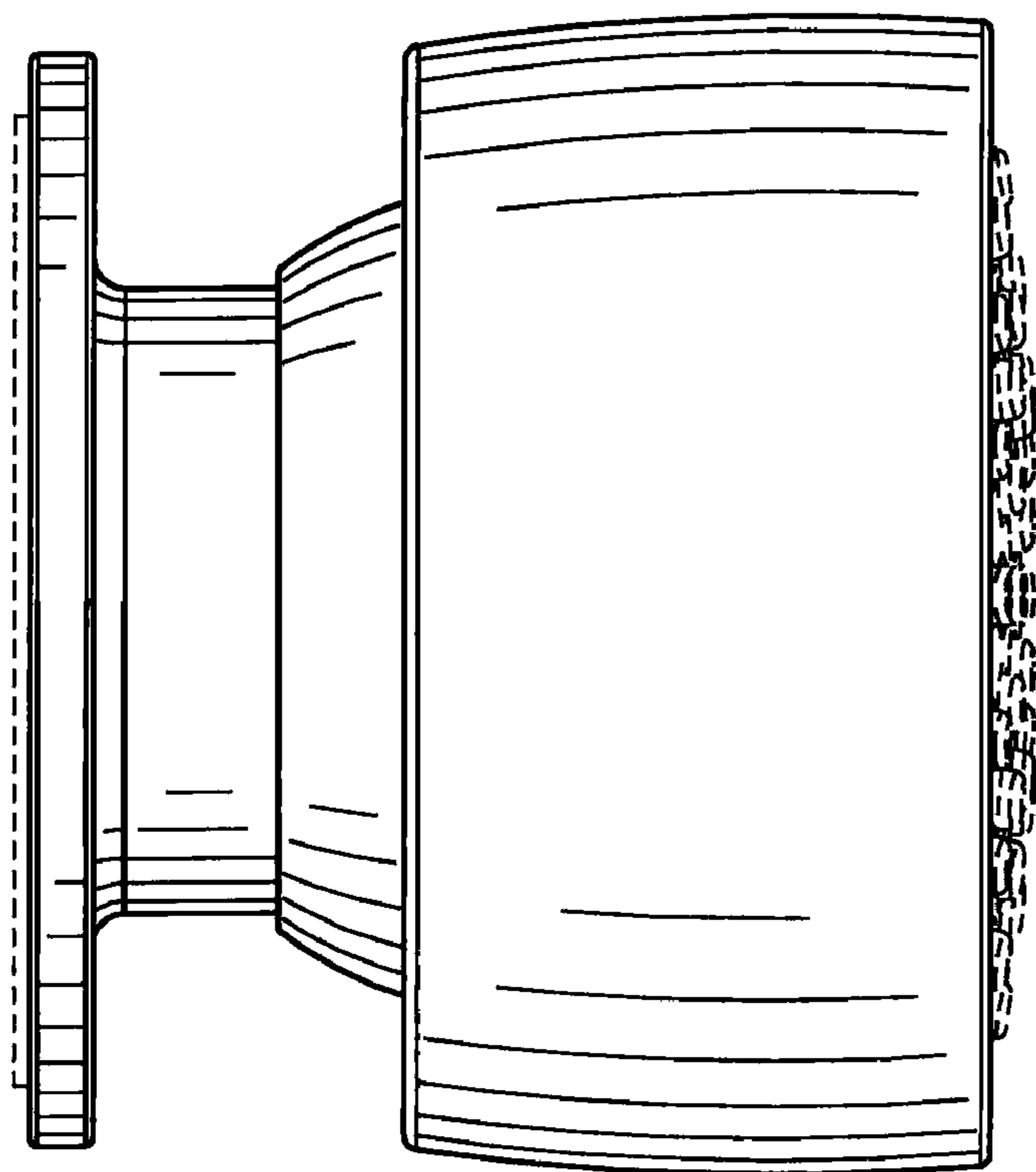


FIG. 4

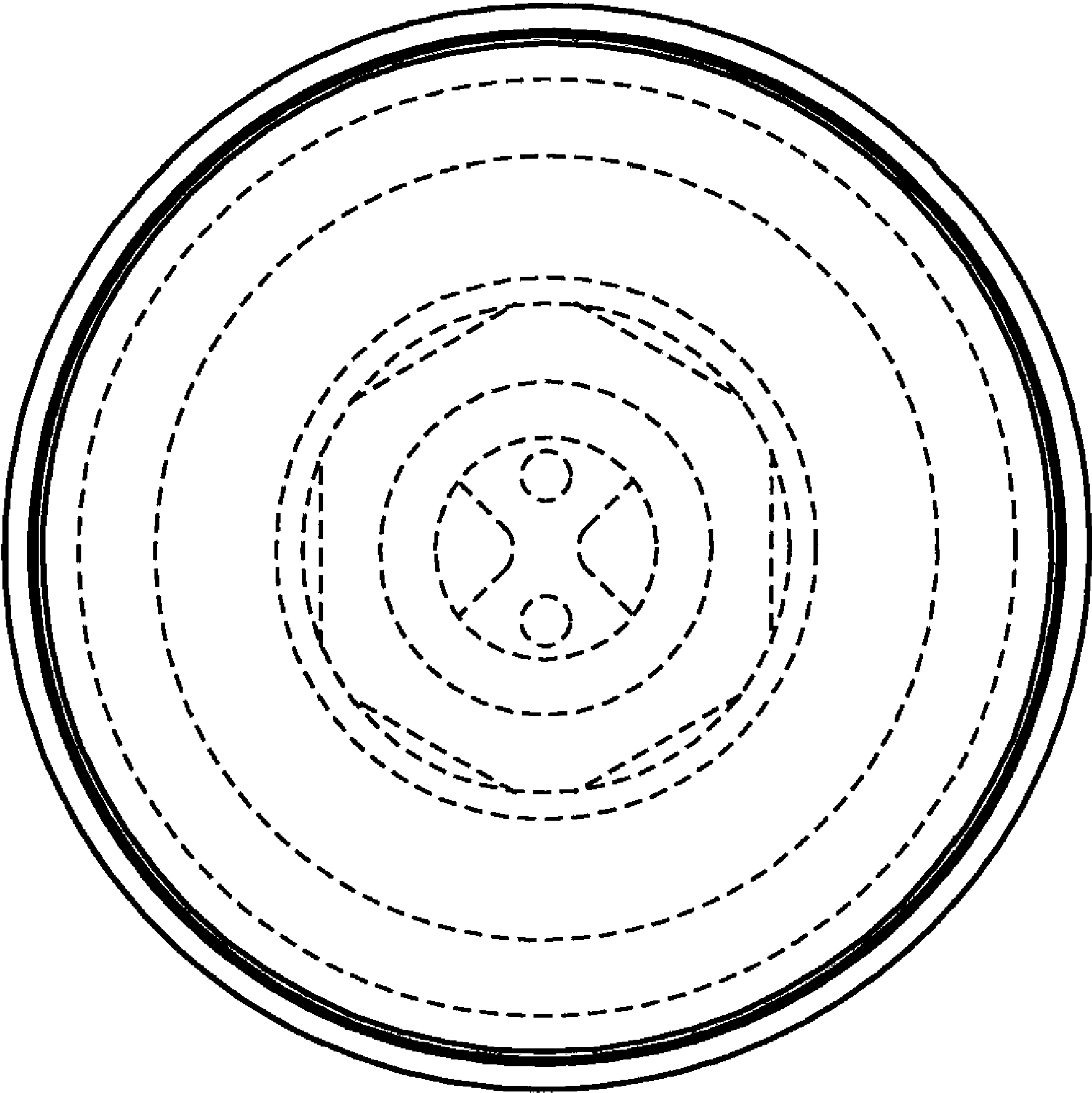


FIG. 5