



US00D612007S

(12) **United States Design Patent**
Brockdorff

(10) **Patent No.:** **US D612,007 S**

(45) **Date of Patent:** **** Mar. 16, 2010**

(54) **BACTERIAL CARRIER FOR WATER PURIFICATION**

D465,257 S * 11/2002 Van Olst et al. D23/207
6,889,963 B2 * 5/2005 Niknafs et al. 261/94

(76) Inventor: **Knud Peter Brockdorff**, Stenkærvej 9C,
DK-8752 Østbirk (DK)

* cited by examiner

Primary Examiner—Robin V Webster
(74) *Attorney, Agent, or Firm*—Cantor Colburn LLP

(**) Term: **14 Years**

(21) Appl. No.: **29/325,887**

(57) **CLAIM**

(22) Filed: **Oct. 7, 2008**

I claim, the ornamental design for a bacterial carrier for water purification, as shown and described.

(51) **LOC (9) Cl.** **23-01**

DESCRIPTION

(52) **U.S. Cl.** **D23/207**

(58) **Field of Classification Search** D23/207,
D23/209; 261/DIG. 72, 94; 210/616, 150
See application file for complete search history.

FIG. 1 is a side elevation view of a bacterial carrier for water purification, showing my new design, the opposite side being a mirror image thereof;

FIG. 2 is a top plan view thereof, the opposite side being a mirror image thereof; and,

FIG. 3 is a perspective view thereof.

(56) **References Cited**

U.S. PATENT DOCUMENTS

5,779,886 A * 7/1998 Couture 210/150

1 Claim, 1 Drawing Sheet

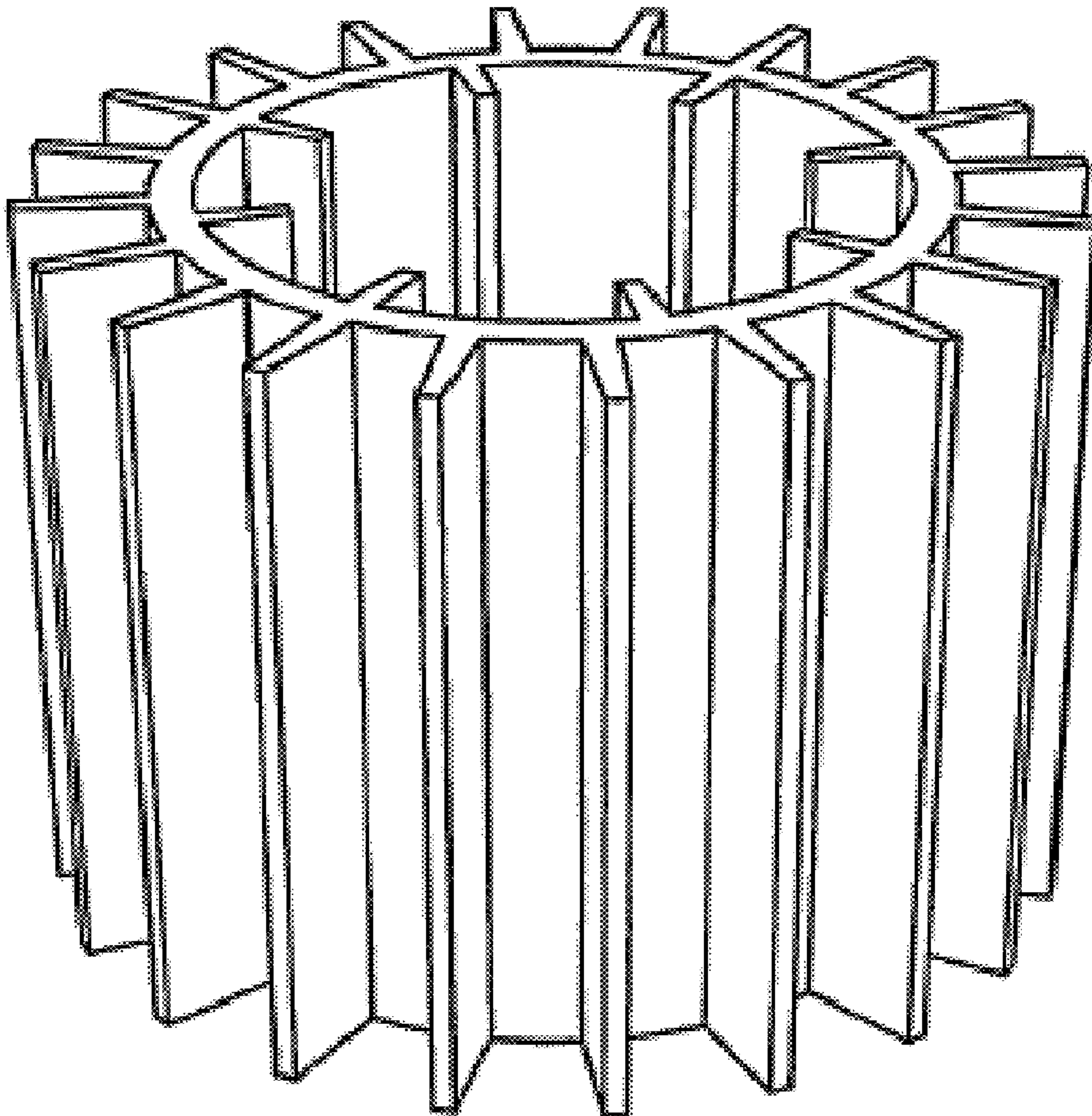




FIGURE 1

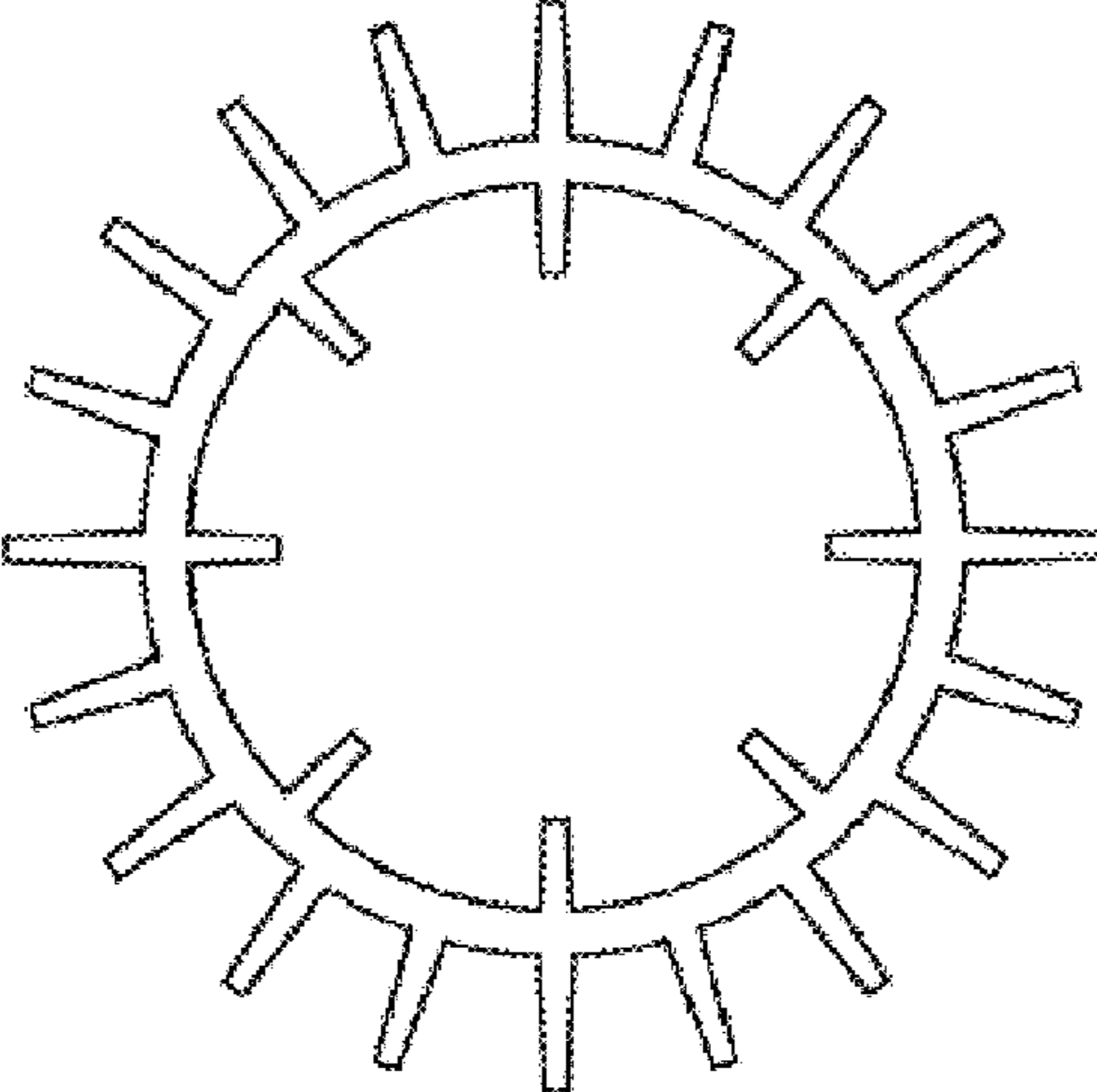


FIGURE 2

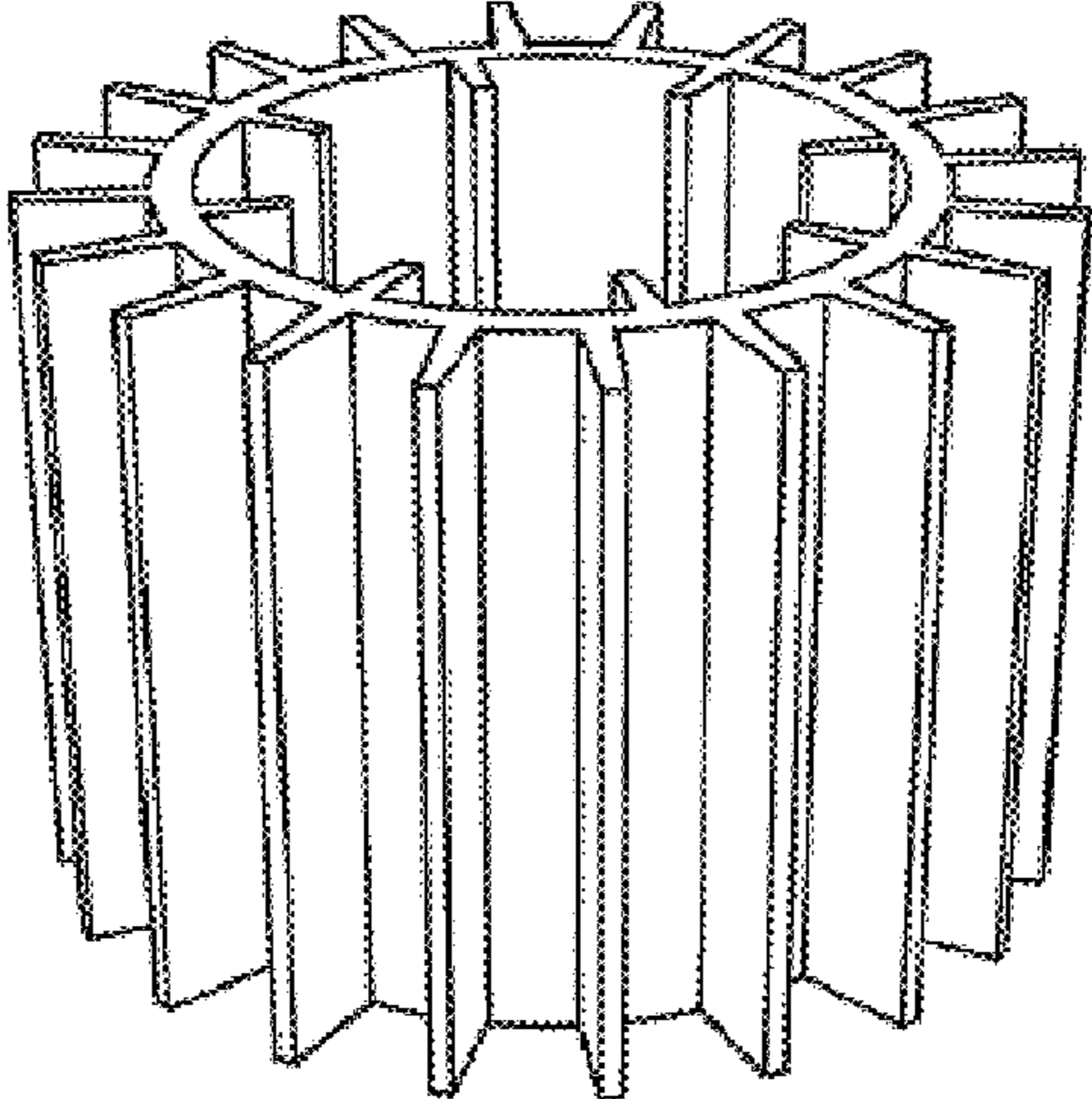


FIGURE 3