



US00D612006S

(12) **United States Design Patent**
Köhler

(10) **Patent No.:** **US D612,006 S**
(45) **Date of Patent:** **** Mar. 16, 2010**

(54) **SIGHTING DEVICE**

(75) Inventor: **Albrecht Köhler**, Jena (DE)

(73) Assignee: **Analytik Jena AG**, Jena (DE)

(**) Term: **14 Years**

(21) Appl. No.: **29/334,182**

(22) Filed: **Mar. 22, 2009**

(30) **Foreign Application Priority Data**

Sep. 29, 2008 (EM) 001011563-0001

(51) **LOC (9) Cl.** **22-01**

(52) **U.S. Cl.** **D22/109**

(58) **Field of Classification Search** D10/46;
D22/109; 42/111-113, 124, 134, 135; 89/41.19,
89/161, 200-204; 33/227

See application file for complete search history.

(56) **References Cited**

U.S. PATENT DOCUMENTS

2006/0162226 A1* 7/2006 Tai 42/132
2008/0216379 A1* 9/2008 Javorsky 42/115

2009/0172991 A1* 7/2009 Ballard 42/118
2009/0288328 A1* 11/2009 Kiser 42/124

* cited by examiner

Primary Examiner—Antoine D Davis

(74) *Attorney, Agent, or Firm*—Smartpat PLC; Axel Nix

(57) **CLAIM**

The ornamental design for a sighting device, as shown and described.

DESCRIPTION

FIG. 1 is a right side view of a sighting device showing my new design;

FIG. 2 is a top view of the sighting device shown in FIG. 1;

FIG. 3 is a rear view of the sighting device shown in FIG. 1;

FIG. 4 is a front view of the sighting device shown in FIG. 1;

FIG. 5 is a perspective top, front, and left side view of the sighting device shown in FIG. 1; and,

FIG. 6 is a perspective top, rear, and right side view of the sighting device shown in FIG. 1.

1 Claim, 3 Drawing Sheets

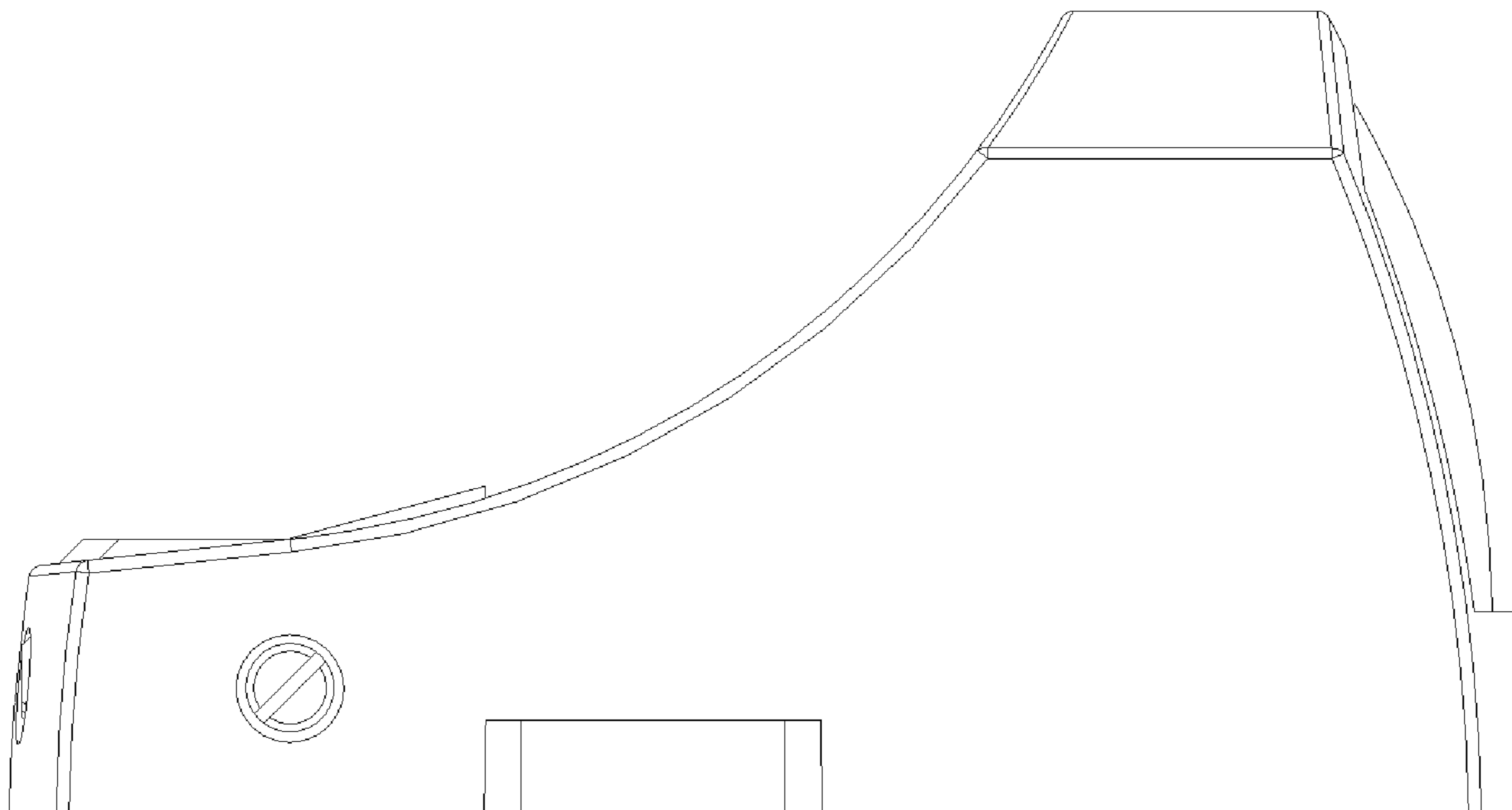


Fig. 1

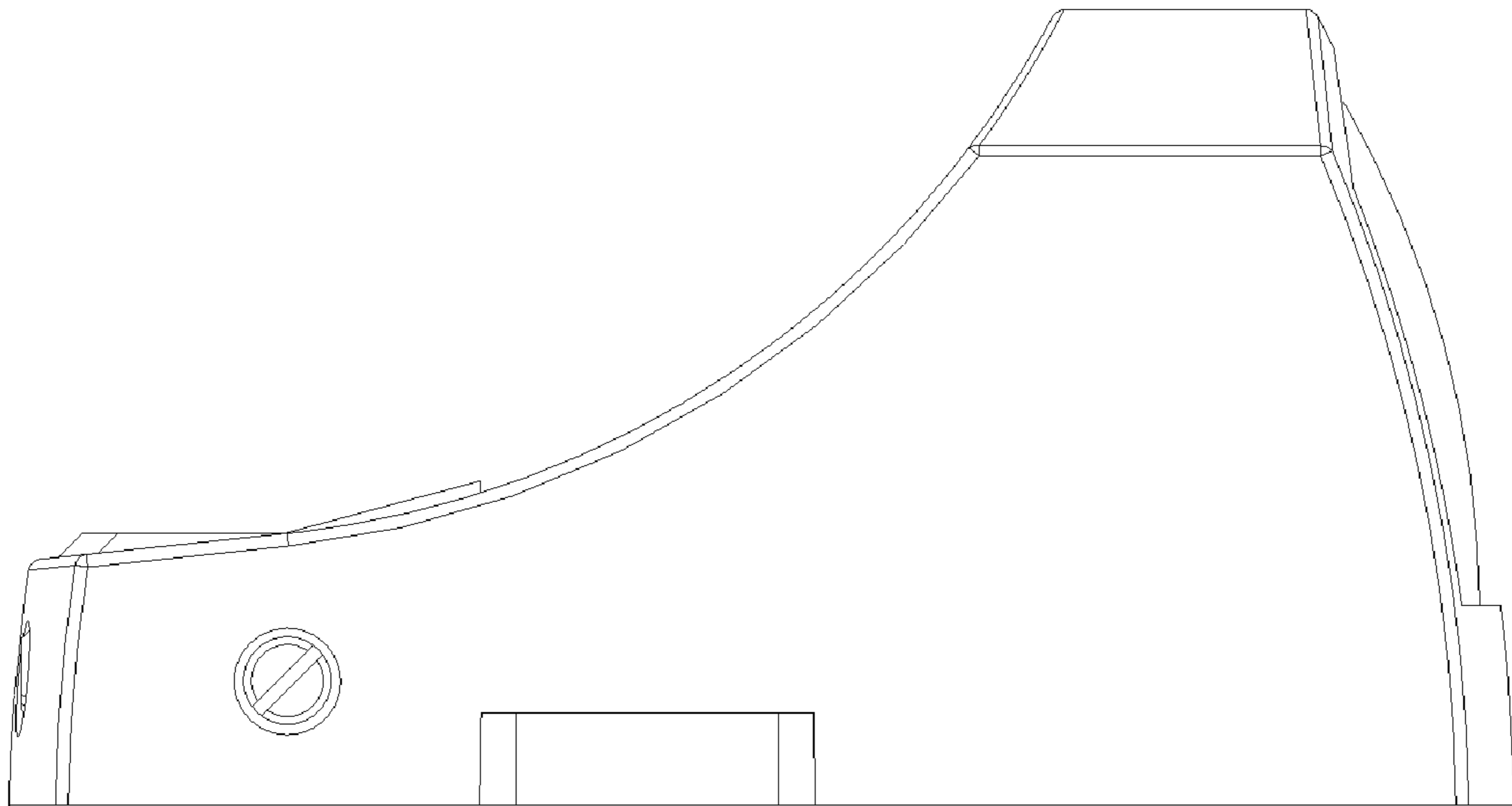


Fig. 2

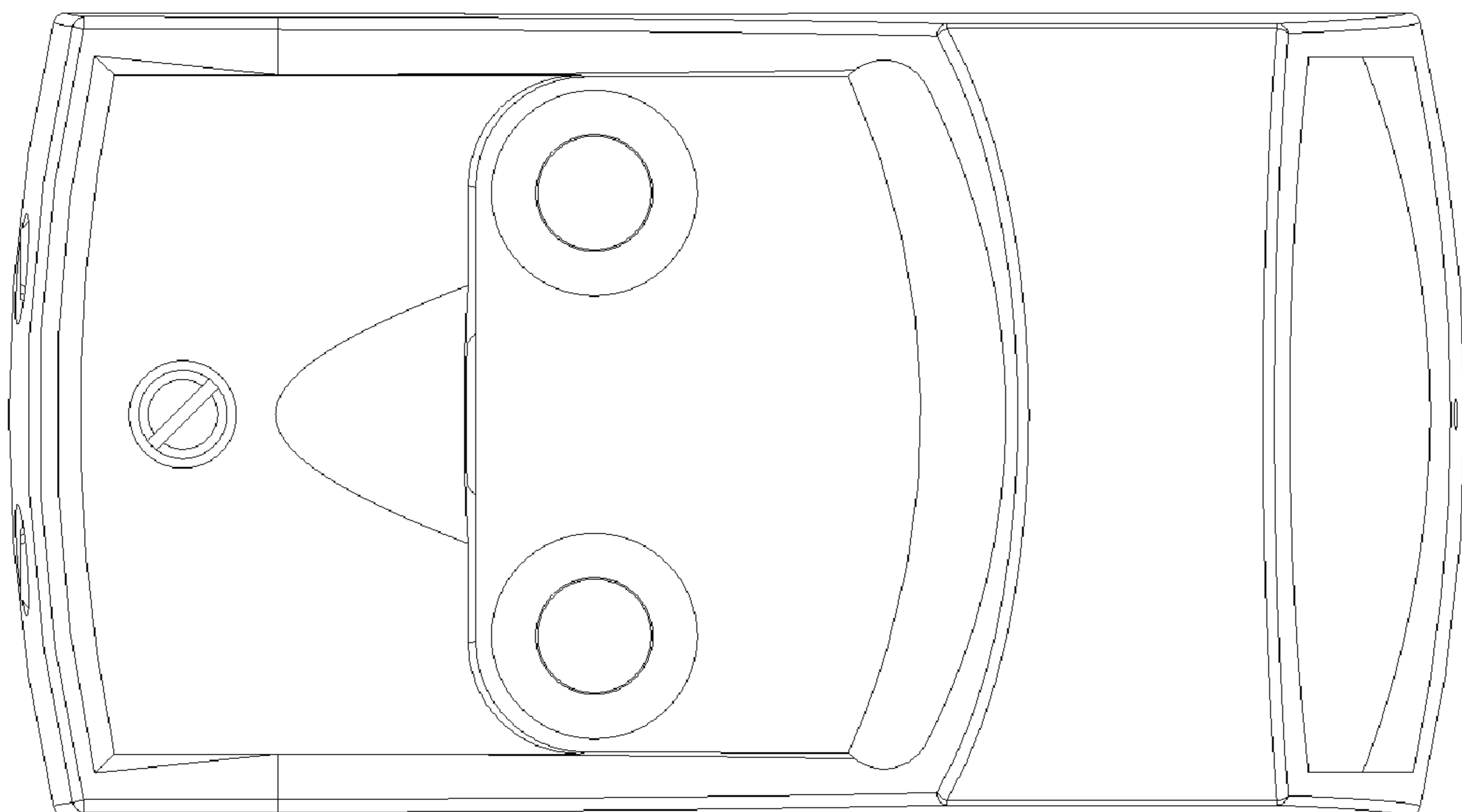


Fig. 3

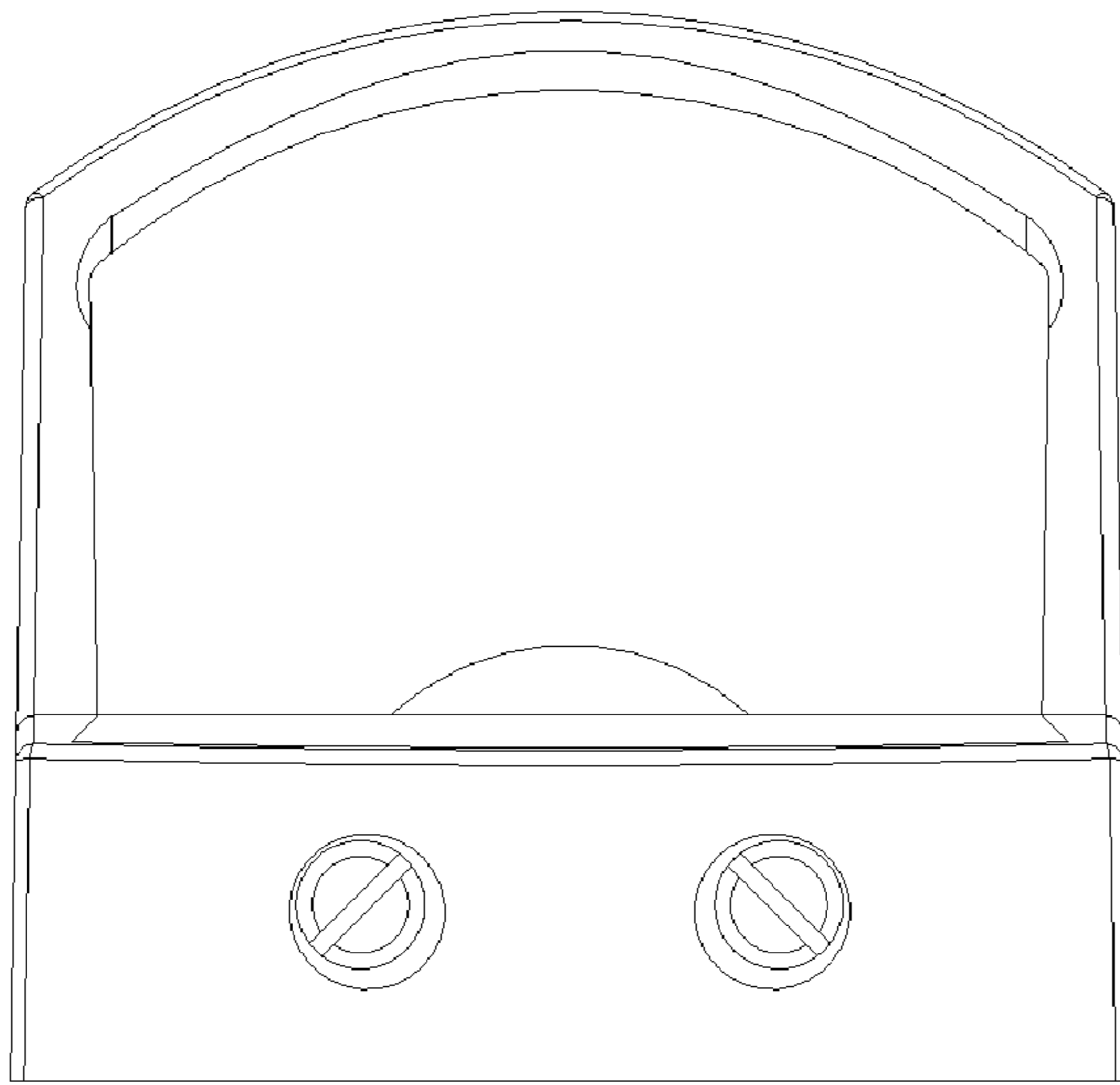


Fig. 4

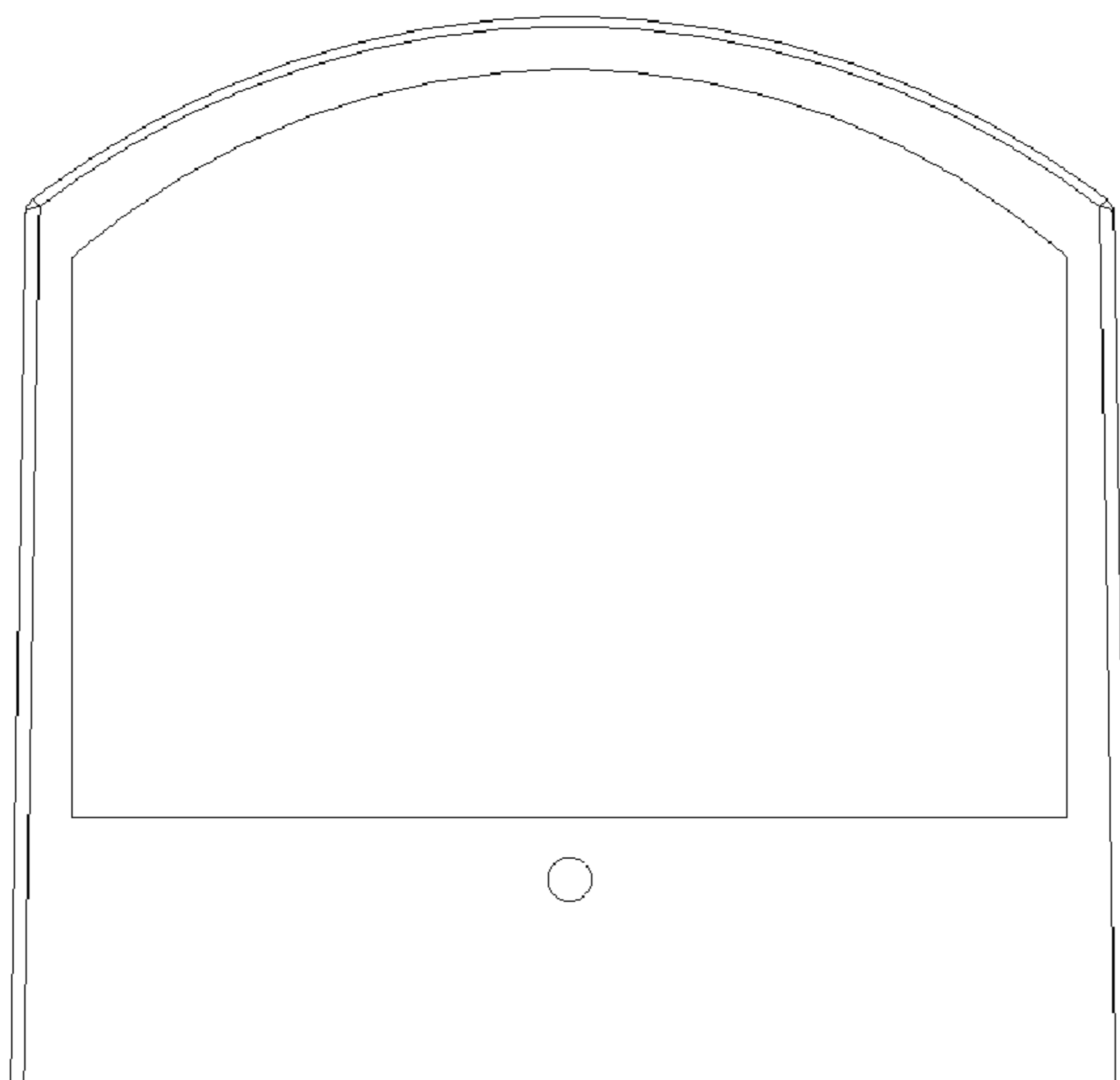


Fig. 5

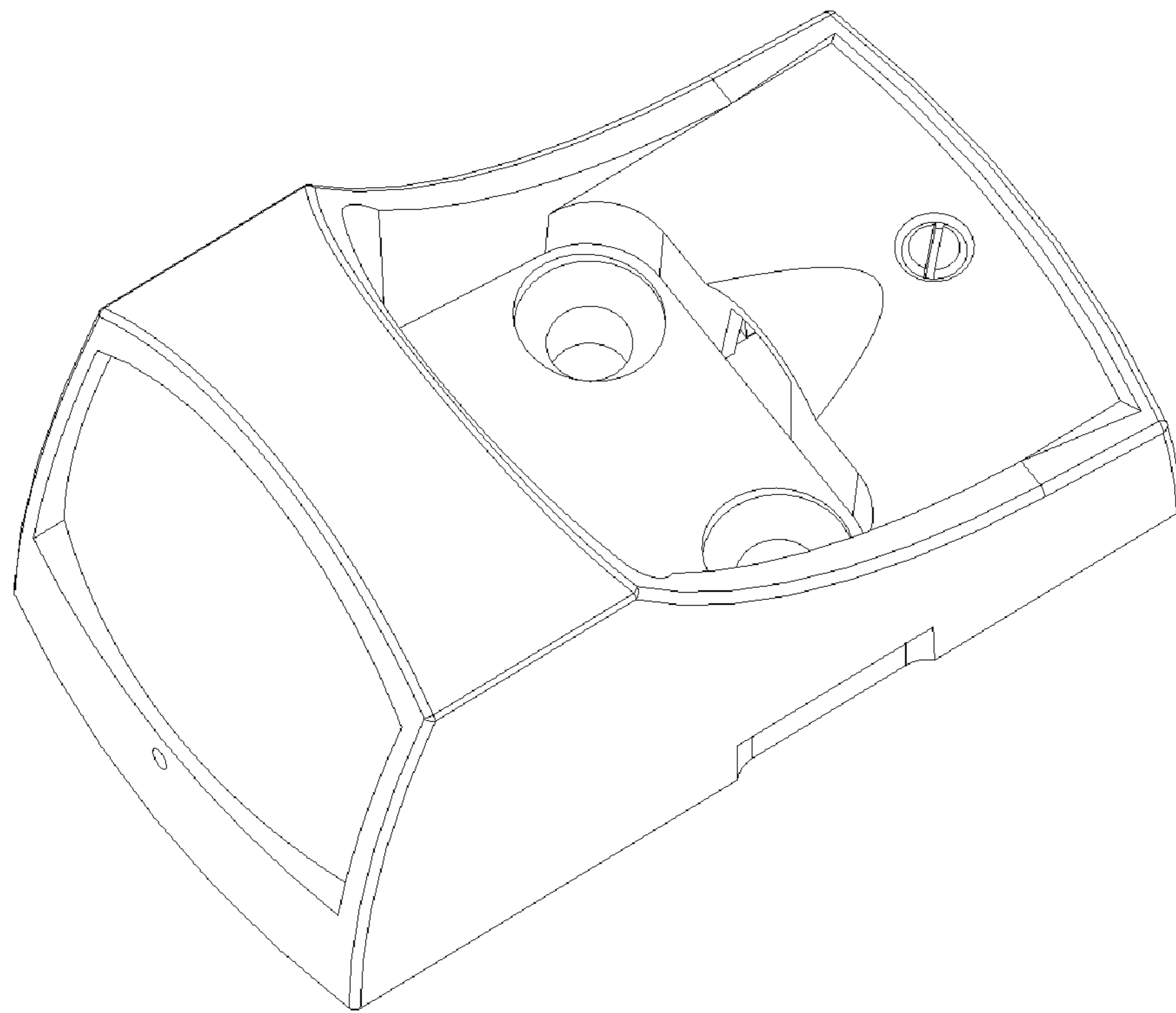


Fig. 6

