



US00D612002S

(12) **United States Design Patent**
Richard

(10) **Patent No.:** **US D612,002 S**
(45) **Date of Patent:** **** Mar. 16, 2010**

(54) **THROWING TARGET**

(76) Inventor: **Christopher Richard**, 11240 Centway
Park Dr. #102, Raleigh, NC (US) 27617

(**) Term: **14 Years**

(21) Appl. No.: **29/341,427**

(22) Filed: **Aug. 5, 2009**

(51) **LOC (9) Cl.** **21-02**

(52) **U.S. Cl.** **D21/699; D21/780**

(58) **Field of Classification Search** D21/302,
D21/305-307, 334, 355, 356, 397, 698, 699,
D21/705, 780; D6/582, 583, 588, 592; D19/59,
D19/62; 473/415-504; 273/348-410
See application file for complete search history.

D350,569 S	9/1994	Boteler	
5,348,291 A	9/1994	Scully	
D352,326 S *	11/1994	Hsiao	D21/790
D354,992 S *	1/1995	Hinsperger	D21/705
5,419,549 A *	5/1995	Galloway et al.	473/431
5,433,434 A	7/1995	Helmetsie	
5,439,211 A	8/1995	Drabowsky	
D375,528 S	11/1996	Raines et al.	
5,573,240 A	11/1996	Humboldt	
5,803,842 A	9/1998	Ross	
6,155,936 A	12/2000	Dorr	
6,878,078 B2	4/2005	Swanson	
7,179,179 B2	2/2007	McDaniel	

(56) **References Cited**

U.S. PATENT DOCUMENTS

1,592,005 A	7/1926	Rovane	
1,652,062 A	12/1927	Stauffer	
2,056,095 A *	9/1936	Cookson	273/368
2,059,365 A	11/1936	King	
2,254,986 A	9/1941	Ziel	
D139,807 S *	12/1944	Pease	D21/307
2,695,173 A *	11/1954	Sterne	273/376
2,873,969 A	2/1959	Ziel	
3,583,703 A	6/1971	Brown	
3,810,616 A	5/1974	Murphy	
3,997,158 A	12/1976	Britton	
D249,078 S *	8/1978	Gutke	D21/302
4,254,952 A	3/1981	Playter, Jr.	
4,497,485 A	2/1985	Macosko	
4,563,005 A	1/1986	Hand et al.	
4,629,188 A	12/1986	Mahieu	
4,643,423 A	2/1987	Wright	
4,781,376 A	11/1988	Barnes, Sr.	
4,872,674 A	10/1989	Deal	
4,930,774 A	6/1990	Butcher	
5,005,842 A *	4/1991	Bauer	273/408
5,046,729 A	9/1991	Yancey	
5,064,194 A	11/1991	Bixler et al.	
D330,920 S	11/1992	Schaefer et al.	
D331,426 S	12/1992	Riffle et al.	

(Continued)

Primary Examiner—Catherine Tuttle
(74) *Attorney, Agent, or Firm*—The Compton Law Firm;
Scott D. Compton

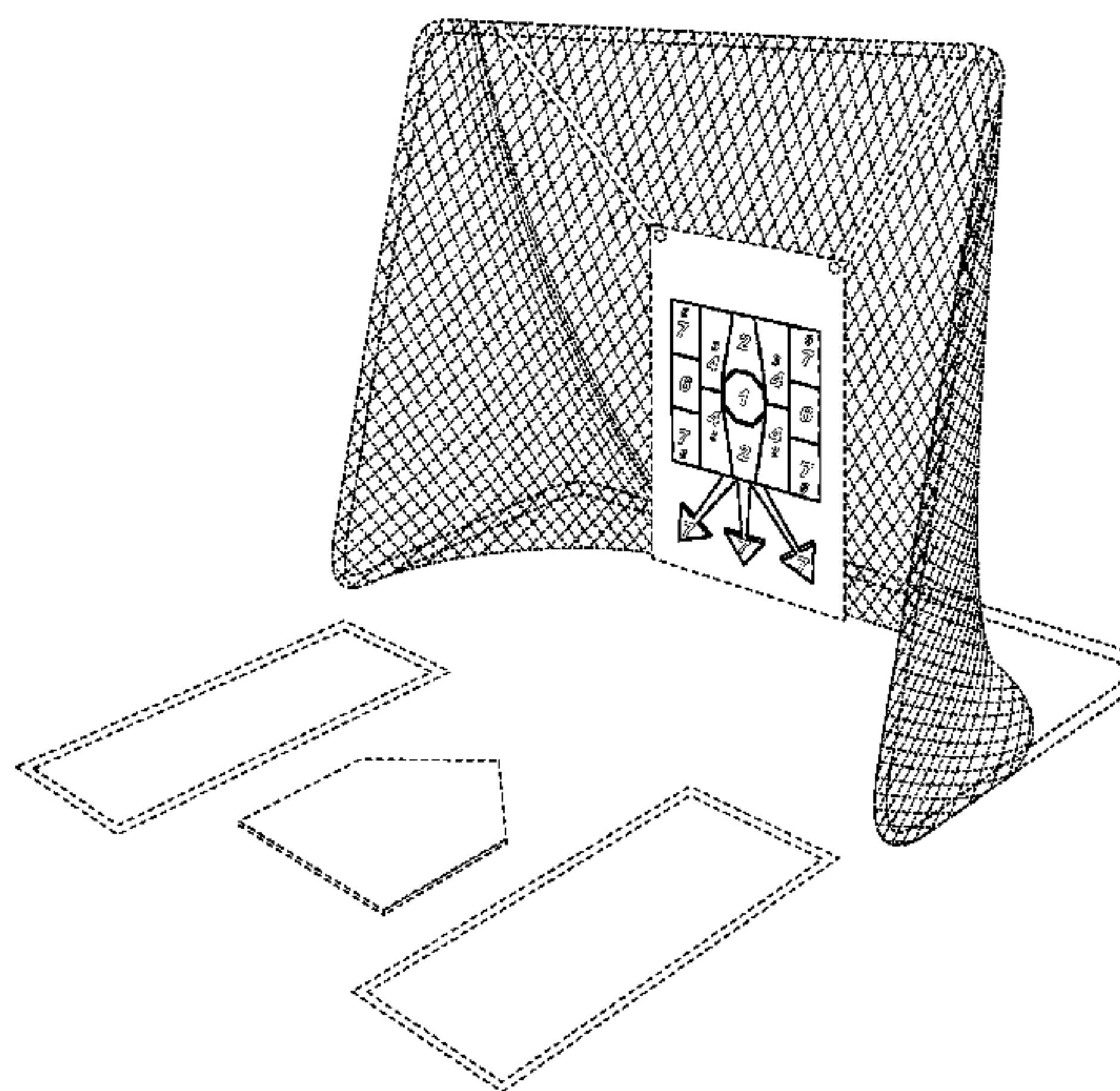
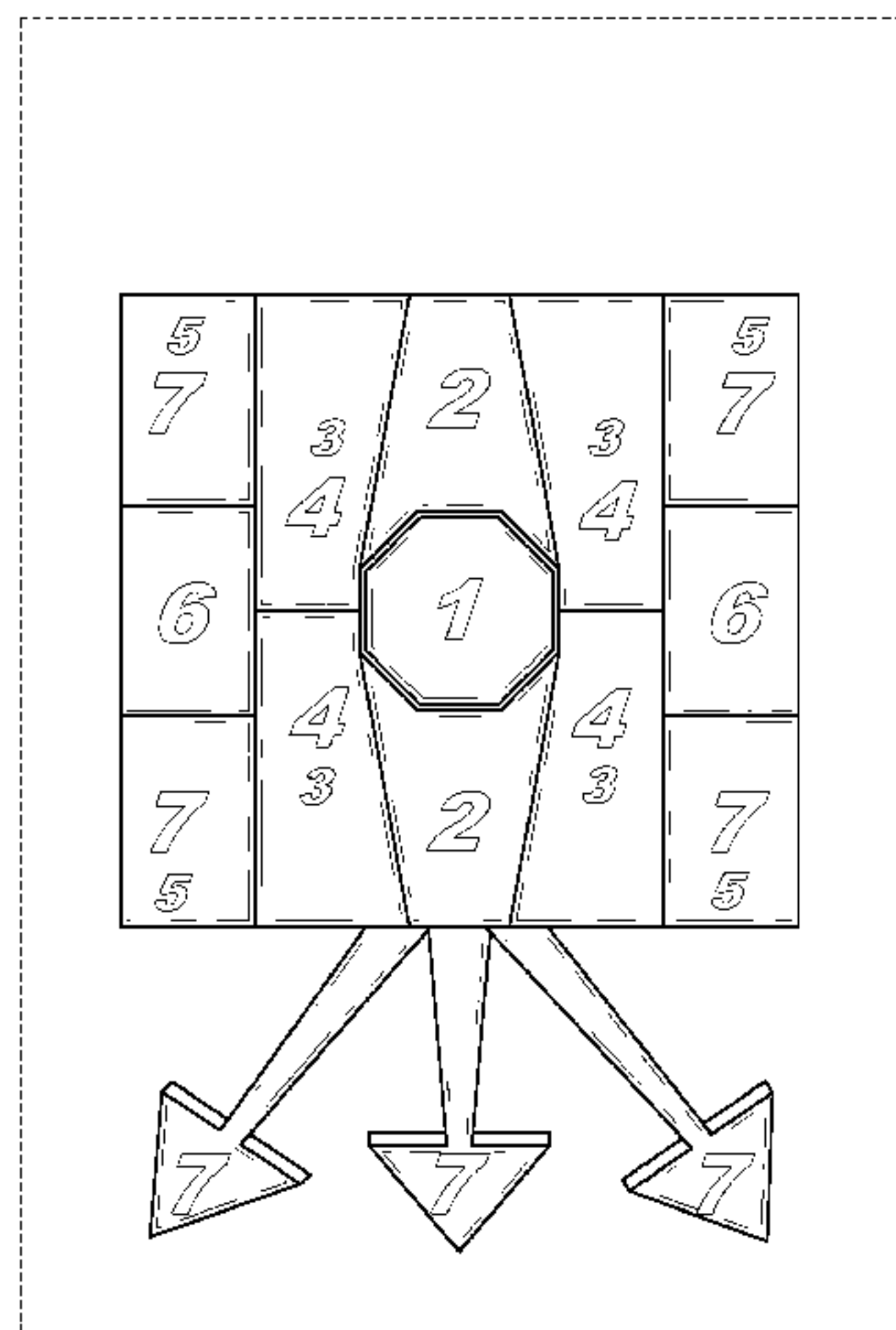
(57) **CLAIM**

The ornamental design for a throwing target, as shown and described.

DESCRIPTION

FIG. 1 is a front view of a throwing target showing my new design in association with a medium; and,
FIG. 2 is a top front perspective view showing the throwing target in association with additional environmental structure.
The broken line showing of the medium is for illustrative purposes only and forms no part of the claimed design. The broken lines showing the environmental structure in FIG. 2 are for illustrative purposes only and form no part of the claimed design.

1 Claim, 2 Drawing Sheets



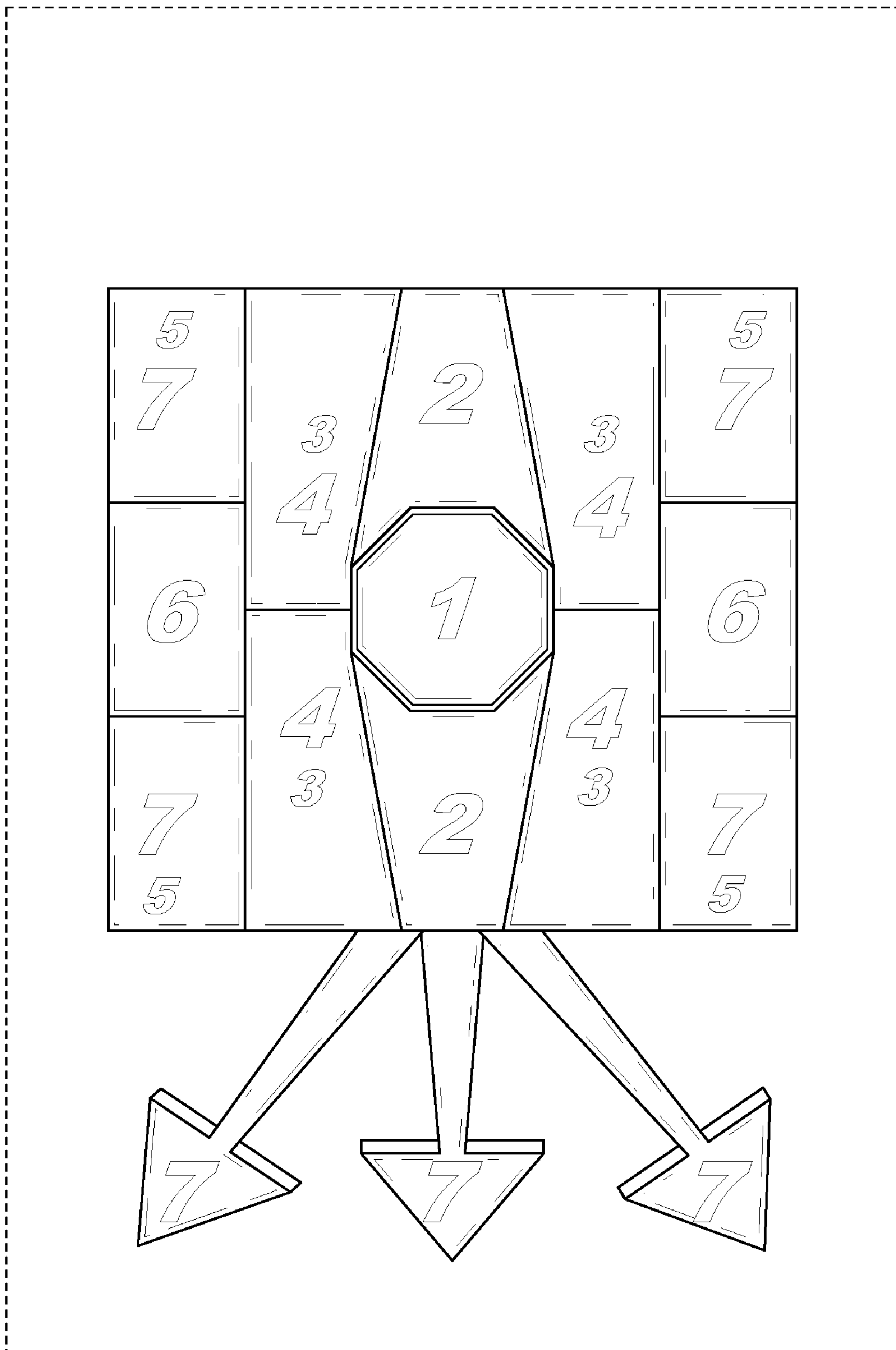


FIG. 1

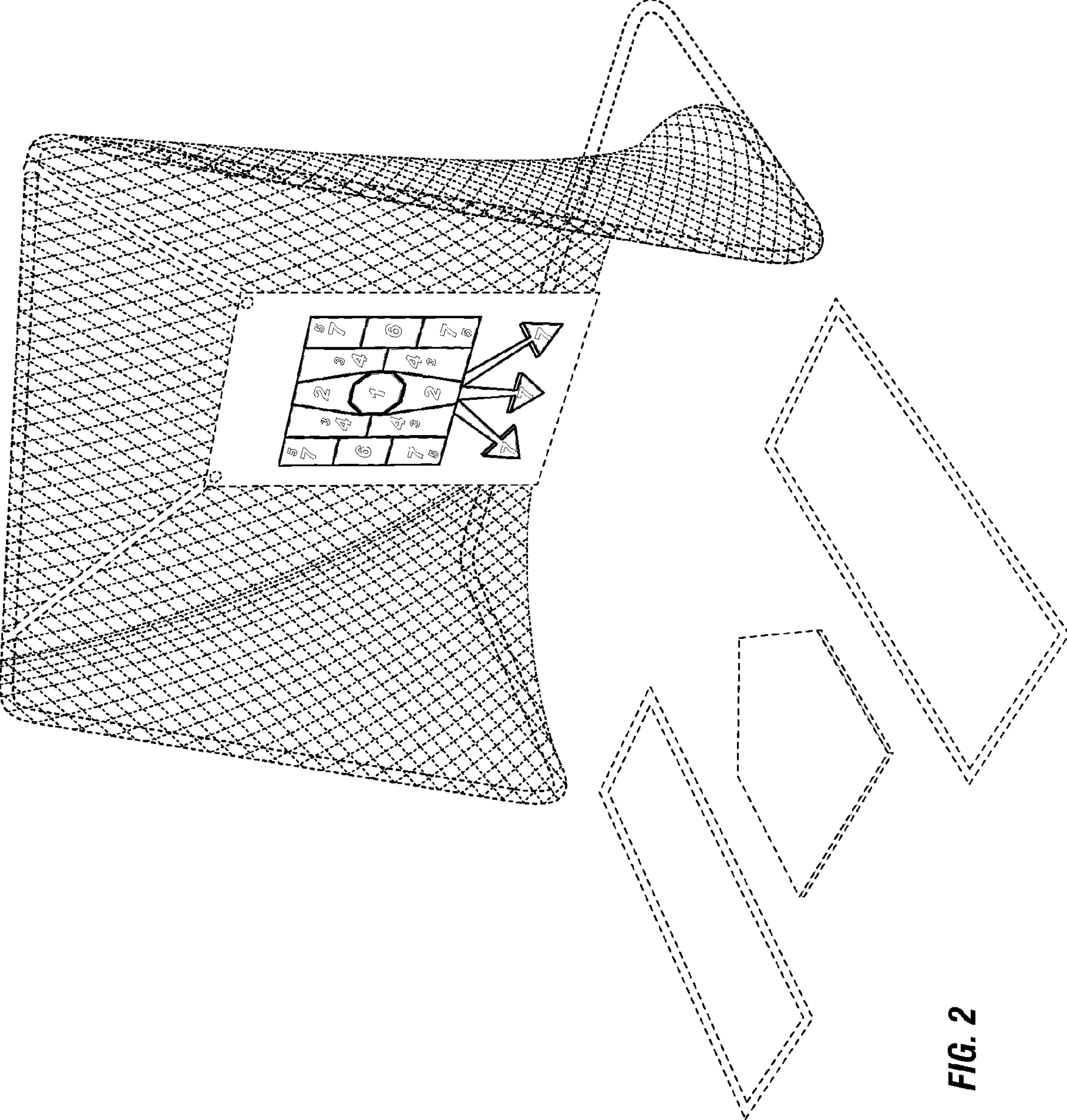


FIG. 2