



US00D612001S

(12) **United States Design Patent**
Gibson

(10) **Patent No.:** **US D612,001 S**
(45) **Date of Patent:** **** Mar. 16, 2010**

(54) **SPORTS GOAL**

(76) Inventor: **William G. Gibson**, 780 Godfrey Rd.,
Villanova, PA (US) 19085

(**) Term: **14 Years**

(21) Appl. No.: **29/313,952**

(22) Filed: **Feb. 20, 2009**

(51) **LOC (9) Cl.** **21-02**

(52) **U.S. Cl.** **D21/699**

(58) **Field of Classification Search** D21/302,
D21/303, 305, 699, 701-705; 473/415, 416,
473/421, 431-435, 439, 446-448, 454-456,
473/470-472, 476-489; 273/317-317.3,
273/348, 382, 389, 394, 398, 400, 402-404,
273/407, 408, 410

See application file for complete search history.

(56) **References Cited**

U.S. PATENT DOCUMENTS

574,087	A *	12/1896	Frick	273/402
1,549,848	A *	8/1925	Sexton	273/393
1,629,907	A *	5/1927	Dwyer	473/190
1,927,741	A *	9/1933	Herbert	473/191
2,126,102	A *	8/1938	Fowier	473/456
2,771,294	A *	11/1956	MacChesney	473/470
2,805,861	A *	9/1957	Lopas	473/472
D232,369	S *	8/1974	Tolliver	D21/705
4,168,066	A *	9/1979	Sole et al.	273/402
4,441,719	A *	4/1984	Lohr	273/402
4,489,941	A *	12/1984	Shieh	473/197
4,579,344	A *	4/1986	Meggs	473/478

5,000,461	A *	3/1991	Borazjani	273/401
6,905,418	B2 *	6/2005	Rhee	473/197
2007/0184920	A1 *	8/2007	Mah et al.	473/446

FOREIGN PATENT DOCUMENTS

GB DES. 3025493 * 8/2006

* cited by examiner

Primary Examiner—Catherine Tuttle

(74) *Attorney, Agent, or Firm*—Dilworth Paxson LLP

(57) **CLAIM**

The ornamental design for a sports goal, as shown and described.

DESCRIPTION

FIG. 1 is a front elevation view of the sports goal showing my new design;

FIG. 2 is a rear elevation view thereof;

FIG. 3 is a left side elevation view thereof;

FIG. 4 is a right side elevation view thereof;

FIG. 5 is a top view thereof;

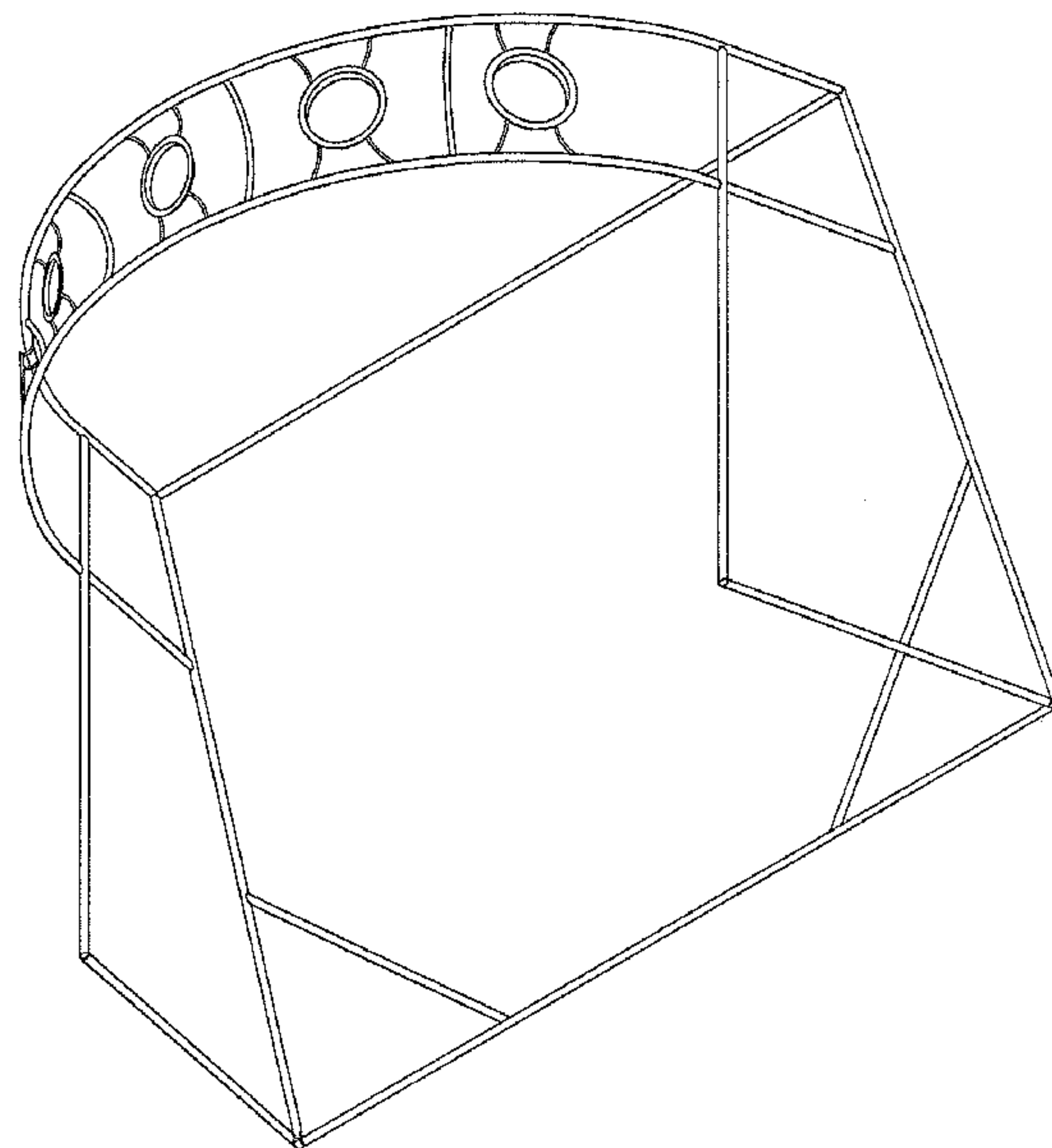
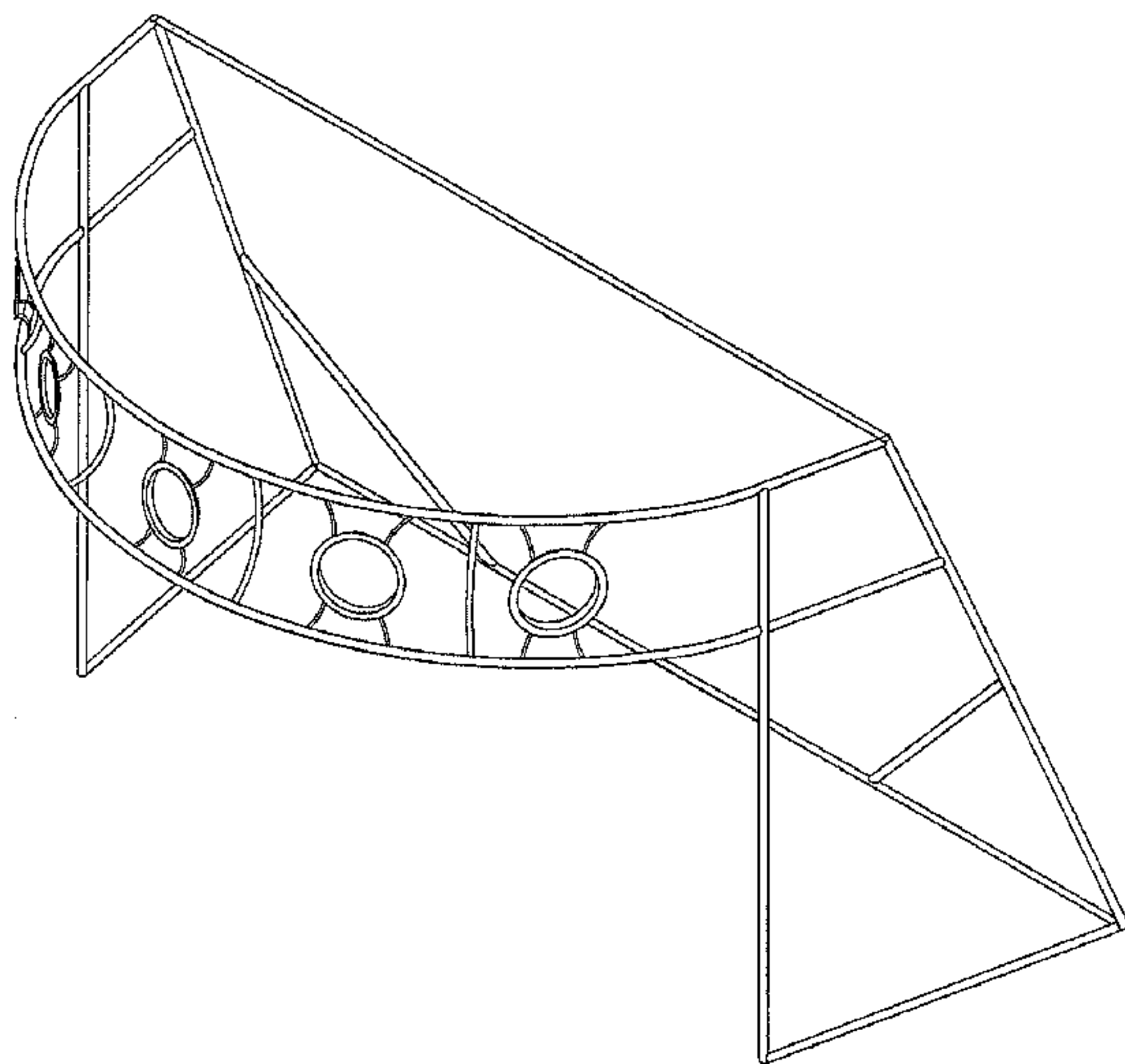
FIG. 6 is a bottom view thereof;

FIG. 7 is a top, front and left perspective view thereof; and,

FIG. 8 is a bottom, front and left perspective view thereof.

The shading lines shown in the accompanying drawings represent three-dimensional surface contour only and do not depict any texture, color, shading or other characteristic.

1 Claim, 5 Drawing Sheets



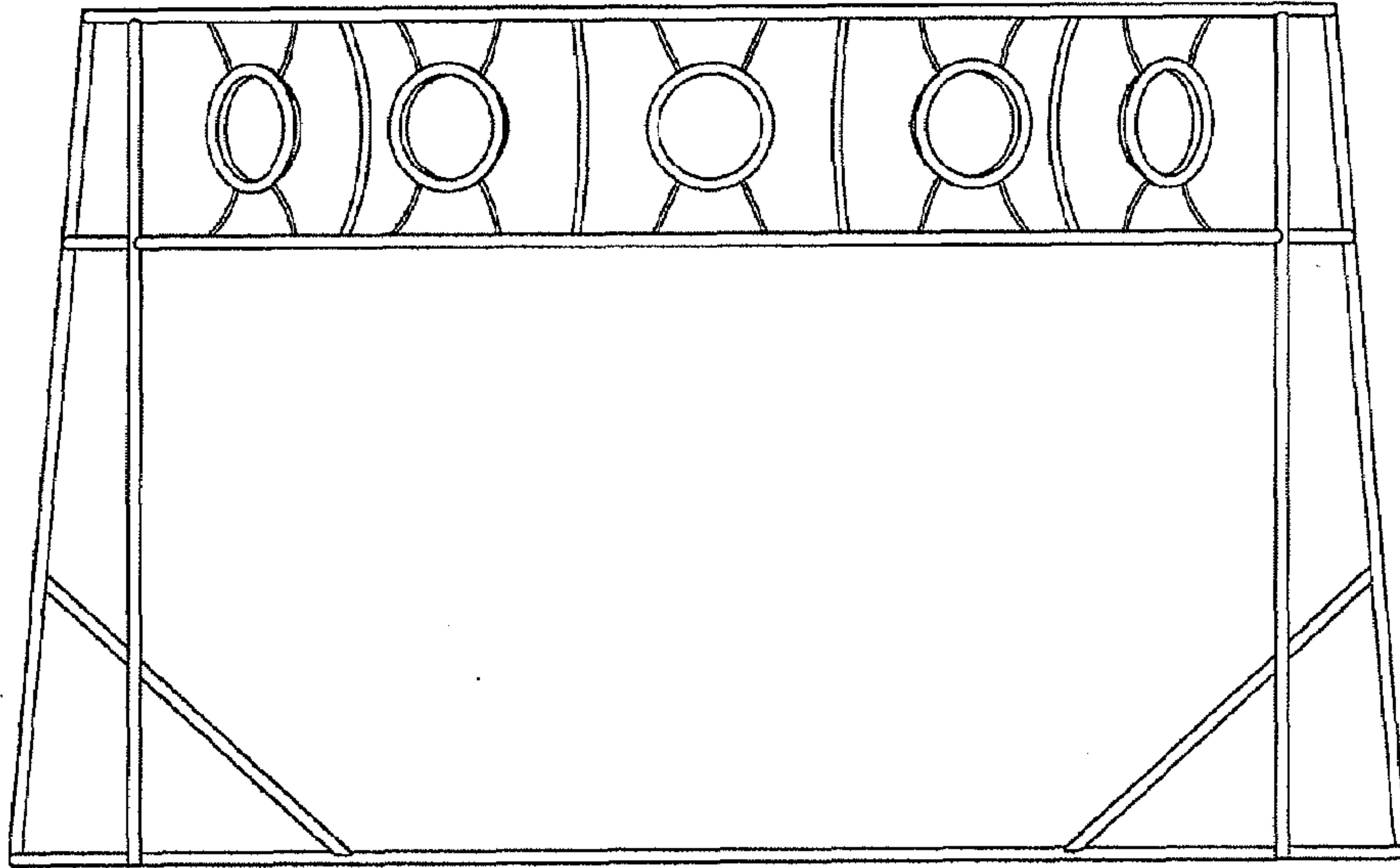


FIG. 1

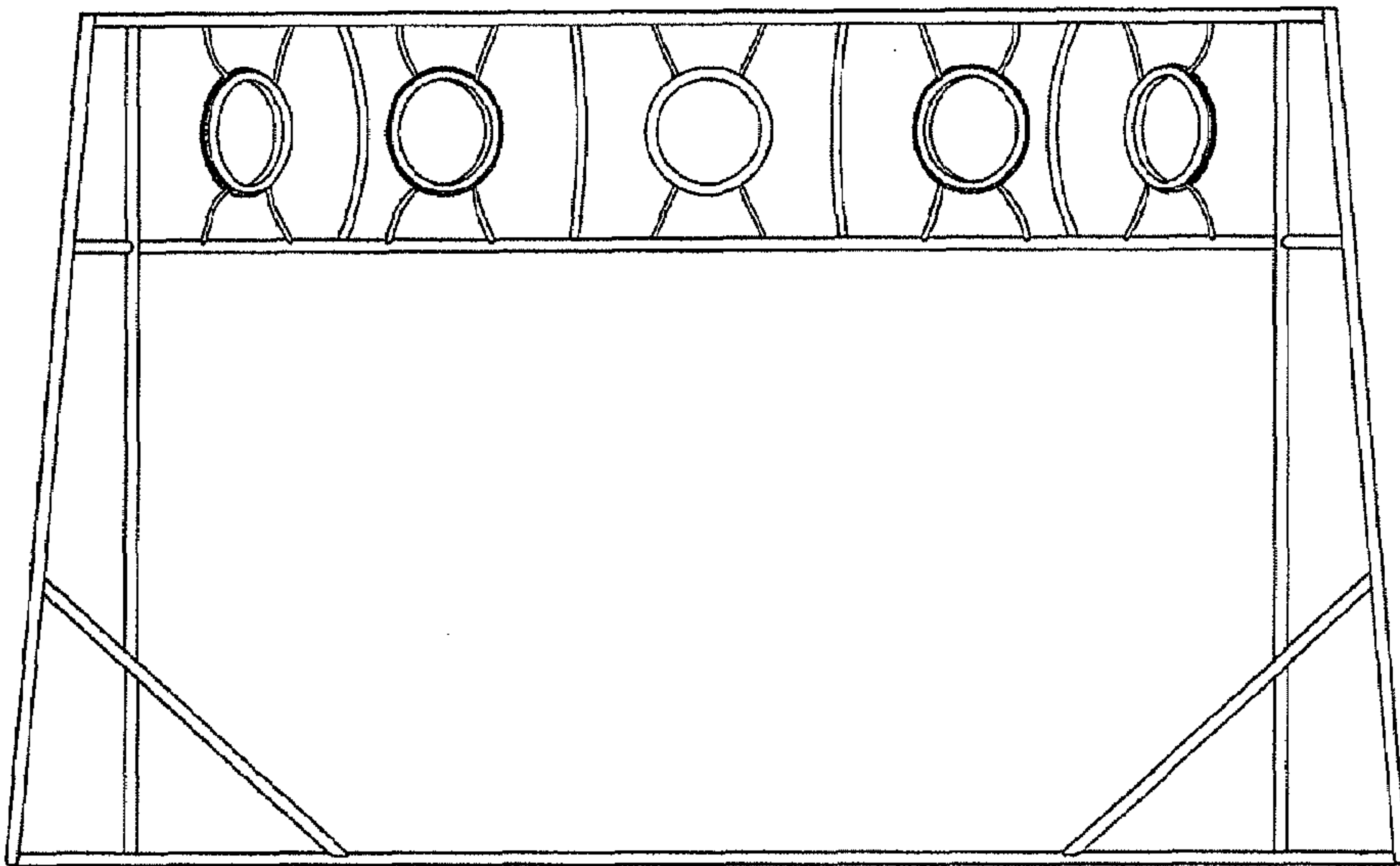


FIG. 2

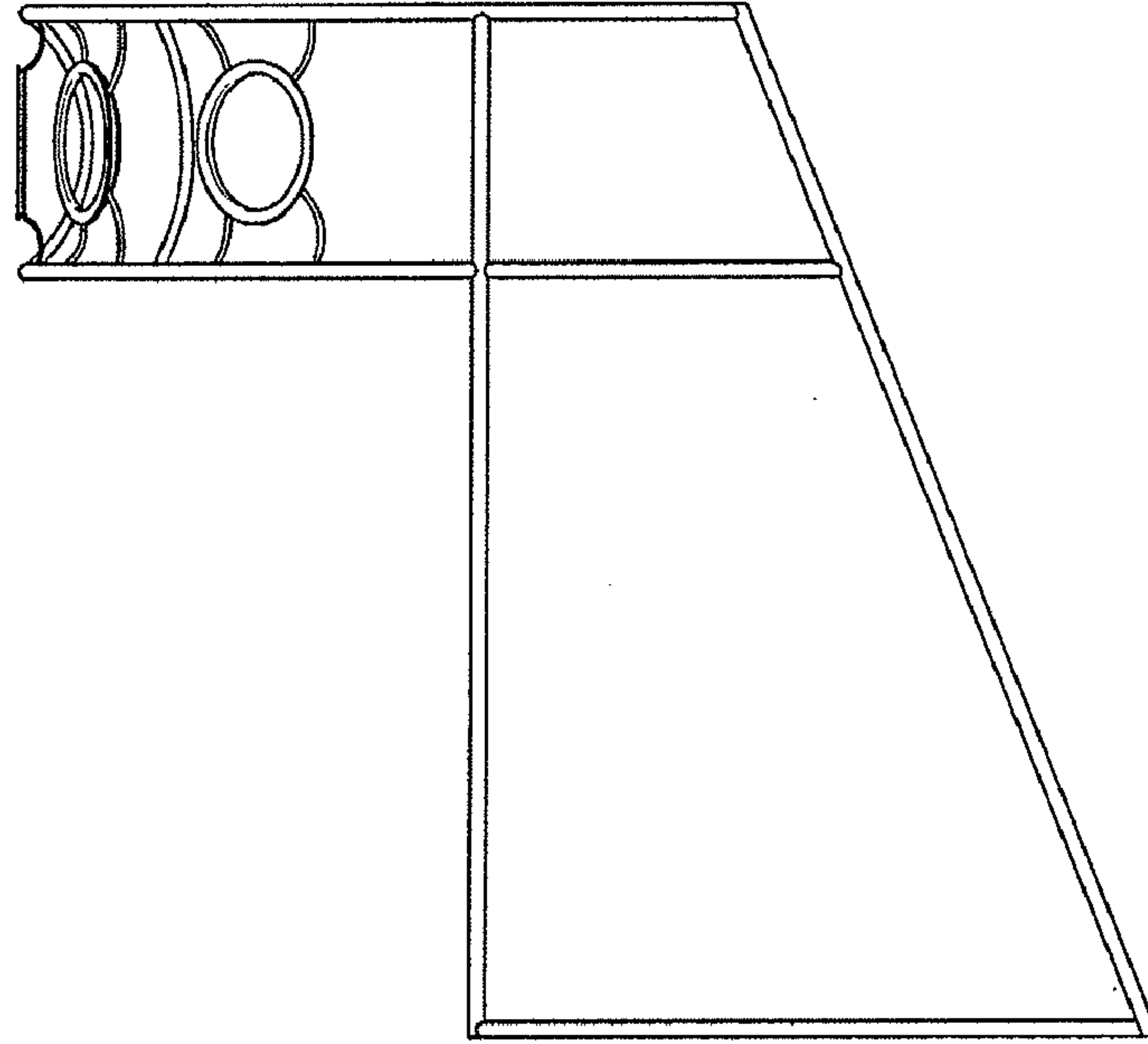


FIG. 3

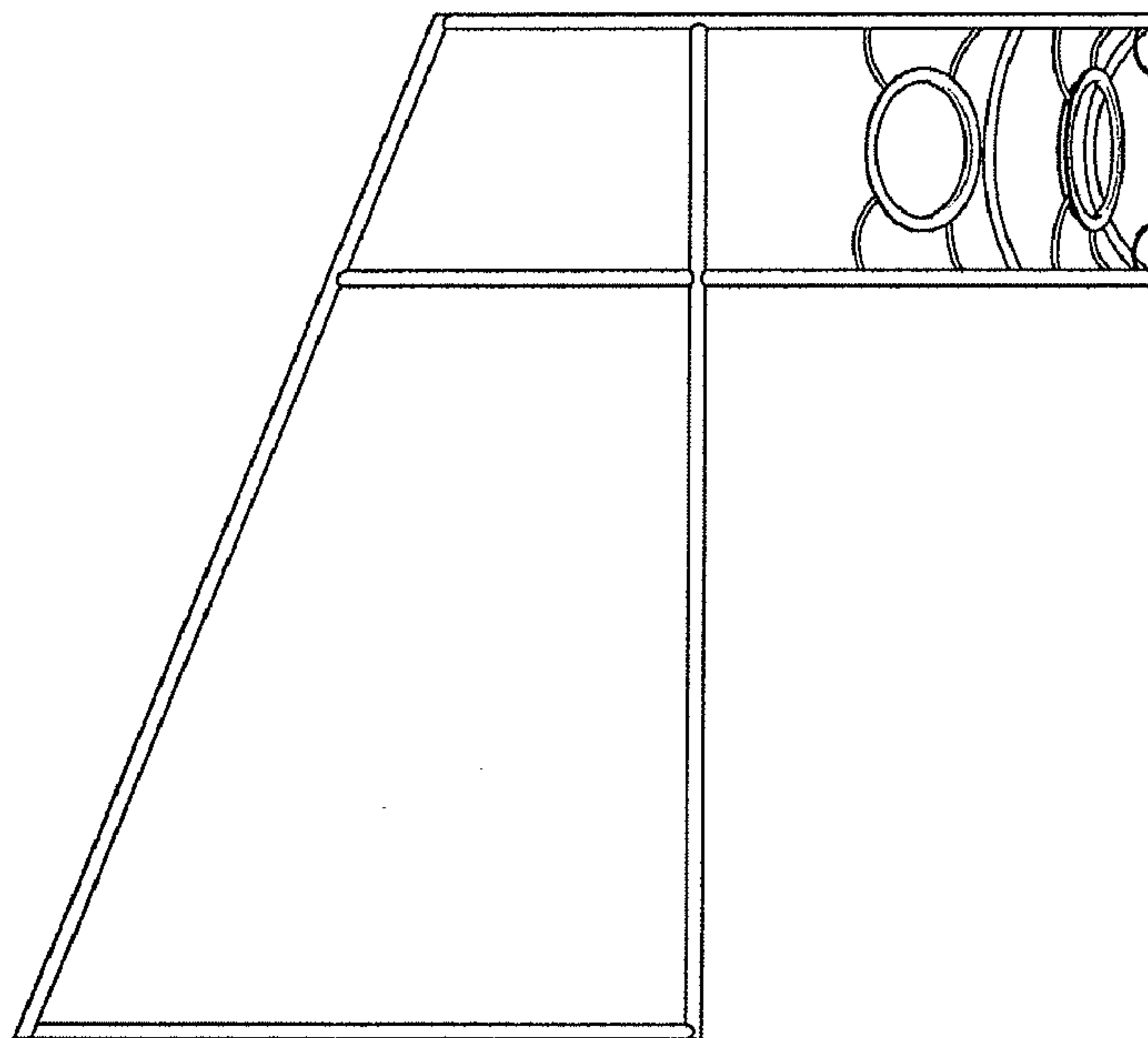


FIG. 4

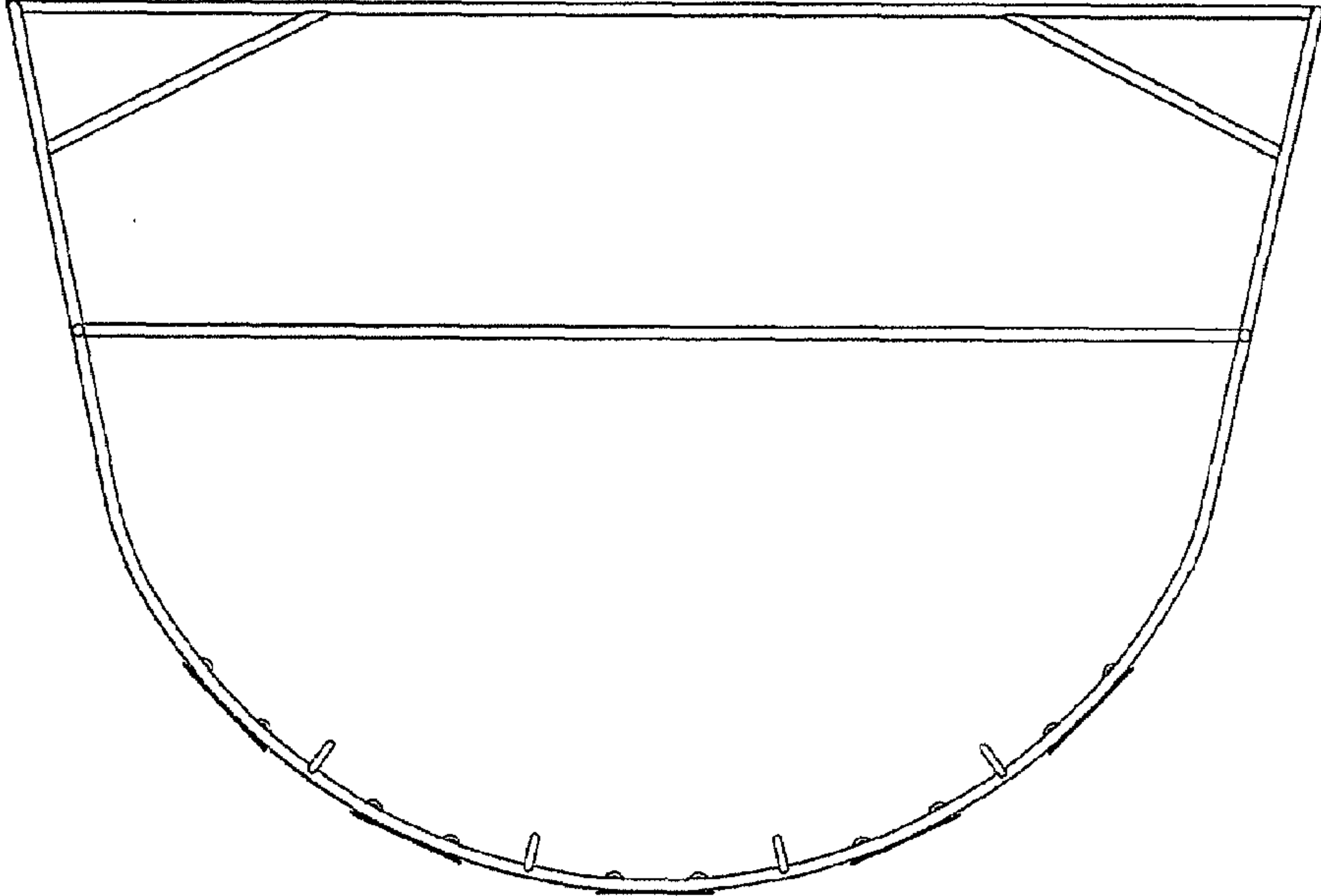


FIG. 5

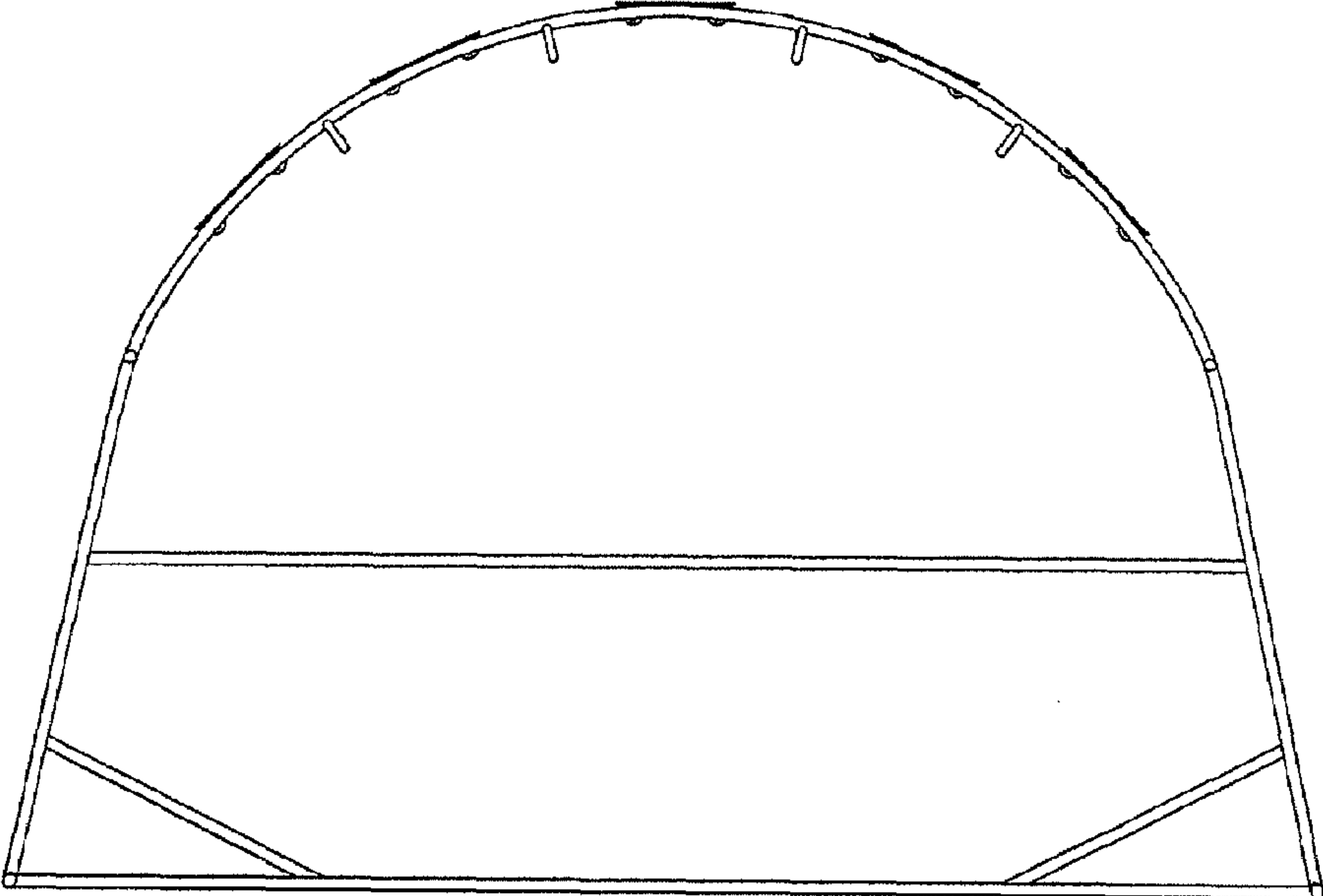


FIG. 6

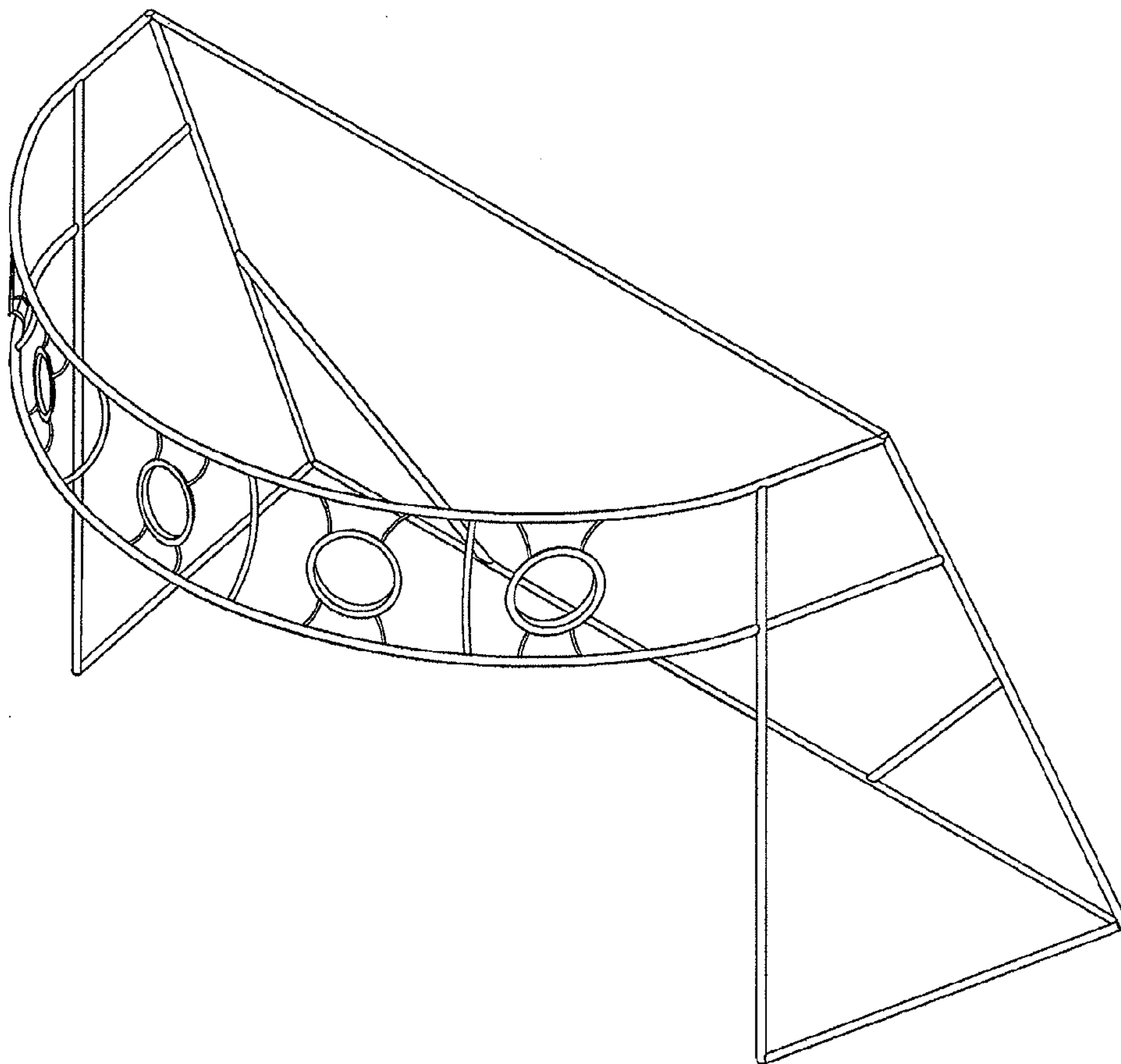


FIG. 7

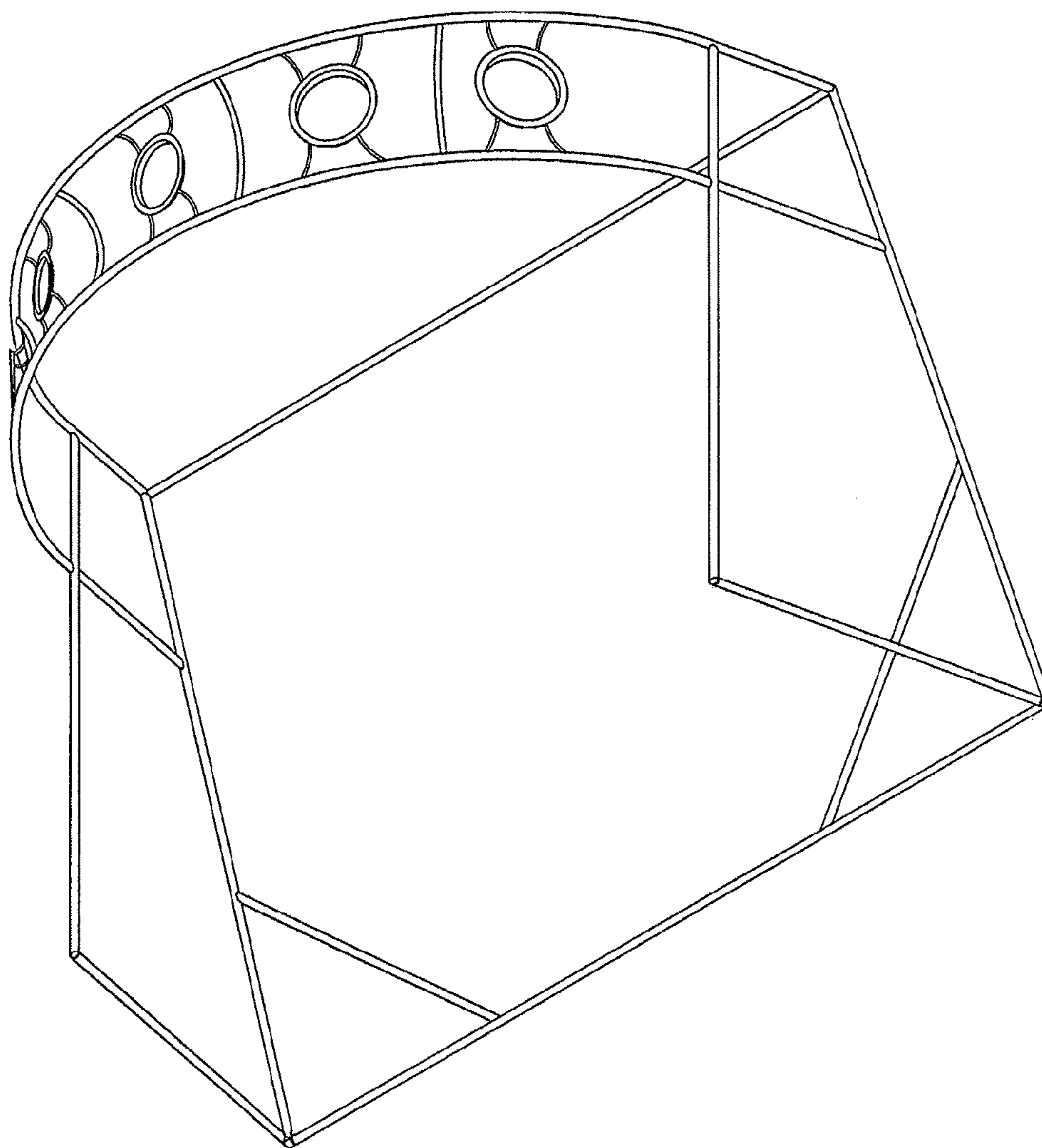


FIG. 8