



US00D611999S

(12) **United States Design Patent**
Stankard et al.

(10) **Patent No.:** **US D611,999 S**
(45) **Date of Patent:** **** Mar. 16, 2010**

(54) **EXERCISE APPARATUS**

(75) Inventors: **Phillip N Stankard**, Madison, WI (US);
William C Cesaroni, Glenview, IL (US);
Christian L Castro, Chicago, IL (US)

(73) Assignee: **Johnson Health Tech Co., Ltd.**,
Taichung Hsien (TW)

(**) Term: **14 Years**

(21) Appl. No.: **29/315,449**

(22) Filed: **Jun. 29, 2009**

(51) **LOC (9) Cl.** **21-02**

(52) **U.S. Cl.** **D21/662**

(58) **Field of Classification Search** D21/662-670,
D21/694, 697; 482/51-52, 57-59, 61-65,
482/70; 280/266, 282, 284, 288.1, 304.4;
D12/111

See application file for complete search history.

(56) **References Cited**

U.S. PATENT DOCUMENTS

4,071,235	A *	1/1978	Zent	482/62
4,417,743	A *	11/1983	Garel	280/266
6,149,552	A *	11/2000	Chen	482/72
6,855,096	B2 *	2/2005	Quiros Granados	482/57
D514,030	S *	1/2006	Stack	D12/111
D533,237	S *	12/2006	Lassanske et al.	D21/698

7,393,308	B1 *	7/2008	Huang	482/51
D575,838	S *	8/2008	Goldberg	D21/697
7,481,746	B2 *	1/2009	Ibarguren	482/57
7,625,317	B2 *	12/2009	Stevenson et al.	482/51
2007/0202995	A1 *	8/2007	Roman et al.	482/51
2008/0167164	A1 *	7/2008	Wang	482/52
2009/0131227	A1 *	5/2009	Stevenson et al.	482/51

* cited by examiner

Primary Examiner—Philip S Hyder
Assistant Examiner—Susan E Krakower

(57) **CLAIM**

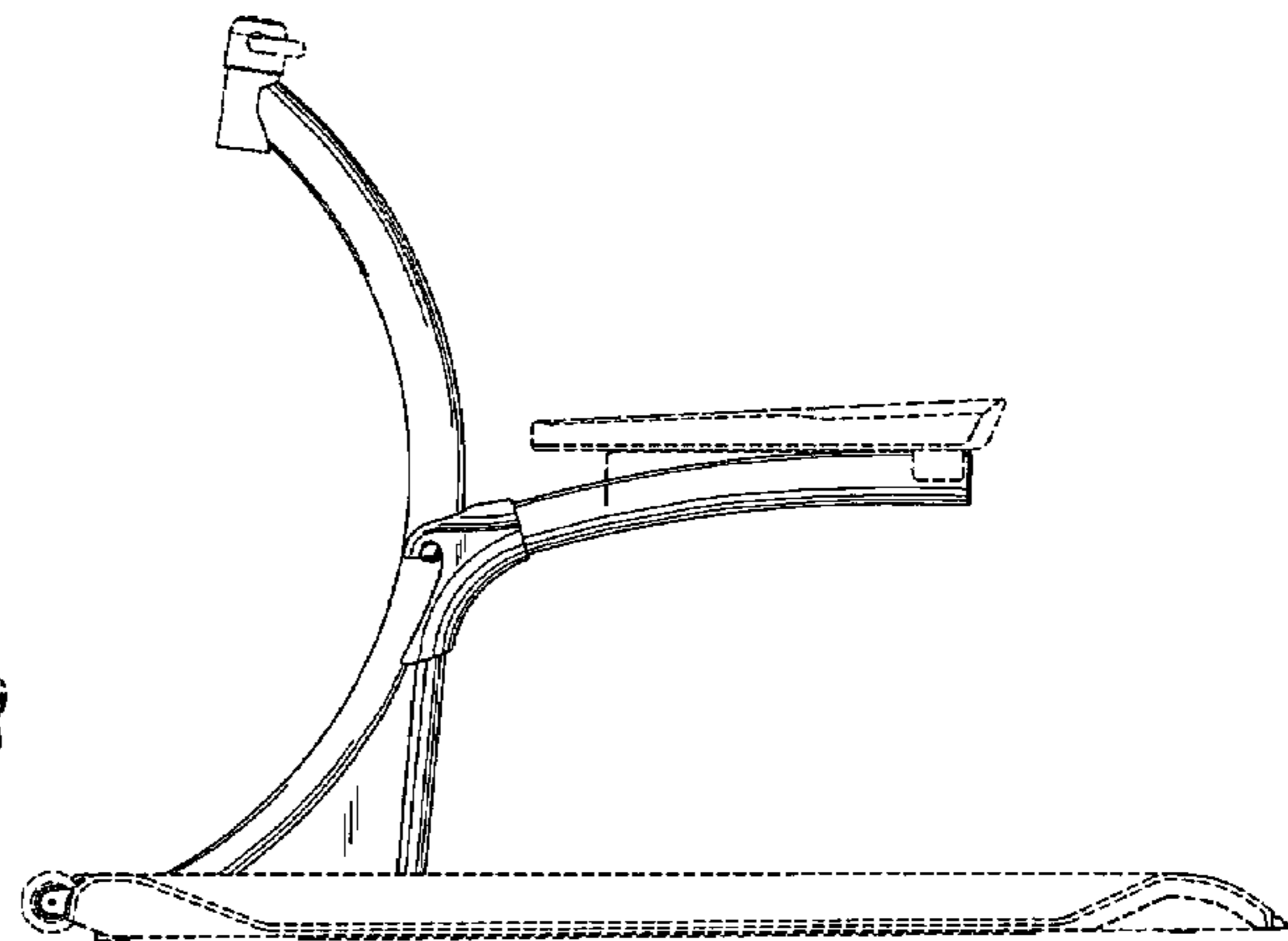
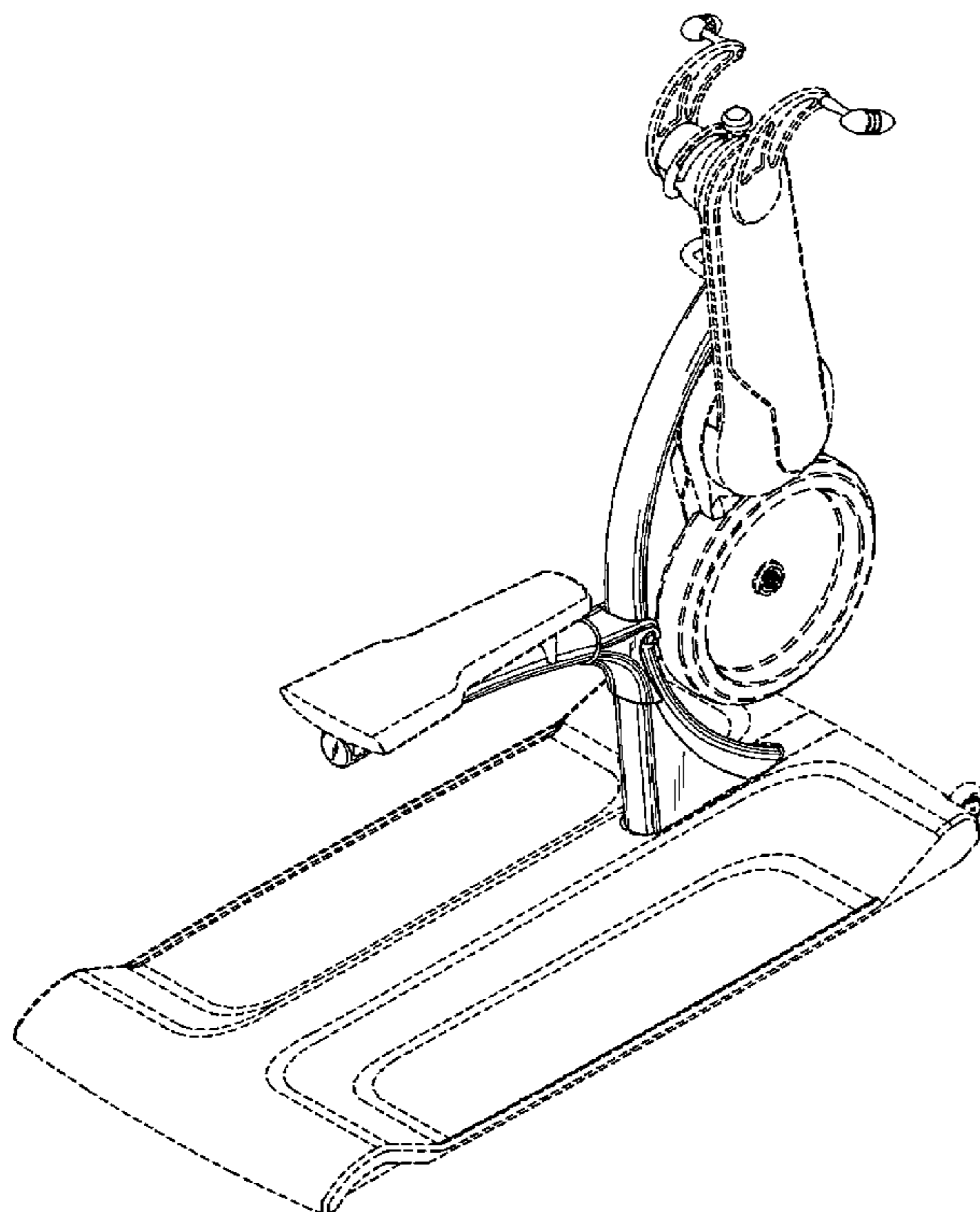
The ornamental design for a exercise apparatus, as shown and described.

DESCRIPTION

FIG. 1 is a perspective view of the exercise apparatus;
FIG. 2 is a front elevational view of the exercise apparatus;
FIG. 3 is a rear elevational view of the exercise apparatus;
FIG. 4 is a left side elevational view of the exercise apparatus;
FIG. 5 is a right side elevational view of the exercise apparatus; and,
FIG. 6 is a top plan view of the exercise apparatus.

The broken lines in the drawings depict unclaimed environmental subject matter.

1 Claim, 6 Drawing Sheets



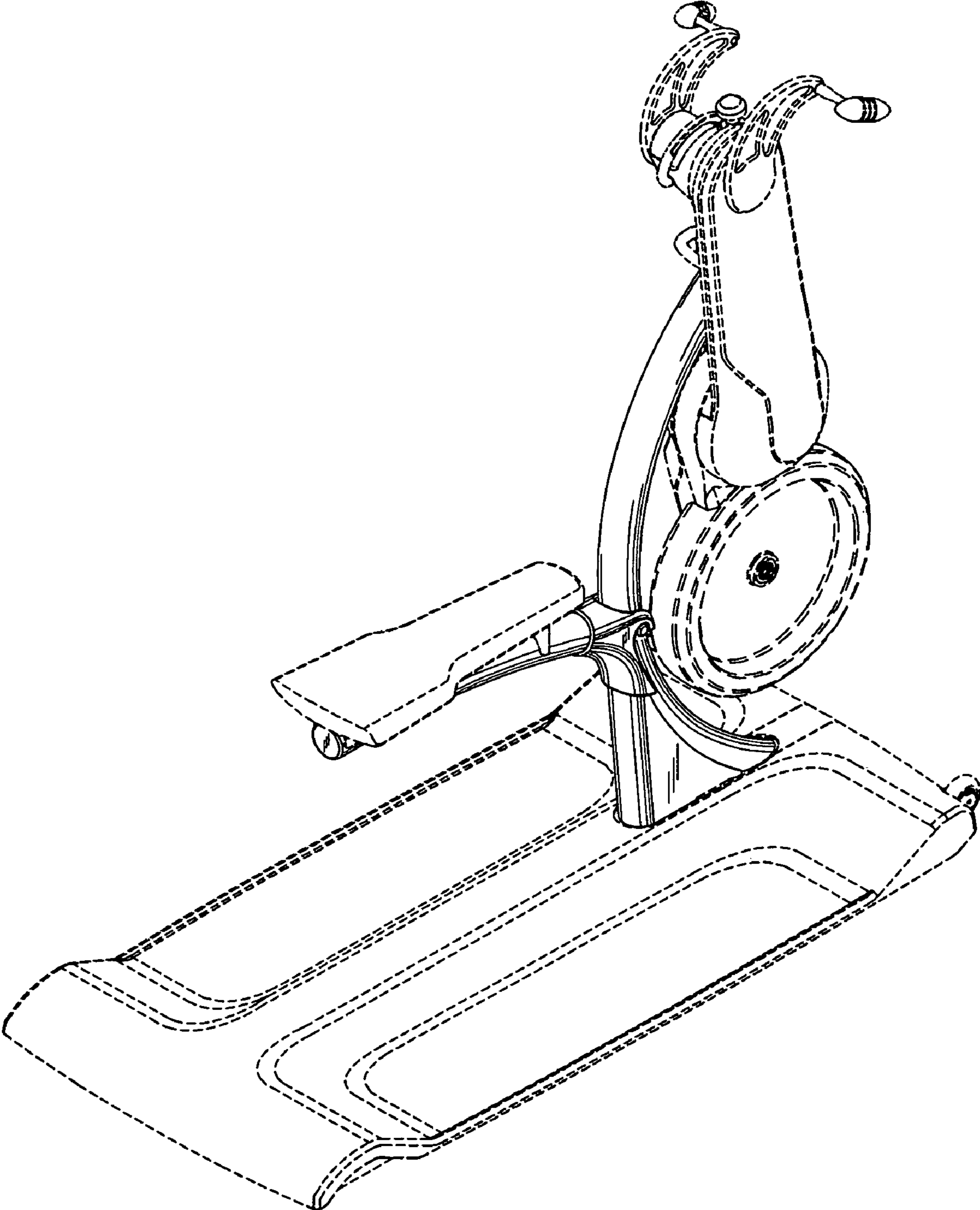


Fig. 1

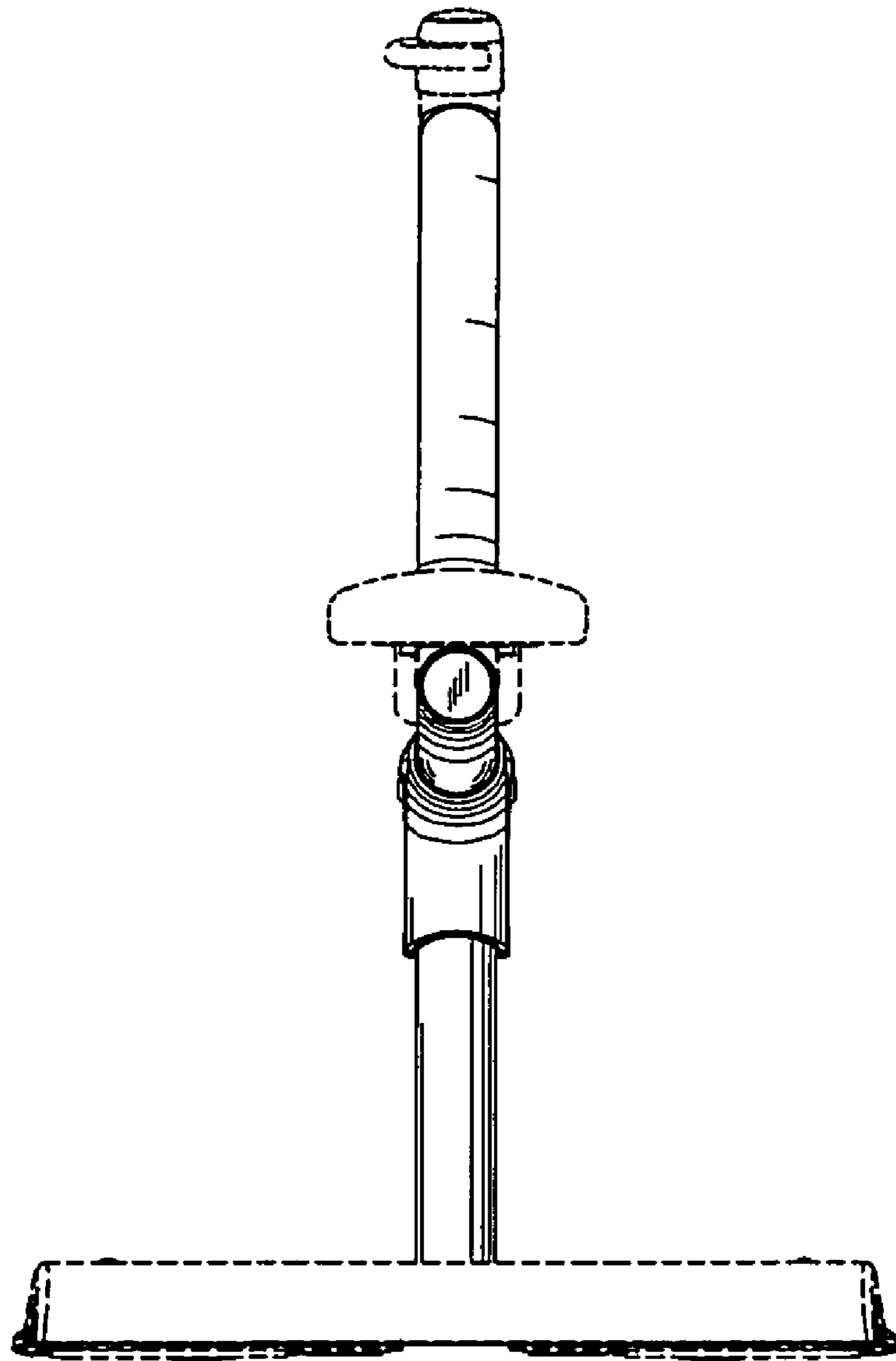


Fig.2

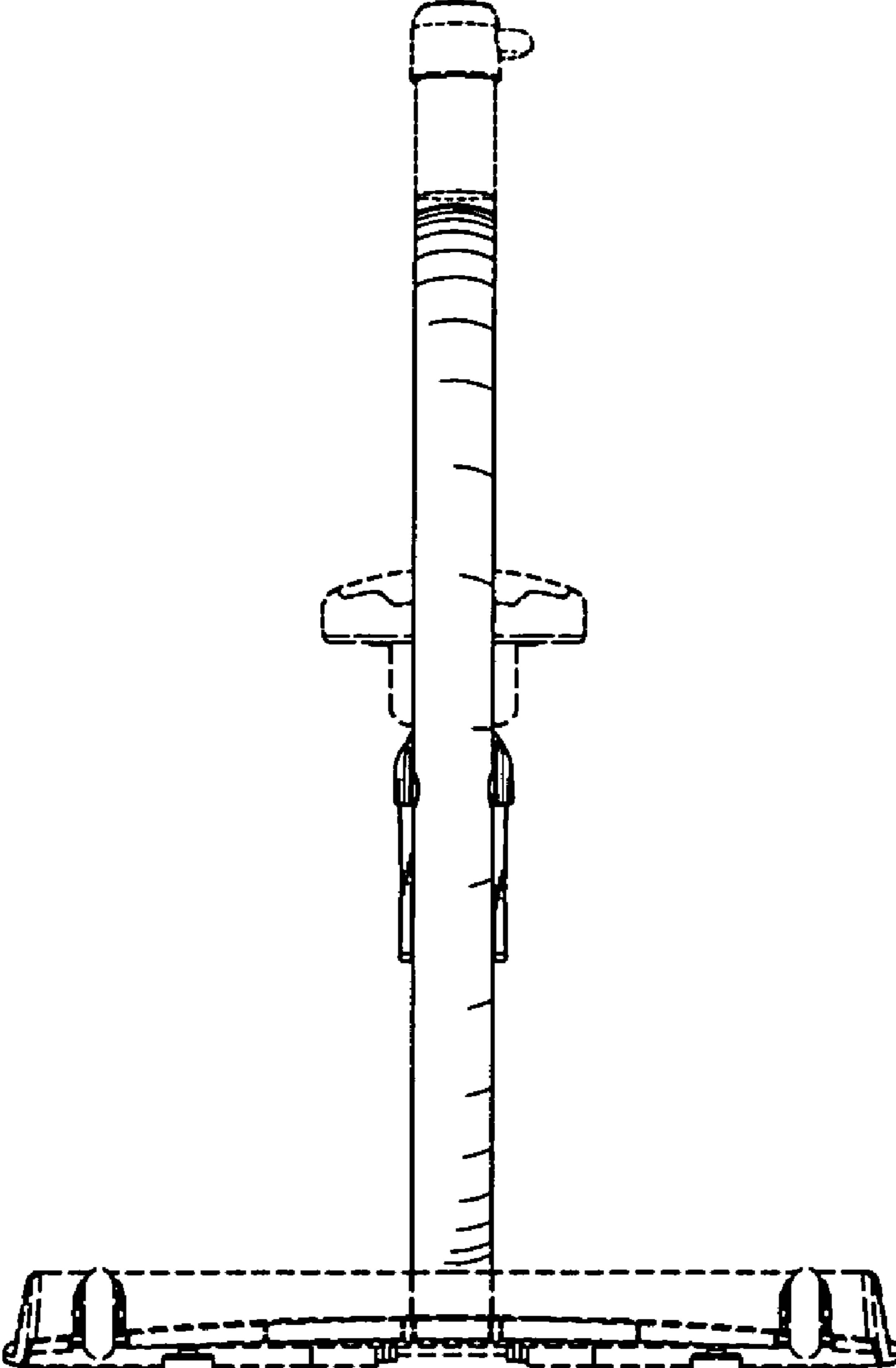


Fig.3

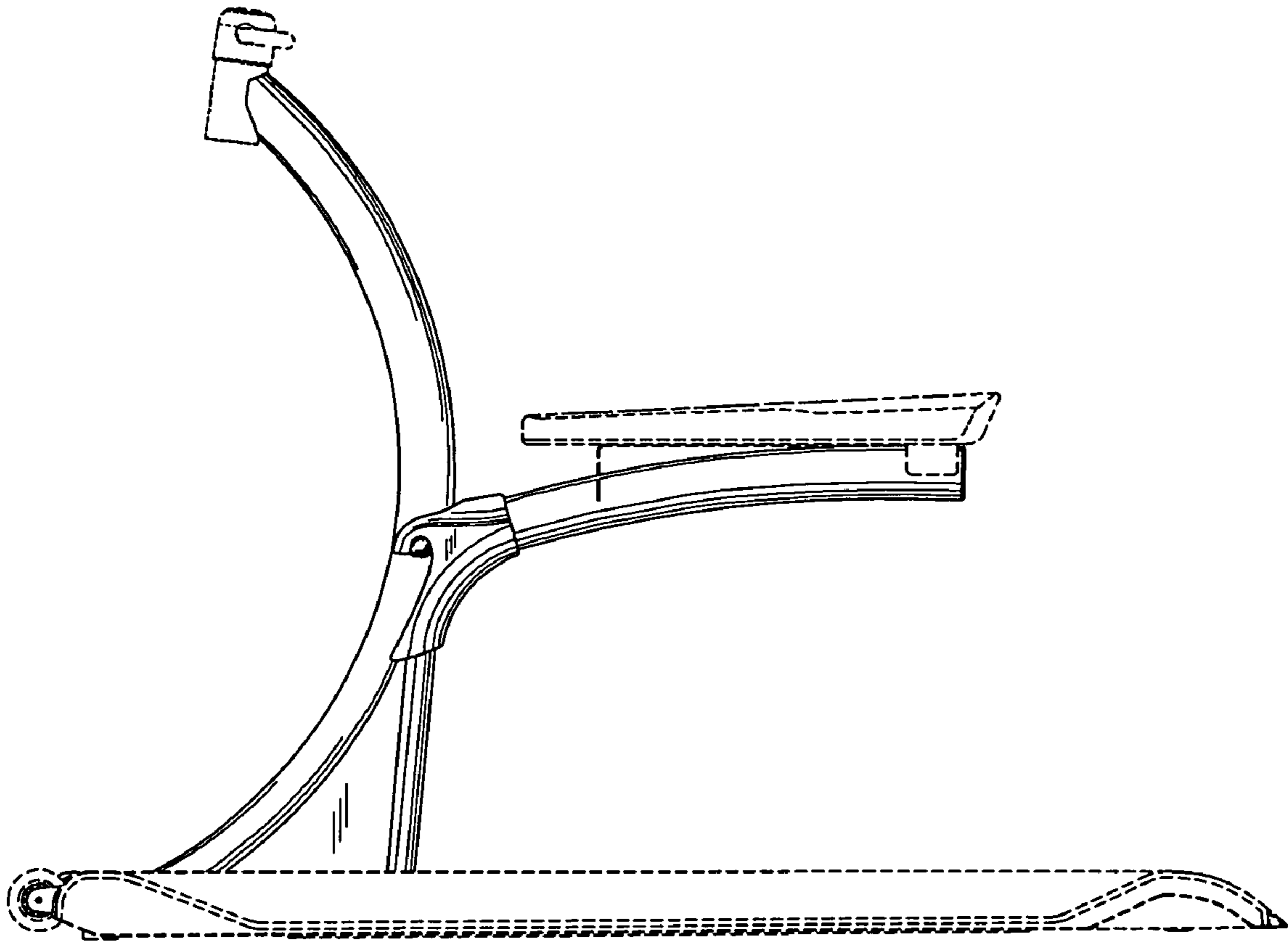


Fig.4

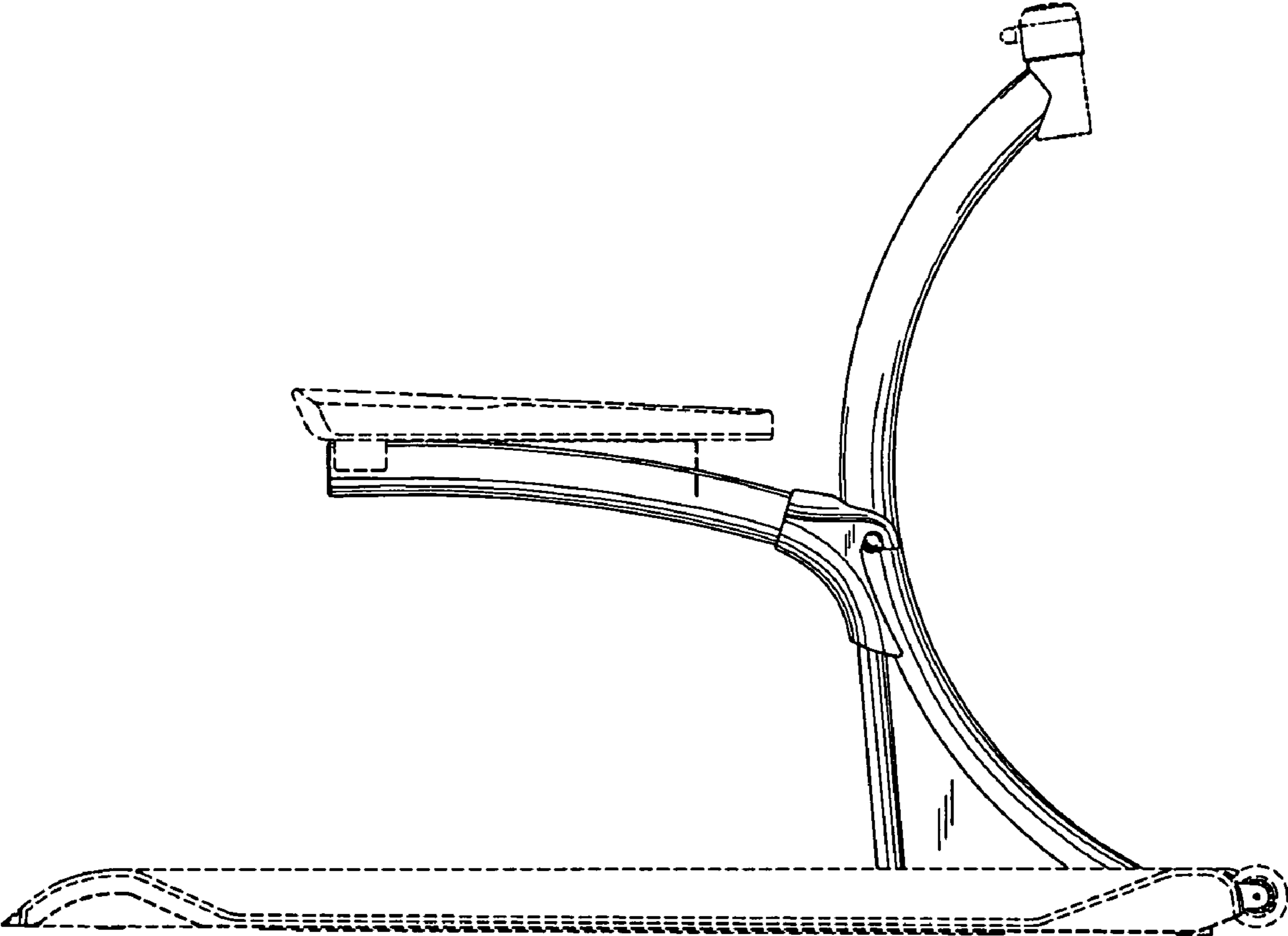


Fig.5

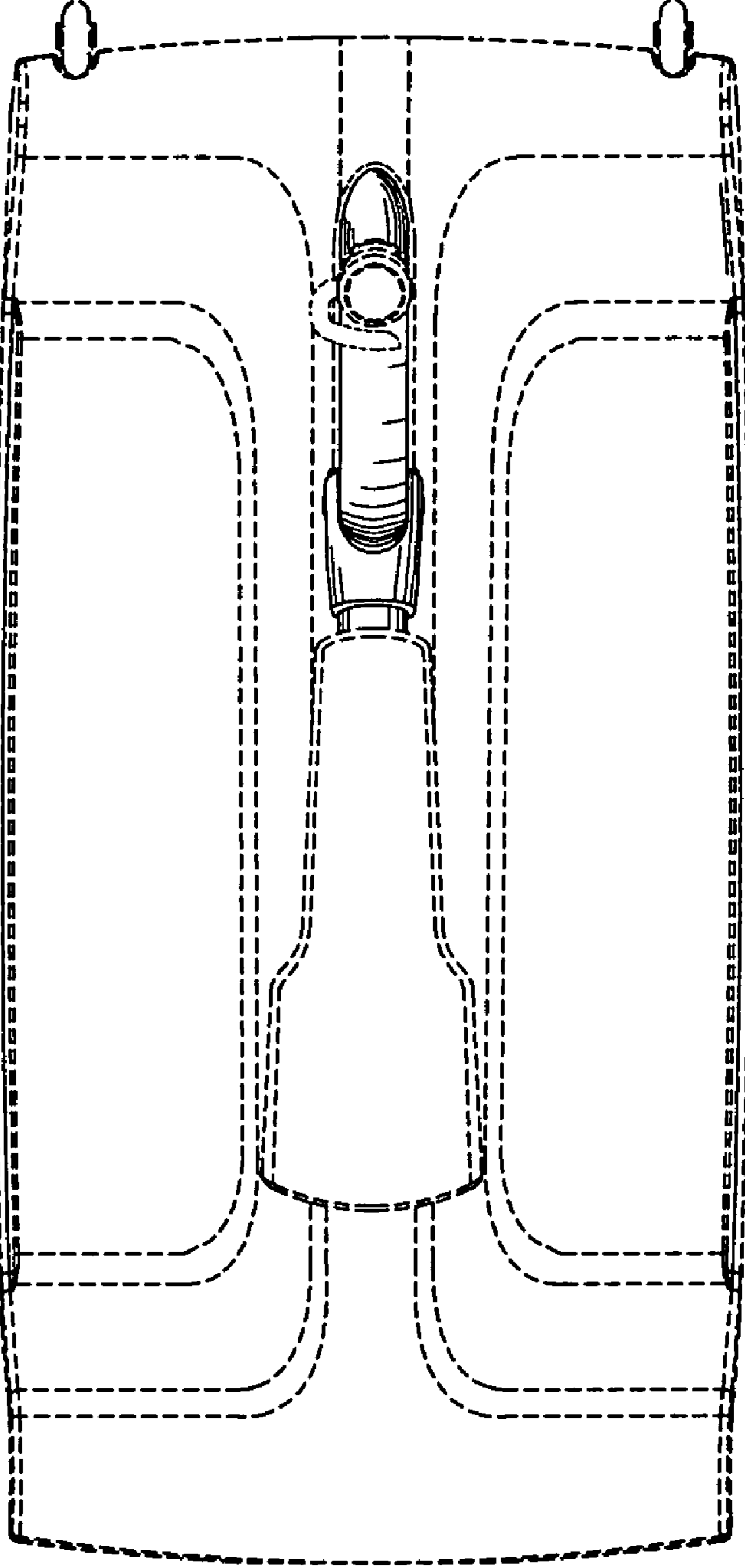


Fig.6