



US00D611996S

(12) **United States Design Patent**  
**Shimizu et al.**

(10) **Patent No.:** **US D611,996 S**  
(45) **Date of Patent:** **\*\* Mar. 16, 2010**

(54) **SLOT MACHINE REELS**

(75) Inventors: **Toshiaki Shimizu**, Yamato (JP); **Takashi Nishitsuji**, Sagamihara (JP)

(73) Assignee: **Konami Gaming, Inc.**, Las Vegas

(\*\*) Term: **14 Years**

(21) Appl. No.: **29/314,053**

(22) Filed: **Feb. 27, 2009**

**Related U.S. Application Data**

(63) Continuation of application No. 29/288,504, filed on Jun. 13, 2007, now abandoned.

(51) **LOC (9) Cl.** ..... **21-01**

(52) **U.S. Cl.** ..... **D21/385; D21/370**

(58) **Field of Classification Search** ..... D21/325,  
D21/329, 385; D14/305, 307; 463/16-17,  
463/20, 25, 46-47; 273/138.1, 143 R  
See application file for complete search history.

(56) **References Cited**

**U.S. PATENT DOCUMENTS**

3,759,525 A	9/1973	Davis
D264,485 S	5/1982	Kitchen
4,570,934 A	2/1986	Smyth
4,700,948 A	10/1987	Okada
D404,084 S	1/1999	Hedrick et al.
D406,615 S	3/1999	Griswold et al.
D437,004 S	1/2001	Luciano et al.
6,471,208 B2	10/2002	Yoseloff et al.
6,578,847 B1	6/2003	Hedrick et al.
6,604,740 B1	8/2003	Singer et al.

6,880,826 B2	4/2005	Inoue	
D510,752 S	10/2005	Baelocher	
D514,170 S	1/2006	Kaminkow et al.	
7,014,560 B2	3/2006	Glavich et al.	
7,169,045 B2	1/2007	Nordman	
D537,127 S	2/2007	Kaminkow et al.	
2004/0026854 A1	2/2004	Inoue	
2004/0209667 A1 *	10/2004	Emori et al.	..... 463/20
2005/0043084 A1	2/2005	Inoue	
2005/0056996 A1	3/2005	Nordman	

\* cited by examiner

*Primary Examiner*—Sandra Morris

(74) *Attorney, Agent, or Firm*—Masuvalley & Partners

(57) **CLAIM**

The ornamental design for a slot machine reels, as shown and described.

**DESCRIPTION**

FIG. 1 is a front elevation view of an embodiment of our design for slot machine reels, each with a side cover.

FIG. 2 is a perspective view of an embodiment of our design for slot machine reels, each with a side cover.

FIG. 3 is an enlarged front elevation view of an embodiment of our design for slot machine reels, each with a side cover; and,

FIG. 4 is an enlarged front perspective view of an embodiment of our design for slot machine reels, each with a side cover.

The broken line disclosure is for illustrative purposes only and forms no part of the claimed design.

**1 Claim, 4 Drawing Sheets**

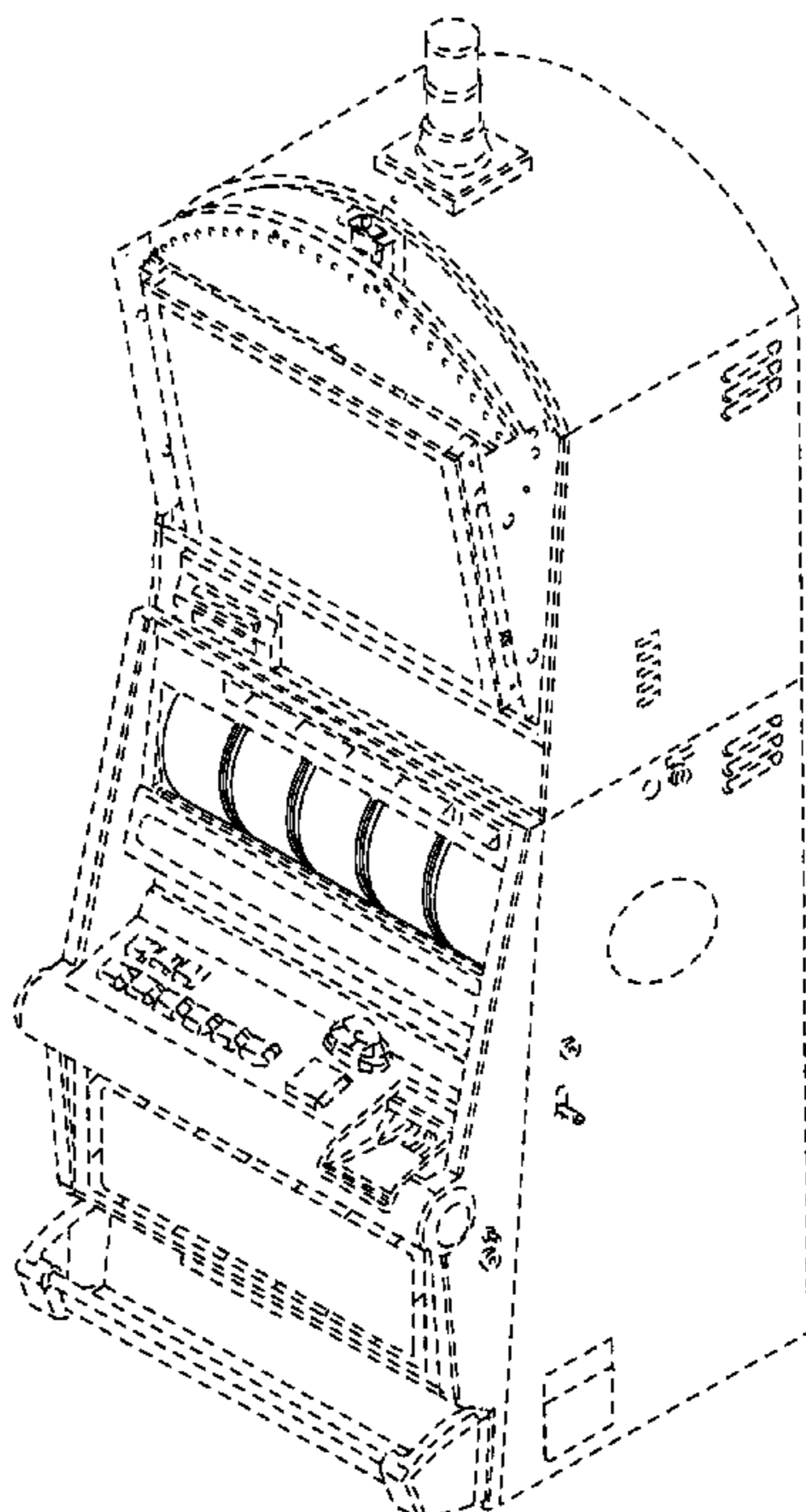


FIG. 1

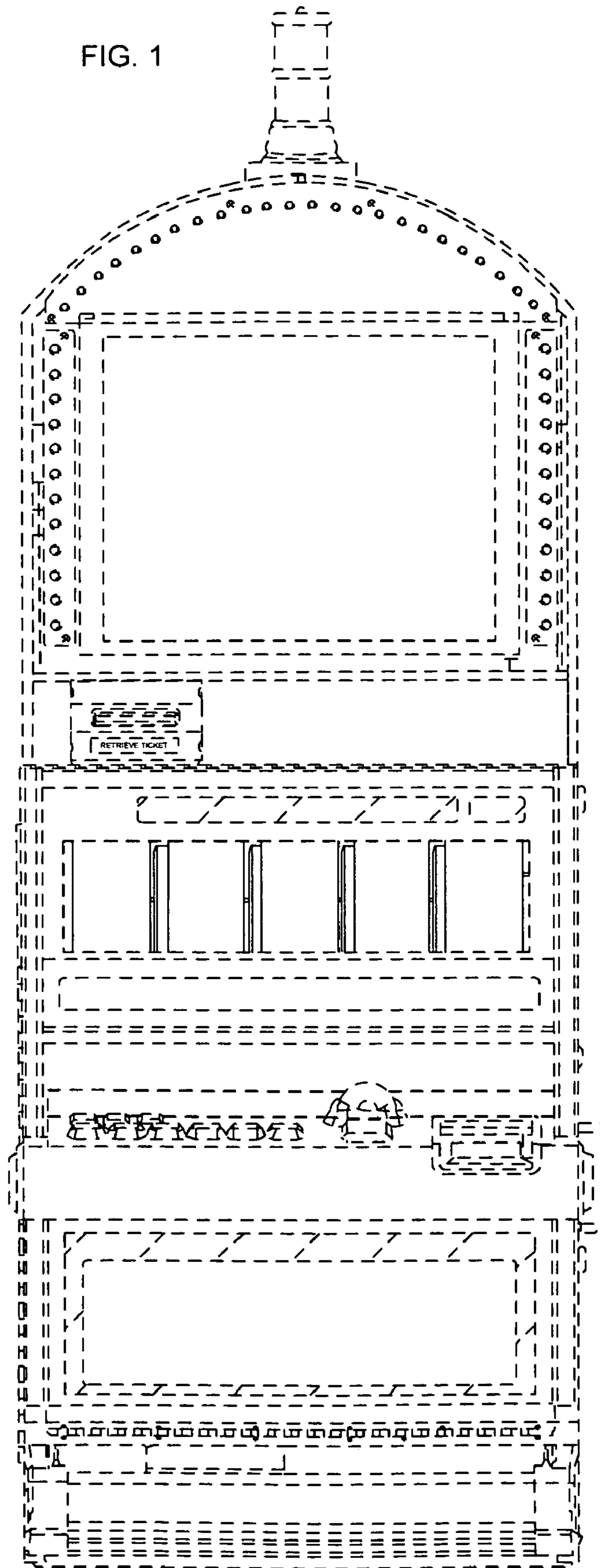


FIG. 2

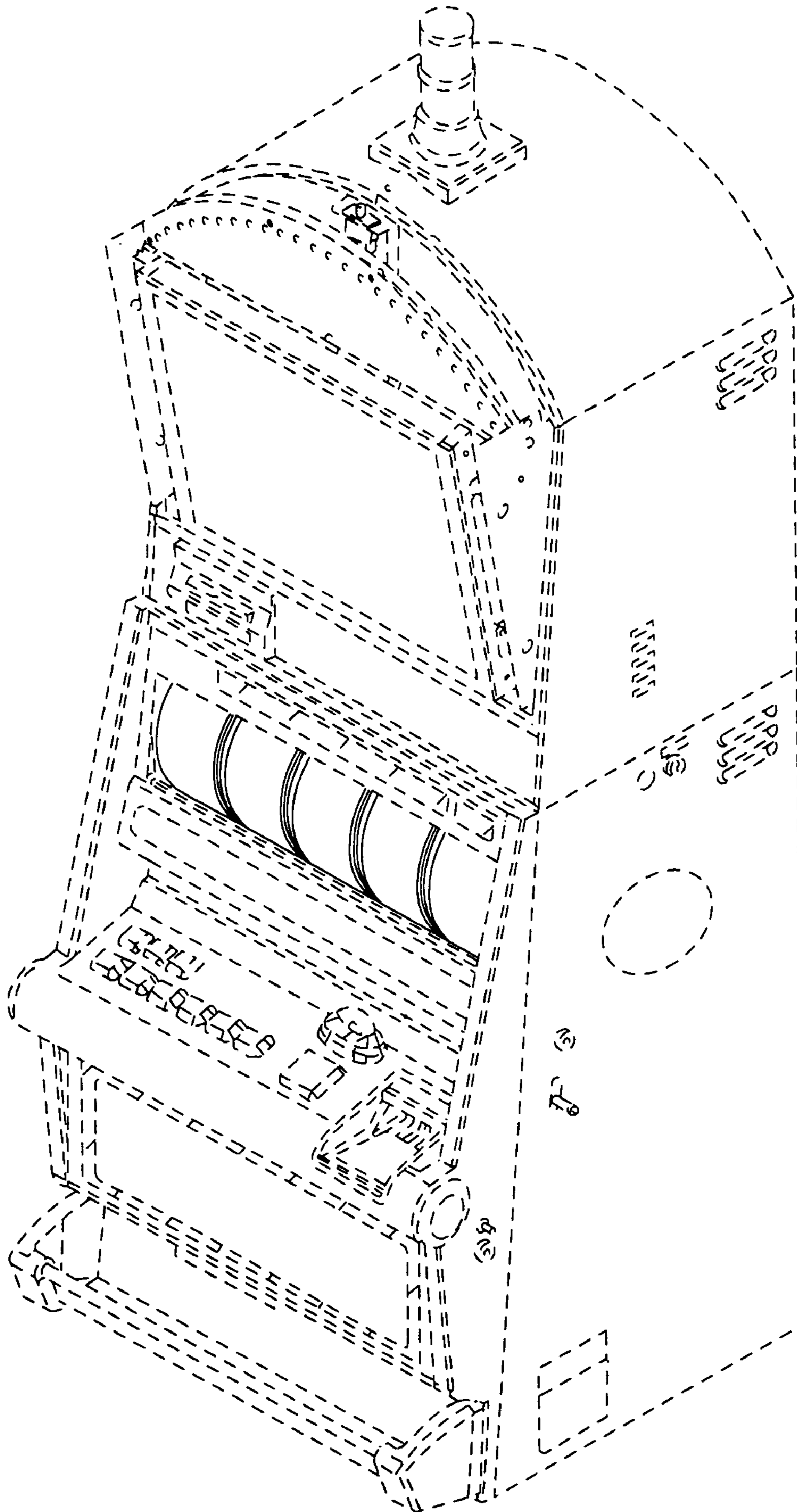


FIG. 3

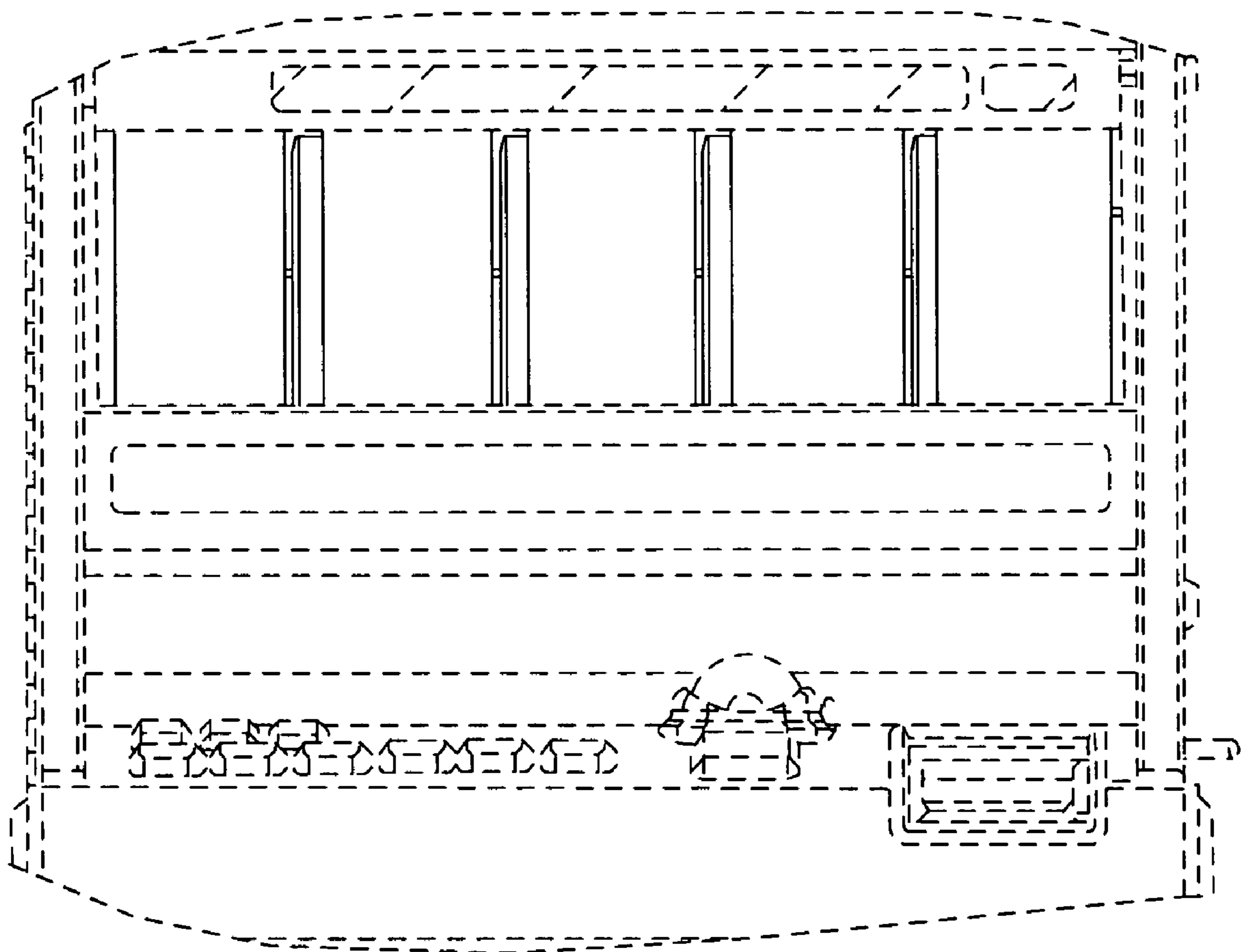




FIG. 4

