



US00D611993S

(12) **United States Design Patent**
Lynen et al.

(10) **Patent No.:** **US D611,993 S**
(45) **Date of Patent:** **** Mar. 16, 2010**

(54) **EDGE PUNCH**

(75) Inventors: **Stefanie Lynen**, Brooklyn, NY (US);
Megen Mingchen Lee, Brooklyn, NY
(US); **Marc Alexander Perruzzi**, New
York, NY (US)

(73) Assignee: **Martha Stewart Living Omnimedia,
Inc.**, New York, NY (US)

(**) Term: **14 Years**

(21) Appl. No.: **29/342,087**

(22) Filed: **Aug. 18, 2009**

(51) **LOC (9) Cl.** **19-02**

(52) **U.S. Cl.** **D19/72**

(58) **Field of Classification Search** D8/98;
D19/72; 30/358; 83/167, 468, 588, 633,
83/669, 684, 686, 698.91

See application file for complete search history.

(56) **References Cited**

U.S. PATENT DOCUMENTS

2,017,195	A *	10/1935	Anderson et al.	83/146
2,028,848	A *	1/1936	Roscoe	83/588
2,149,268	A *	3/1939	Brennan	83/468
D321,907	S *	11/1991	Matsuno	D19/72
5,067,242	A *	11/1991	Singer	30/364
D350,564	S *	9/1994	Goodin	D19/72
D397,725	S *	9/1998	Mori	D19/72
D398,647	S *	9/1998	Mori	D19/72
D415,529	S *	10/1999	Mori	D19/72
6,076,447	A *	6/2000	Damask	83/618
D491,230	S *	6/2004	Lee	D19/72
6,742,431	B1	6/2004	Oh	
6,752,058	B2	6/2004	Oh	
D533,229	S *	12/2006	Tou	D19/72
D567,861	S *	4/2008	Chen et al.	D19/72
D605,226	S *	12/2009	Nishimura	D19/72
2005/0039590	A1 *	2/2005	Weng	83/684

* cited by examiner

Primary Examiner—Elizabeth A Albert
(74) *Attorney, Agent, or Firm*—Seth D. Levy; Davis Wright
Tremaine LLP

(57) **CLAIM**

The ornamental design for an edge punch, as shown and
described.

DESCRIPTION

FIG. 1 is a perspective view of an edge punch of the present
invention, in which the two end segments are raised in an
angled position;

FIG. 2 is a rear view thereof;

FIG. 3 is a front view thereof;

FIG. 4 is a left side view thereof;

FIG. 5 is a right side view thereof;

FIG. 6 is a top view thereof;

FIG. 7 is a bottom view thereof;

FIG. 8 is a perspective view thereof, in which the two end
segments are in a flat position;

FIG. 9 is a rear view thereof;

FIG. 10 is a front view thereof;

FIG. 11 is a left side view thereof;

FIG. 12 is a right side view thereof;

FIG. 13 is a top view thereof;

FIG. 14 is a bottom view thereof;

FIG. 15 is a perspective view thereof, in which the two end
segments are raised in a vertical position;

FIG. 16 is a rear view thereof;

FIG. 17 is a front view thereof;

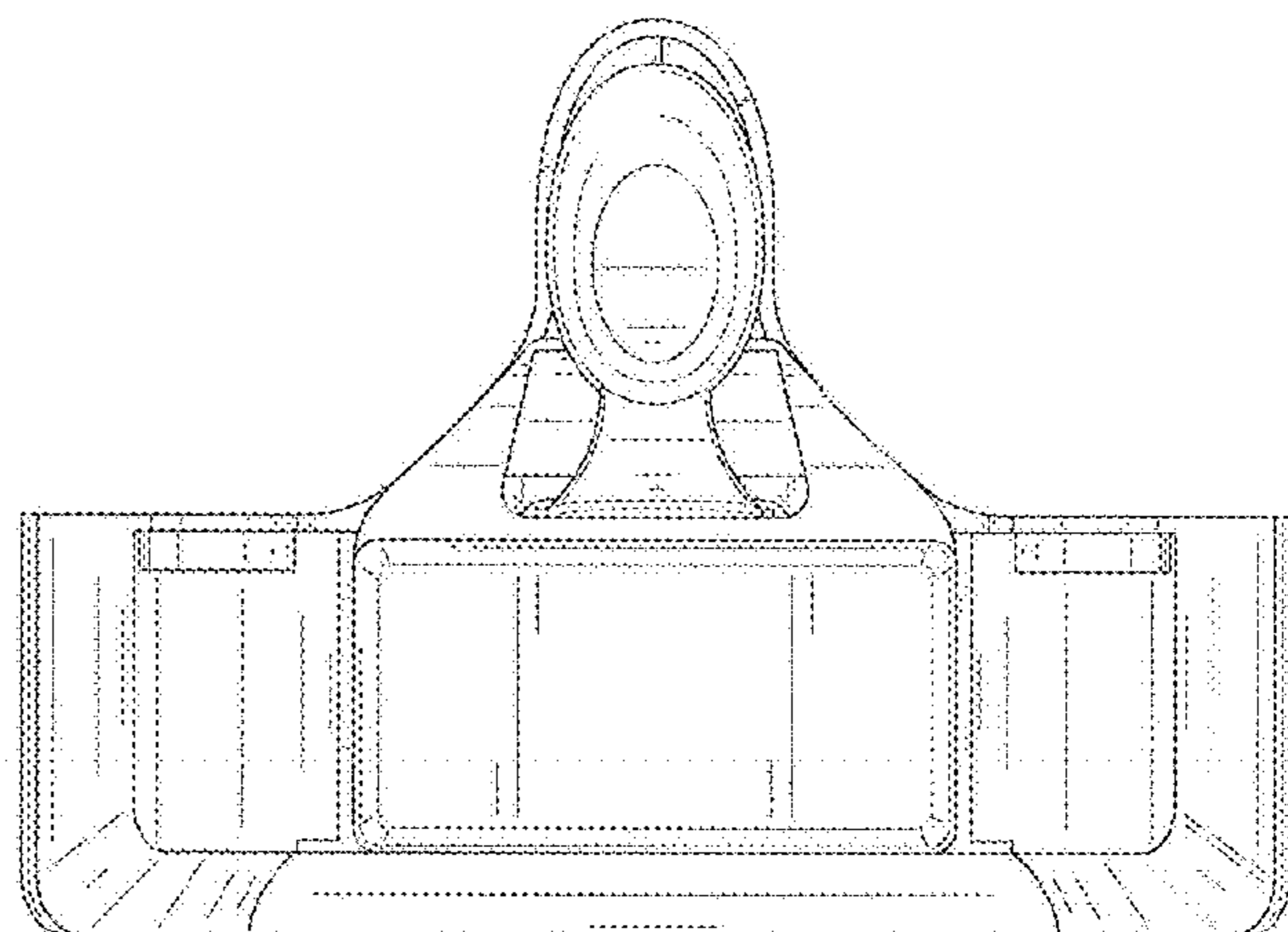
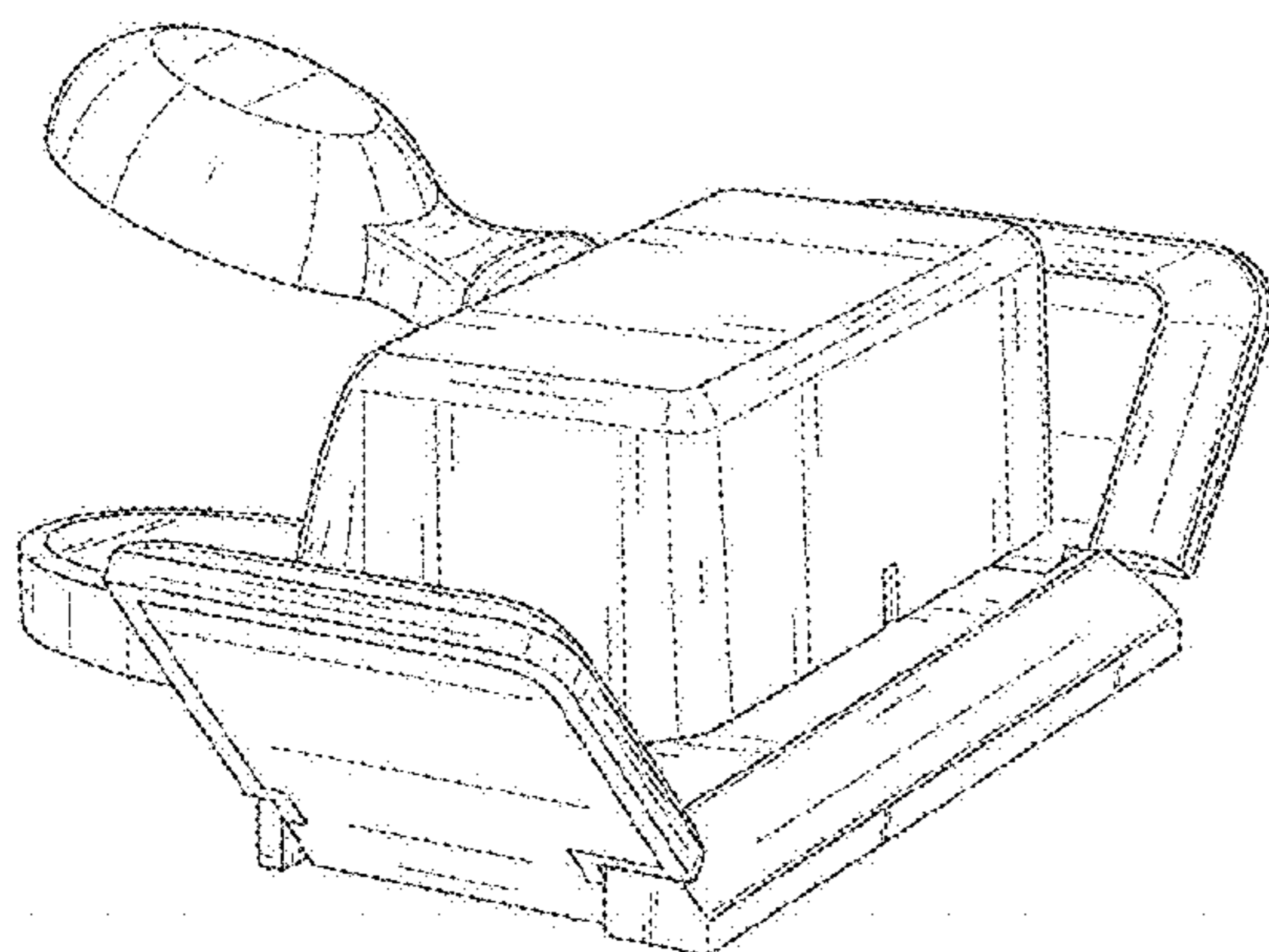
FIG. 18 is a left side view thereof;

FIG. 19 is a right side view thereof;

FIG. 20 is a top view thereof; and,

FIG. 21 is a bottom view thereof.

1 Claim, 21 Drawing Sheets



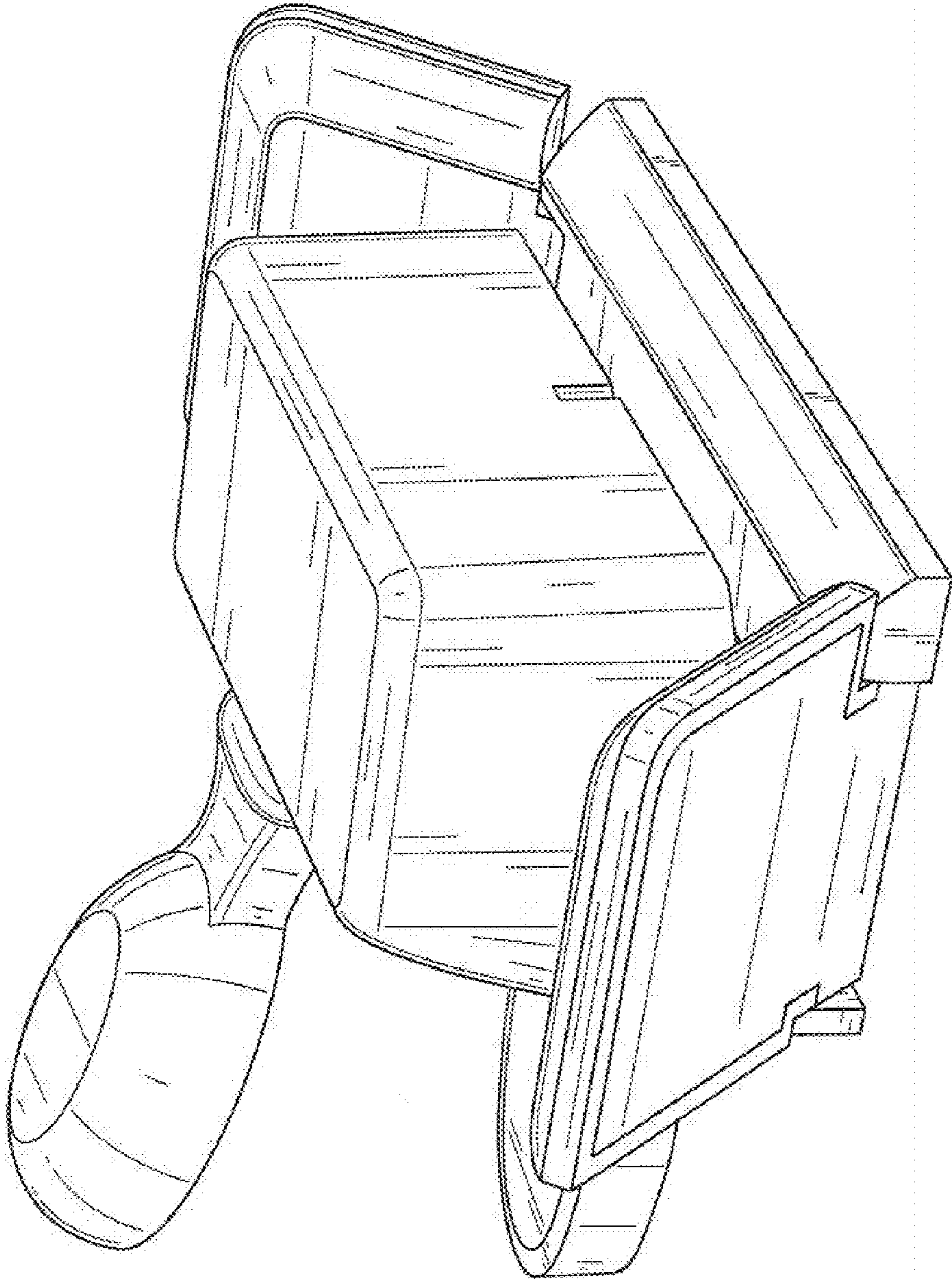


FIG. 1

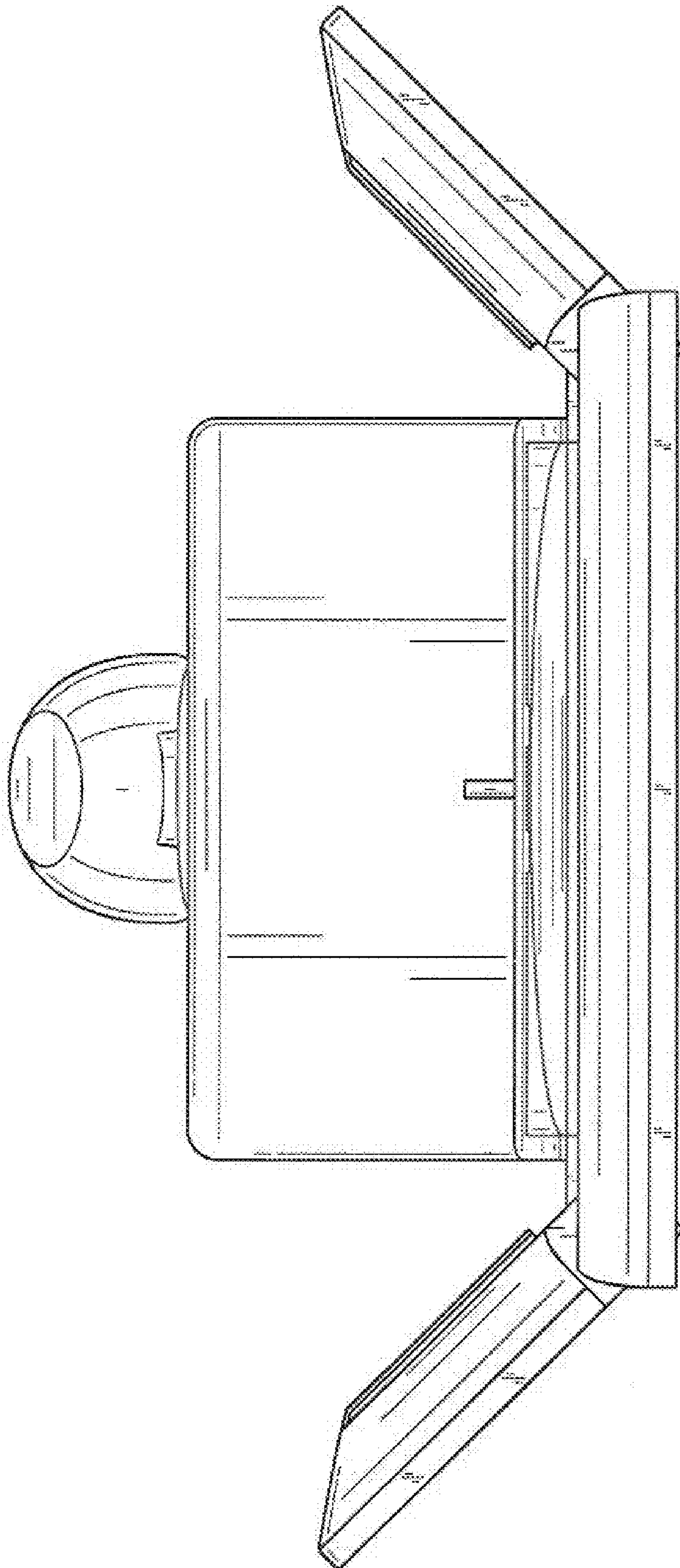


FIG. 2

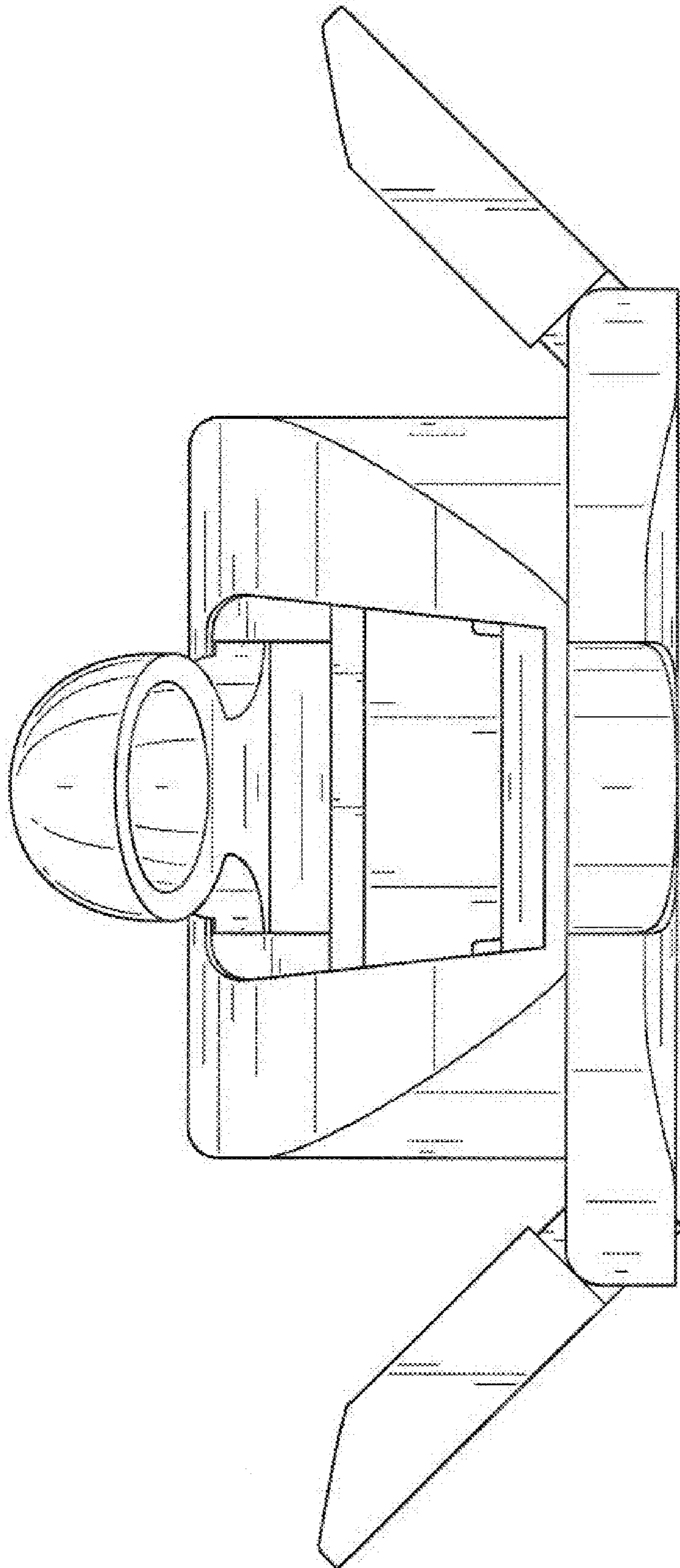


FIG. 3

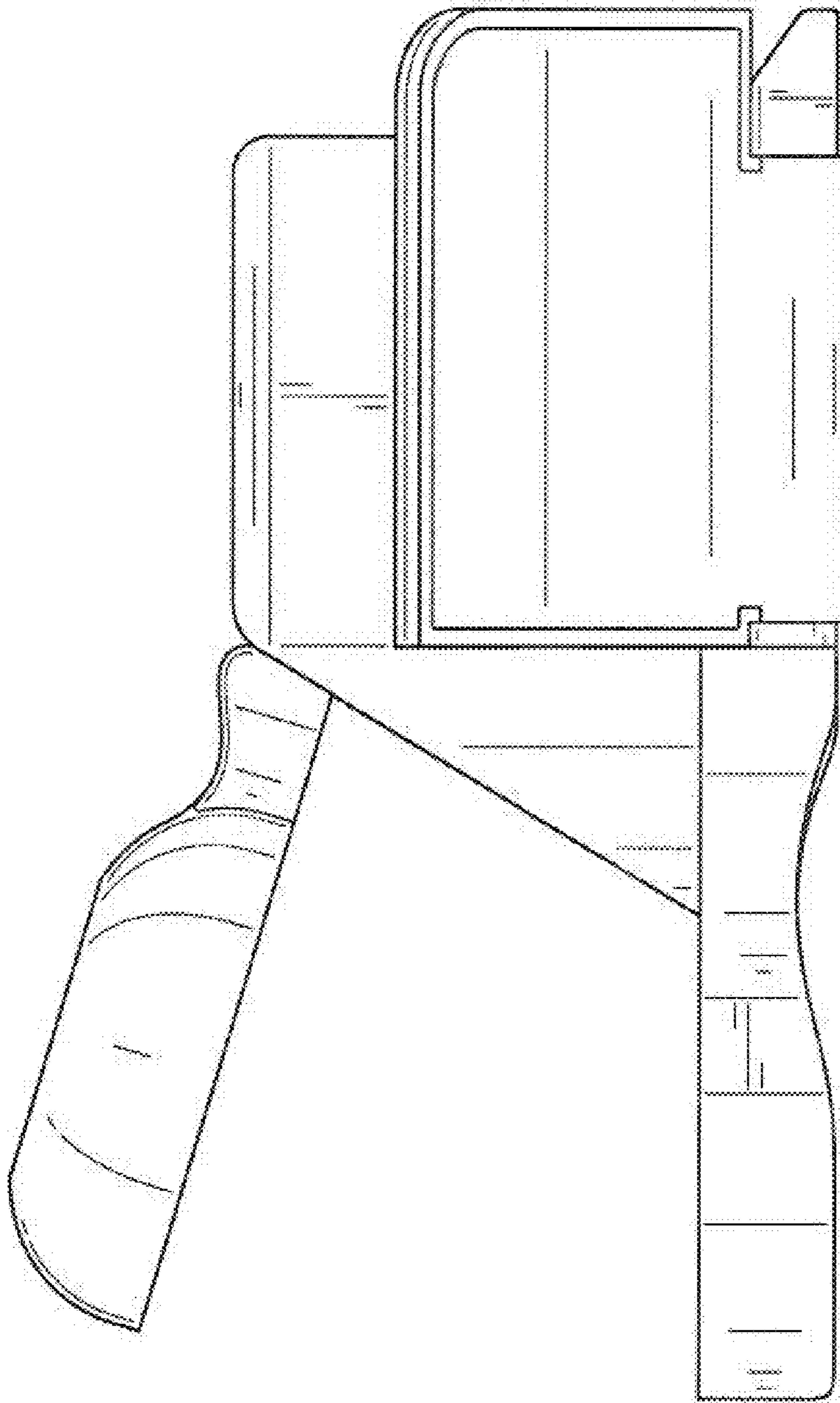


FIG. 4

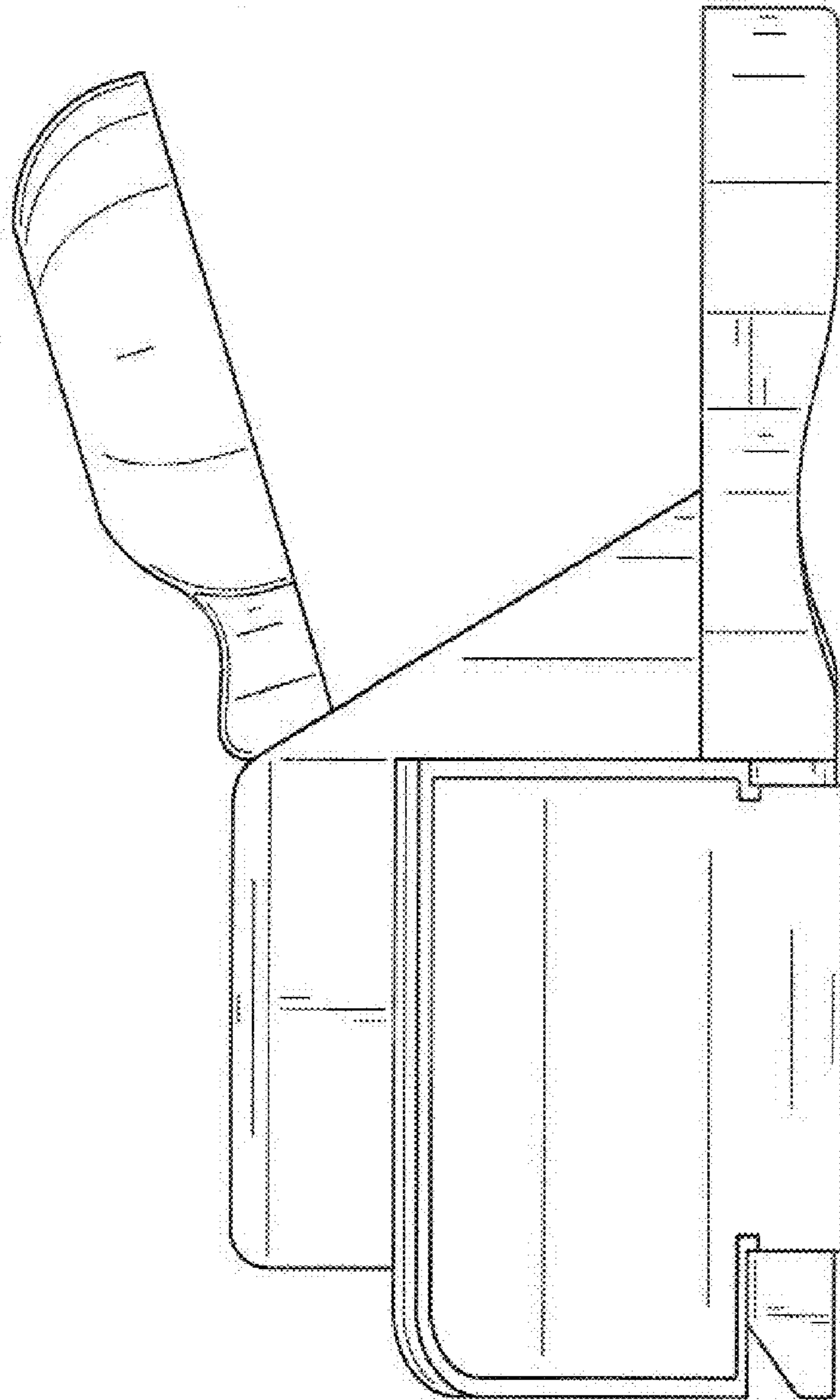


FIG. 5

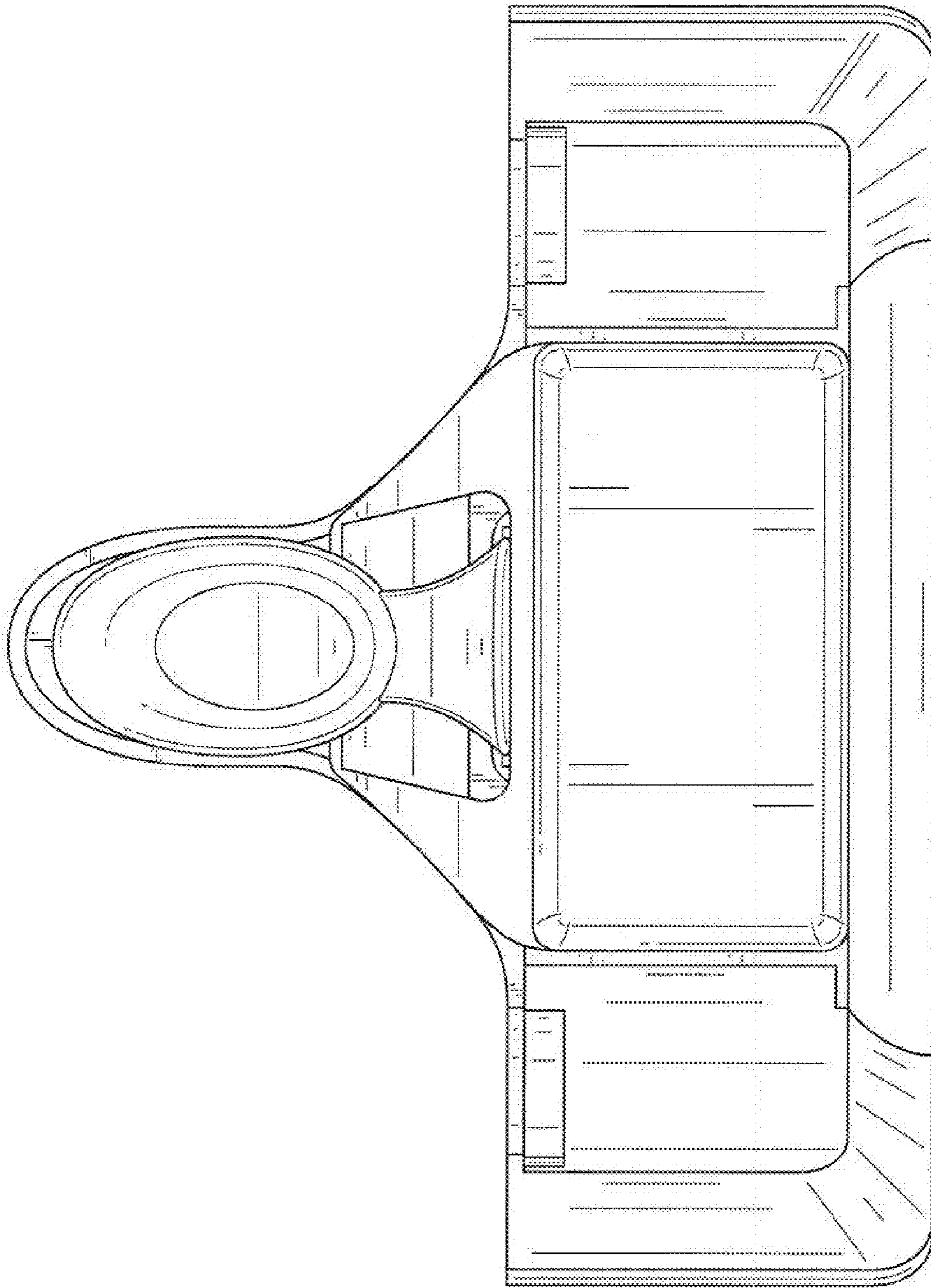


FIG. 6

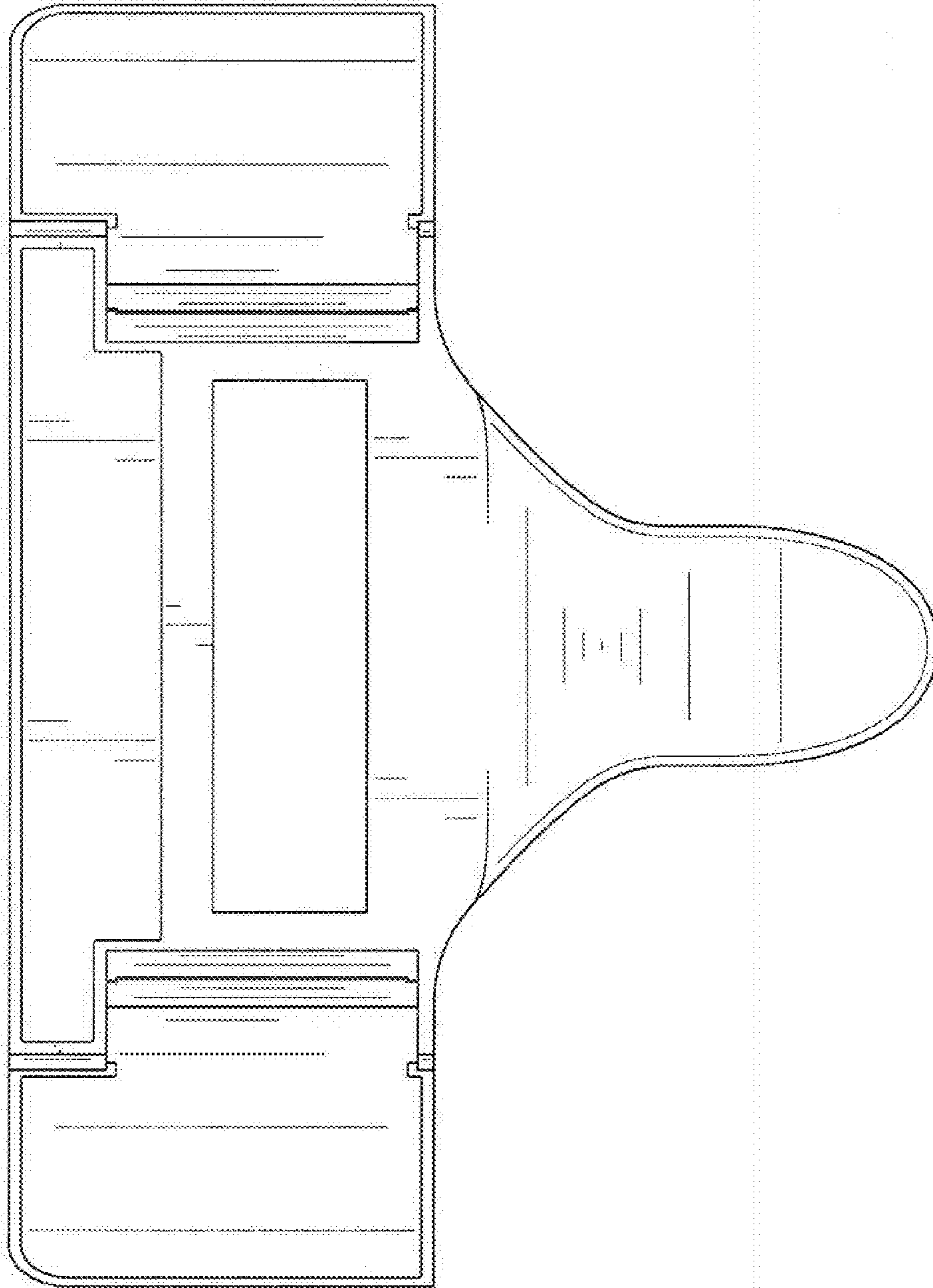


FIG. 7

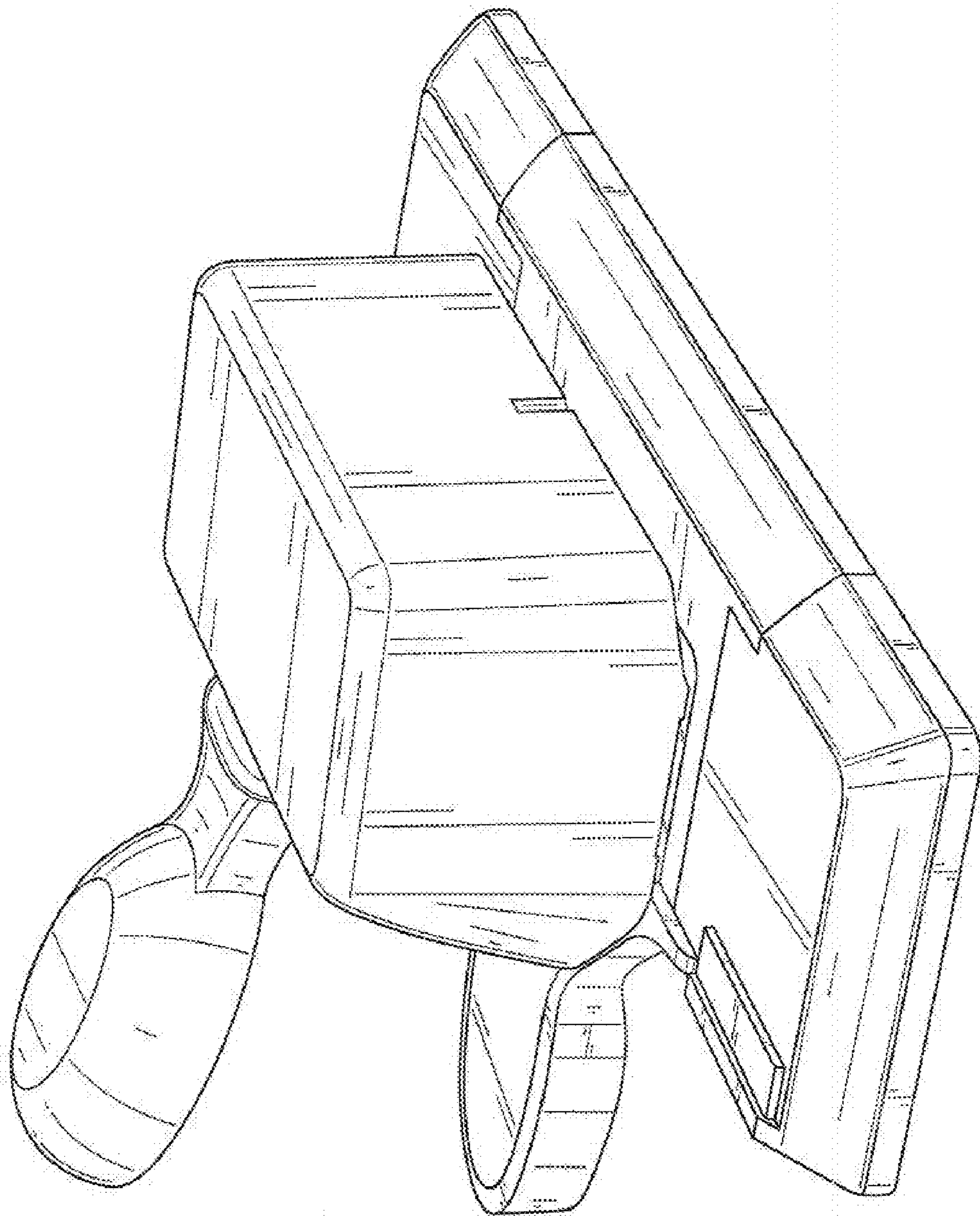


FIG. 8

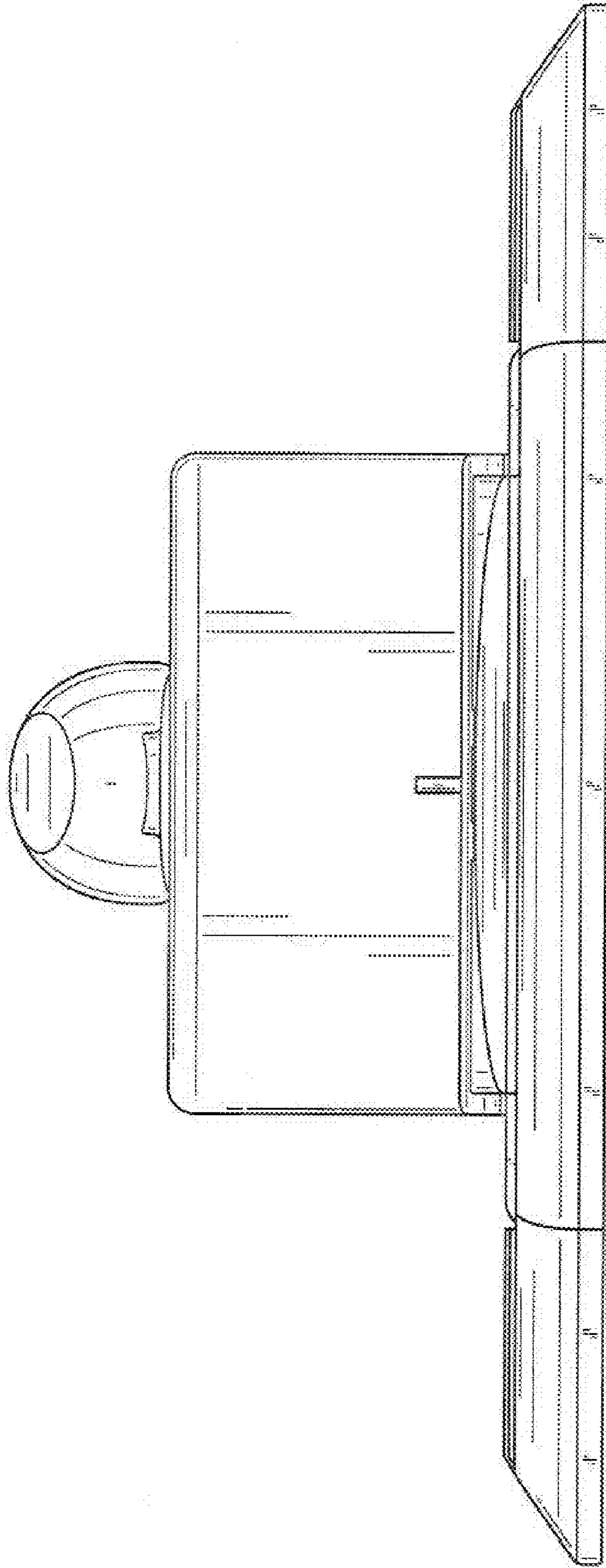


FIG. 9

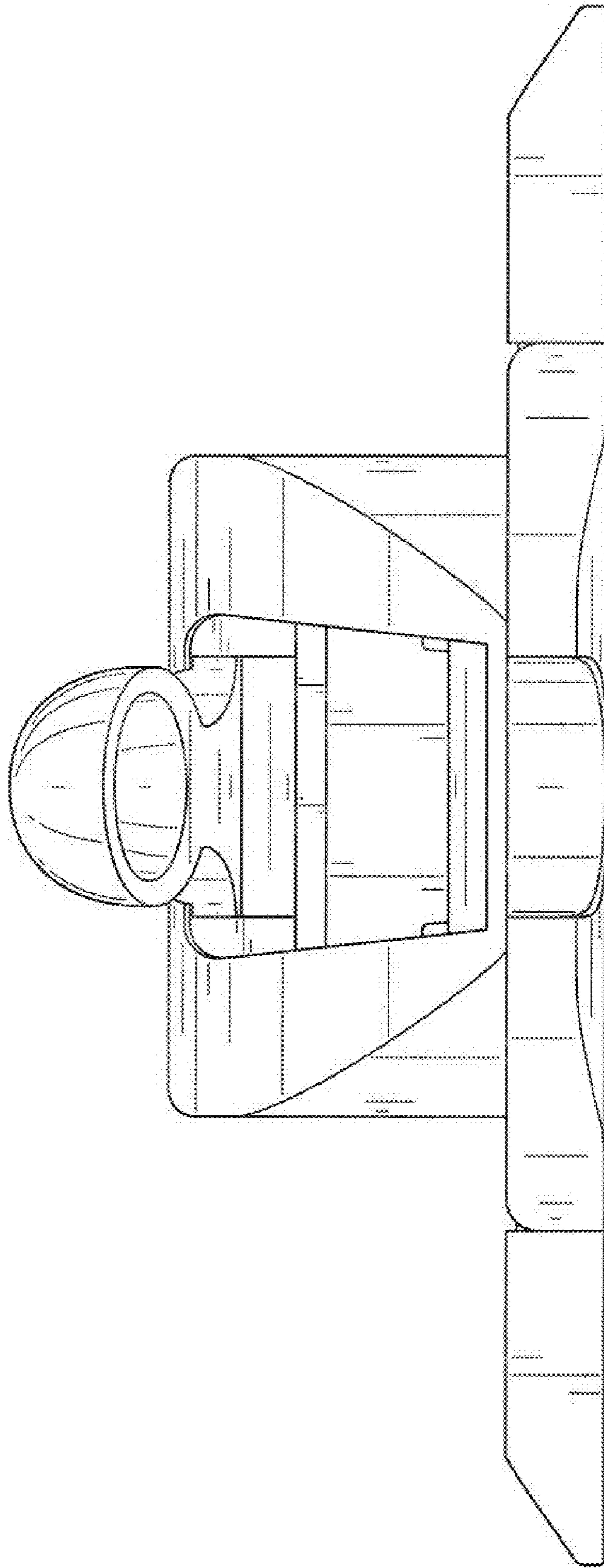


FIG. 10

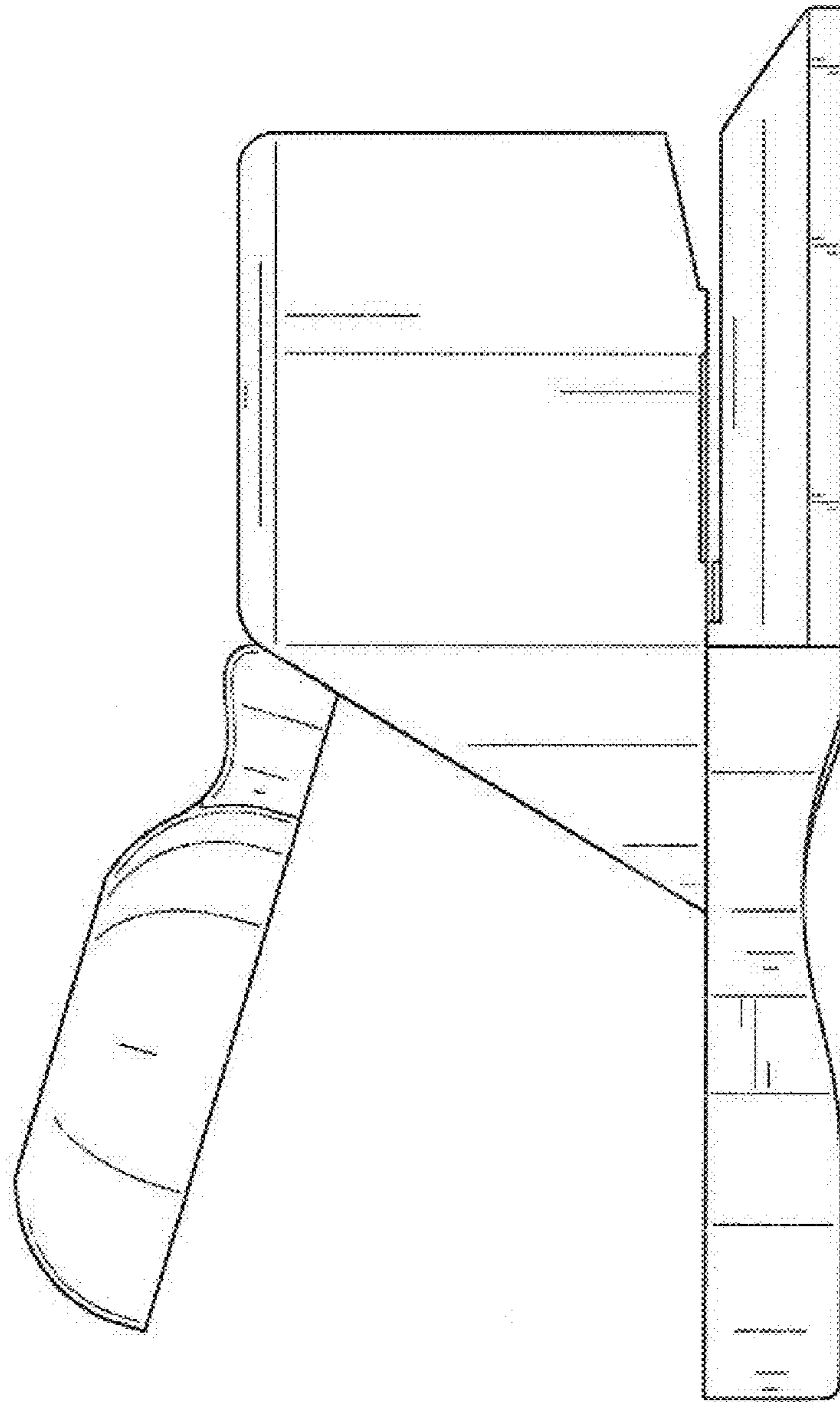


FIG. 11

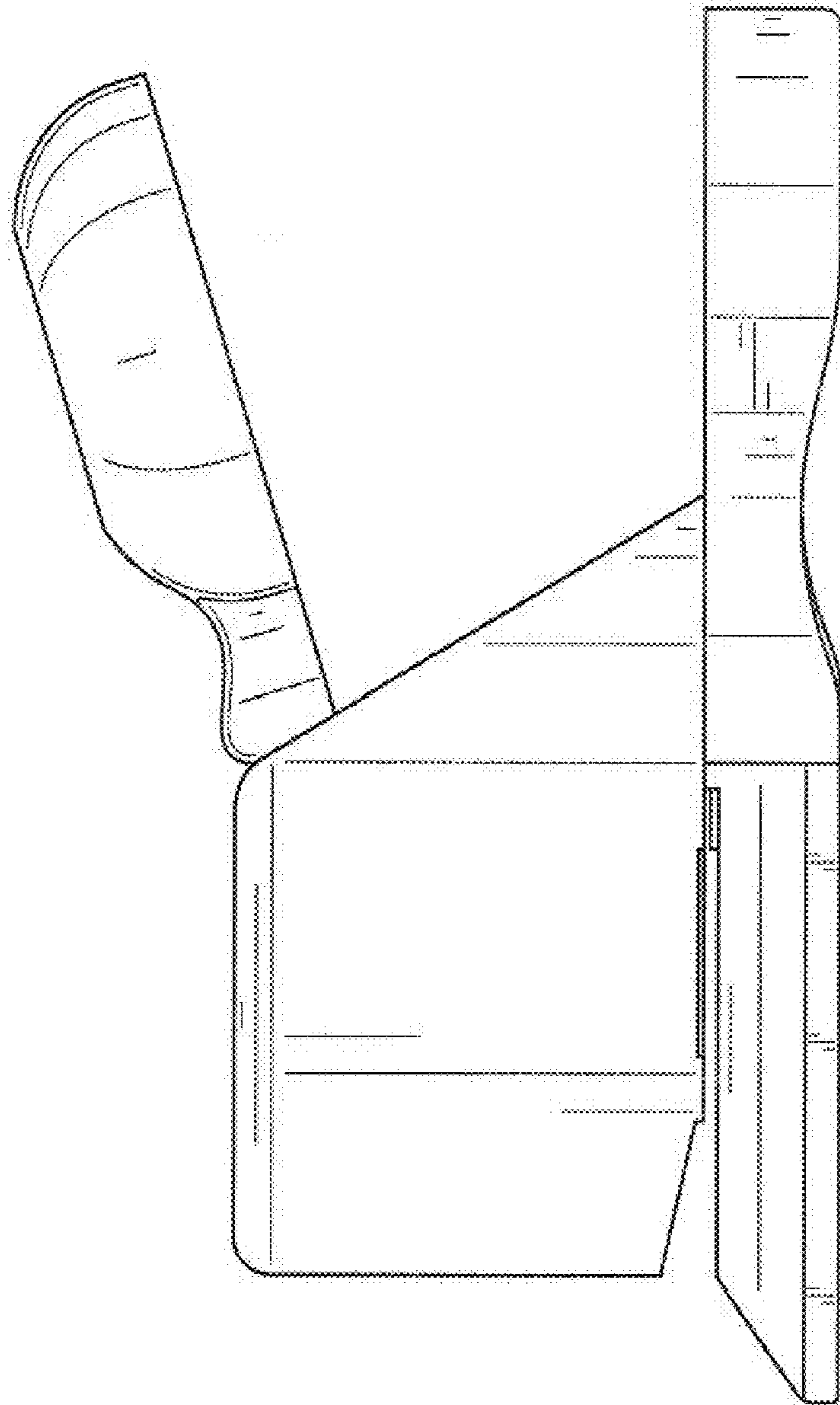


FIG. 12

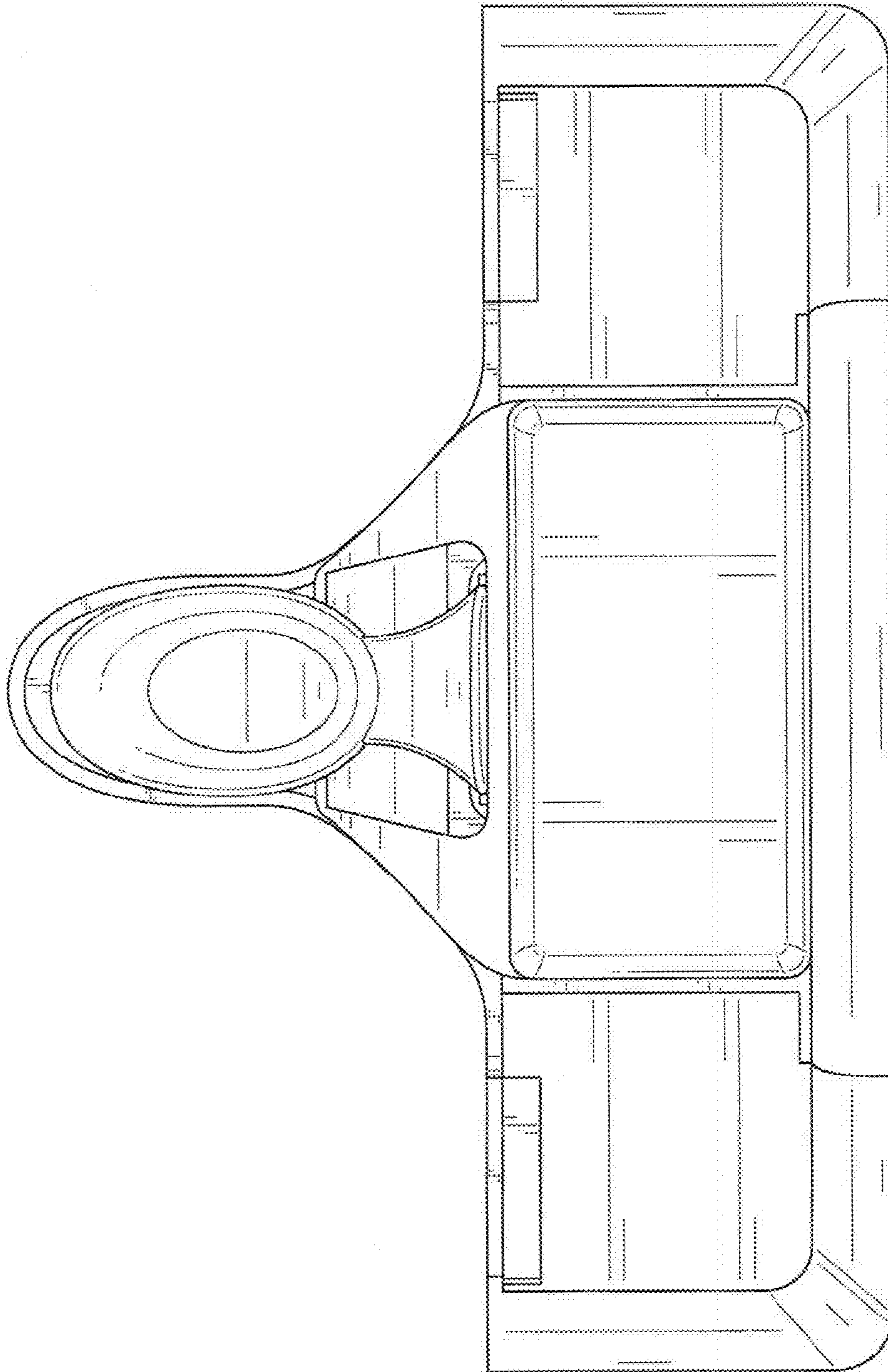


FIG. 13

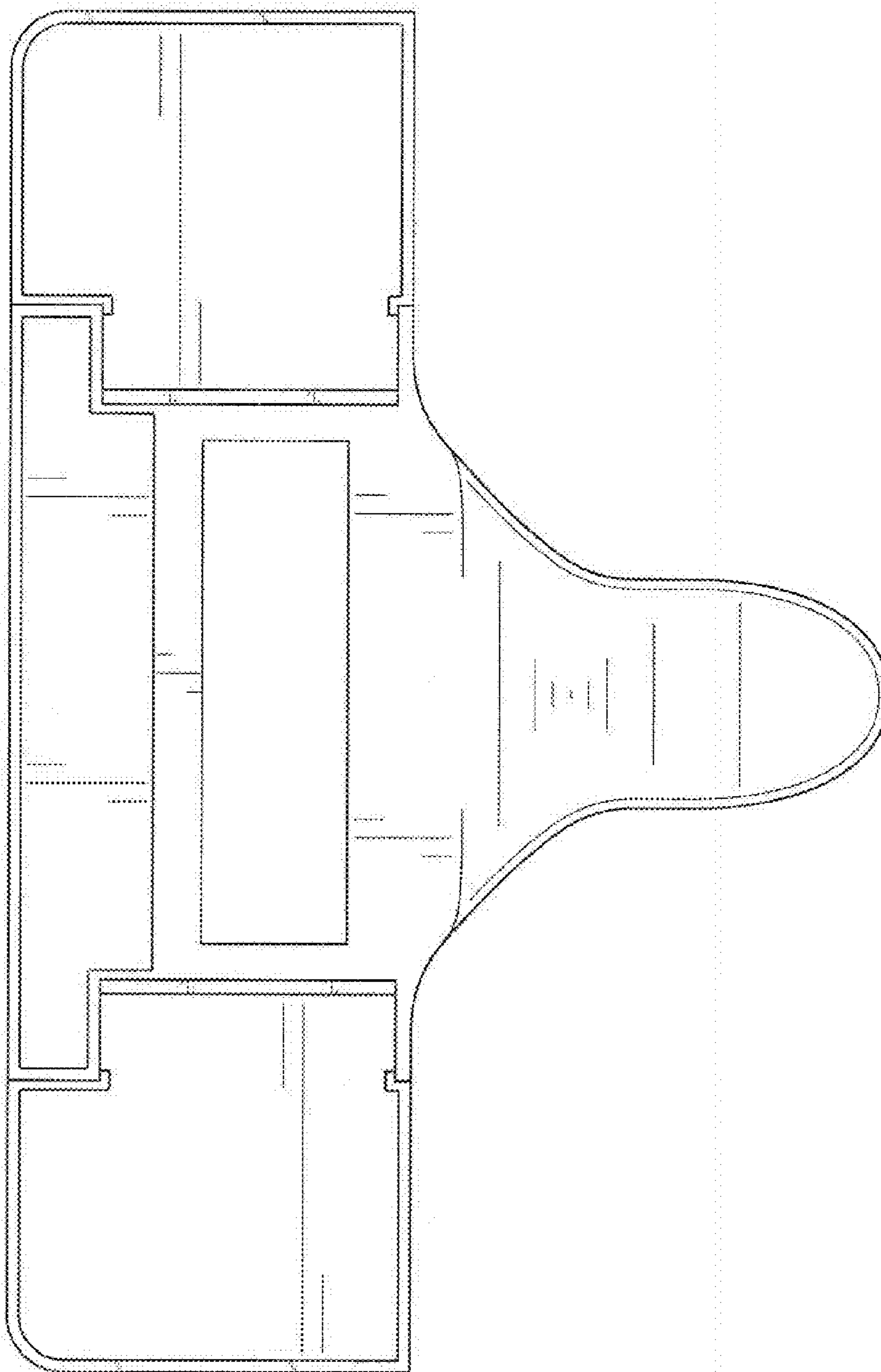


FIG. 14

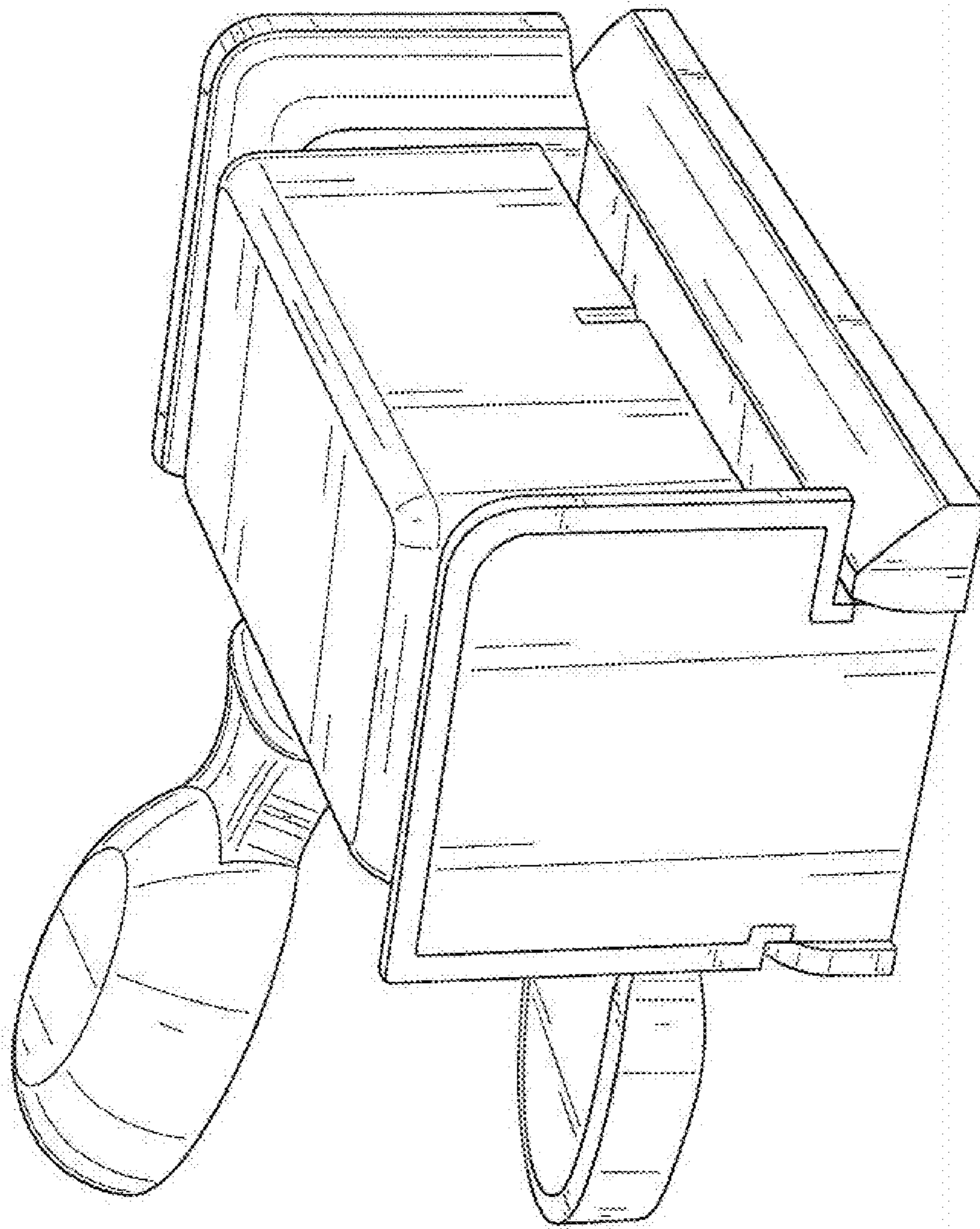


FIG. 15

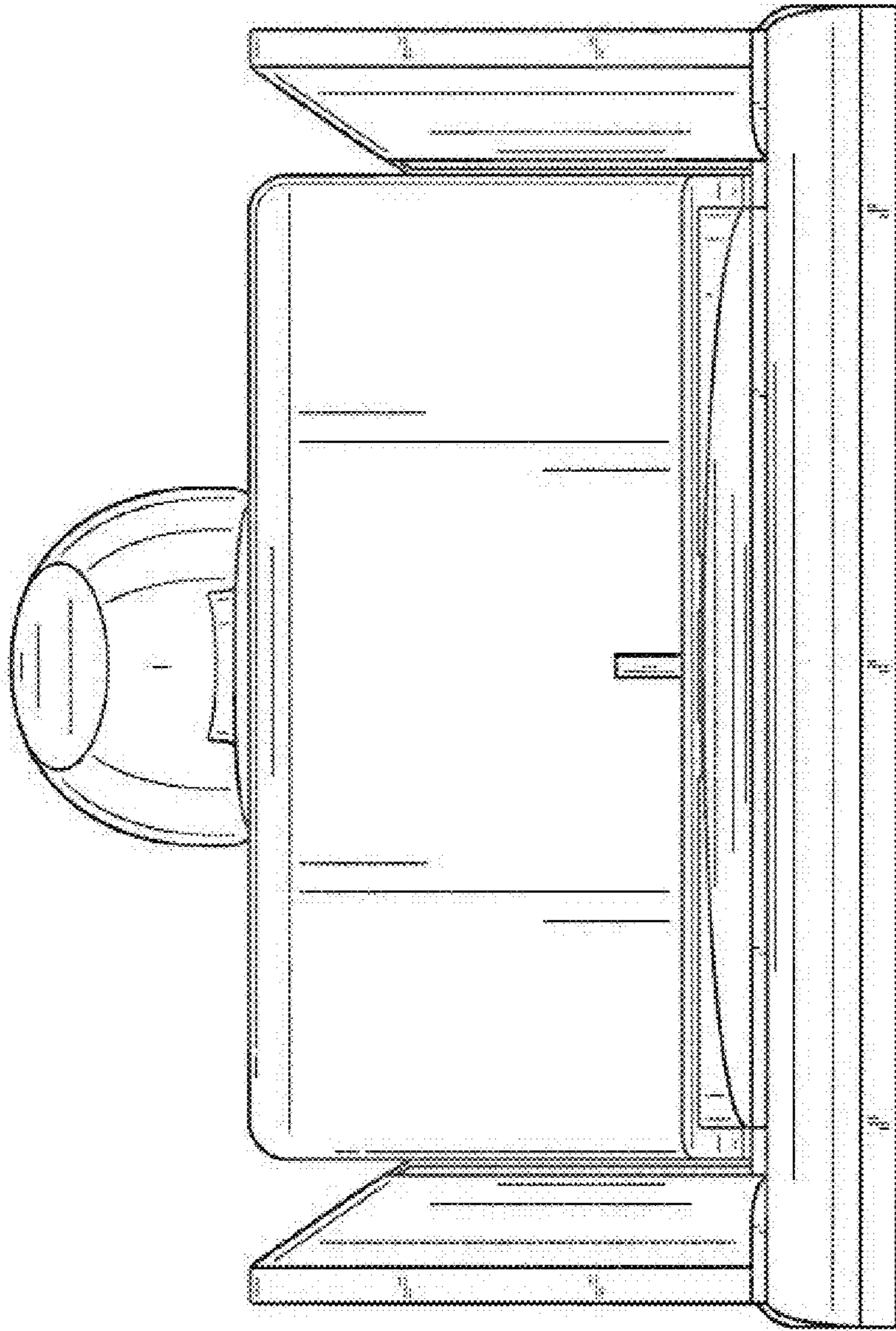


FIG. 16

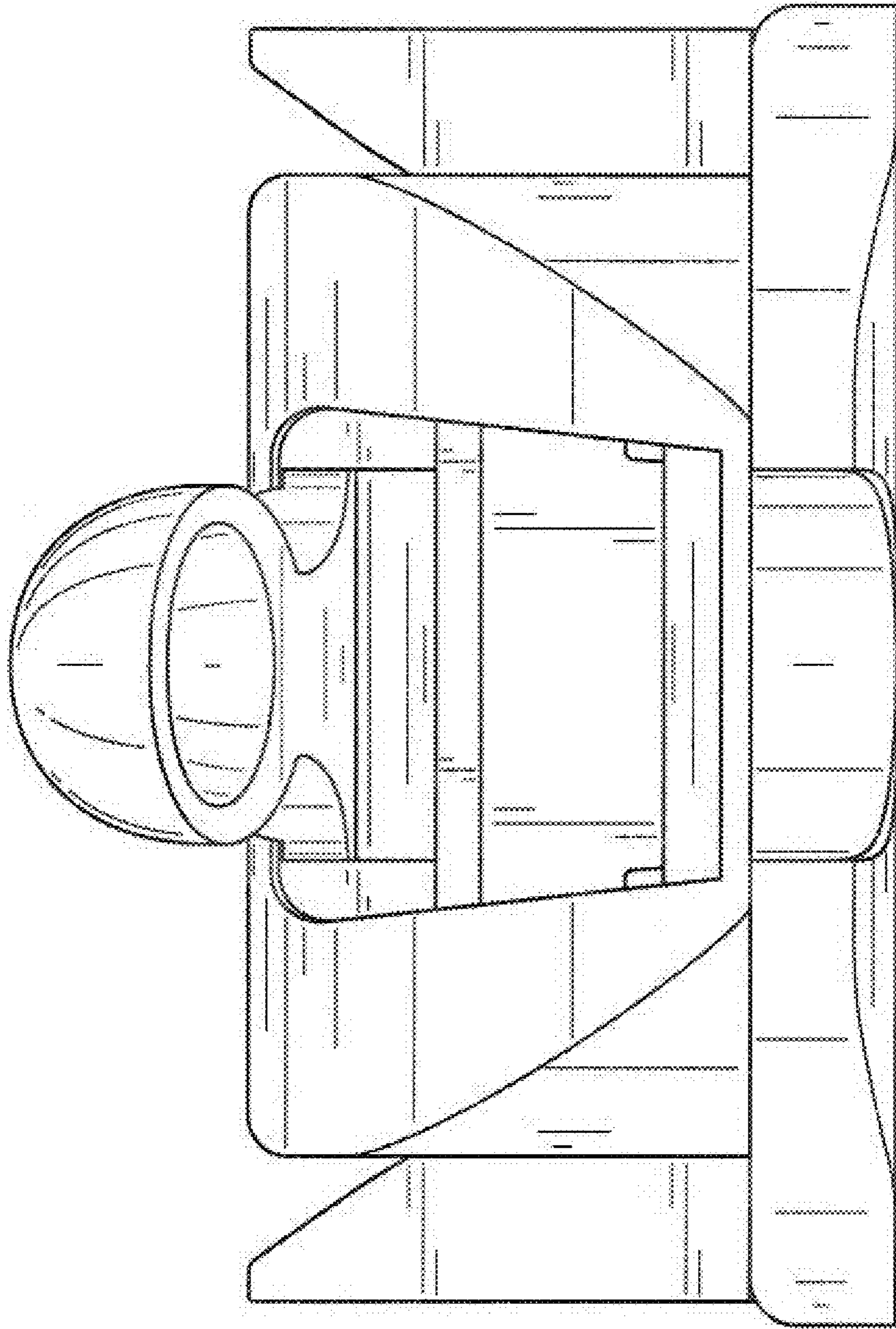


FIG. 17

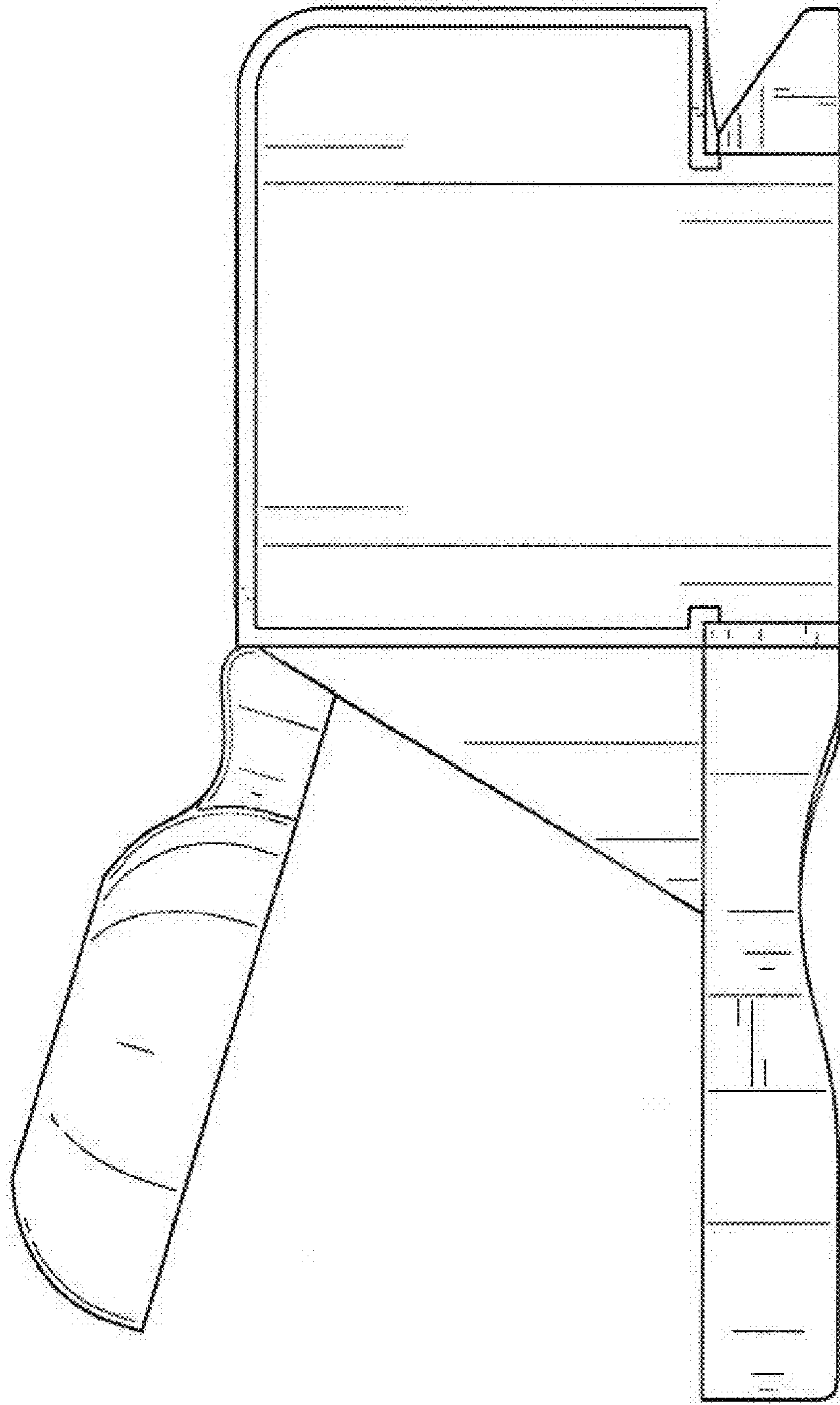


FIG. 18

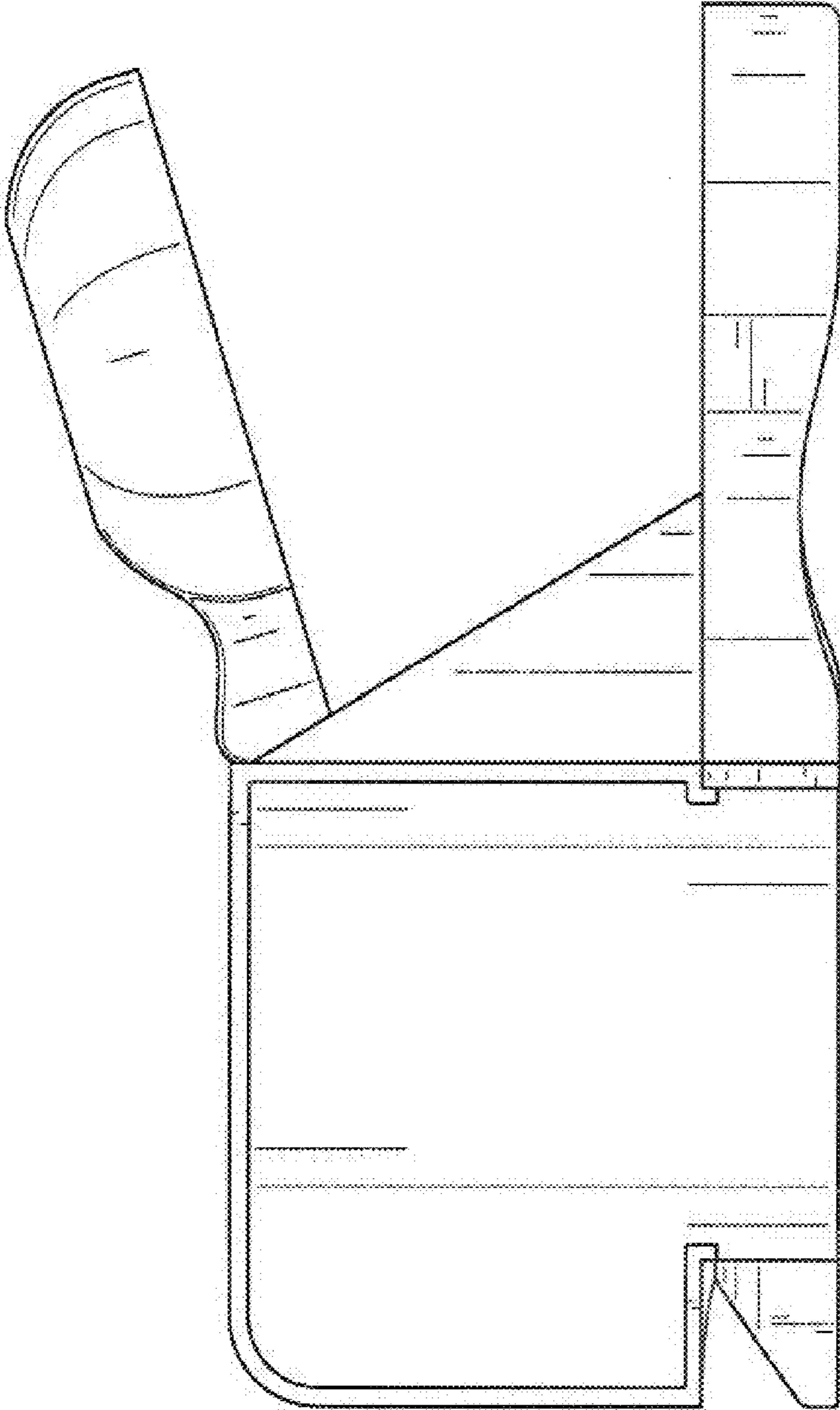


FIG. 19

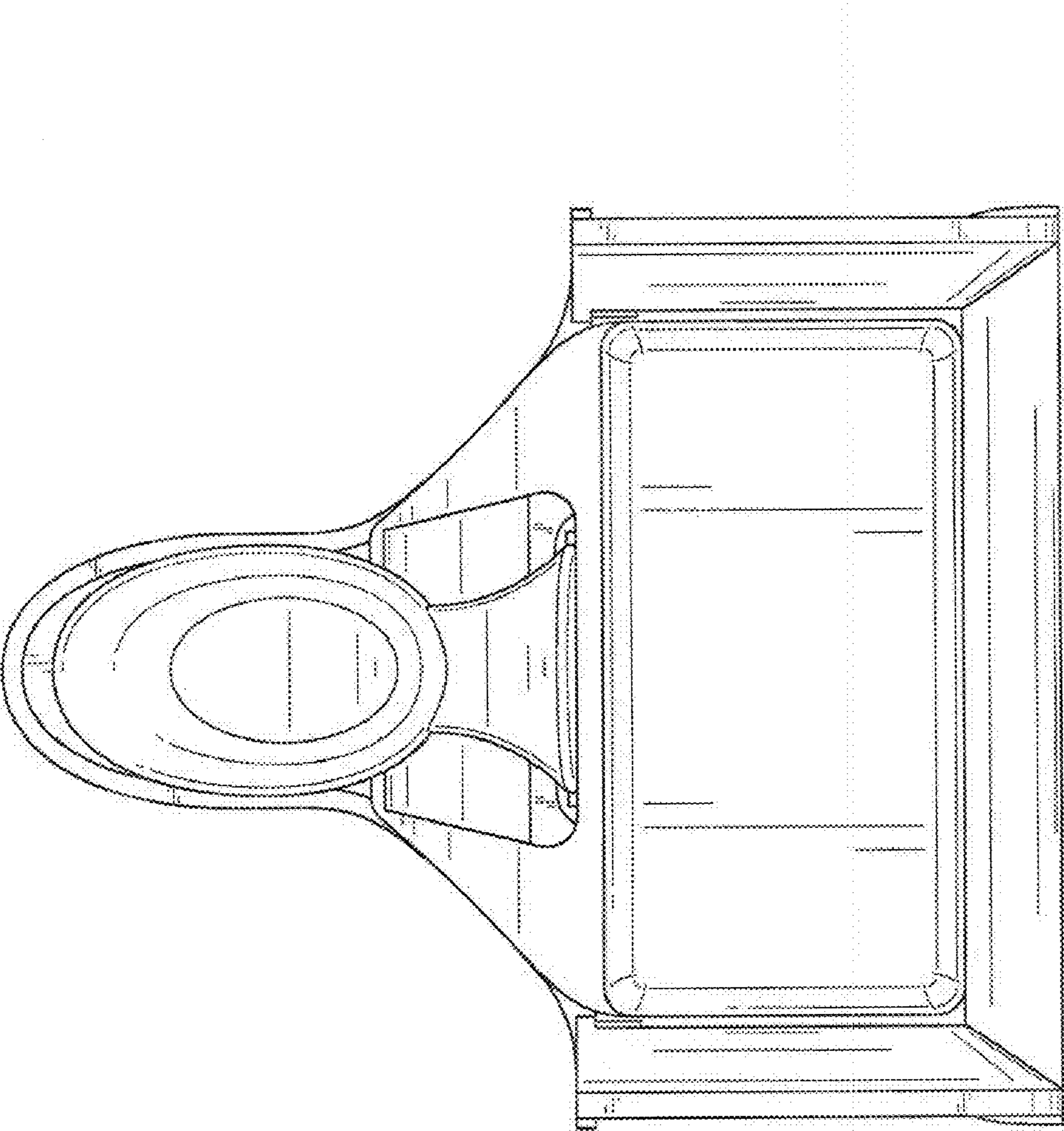


FIG. 20

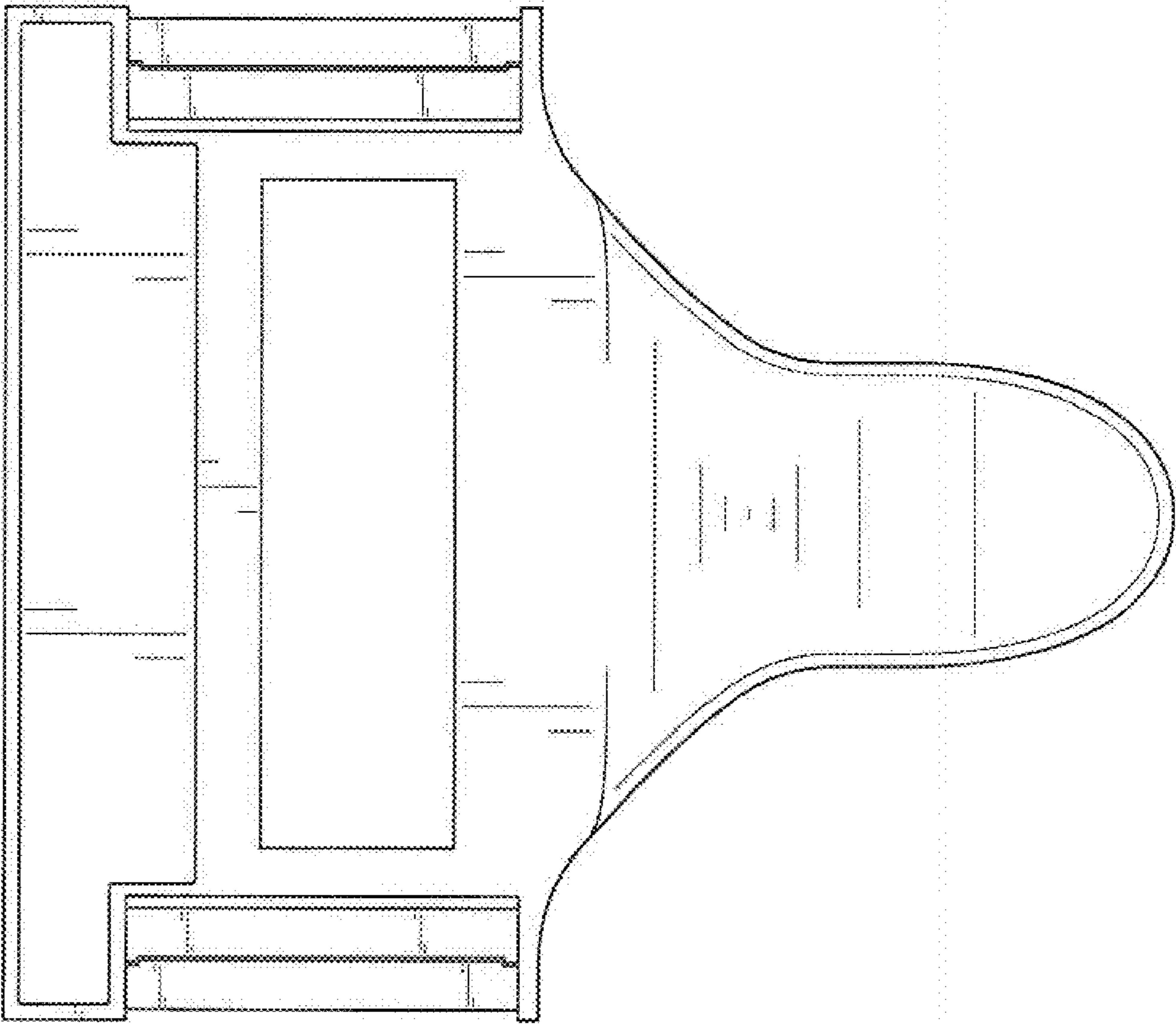


FIG. 21