



US00D611991S

(12) **United States Design Patent**
Slowey et al.

(10) **Patent No.:** **US D611,991 S**
(45) **Date of Patent:** **** *Mar. 16, 2010**

(54) **BODY FLUID TESTING CONSOLE**

(76) Inventors: **Paul D. Slowey**, 15720 NE. 31st Ave.,
Vancouver, WA (US) 98686; **James**
Wickstead, 185 Ridgedale Ave., Cedar
Knolls, NJ (US) 07927; **Keith Seritella**,
14 Deer Run, Washington, NJ (US)
07882; **Michael Beaubien**, 155 Biddle
Ave., Wyandotte, MI (US) 48192

(*) Notice: This patent is subject to a terminal dis-
claimer.

(**) Term: **14 Years**

(21) Appl. No.: **29/239,488**

(22) Filed: **Sep. 30, 2005**

(51) **LOC (9) Cl.** **19-07**

(52) **U.S. Cl.** **D19/59**

(58) **Field of Classification Search** D24/107-108,
D24/133, 137, 164, 168-169, 186-187, 216,
D24/223, 231-232; D10/57, 81, 103; 604/317,
604/322, 356; 422/82.12, 99-104; 374/158,
374/183, 210; 600/349, 412, 438, 549; 607/21;
128/639, 662, 663, 670, 687

See application file for complete search history.

(56) **References Cited**

U.S. PATENT DOCUMENTS

3,946,613	A *	3/1976	Silver	374/183
4,008,614	A *	2/1977	Turner et al.	374/158
D254,723	S *	4/1980	Lawrence et al.	D10/57
D255,997	S *	7/1980	Maeda	D10/57
D293,215	S *	12/1987	Bruno et al.	D10/103
4,943,522	A	7/1990	Eisinger et al.		
5,238,652	A	8/1993	Sun et al.		
D354,921	S *	1/1995	Narayanan	D10/81
D369,864	S *	5/1996	Petersen	D24/169
D375,792	S *	11/1996	Hillman et al.	D24/186
D395,609	S *	6/1998	Knieriem et al.	D10/57
D414,870	S *	10/1999	Saltzstein et al.	D24/186
6,027,943	A	2/2000	Kang et al.		
6,046,058	A	4/2000	Sun		

6,187,598	B1	2/2001	May et al.		
6,267,722	B1	7/2001	Anderson et al.		
D447,569	S *	9/2001	Baily et al.	D24/186
D452,012	S *	12/2001	Phillips	D24/186
6,423,550	B1	7/2002	Jenkins et al.		
6,468,474	B2	10/2002	Bachand et al.		
6,627,152	B1	9/2003	Wong		
D481,459	S *	10/2003	Nahm	D24/186
6,653,139	B1	11/2003	Braun et al.		
6,702,988	B1	3/2004	Sagona et al.		
D502,655	S *	3/2005	Huang	D10/81

(Continued)

OTHER PUBLICATIONS

Cozart, *Cozart Rapiscan, CozarT DDS*, published Pre-2004.

(Continued)

Primary Examiner—T. Chase Nelson
Assistant Examiner—Mark Cavanna
(74) *Attorney, Agent, or Firm*—Rylander & Associates PC;
Kurt M. Rylander; Marie E. Beatty

(57) **CLAIM**

The ornamental design for a body fluid testing console, as
shown and described.

DESCRIPTION

FIG. 1 is a perspective view of a body fluid testing console
showing my new design;

FIG. 2 is a front view thereof;

FIG. 3 is a rear view thereof;

FIG. 4 is a side view thereof;

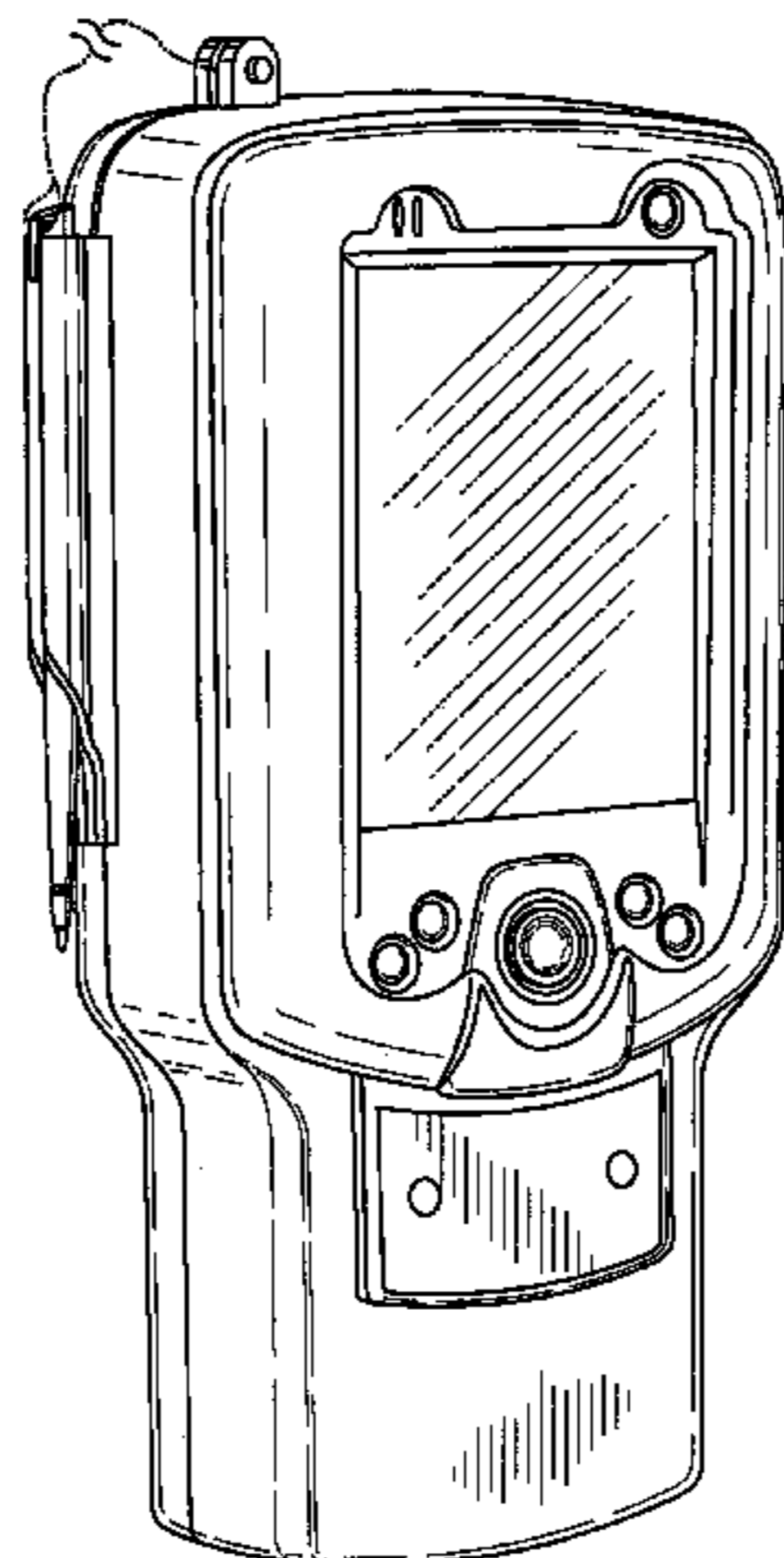
FIG. 5 is an opposite side thereof;

FIG. 6 is a top view thereof; and,

FIG. 7 is a bottom thereof.

The broken lines shown are included for the purpose of illus-
trating portions of the body fluid testing console that form no
part of the claimed design.

1 Claim, 4 Drawing Sheets



US D611,991 S

Page 2

U.S. PATENT DOCUMENTS

7,070,920 B2 7/2006 Spivey et al.
D535,202 S * 1/2007 Sisk et al. D10/57
D537,164 S * 2/2007 Shigemori et al. D24/137
D545,438 S * 6/2007 Huang et al. D24/186
D547,454 S * 7/2007 Hsieh D24/186
D548,626 S * 8/2007 Sisk et al. D10/57
D549,830 S * 8/2007 Behar et al. D24/186
D550,364 S * 9/2007 Glover et al. D24/186
D551,350 S * 9/2007 Lorimer et al. D24/186
D562,985 S * 2/2008 Brefka et al. D24/186
D567,125 S * 4/2008 Okabe et al. D24/169
D569,001 S * 5/2008 Omaki D24/186

D569,521 S * 5/2008 Omaki D24/186
D590,509 S * 4/2009 Costa D24/186
2001/0008614 A1 7/2001 Aronowitz
2001/0034068 A1 10/2001 Spivey et al.
2003/0064526 A1 4/2003 Niedbala et al.

OTHER PUBLICATIONS

Meridian BioScience, *ImmunoCard*, published Pre-2004.
OraSure Tech., *OraQuick HIV 1/2*, published Pre-2004.
OraSure Tech, *QED Saliva Alcohol Test*, published Pre-2004.
Cozart BioScience, *RapiScan*, published Pre-2004.

* cited by examiner

Fig. 1

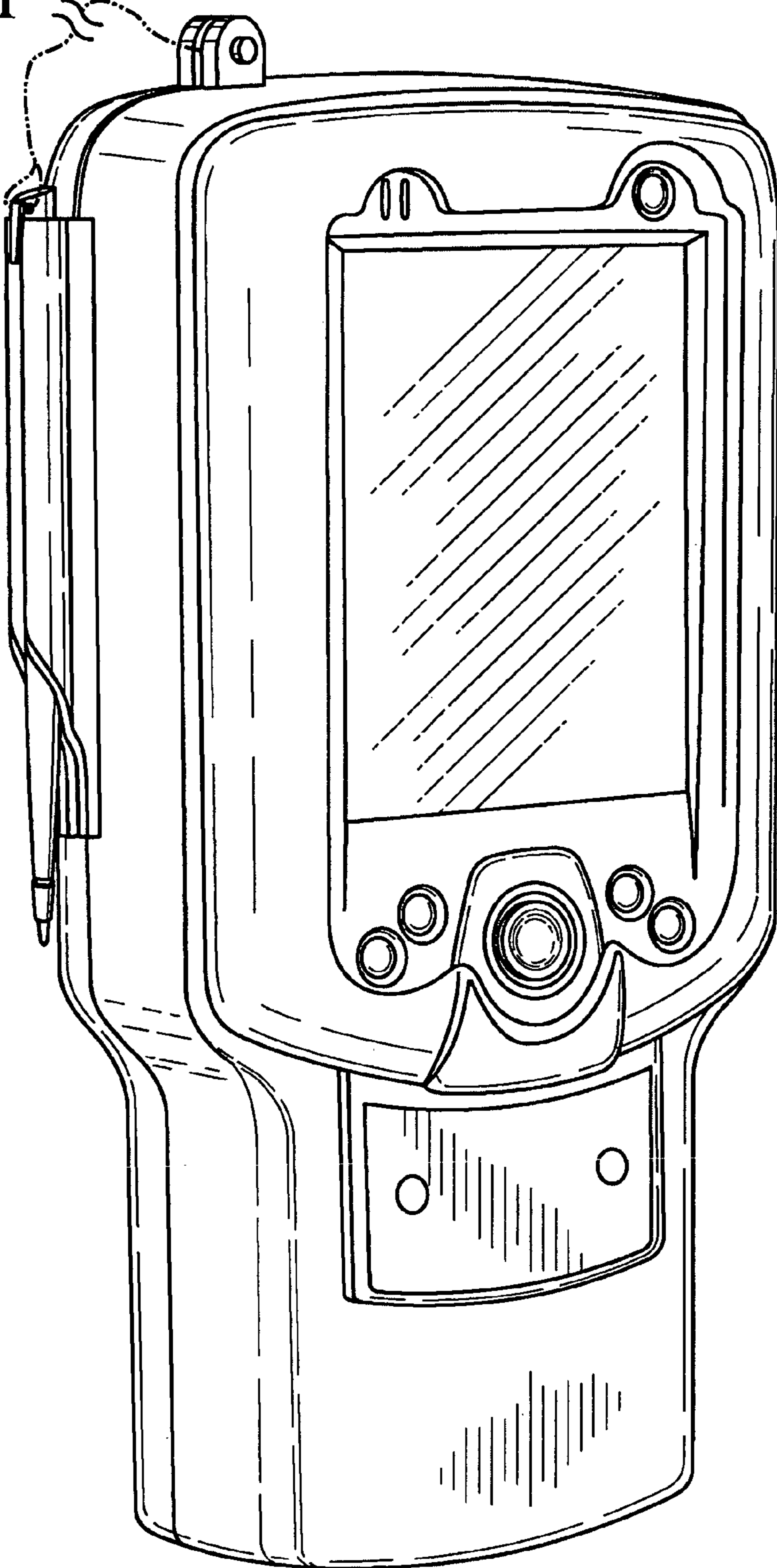


Fig. 2

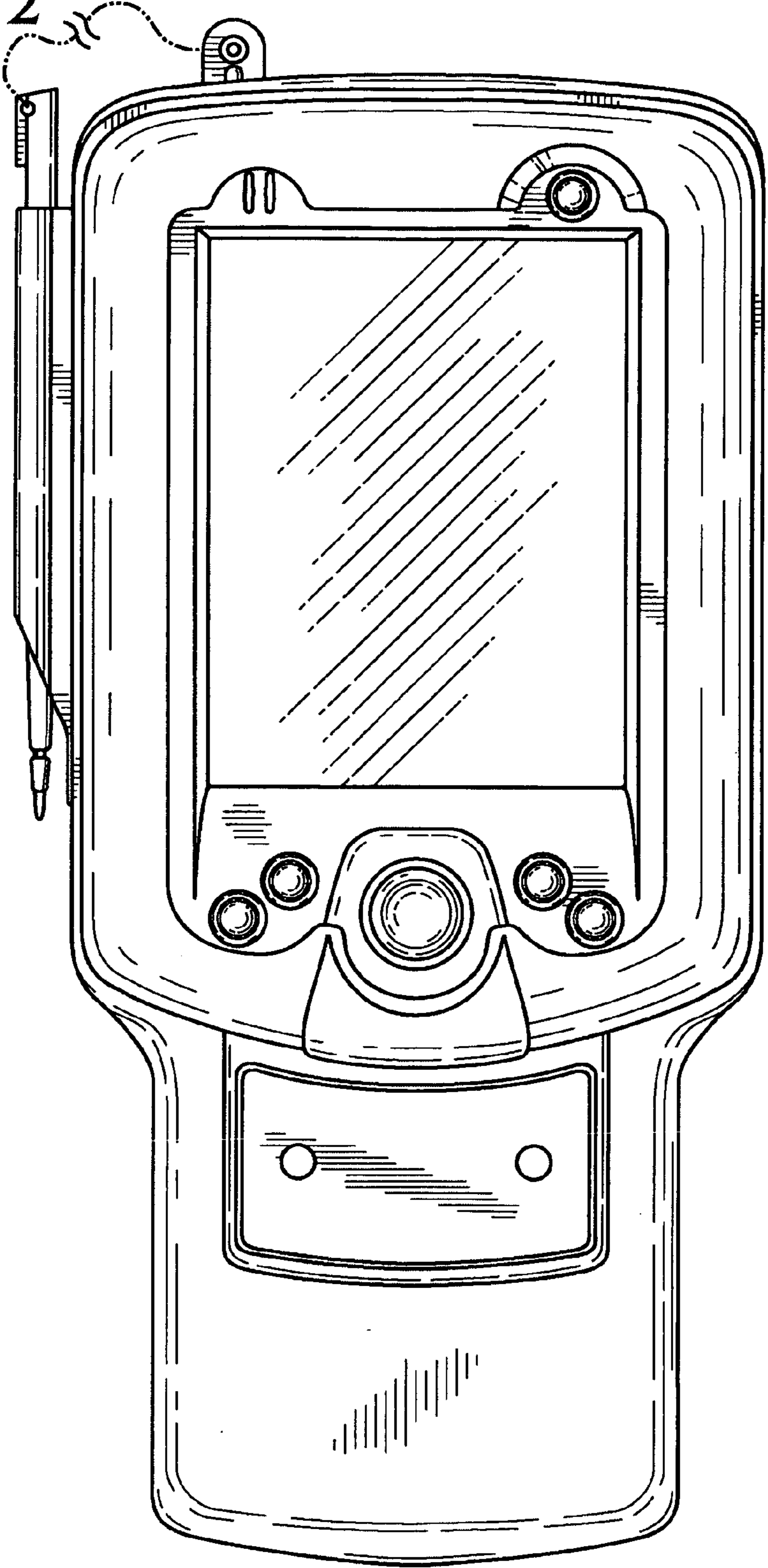


Fig. 3

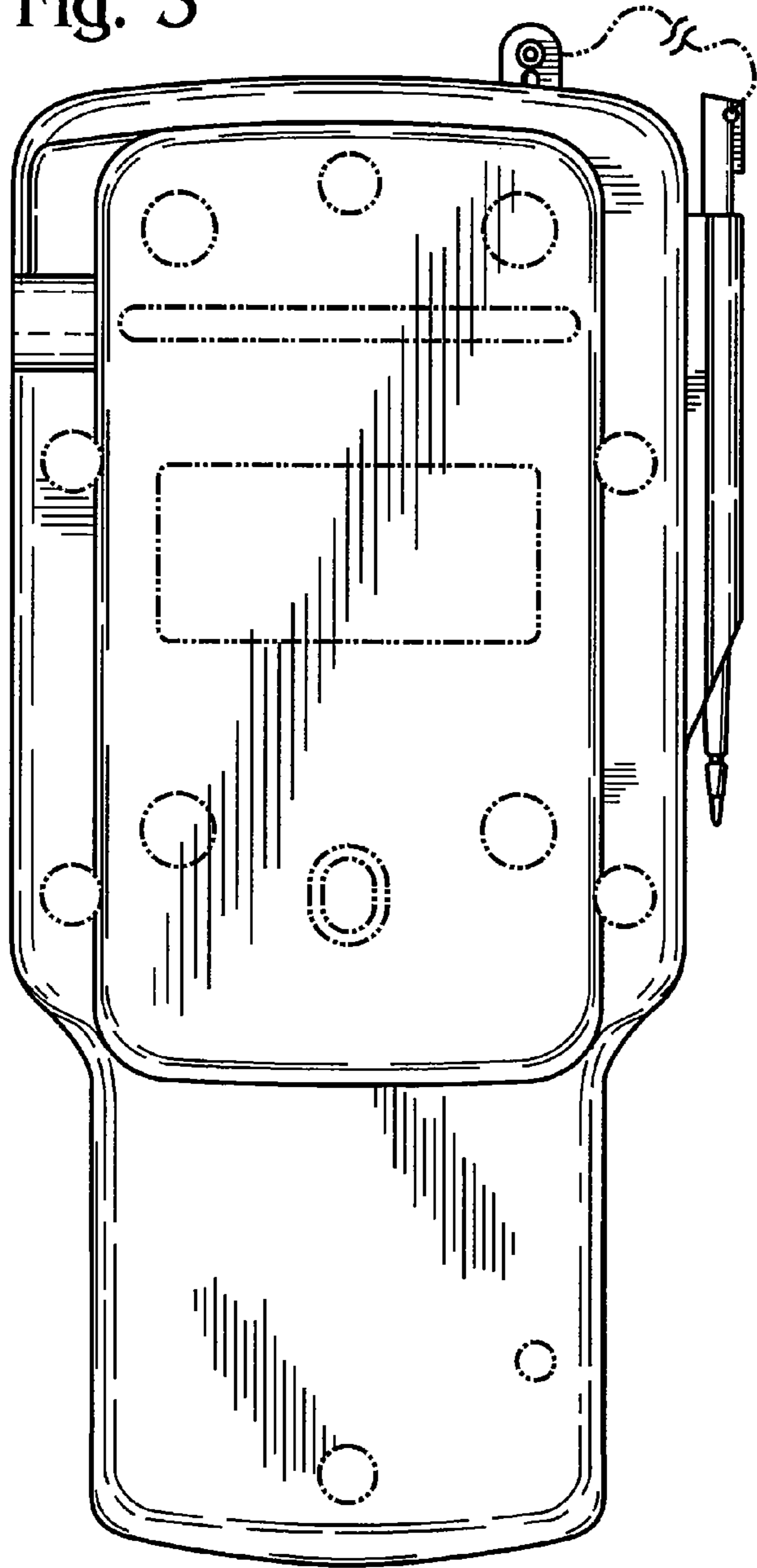


Fig. 4

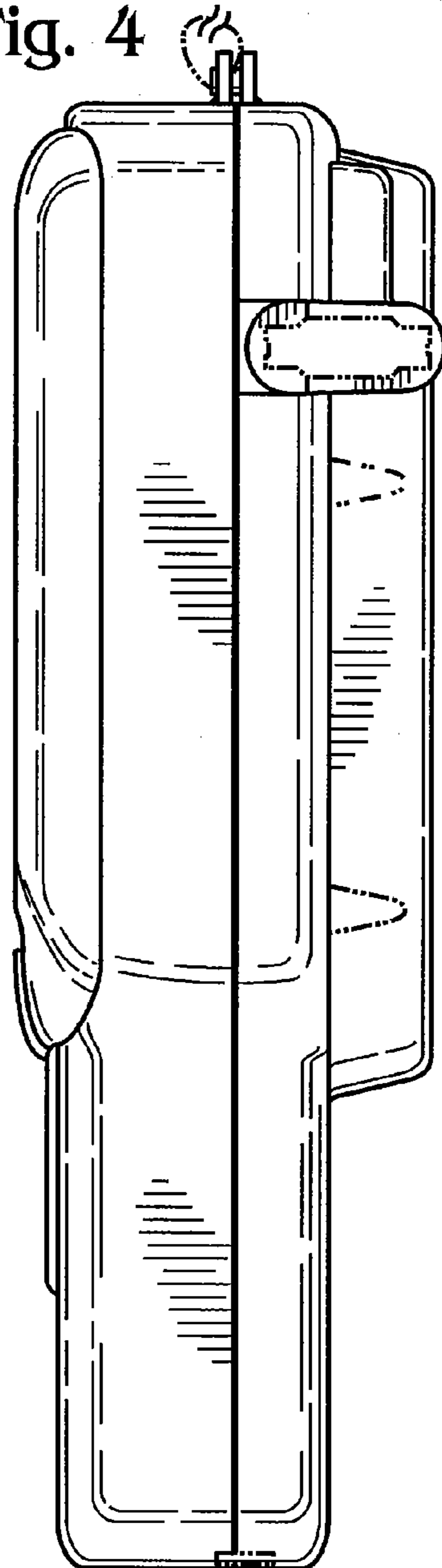


Fig. 5

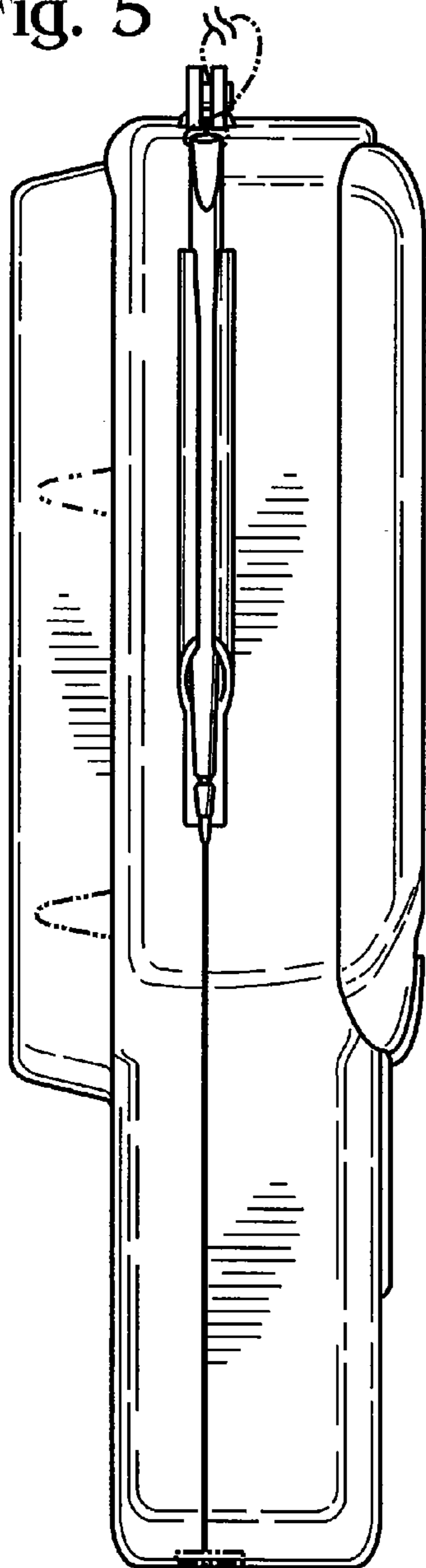


Fig. 6

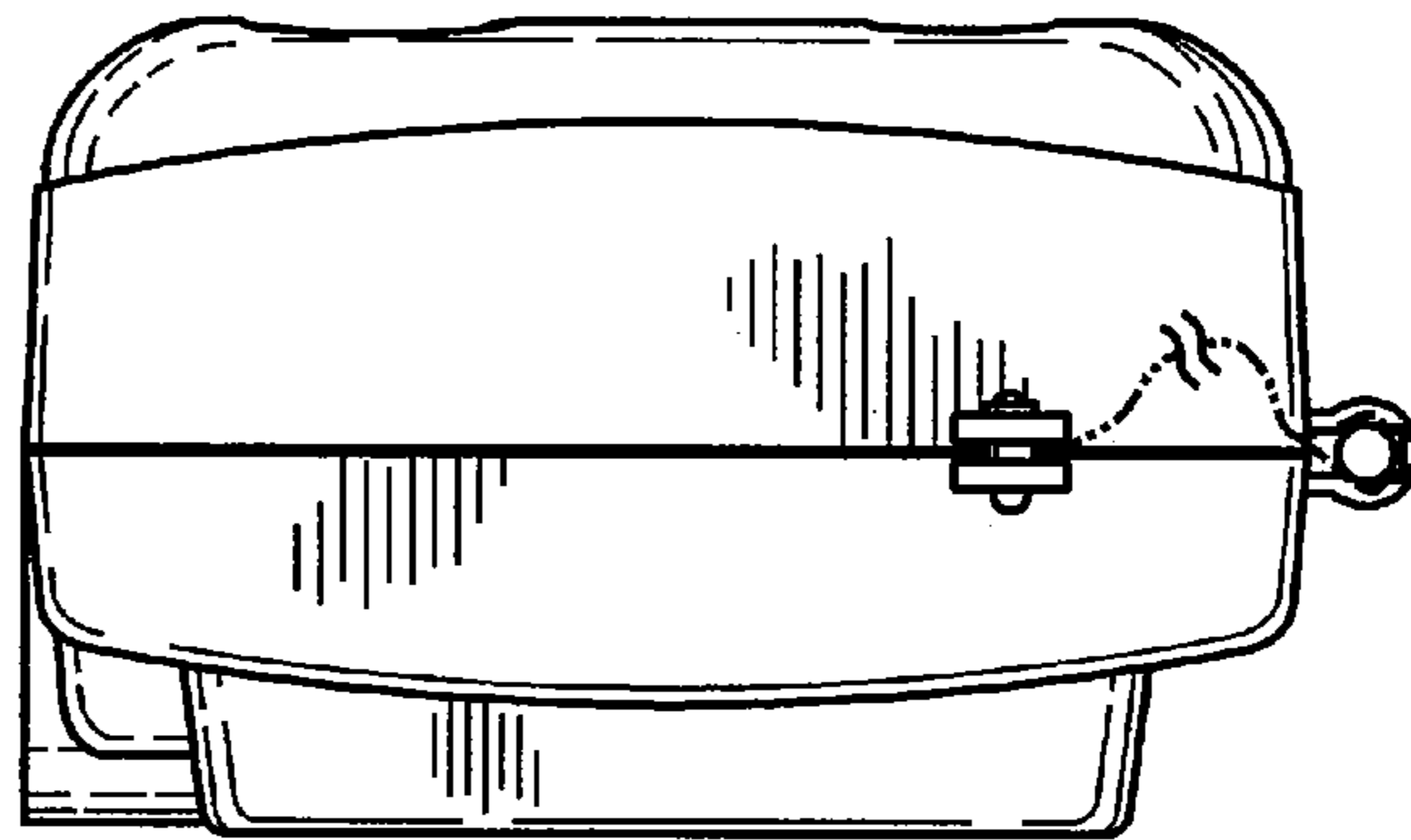


Fig. 7

