



US00D611986S

(12) **United States Design Patent**
Ott et al.

(10) **Patent No.:** **US D611,986 S**
(45) **Date of Patent:** **** Mar. 16, 2010**

(54) **BICOLOR BINGO MARKER**

(76) Inventors: **Derrick Ott**, 321 Buddy Holly Ave.,
Lubbock, TX (US) 79401-1410; **Heath**
Strange, 321 Buddy Holly Ave.,
Lubbock, TX (US) 79401-1410

(**) Term: **14 Years**

(21) Appl. No.: **29/314,495**

(22) Filed: **Apr. 7, 2009**

(51) **LOC (9) Cl.** **19-06**

(52) **U.S. Cl.** **D19/43**

(58) **Field of Classification Search** D19/35,
D19/36, 41-51, 53-57, 86; 24/11 F, 11 P,
24/11 R; 401/52, 99, 100, 104-109, 192,
401/195, 196, 23, 34; D7/679; D9/502,
D9/503, 723, 725, 726, 728, 741, 900; 273/270
See application file for complete search history.

(56) **References Cited**

U.S. PATENT DOCUMENTS

D75,772 S *	7/1928	Bloser	D19/36
D130,199 S *	10/1941	Mamlök	D9/544
D143,048 S *	11/1945	Waldinger	D19/48
D191,216 S *	8/1961	Wish	D7/596
4,035,090 A *	7/1977	Bavaveas	401/25
4,557,618 A *	12/1985	Iwata et al.	401/34
D300,118 S *	3/1989	Venne et al.	D19/48
D381,042 S *	7/1997	Roche	D19/51
D389,865 S *	1/1998	Venne et al.	D19/48

D396,244 S *	7/1998	Venne et al.	D19/43
D406,054 S *	2/1999	Wagner	D9/725
D407,980 S *	4/1999	Dinand	D9/500
5,927,880 A *	7/1999	Allison et al.	401/17
D442,225 S *	5/2001	Lewis, Jr.	D19/47
D443,641 S *	6/2001	Mader	D19/36
D455,782 S *	4/2002	Singh et al.	D19/41
D465,385 S *	11/2002	Miller	D7/523
D505,078 S *	5/2005	Fischer et al.	D9/538
6,913,405 B2 *	7/2005	Fischer et al.	401/6
D508,079 S *	8/2005	Qiu	D19/43
D532,311 S *	11/2006	Yourist	D9/538
D567,598 S *	4/2008	Lee	D7/679

* cited by examiner

Primary Examiner—Elizabeth A Albert

(74) *Attorney, Agent, or Firm*—Norman B. Rainer

(57) **CLAIM**

The ornamental design for a bicolor bingo marker, as shown and described.

DESCRIPTION

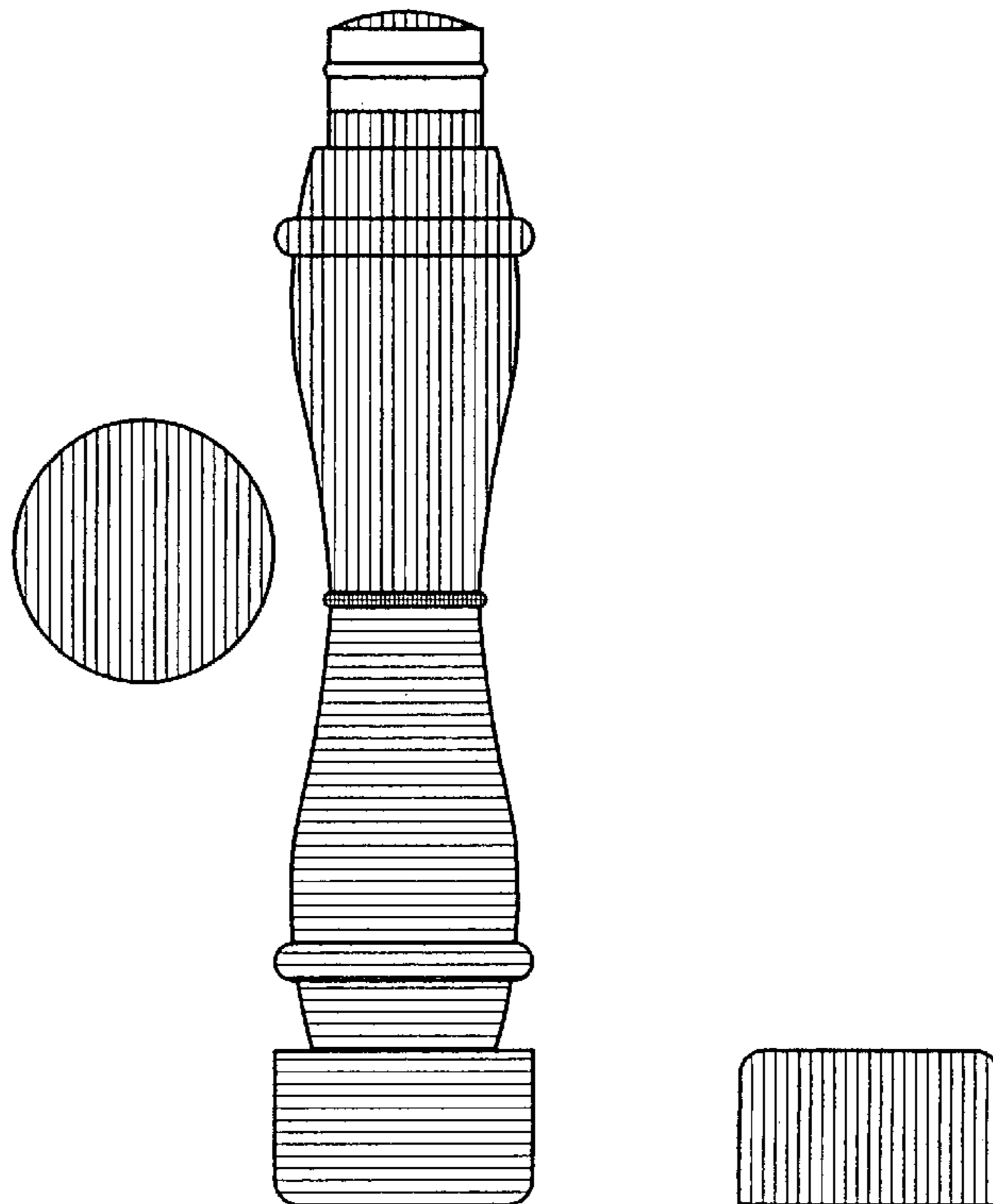
FIG. 1 is a side view of a bicolor bingo marker showing our new design;

FIG. 2 is a top view thereof; and,

FIG. 3 is a side view thereof in its use-ready state showing one cap removed.

The drawings are lined for the color red on the top and the color blue on the bottom.

1 Claim, 1 Drawing Sheet



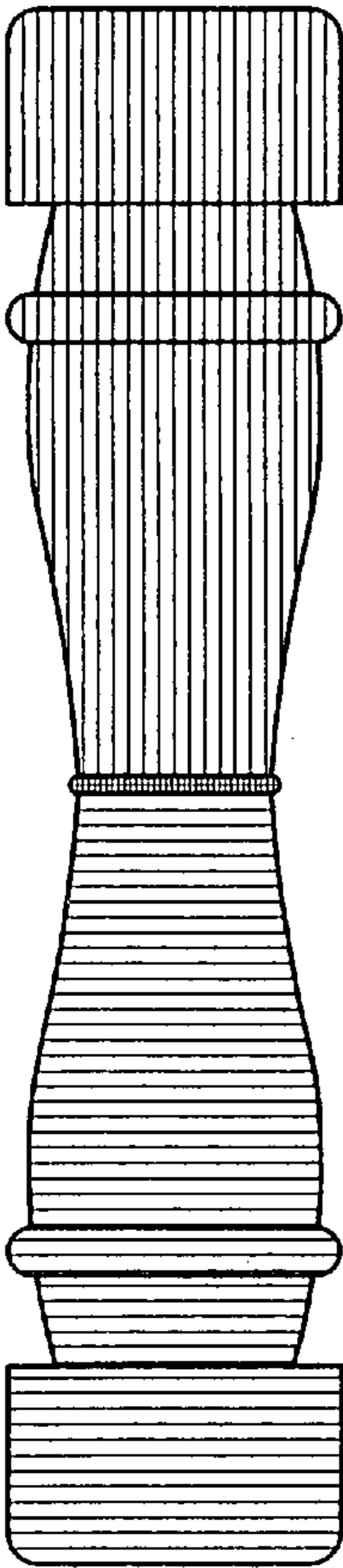


FIG. 1

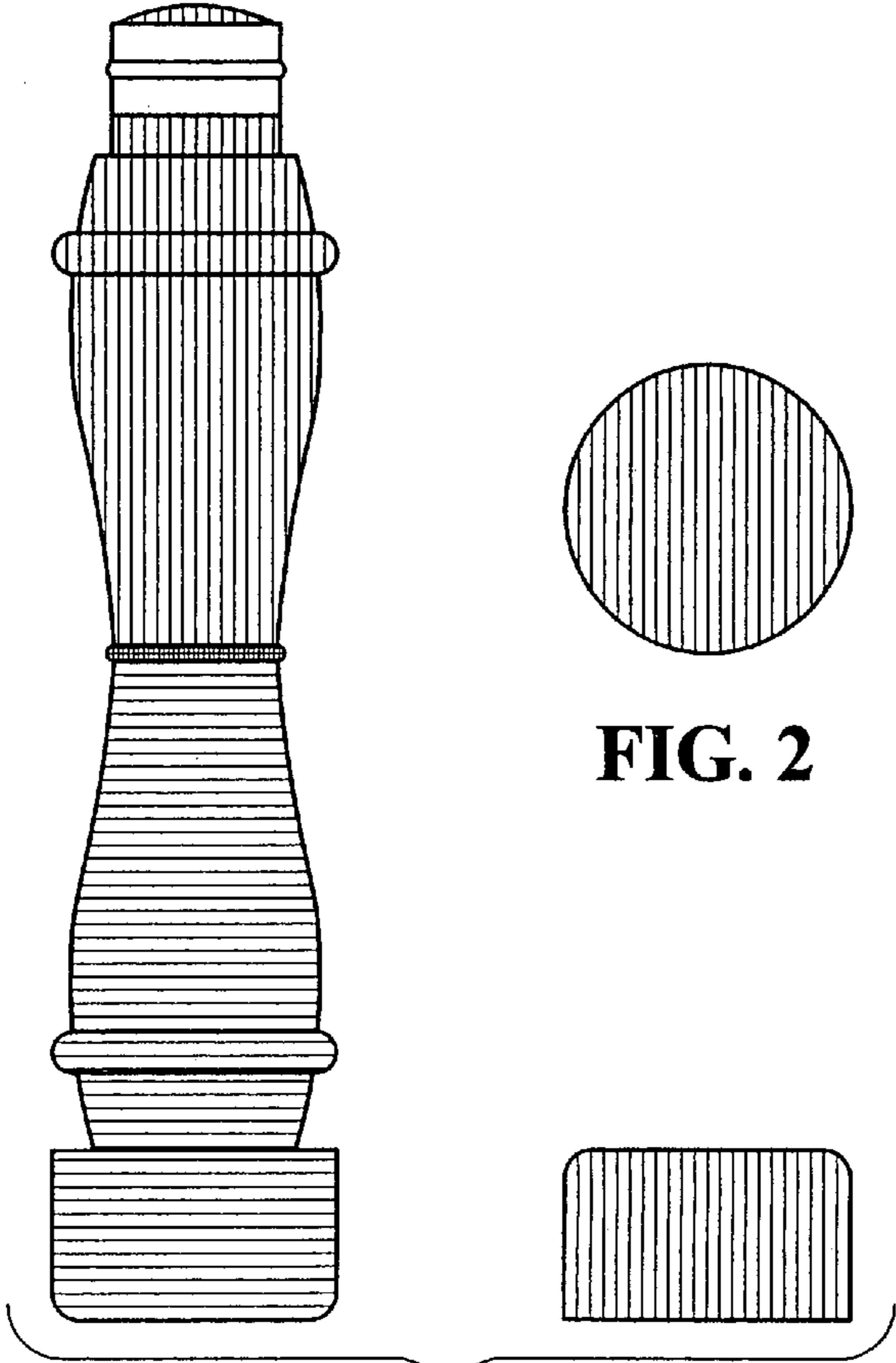


FIG. 2

FIG. 3