



US00D611985S

(12) **United States Design Patent**
Puglisi

(10) **Patent No.:** **US D611,985 S**
(45) **Date of Patent:** **** Mar. 16, 2010**

(54) **PUZZLE PEN**

2007/0041780 A1* 2/2007 Hsu 401/195

(75) Inventor: **Marc J. Puglisi**, Essex County, NJ (US)

OTHER PUBLICATIONS

(73) Assignee: **Ben S. Loeb, Inc.**, Fairfield, NJ (US)

Picture of Puzzle Krypt, as shown on Wikipedia.org, dated 2005 (2 pages).*
Puzzle Pen, #Puzzlepn, as shown on www.polpromo.com, viewed Jun. 3, 2009 (3 pages).*

(**) Term: **14 Years**

* cited by examiner

(21) Appl. No.: **29/310,379**

(22) Filed: **Aug. 12, 2008**

Primary Examiner—Elizabeth A Albert

Assistant Examiner—Karen E Eldridge Powers

(51) **LOC (9) Cl.** **19-06**

(52) **U.S. Cl.** **D19/42**

(58) **Field of Classification Search** D7/642,
D7/643, 644; D19/35, 36, 41, 42, 43, 44,
D19/45, 46, 47, 48, 49, 50, 51, 54, 55, 56,
D19/57; D27/146; 24/11 F, 11 P, 11 R;
401/6, 52, 99, 100, 104, 105, 106, 107, 108,
401/109, 192, 195; 708/107

(74) *Attorney, Agent, or Firm*—Howard C. Miskin, Esq.;
Gloria Tsui-Yip, Esq.

See application file for complete search history.

(57) **CLAIM**

The ornamental design for a puzzle pen, as shown and described.

(56) **References Cited**

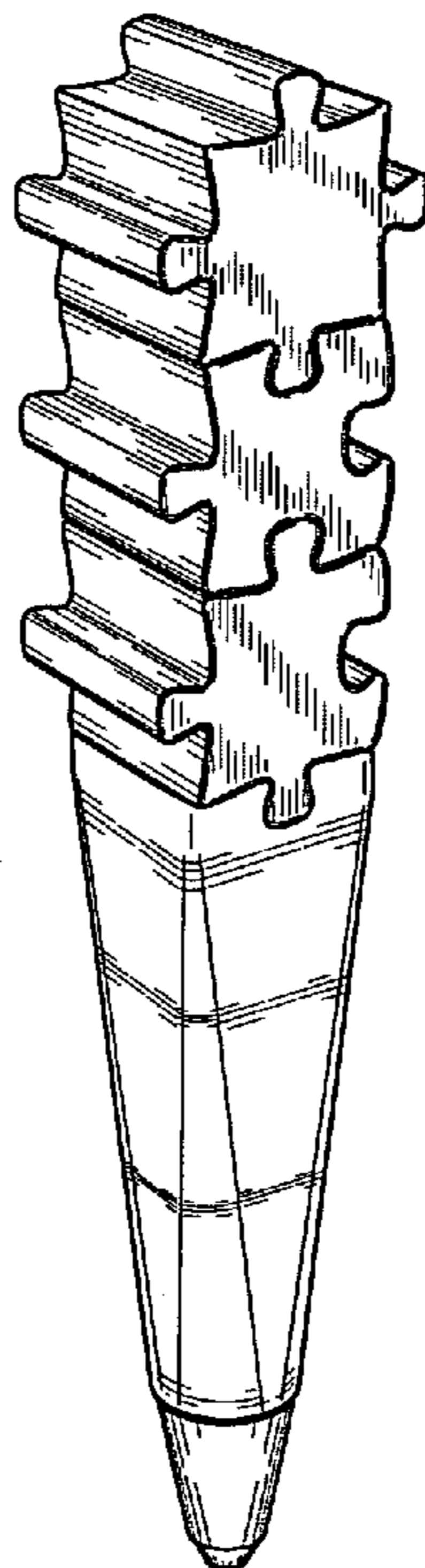
DESCRIPTION

U.S. PATENT DOCUMENTS

D303,271 S *	9/1989	Lord	D19/53
5,217,226 A *	6/1993	Christopher	273/157 R
D340,477 S *	10/1993	Regnault	D19/55
5,842,697 A *	12/1998	Scott et al.	273/157 R
D416,043 S *	11/1999	Arthur et al.	D19/55
D518,114 S *	3/2006	Chuang	D21/479
D518,115 S *	3/2006	Chuang	D21/480
D519,166 S *	4/2006	Chuang	D21/479
D585,490 S *	1/2009	Puglisi	D19/48

FIG. 1 is a perspective view of my new design;
FIG. 2 is a front elevational view thereof;
FIG. 3 is a rear elevational view thereof;
FIG. 4 is a left side view thereof;
FIG. 5 is a right side view thereof;
FIG. 6 is a bottom view thereof;
FIG. 7 is a top view thereof; and,
FIG. 8 is an exploded view of FIG. 1.

1 Claim, 5 Drawing Sheets



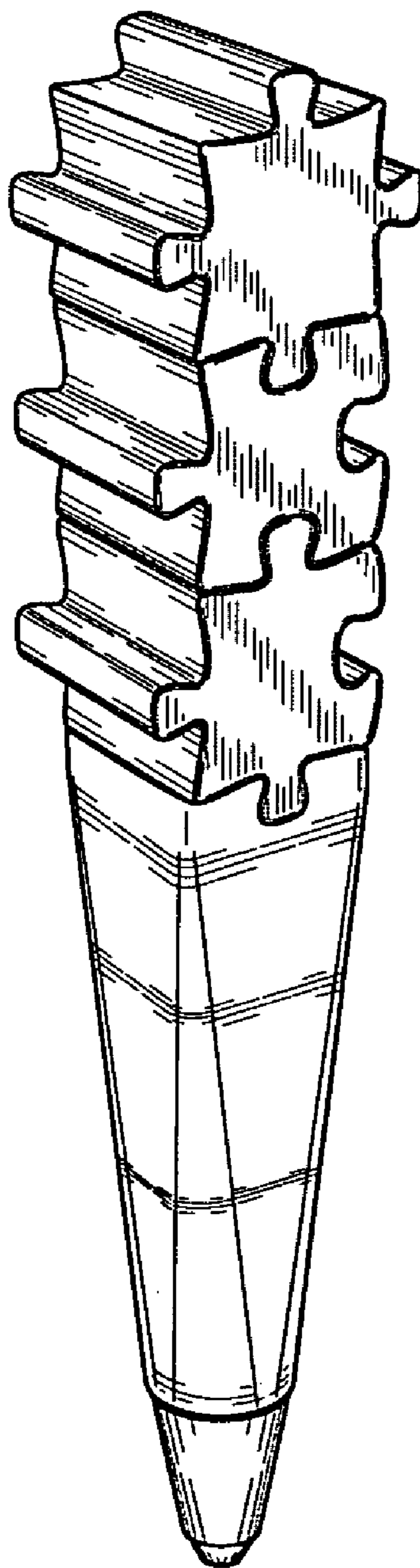


FIG. 1

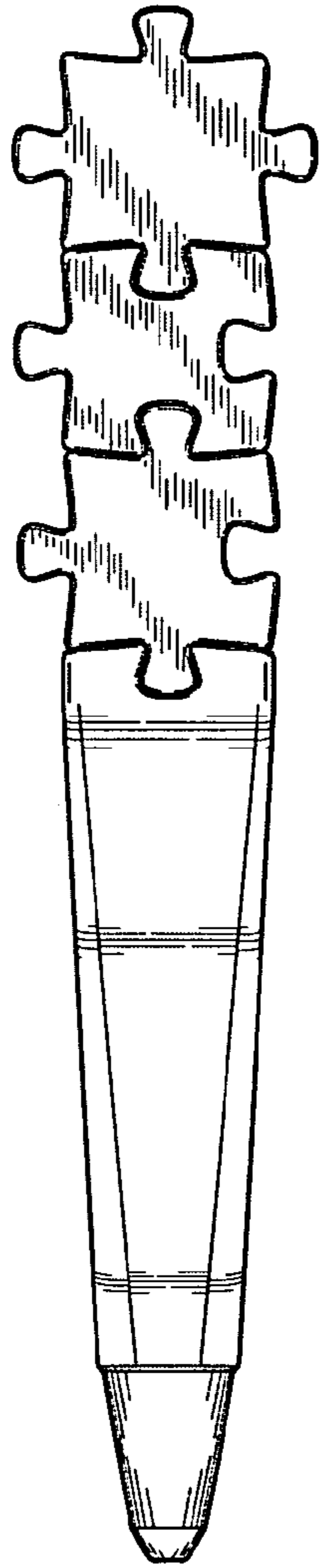


FIG. 2

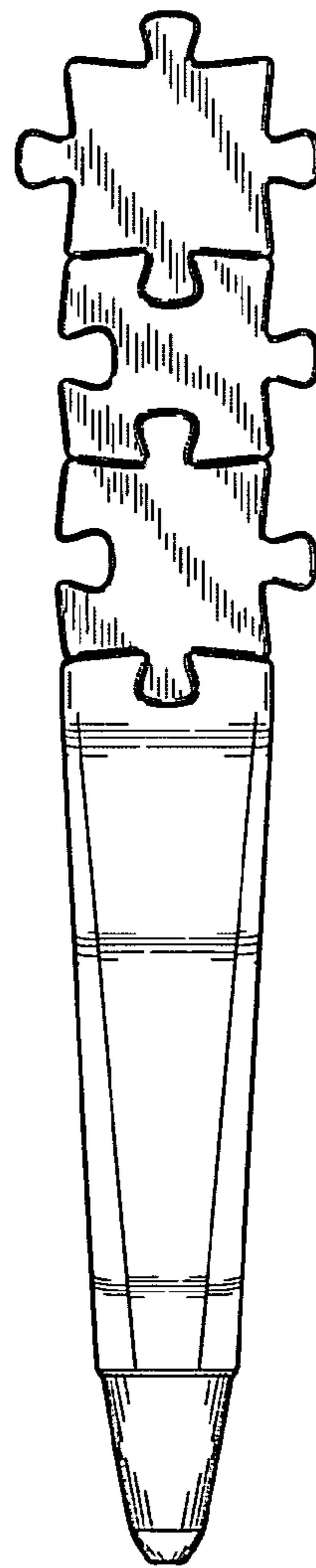


FIG. 3

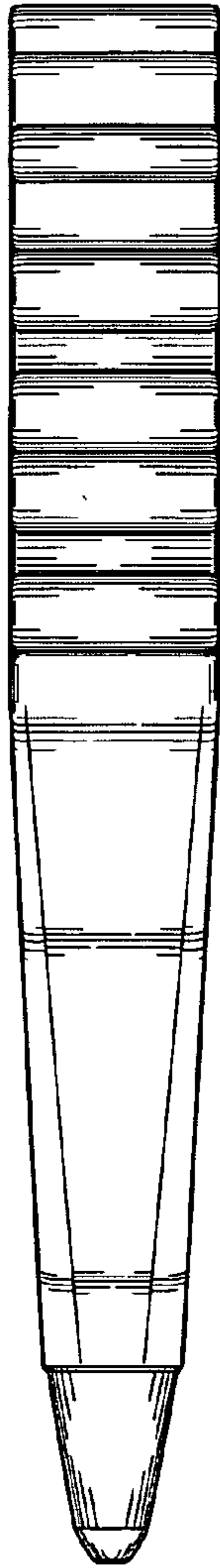


FIG. 4

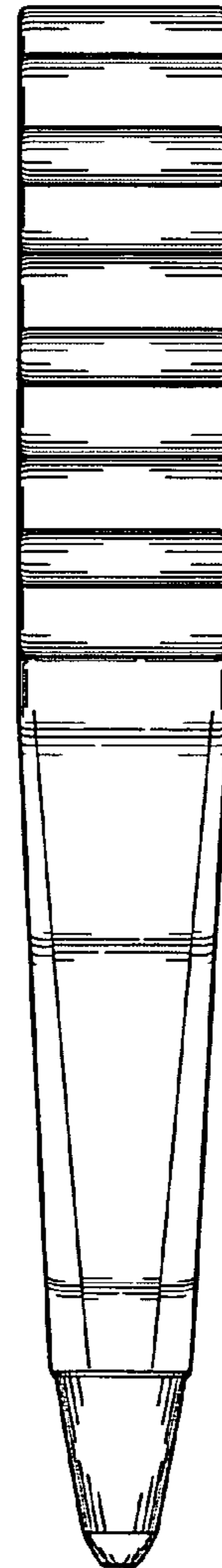


FIG. 5

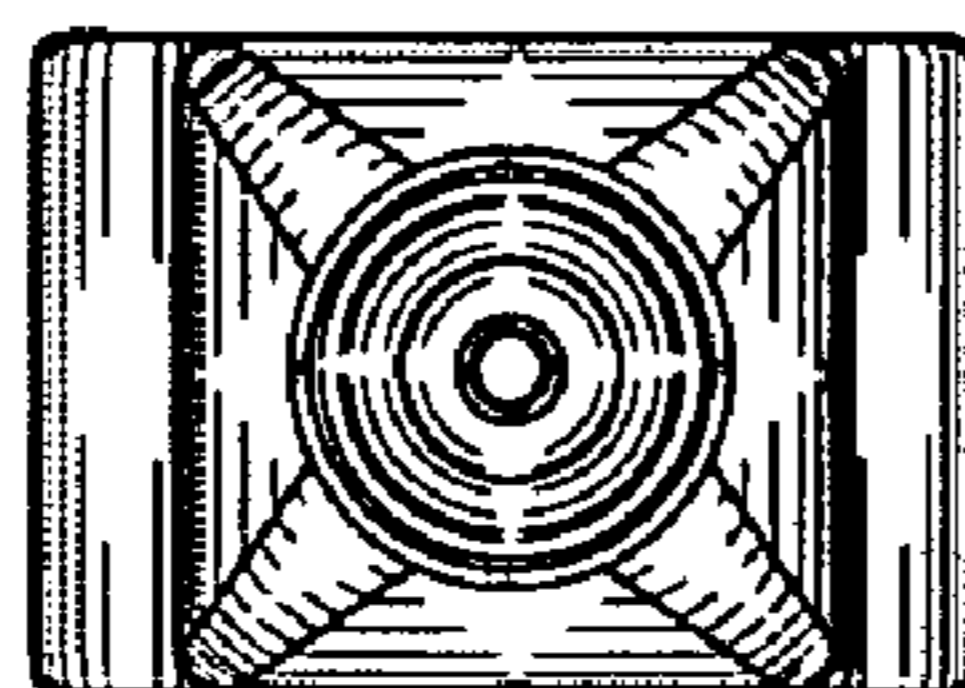


FIG. 6

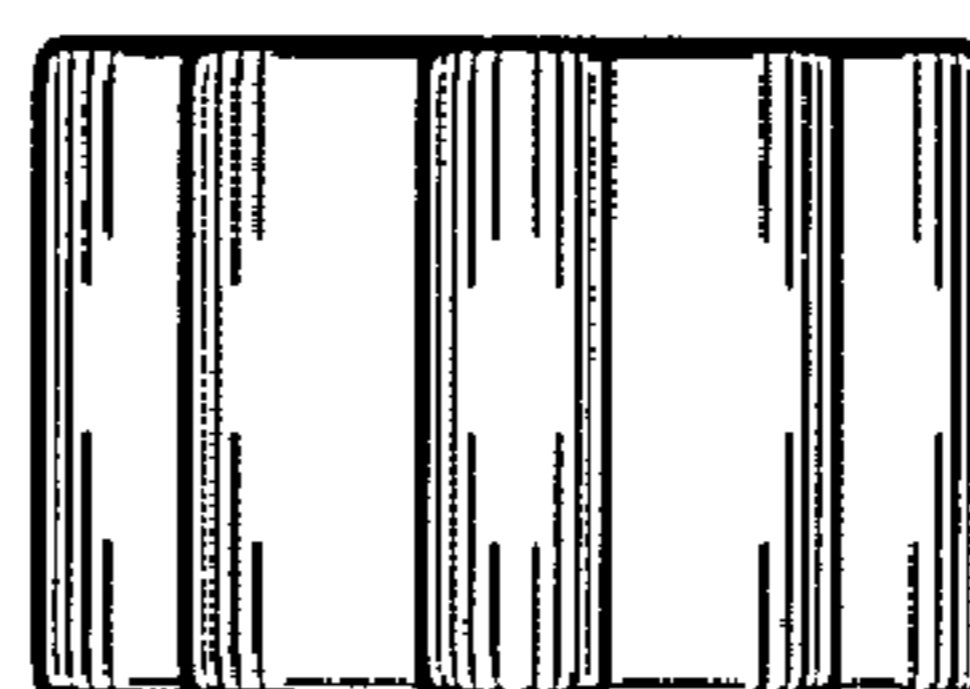


FIG. 7

