



US00D611980S

(12) **United States Design Patent**
Chen

(10) **Patent No.:** **US D611,980 S**

(45) **Date of Patent:** **** *Mar. 16, 2010**

(54) **EYEGLASS**

(76) Inventor: **Leo Chen**, No. 23 Jishi Road, Ji Da District, Zhuhai (CN) 519015

(*) Notice: This patent is subject to a terminal disclaimer.

(**) Term: **14 Years**

(21) Appl. No.: **29/294,274**

(22) Filed: **Jan. 3, 2008**

(30) **Foreign Application Priority Data**

Oct. 18, 2007 (CN) 2007 3 0315418

(51) **LOC (9) Cl.** **16-06**

(52) **U.S. Cl.** **D16/309; D16/336**

(58) **Field of Classification Search** D16/101, D16/300-309, 310-332, 338, 341, 342; D21/190; D24/110.2; 351/41, 44, 47, 51, 61, 62, 63, 351/83, 86, 90, 103-111, 114, 117, 119, 351/121-123, 130-132, 136-139, 153, 158; 2/12, 13

See application file for complete search history.

(56) **References Cited**

U.S. PATENT DOCUMENTS

- D212,863 S * 12/1968 Roberts D14/192
- 3,825,953 A * 7/1974 Hunter 2/437
- D318,283 S * 7/1991 Cleveland D16/330
- D352,706 S * 11/1994 Hong D14/137
- 5,402,188 A * 3/1995 Wayne 351/43
- D414,153 S * 9/1999 Sacco et al. D12/196
- 6,091,546 A * 7/2000 Spitzer 359/618
- D445,416 S * 7/2001 Glezerman D14/223

- D460,432 S * 7/2002 Brown D14/156
- D481,372 S * 10/2003 Brown D14/156
- 6,690,807 B1 * 2/2004 Meyer 381/327
- D514,083 S * 1/2006 Schultz D14/168
- 7,182,459 B1 * 2/2007 Chen 351/158
- D537,812 S * 3/2007 Erich et al. D14/206
- D537,978 S * 3/2007 Chen D27/148
- D538,836 S * 3/2007 Moritz et al. D16/330
- D546,866 S * 7/2007 Yang D16/309
- D561,816 S * 2/2008 Jannard et al. D16/330
- 2002/0021407 A1 * 2/2002 Elliott 351/158
- 2005/0046789 A1 * 3/2005 Jannard et al. 351/158
- 2005/0128431 A1 * 6/2005 Jannard et al. 351/158
- 2006/0072067 A1 * 4/2006 Jannard et al. 351/41
- 2006/0158608 A1 * 7/2006 Lin 351/158

* cited by examiner

Primary Examiner—T. Chase Nelson
Assistant Examiner—Barbara B Lohr

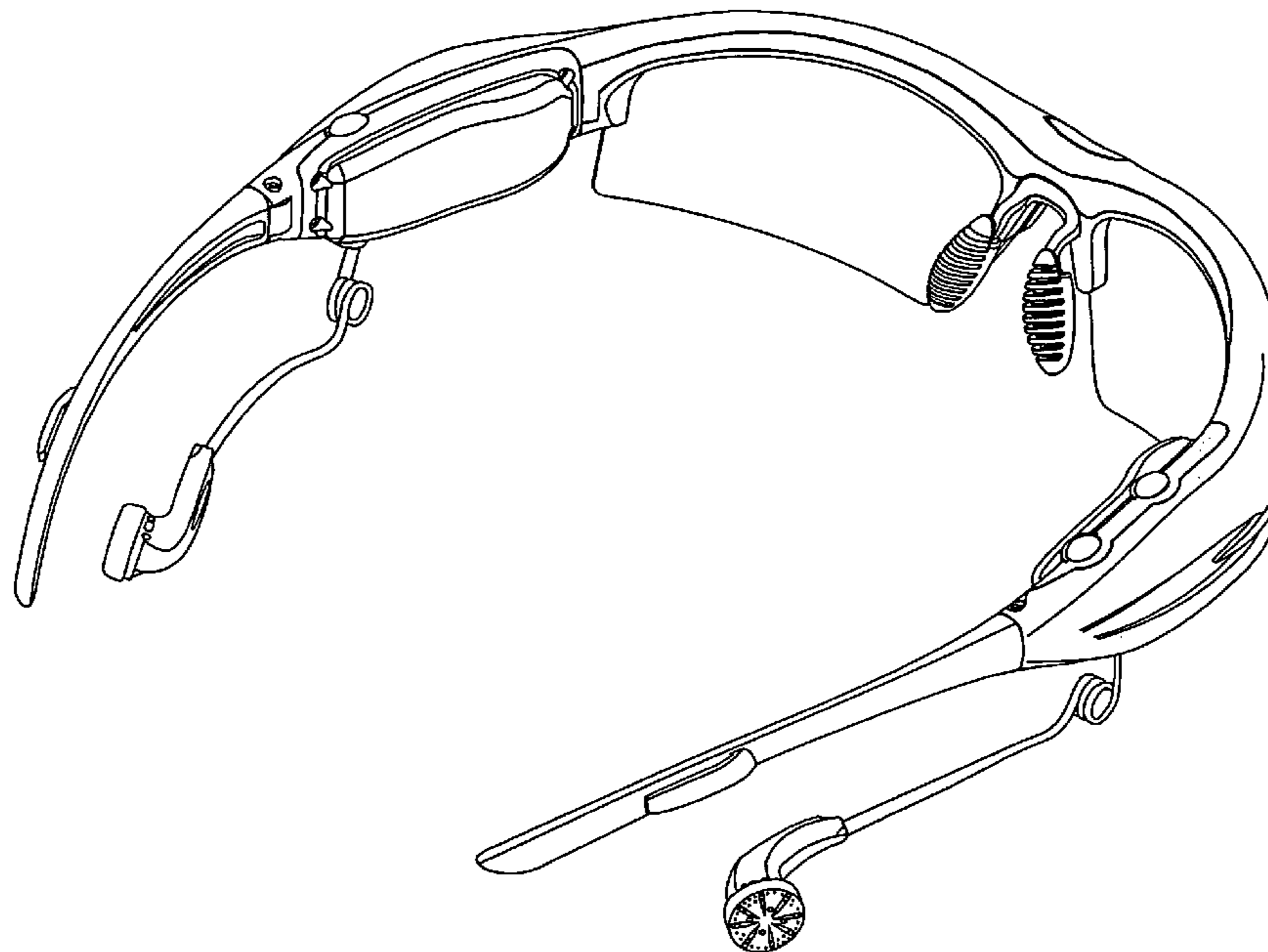
(57) **CLAIM**

The ornamental design for the eyeglass, as shown.

DESCRIPTION

FIG. 1 is a front elevational view of the eyeglass as I claim;
 FIG. 2 is a rear elevational view of the eyeglass as I claim;
 FIG. 3 is a left side elevational view of the eyeglass as I claim;
 FIG. 4 is a right side elevational view of the eyeglass as I claim;
 FIG. 5 is a top plan view of the eyeglass as I claim;
 FIG. 6 is a bottom plan view of the eyeglass as I claim; and,
 FIG. 7 is a rear perspective view of the eyeglass case as I claim.

1 Claim, 5 Drawing Sheets



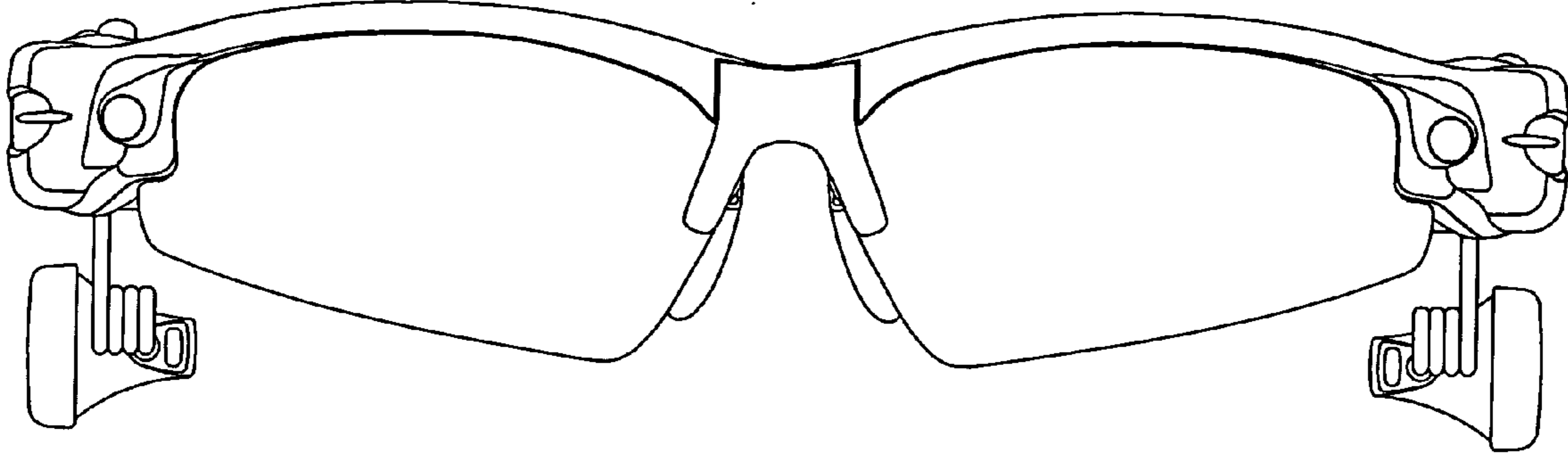


FIG. 1

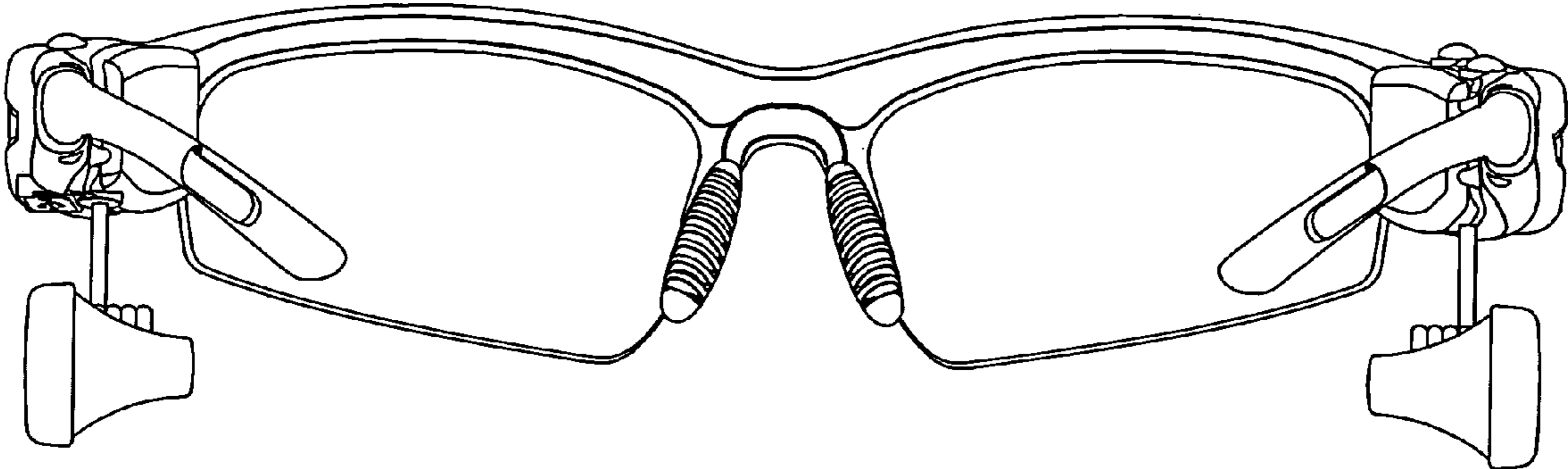


FIG. 2

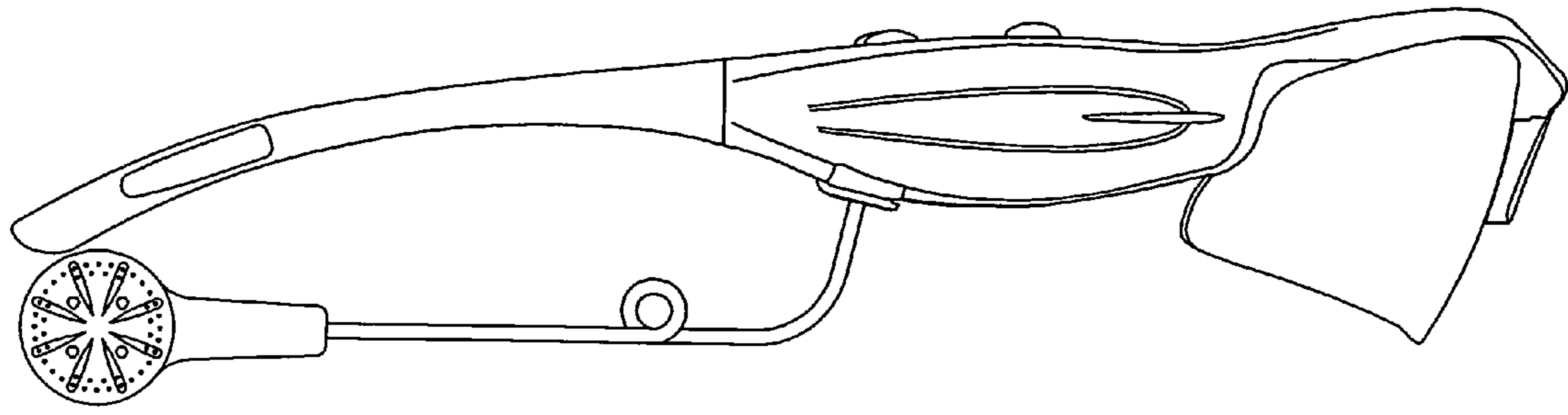


FIG. 3

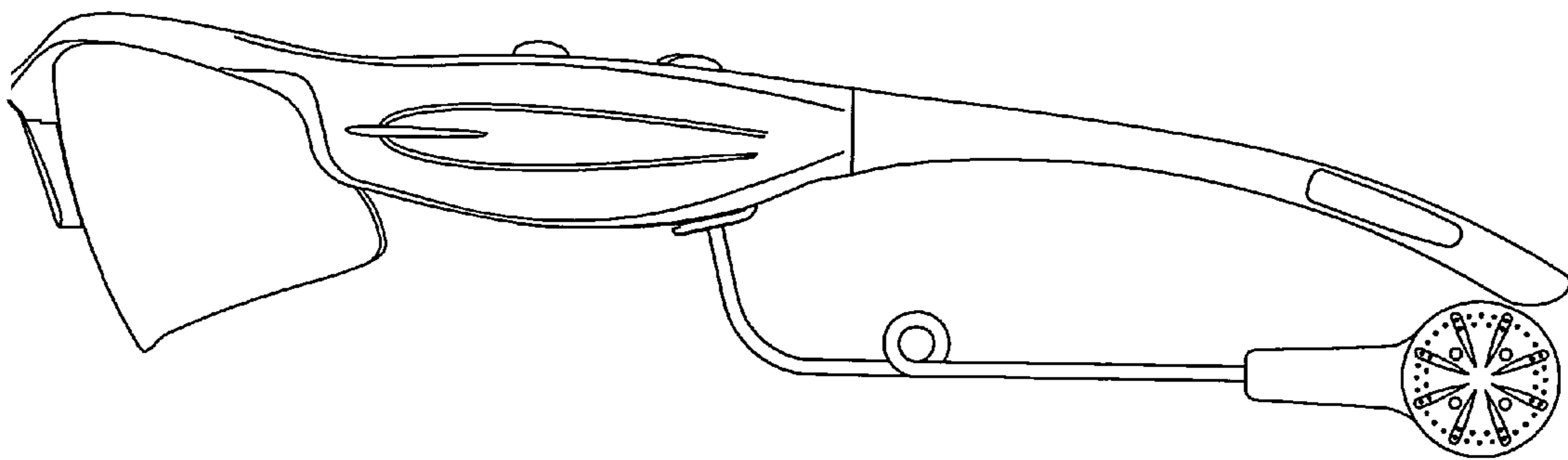


FIG. 4

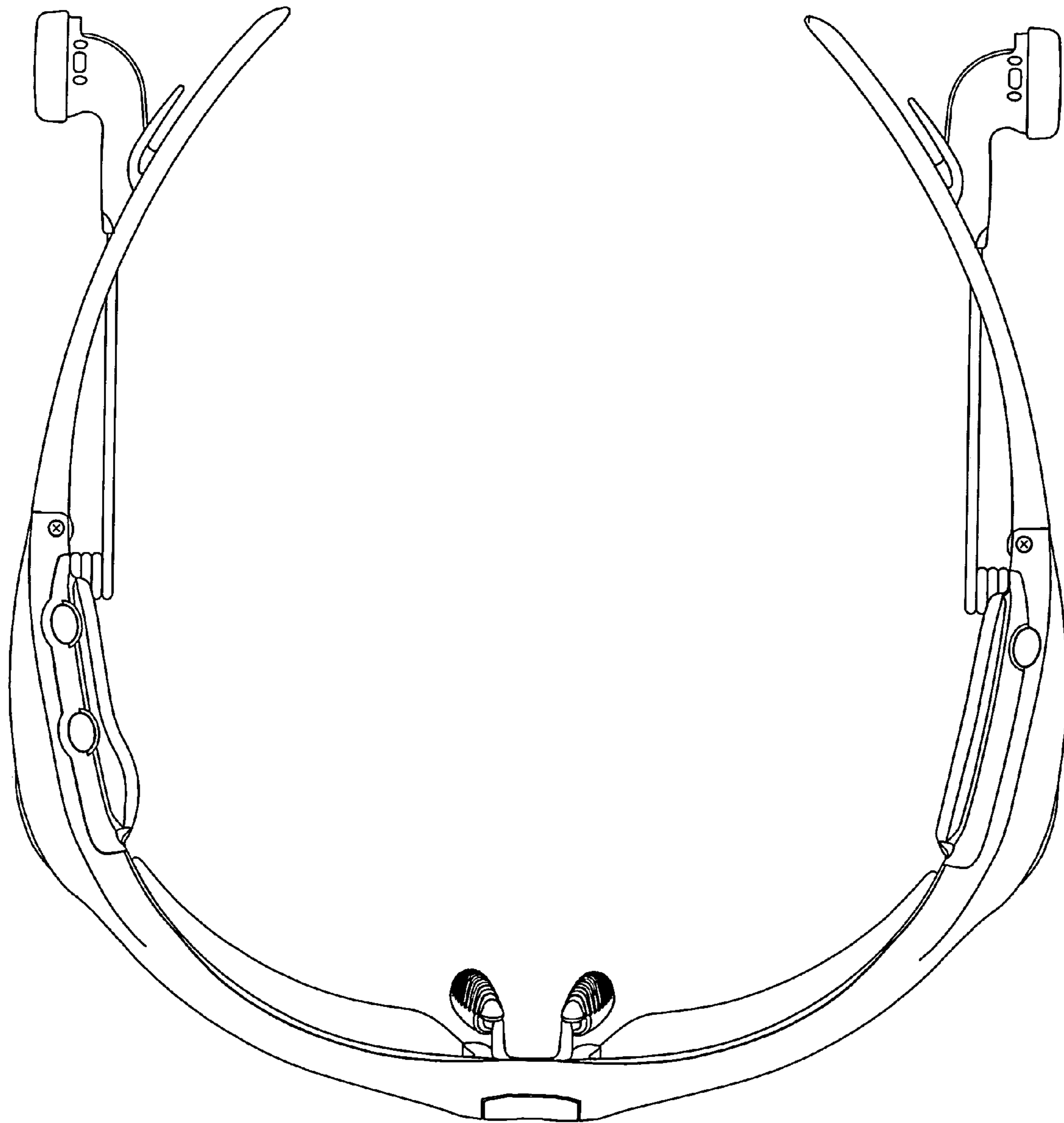


FIG. 5

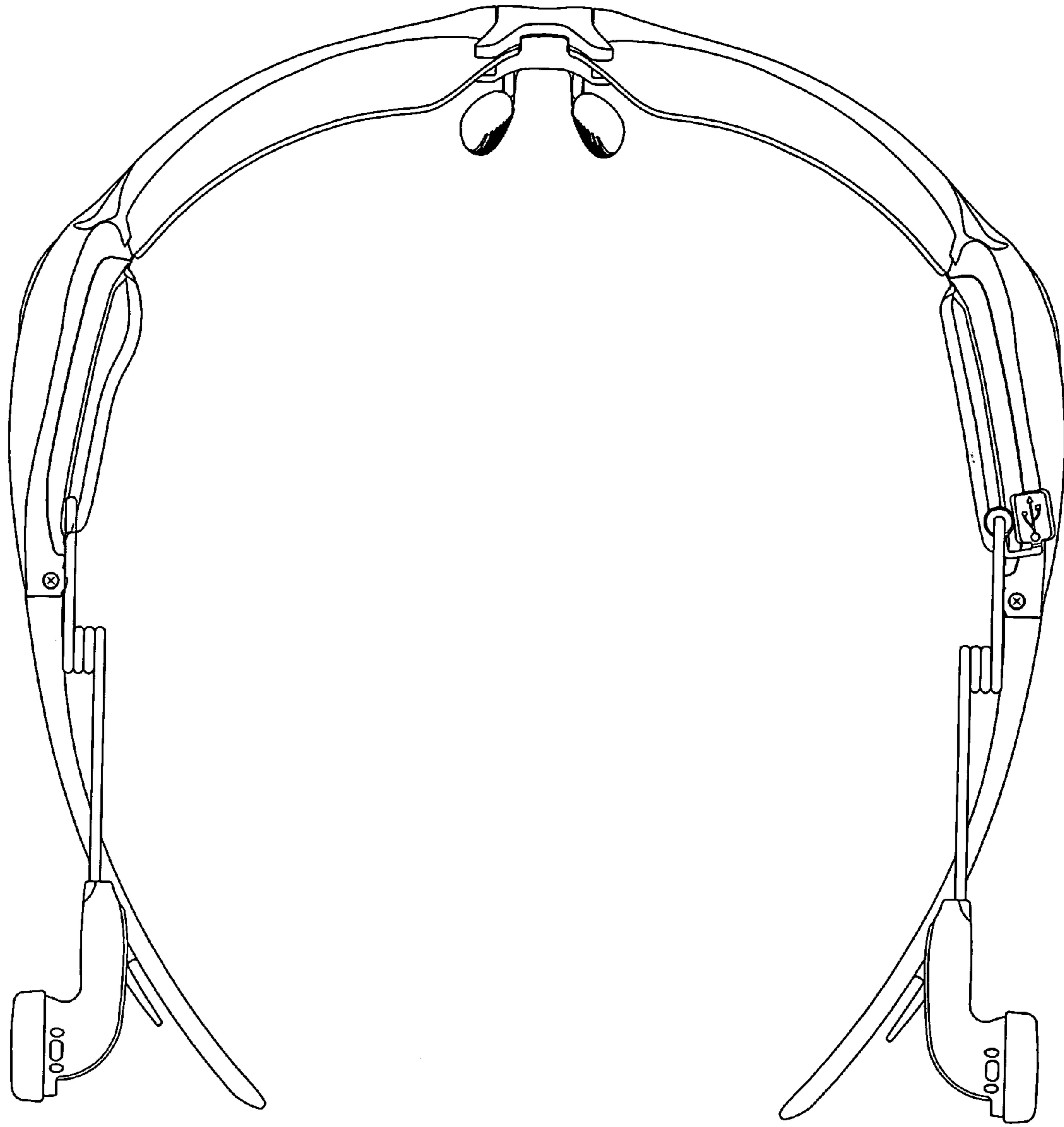


FIG. 6

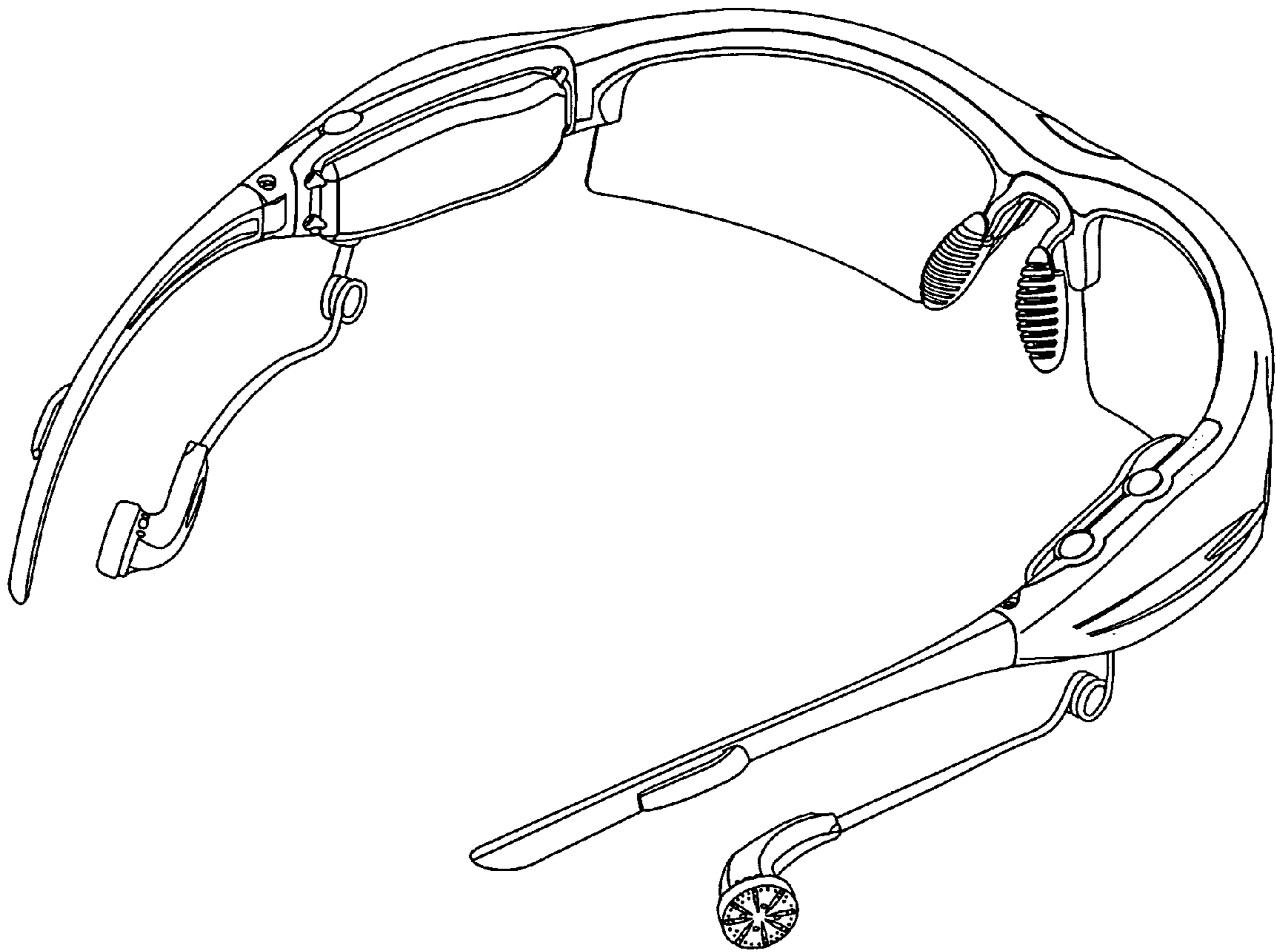


FIG. 7