



US00D611978S

(12) **United States Design Patent**
Kwon et al.

(10) **Patent No.:** **US D611,978 S**
(45) **Date of Patent:** **** Mar. 16, 2010**

(54) **DIGITAL CAMERA**

(75) Inventors: **Ki-jin Kwon**, Suwon-si (KR); **Min-ki Ham**, Suwon-si (KR); **Joo-bok Kim**, Suwon-si (KR)

(73) Assignee: **Samsung Digital Imaging Co., Ltd.**, Suwon-si (KR)

(**) Term: **14 Years**

(21) Appl. No.: **29/316,322**

(22) Filed: **Sep. 11, 2009**

(30) **Foreign Application Priority Data**

Apr. 13, 2009 (KR) 30-2009-0015604

(51) **LOC (9) Cl.** **16-01**

(52) **U.S. Cl.** **D16/202**

(58) **Field of Classification Search** D16/200–204, D16/218; 348/373–376; 358/909.1; 396/535–541
See application file for complete search history.

(56) **References Cited**

U.S. PATENT DOCUMENTS

D508,711 S * 8/2005 Suzuki D16/218
D521,043 S * 5/2006 Takagi D16/202
D548,255 S * 8/2007 Naito D16/202

D570,889 S * 6/2008 Nakajima D16/202
D573,623 S * 7/2008 Nakajima D16/202
D583,400 S * 12/2008 Lee D16/202
D585,083 S * 1/2009 Nakajima D16/202
D601,604 S * 10/2009 Kim D16/202
2006/0139457 A1 * 6/2006 Liao 348/373

* cited by examiner

Primary Examiner—Adir Aronovich

(74) *Attorney, Agent, or Firm*—Drinker Biddle & Reath LLP

(57) **CLAIM**

The ornamental design for a digital camera, as shown and described.

DESCRIPTION

FIG. 1 is a top, front and right side perspective view of a digital camera showing our new design;

FIG. 2 is a front elevational view thereof;

FIG. 3 is a rear elevational view thereof;

FIG. 4 is a left side elevational view thereof;

FIG. 5 is a right side elevational view thereof

FIG. 6 is a top plan view of thereof;

FIG. 7 is a bottom plan view thereof; and,

FIG. 8 is a top, rear and left side perspective view thereof.

1 Claim, 4 Drawing Sheets

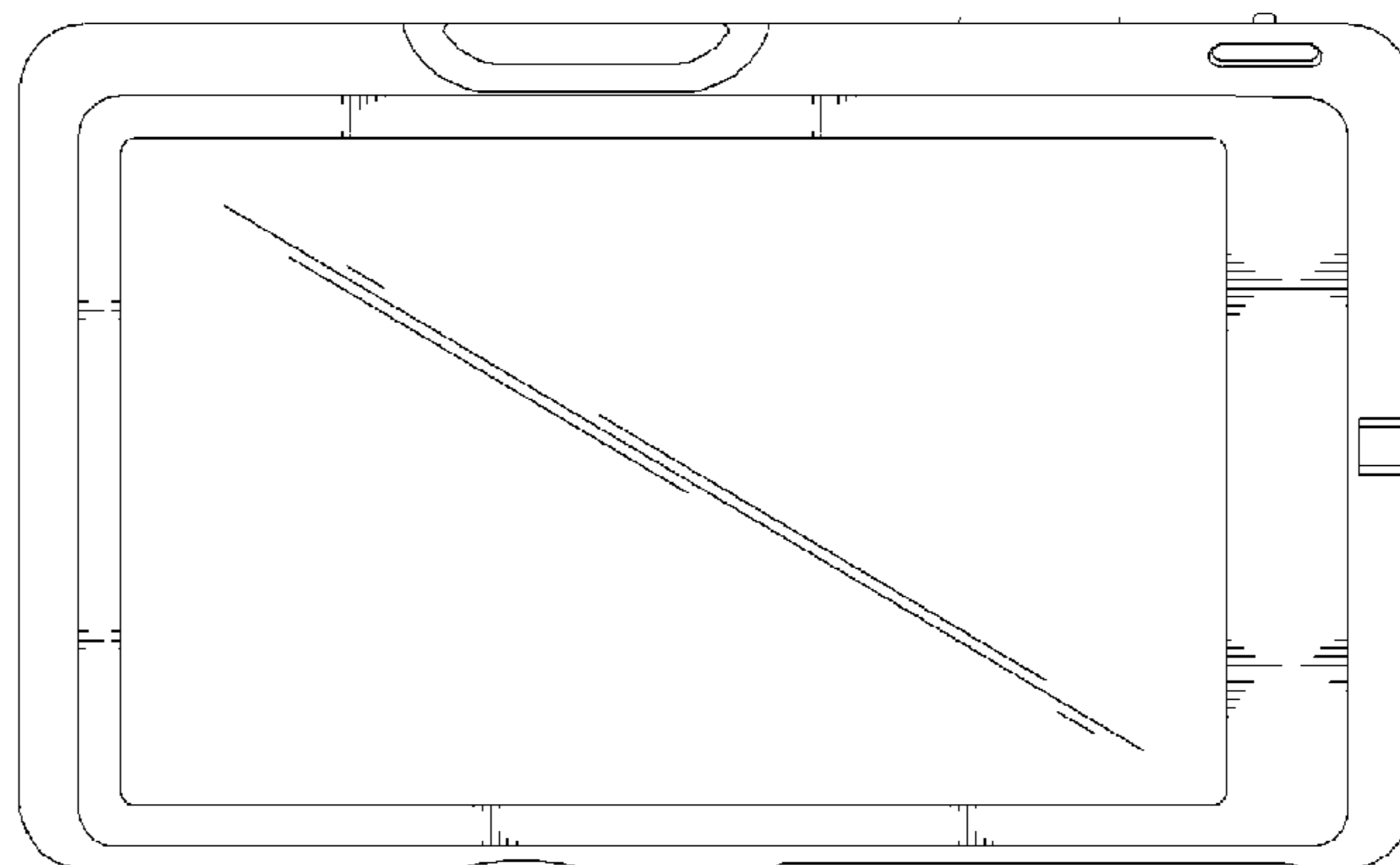
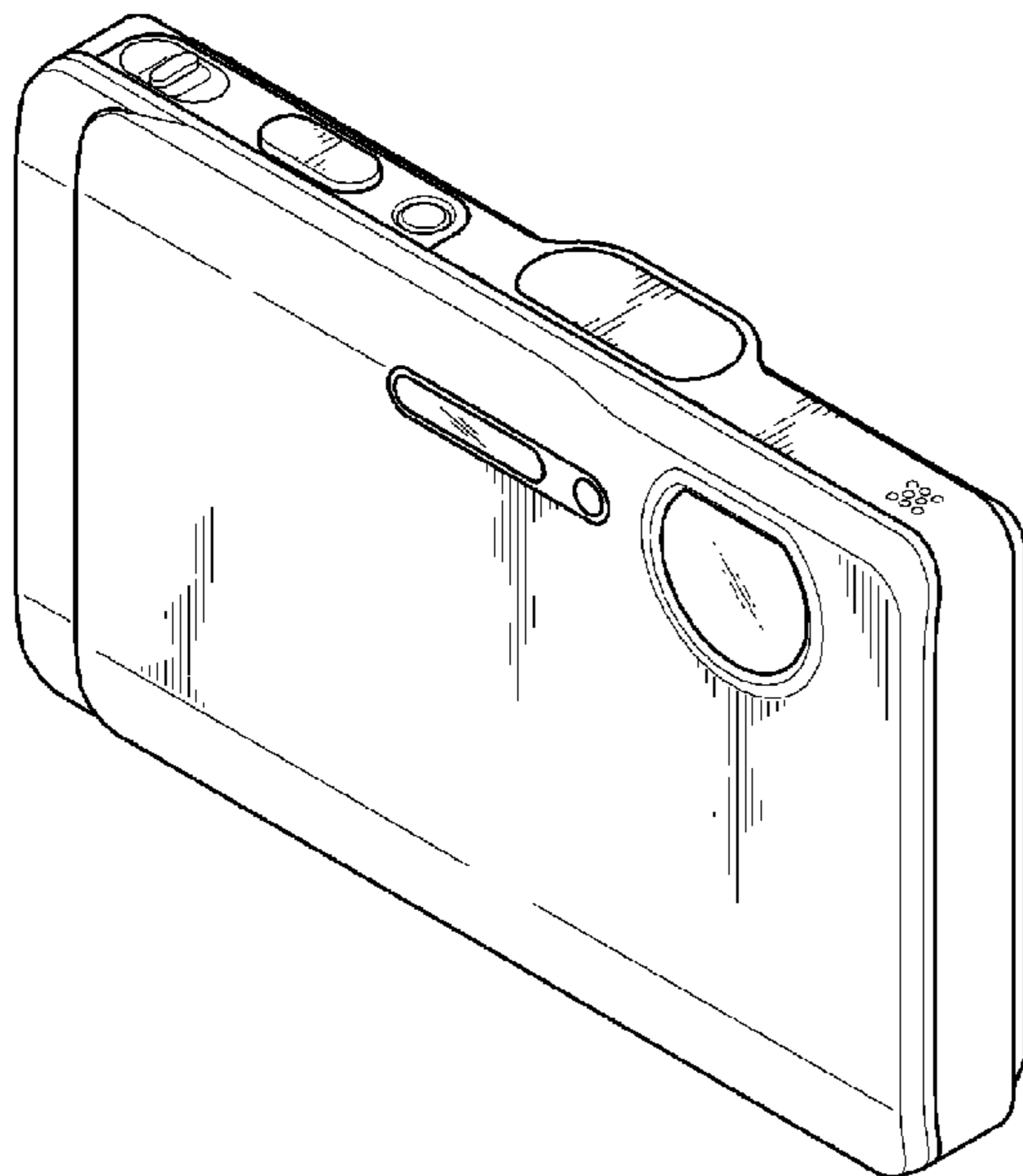


FIG. 1

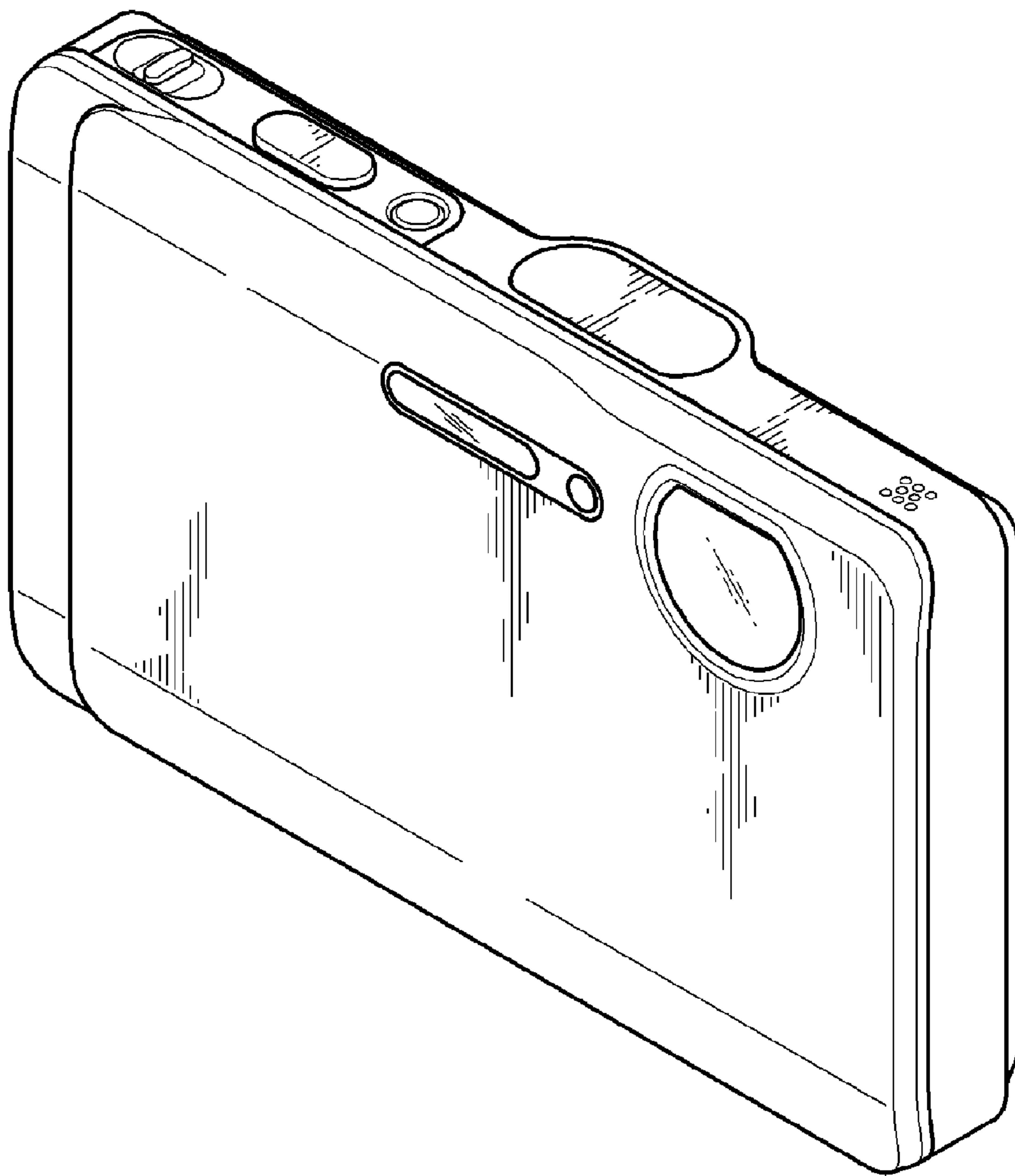


FIG. 2

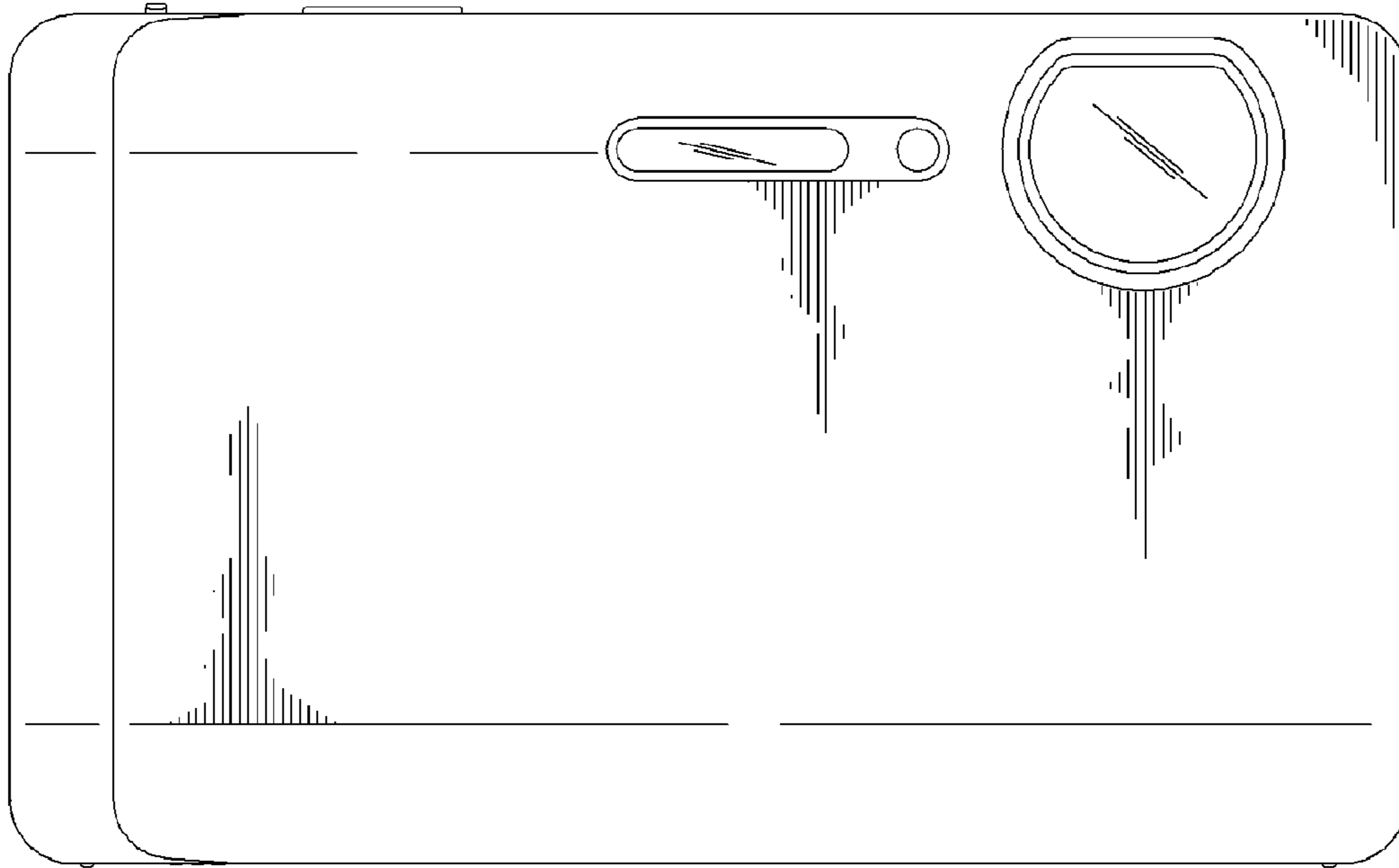


FIG. 3

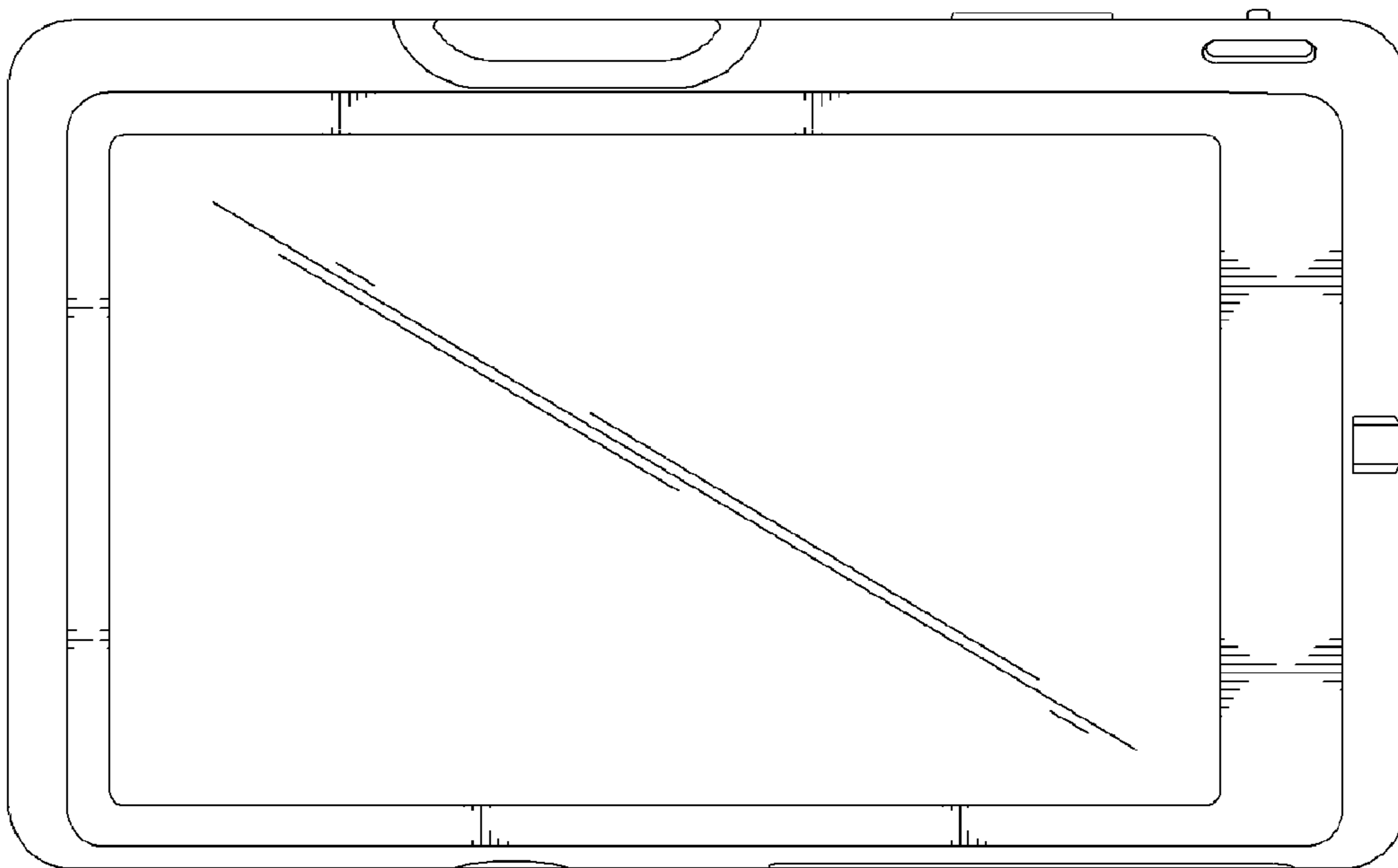


FIG. 4

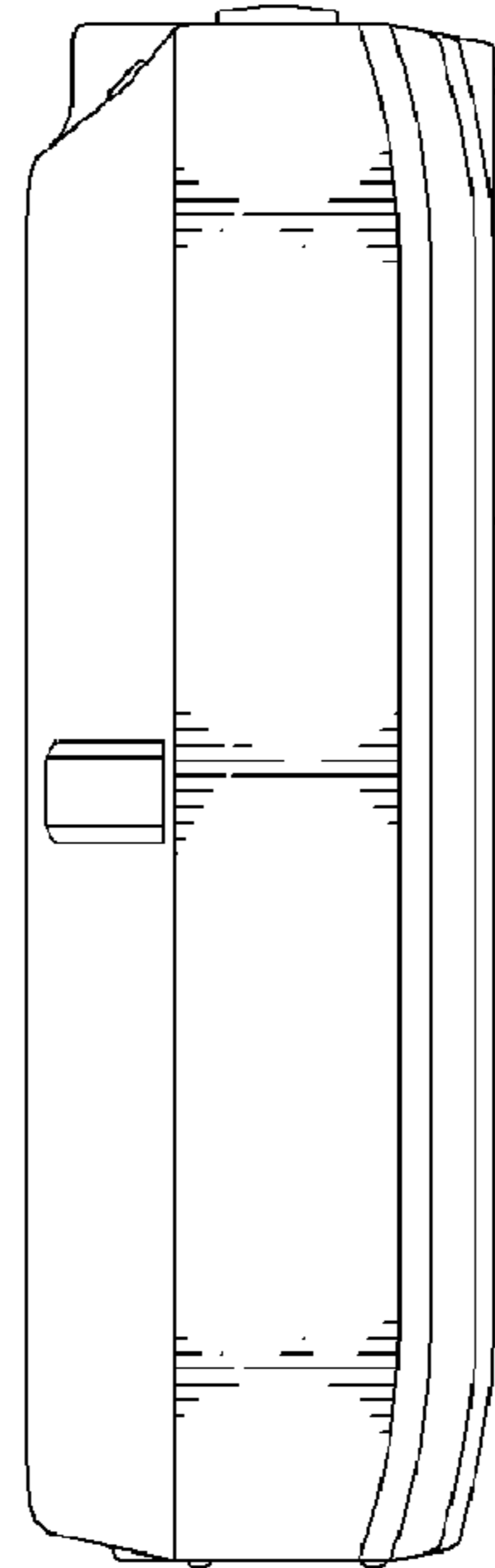


FIG. 5

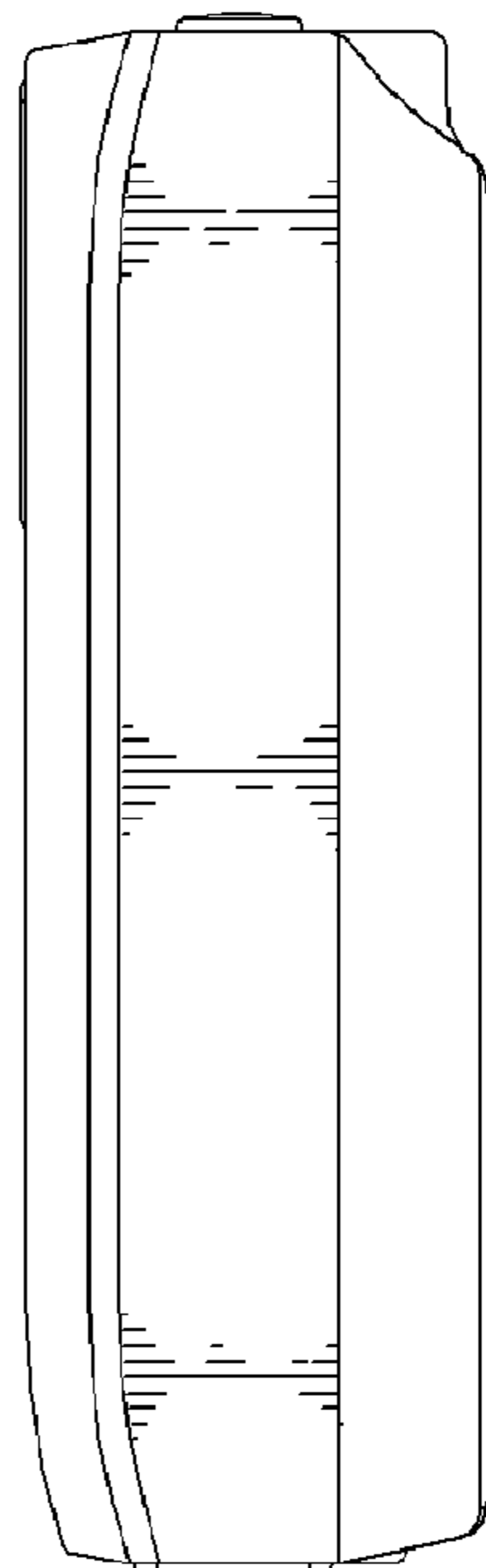


FIG. 6

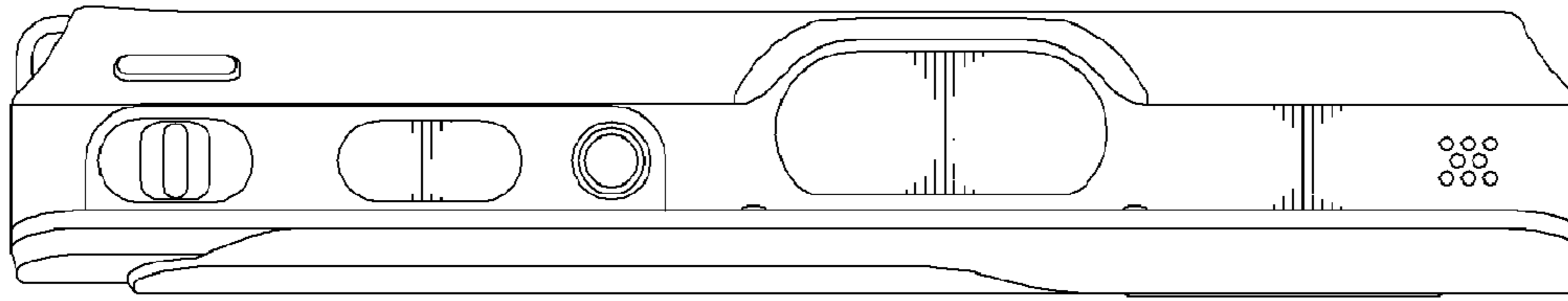


FIG. 7

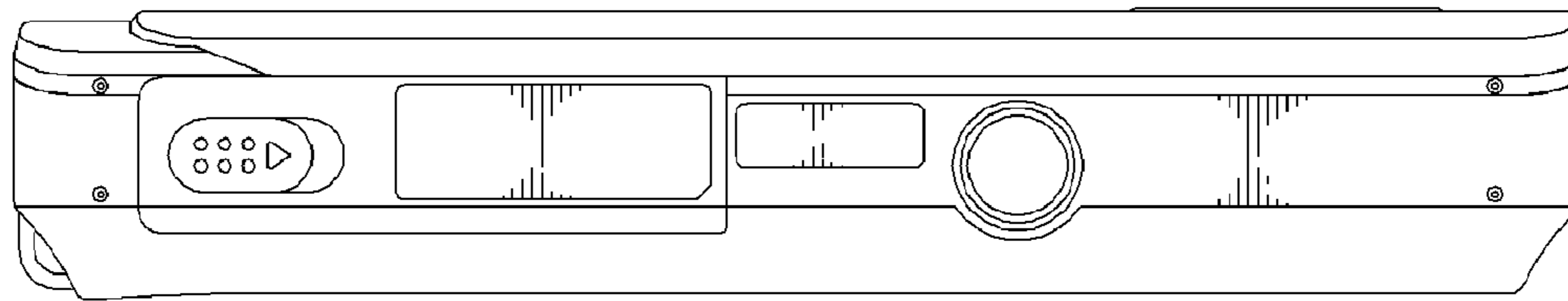


FIG. 8

