



US00D611977S

(12) **United States Design Patent**
Kim et al.

(10) **Patent No.:** **US D611,977 S**
(45) **Date of Patent:** **** Mar. 16, 2010**

(54) **DIGITAL CAMERA**

(75) Inventors: **Joo-bok Kim**, Suwon-si (KR); **Kenji Yamauchi**, Suwon-si (KR); **Kenji Baba**, Suwon-si (KR)

(73) Assignee: **Samsung Digital Imaging Co., Ltd.**, Suwon-si (KR)

(**) Term: **14 Years**

(21) Appl. No.: **29/316,081**

(22) Filed: **Aug. 21, 2009**

(30) **Foreign Application Priority Data**

Jun. 25, 2009 (KR) 30-2009-0028076

(51) **LOC (9) Cl.** **16-01**

(52) **U.S. Cl.** **D16/202; D16/217**

(58) **Field of Classification Search** D16/200–206, D16/217, 218; 348/373–376; 358/909.1; 396/176–178, 354–359, 535, 540, 541
See application file for complete search history.

(56) **References Cited**

U.S. PATENT DOCUMENTS

5,253,003 A * 10/1993 Fujii et al. 396/176
D411,218 S * 6/1999 Kumakura et al. D16/217
D446,235 S * 8/2001 Morishita et al. D16/217

6,351,609 B1 * 2/2002 Hosokawa et al. 396/177
D497,174 S * 10/2004 Omino et al. D16/202
D542,321 S * 5/2007 Takahashi D16/217
D560,239 S * 1/2008 Kim et al. D16/202
D564,560 S * 3/2008 Funakoshi D16/217
D581,440 S * 11/2008 Nakamura D16/202
D594,892 S * 6/2009 Kamiya et al. D16/202

* cited by examiner

Primary Examiner—Adir Aronovich

(74) *Attorney, Agent, or Firm*—Drinker Biddle & Reath LLP

(57) **CLAIM**

The ornamental design for a digital camera, as shown and described.

DESCRIPTION

FIG. 1 is a front and left side perspective view of a digital camera showing our new design;

FIG. 2 is a front elevational view thereof;

FIG. 3 is a rear elevational view thereof;

FIG. 4 is a left side elevational view thereof;

FIG. 5 is a right side elevational view thereof;

FIG. 6 is a top plan view of thereof;

FIG. 7 is a bottom plan view thereof; and,

FIG. 8 is a rear perspective view thereof.

1 Claim, 6 Drawing Sheets

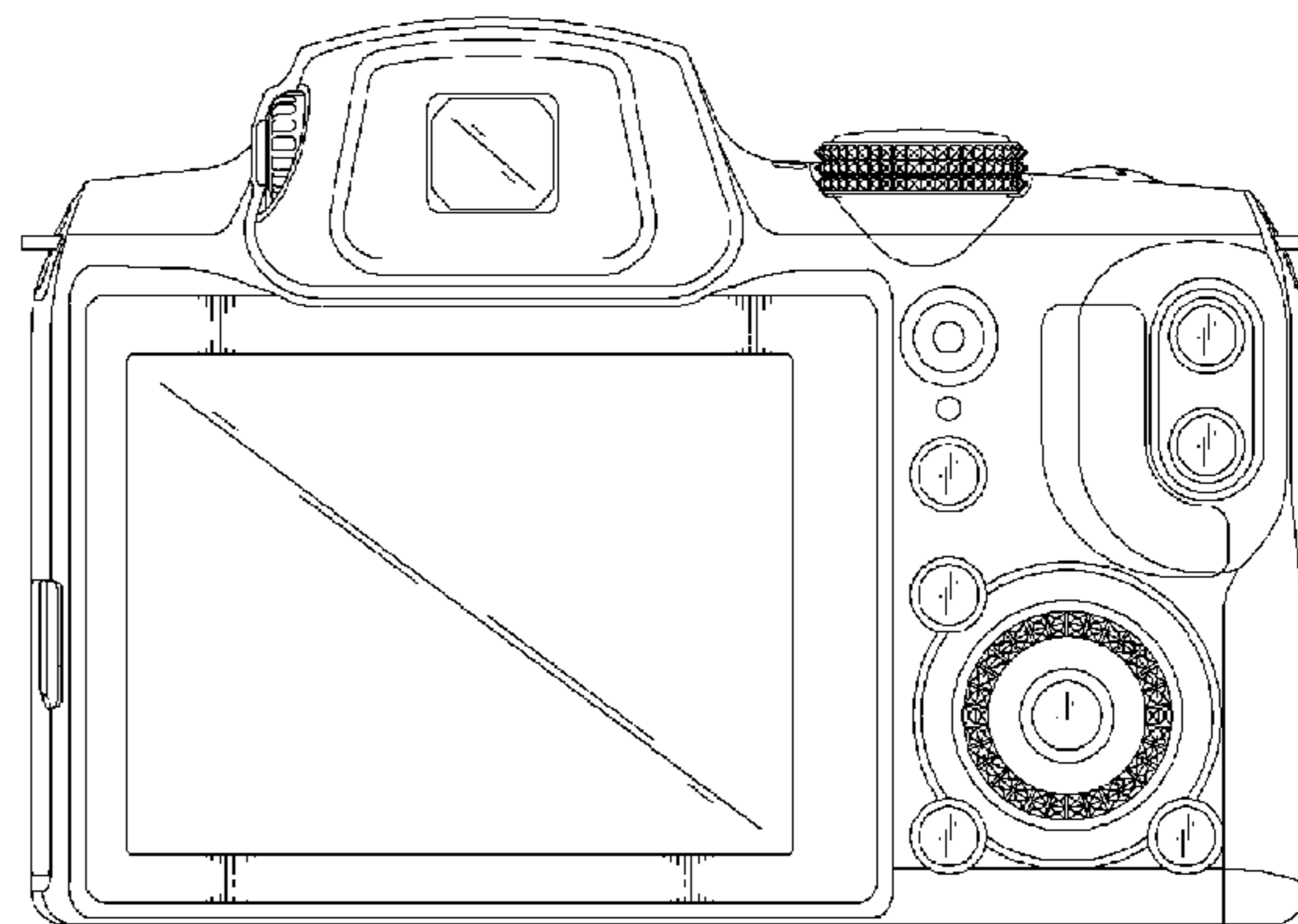
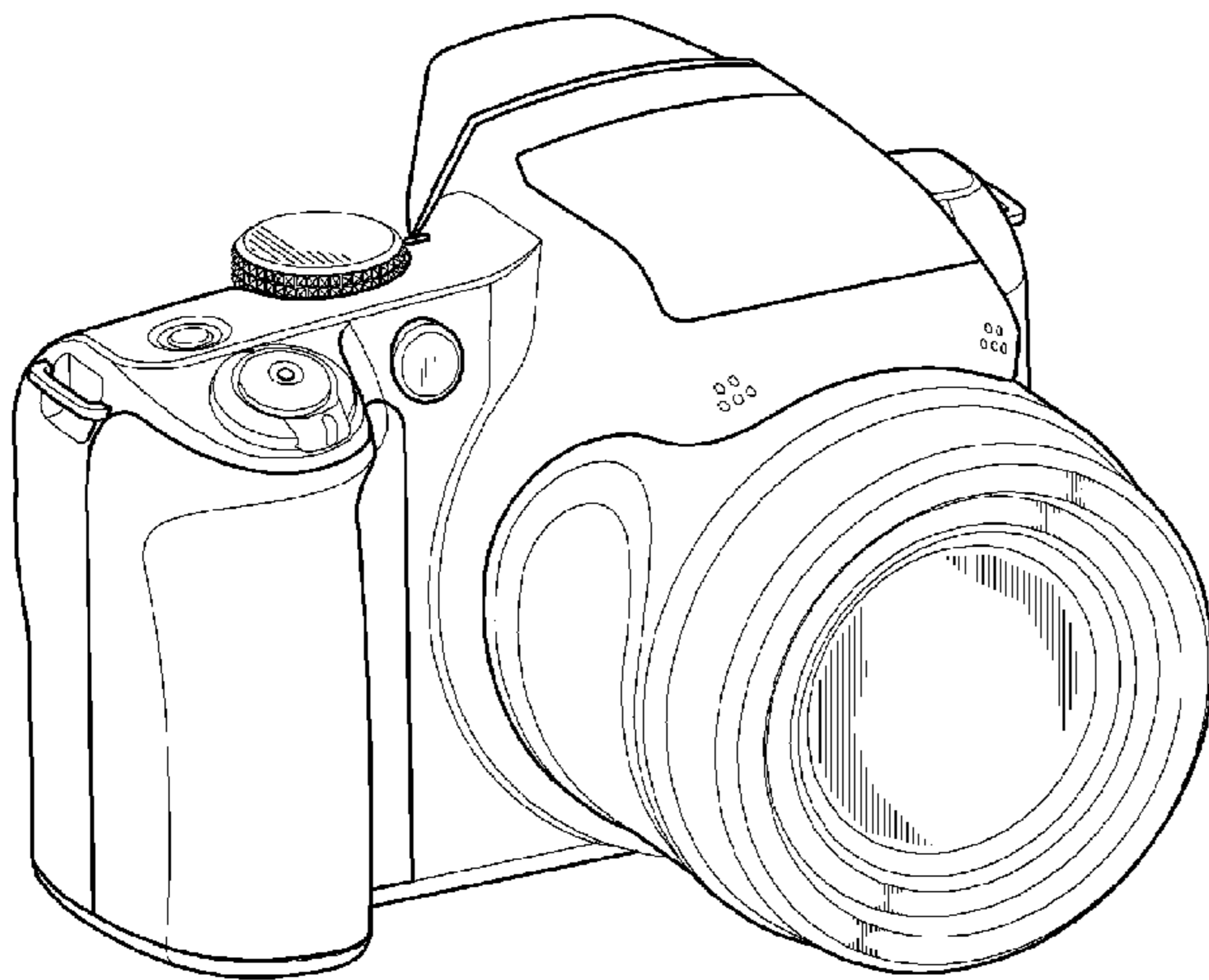


FIG. 1

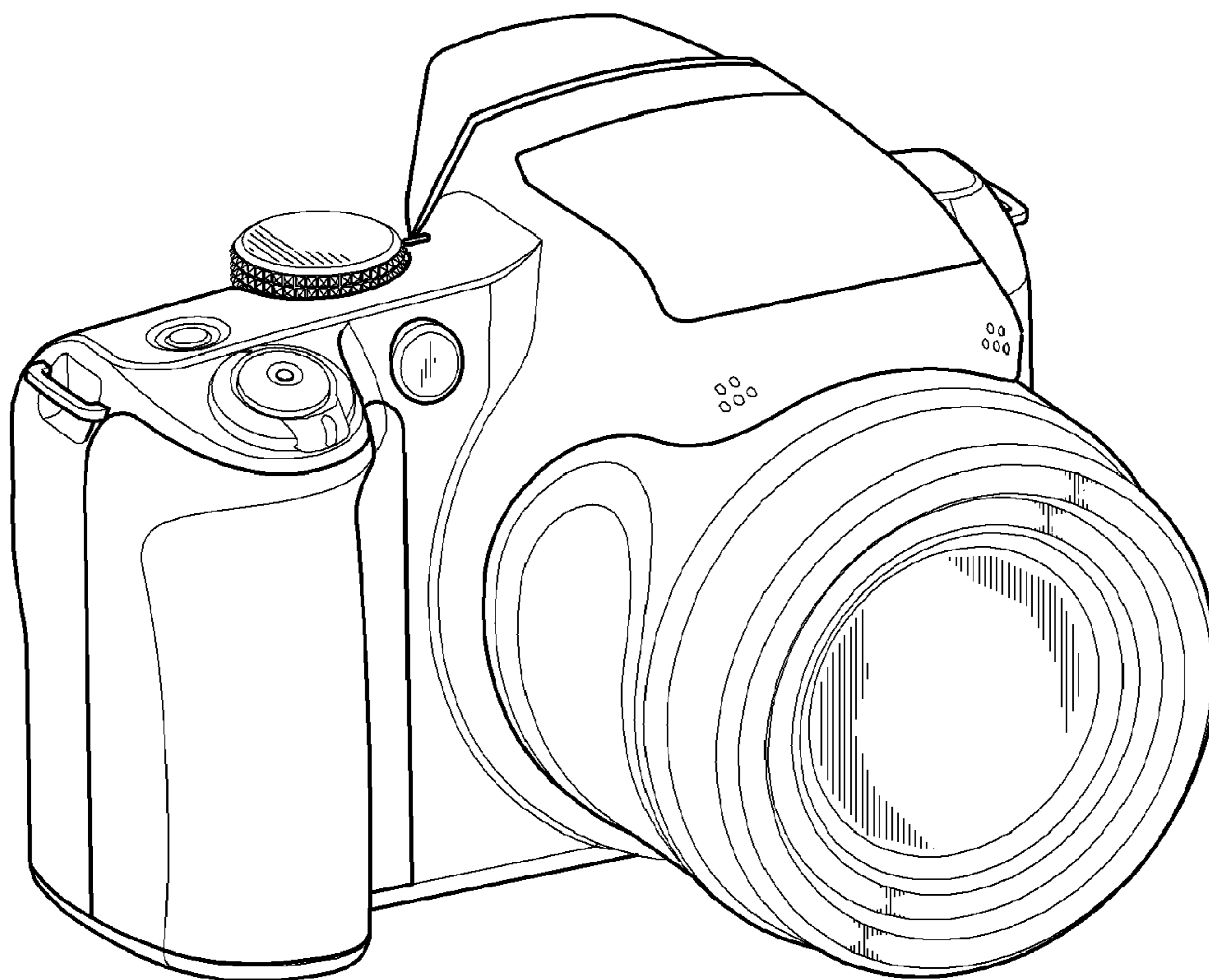


FIG. 2

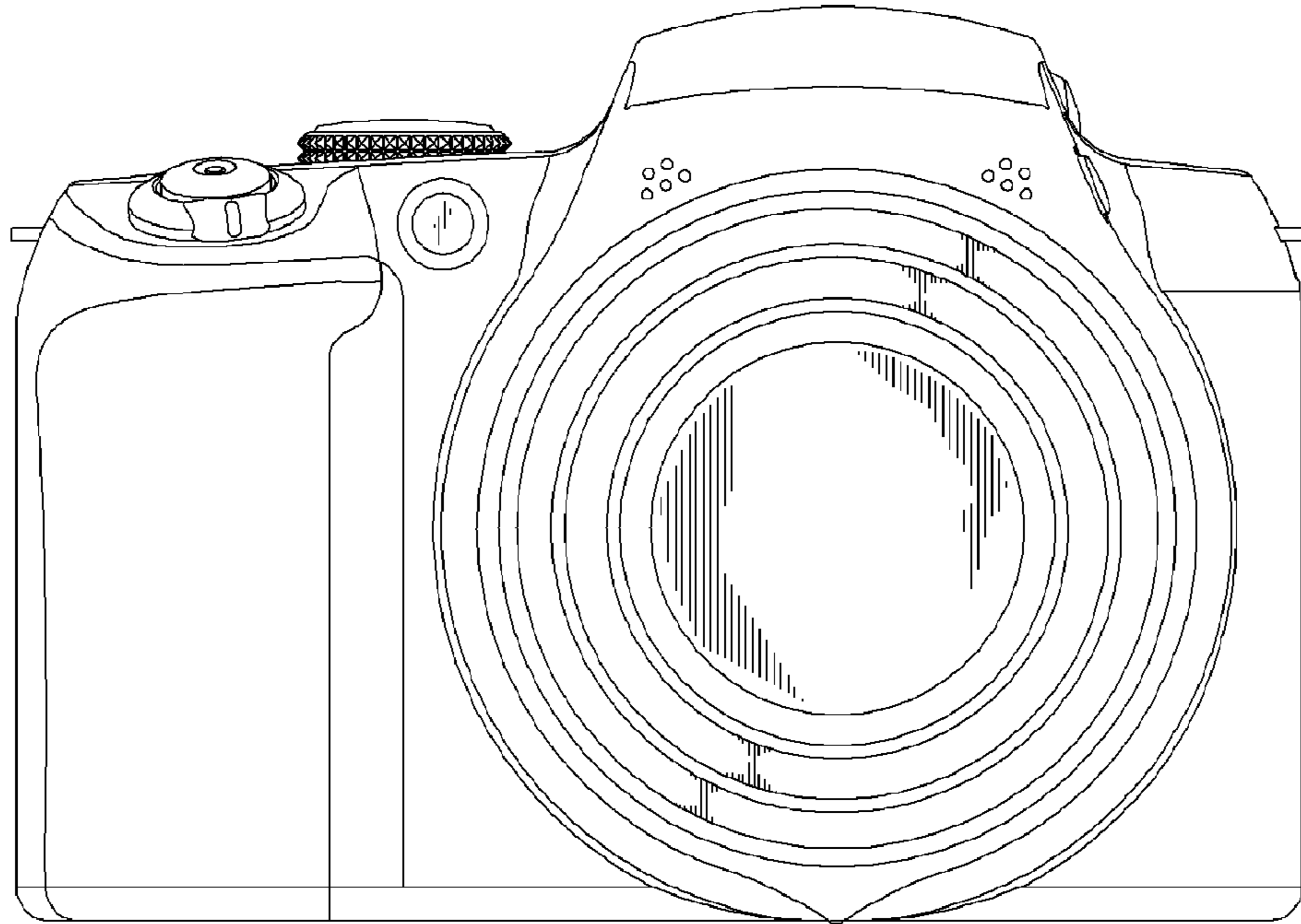


FIG. 3

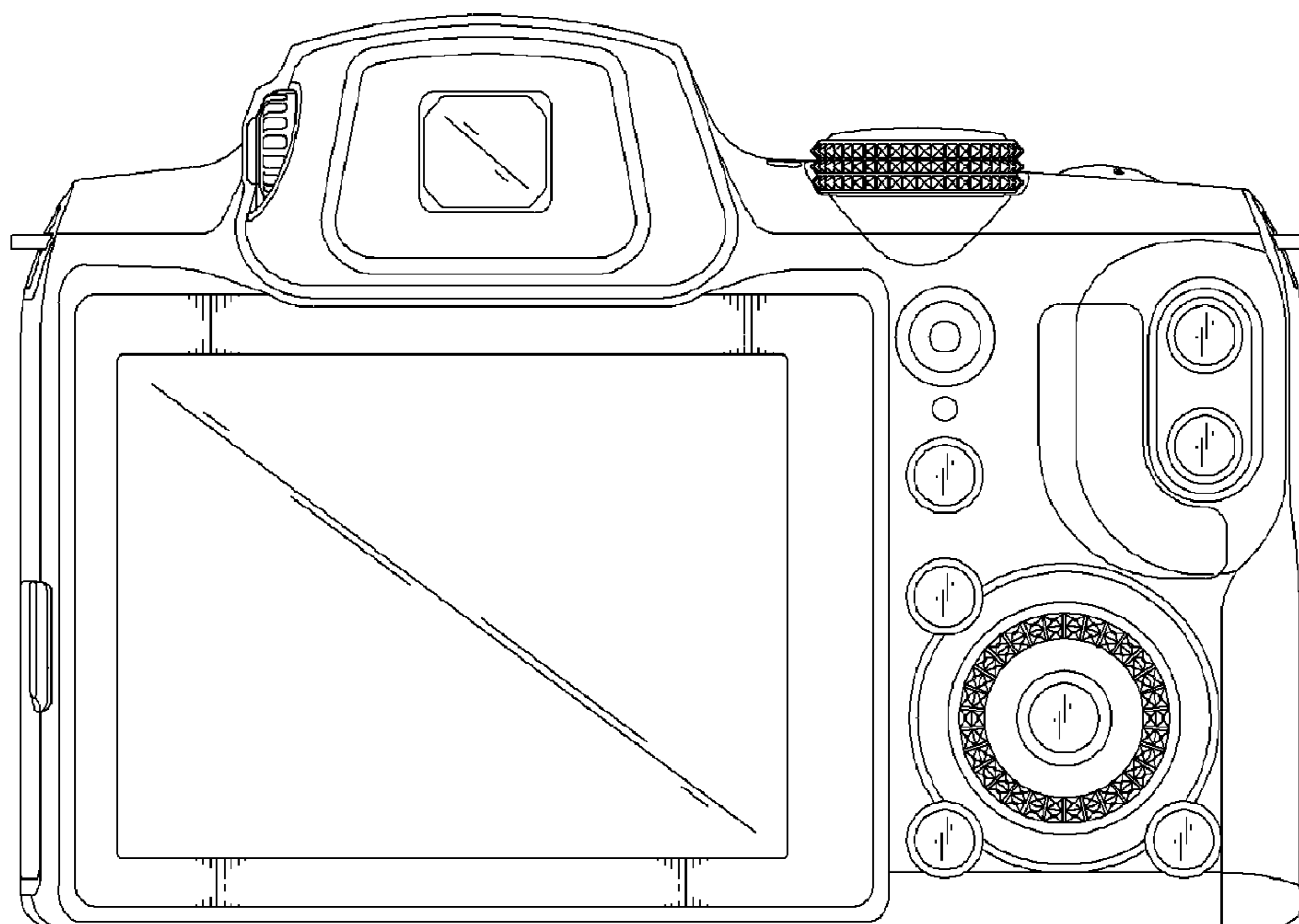


FIG. 4

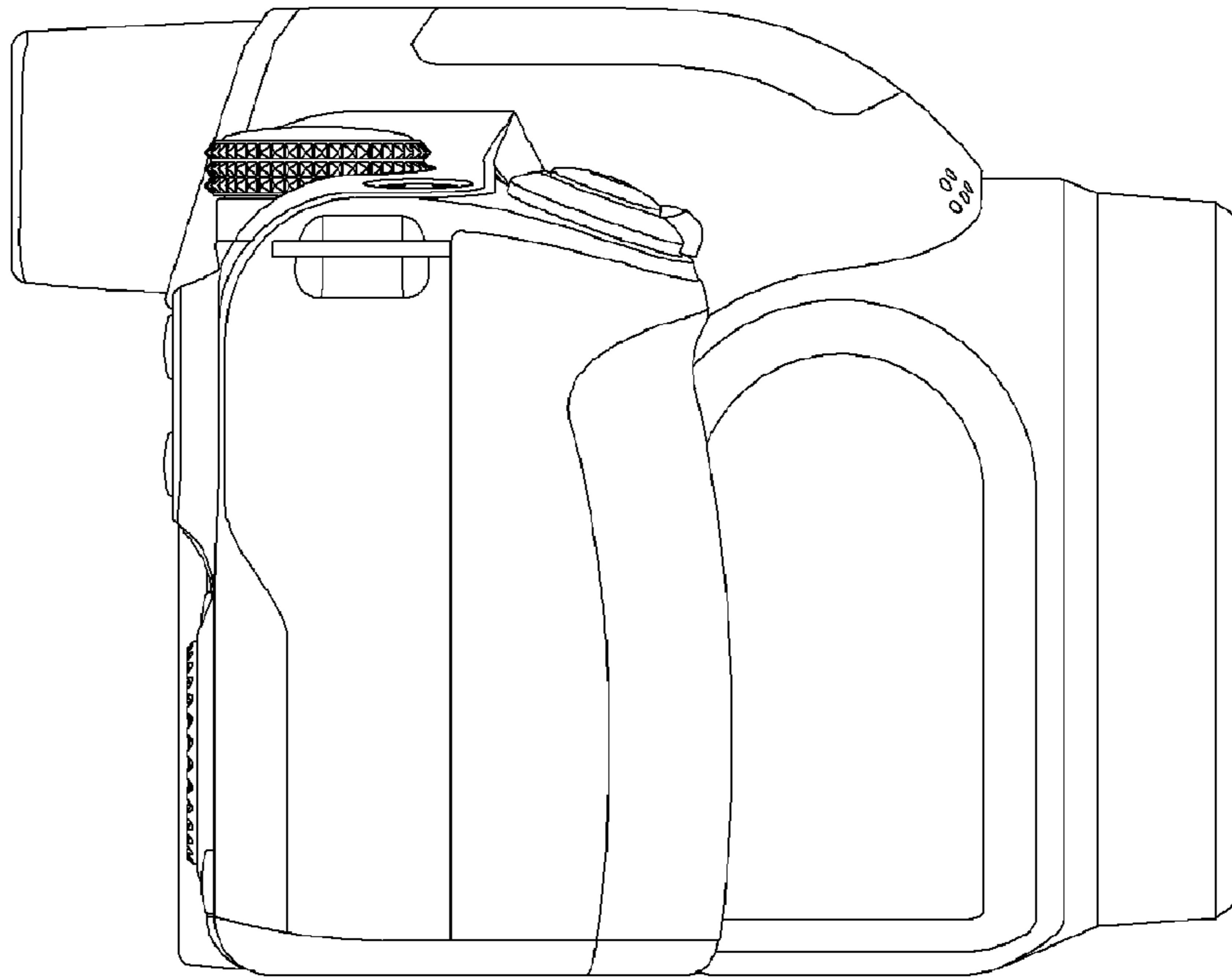


FIG. 5

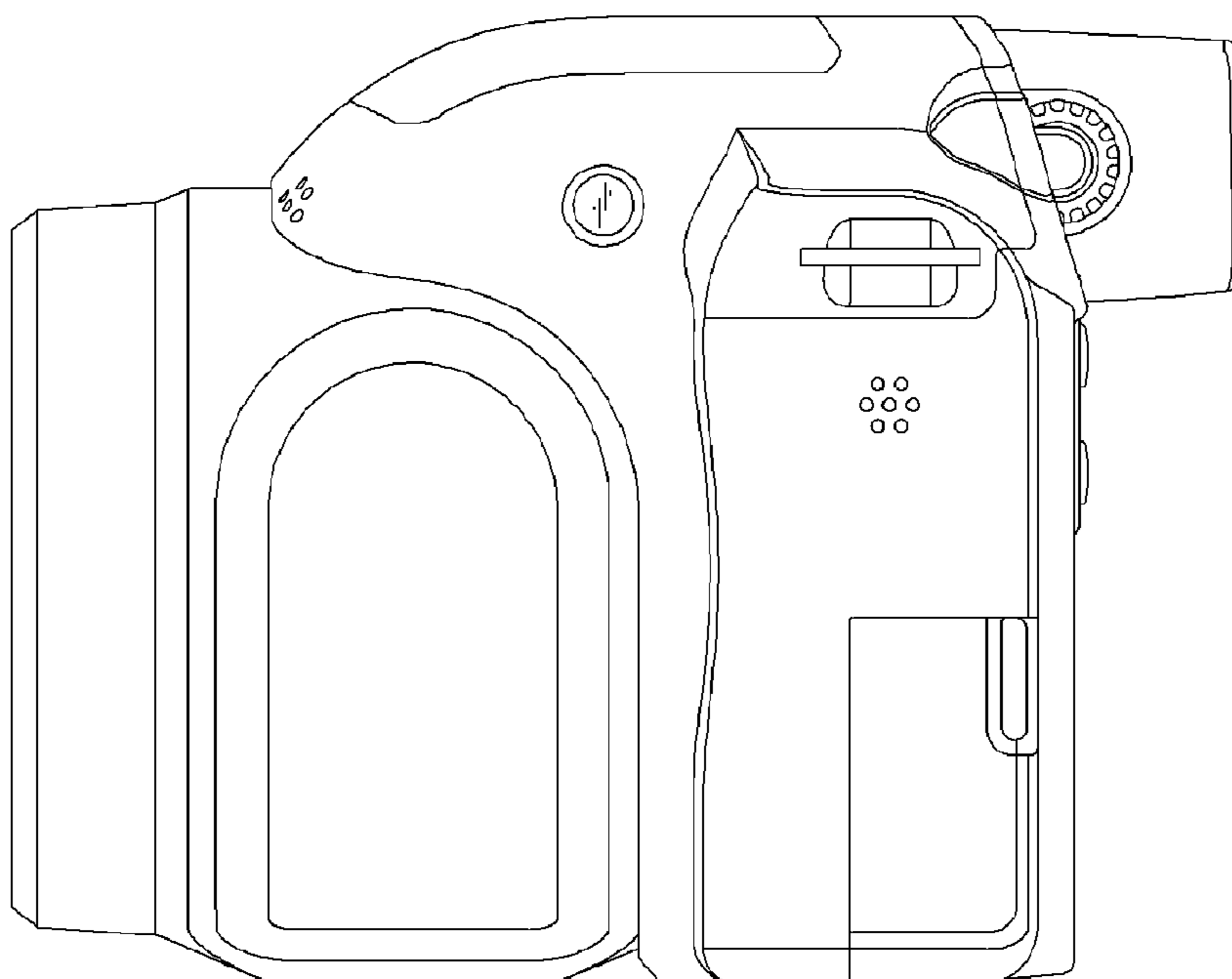


FIG. 6

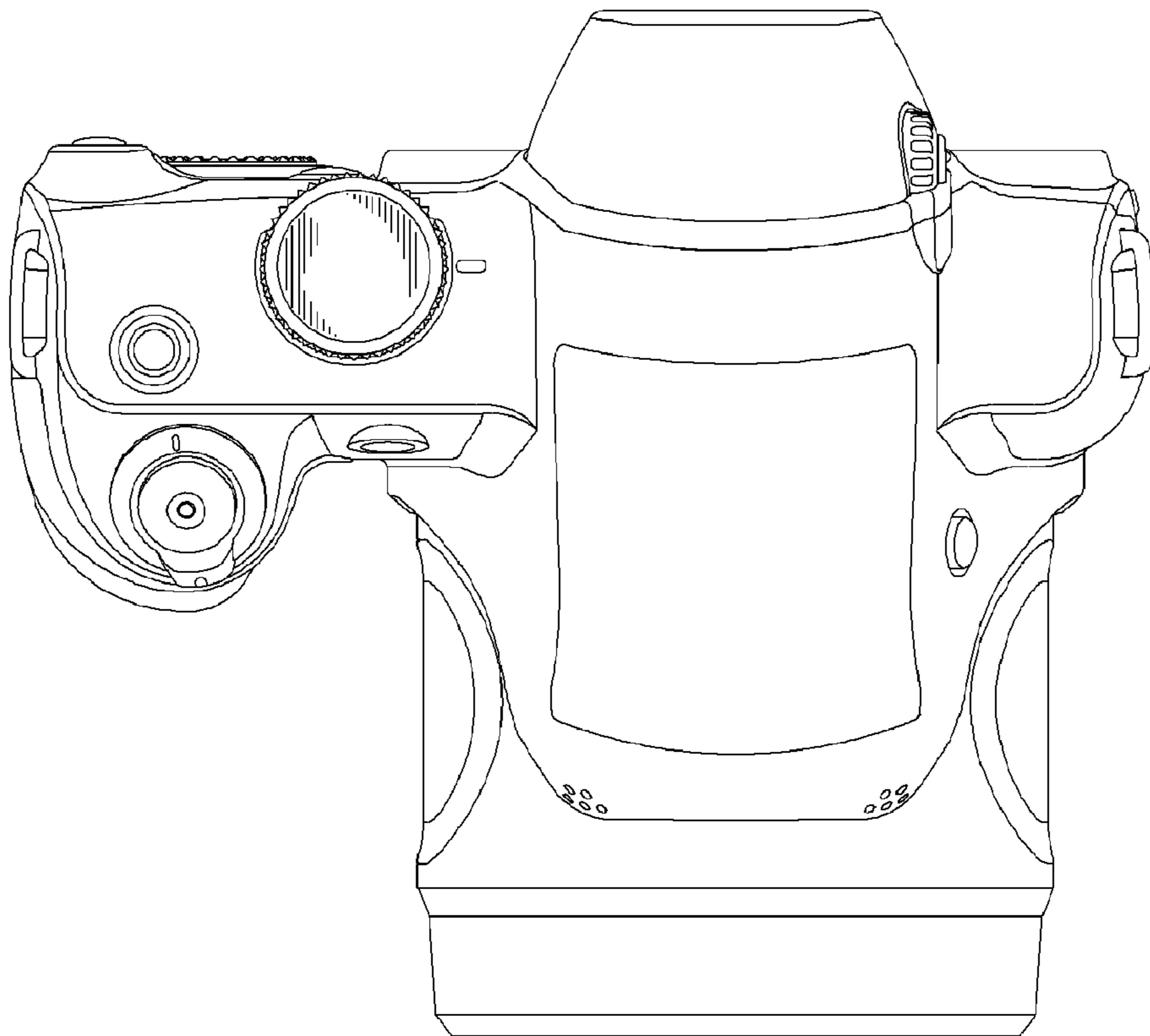


FIG. 7

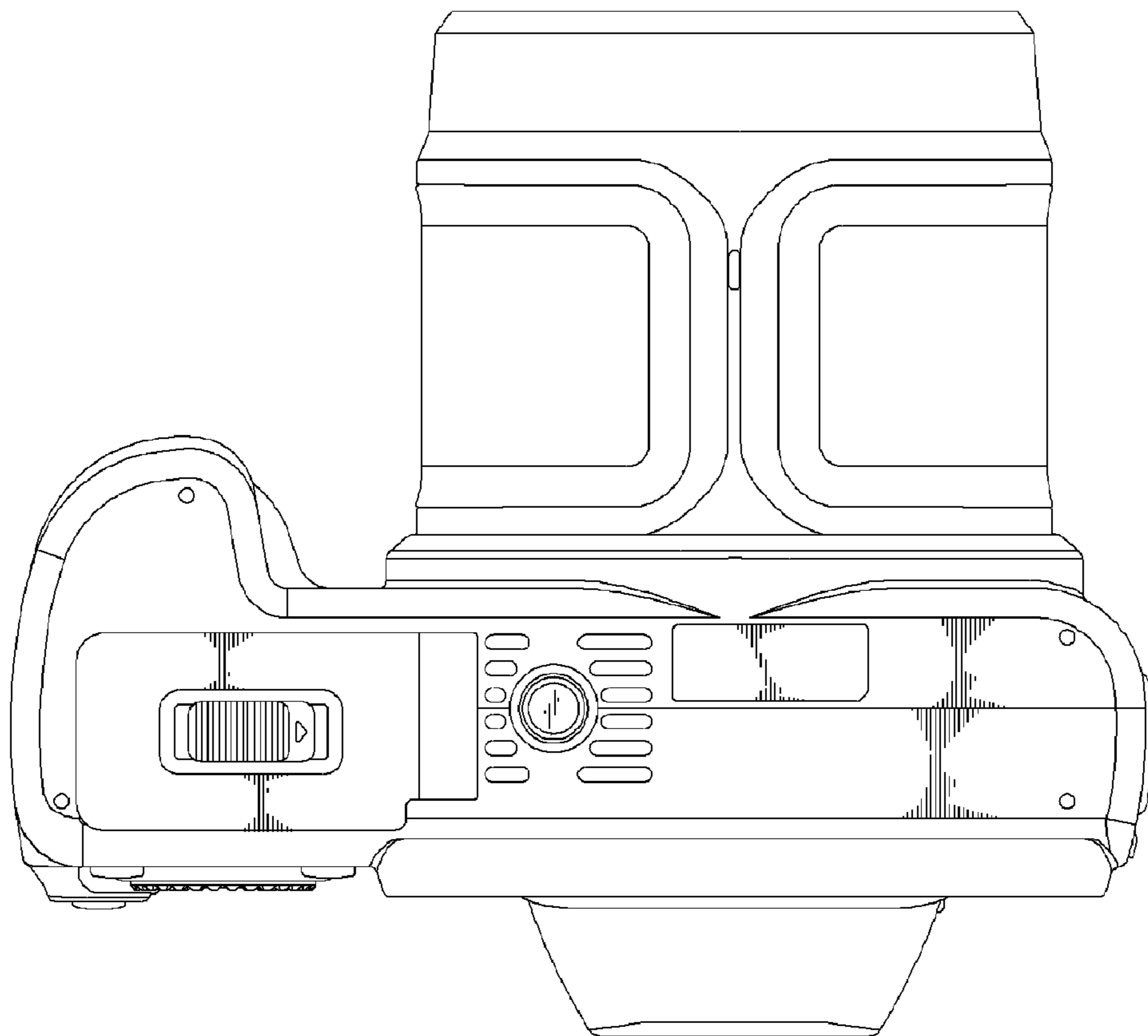


FIG. 8

