



US00D611973S

(12) **United States Design Patent**
York

(10) **Patent No.:** **US D611,973 S**
(45) **Date of Patent:** **** Mar. 16, 2010**

(54) **RIFLESCOPE**

D344,531 S 2/1994 Nemoto

(75) Inventor: **Andrew W. York**, Portland, OR (US)

(73) Assignee: **Leupold & Stevens, Inc.**, Beaverton, OR (US)

(Continued)

FOREIGN PATENT DOCUMENTS

(**) Term: **14 Years**

DE 3326464 A1 1/1985

(21) Appl. No.: **29/314,609**

(22) Filed: **Apr. 14, 2009**

OTHER PUBLICATIONS

U.S. Appl. No. 11/060,444, filed Feb. 16, 2005.

Related U.S. Application Data

(Continued)

(62) Division of application No. 29/326,852, filed on Oct. 24, 2008, now Pat. No. Des. 594,495, which is a division of application No. 29/223,707, filed on Feb. 16, 2005, now Pat. No. Des. 579,471.

Primary Examiner—T. Chase Nelson
Assistant Examiner—David G Muller
(74) *Attorney, Agent, or Firm*—Stoel Rives LLP

(51) **LOC (9) Cl.** **16-06**

(52) **U.S. Cl.** **D16/132; D22/109**

(58) **Field of Classification Search** D22/108–110, D22/199; D16/132, 130, 133, 330, 134; 359/399, 823, 744; 42/111, 133, 119, 122
See application file for complete search history.

(57) **CLAIM**

I claim the ornamental design for a rifle scope, as shown and described.

(56) **References Cited**

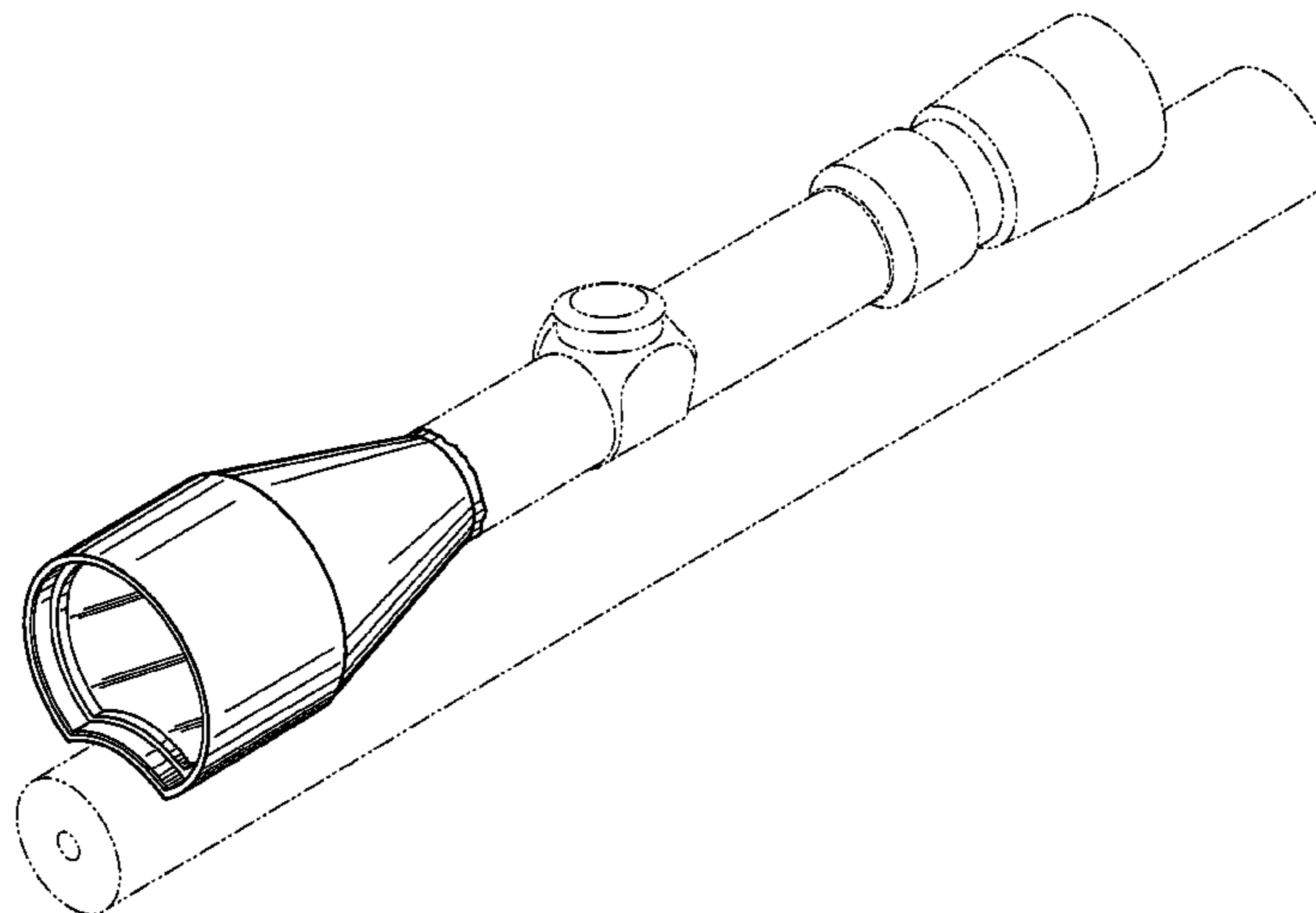
DESCRIPTION

U.S. PATENT DOCUMENTS

2,517,274 A	8/1950	Baker et al.	
3,516,736 A	6/1970	Weaver	
D232,661 S	9/1974	Thompson et al.	
D233,169 S	10/1974	Thompson et al.	
D235,685 S	7/1975	Chesnut	
D235,800 S	7/1975	Van Exel	
D238,513 S	1/1976	Van Exel	
D240,333 S	6/1976	Chesnut	
D275,495 S *	9/1984	Tominaga	D16/132
4,509,282 A	4/1985	McMillon	
4,860,480 A	8/1989	Ruger	
4,940,324 A	7/1990	Nichols	
5,111,587 A	5/1992	Plank	
5,180,875 A *	1/1993	Berry et al.	42/122

FIG. 1 is an isometric view of a rifle scope in accordance with a first embodiment;
FIG. 2 is a left side elevation of the rifle scope of FIG. 1, of which the right side elevation (not shown) is a mirror image;
FIG. 3 is an objective end elevation of the rifle scope of FIG. 1;
FIG. 4 is a top plan view of the rifle scope of FIG. 1; and,
FIG. 5 is a bottom plan view of the rifle scope of FIG. 1.
The broken line showing of parts of the drawings is included for the purpose of illustrating use and environment and forms no part of the claimed design.

1 Claim, 2 Drawing Sheets



US D611,973 S

Page 2

U.S. PATENT DOCUMENTS

D346,392 S 4/1994 Tomita
D349,510 S * 8/1994 Tomita D16/132
D381,387 S 7/1997 Canaday et al.
D385,899 S 11/1997 Murphy et al.
5,787,630 A * 8/1998 Martel 42/125
5,946,132 A * 8/1999 Phillips 359/351
D417,679 S 12/1999 Cross et al.
D421,286 S 2/2000 Tucker
D427,275 S 6/2000 Gilmore
D443,628 S 6/2001 Koshibe et al.
6,269,581 B1 * 8/2001 Groh 42/122
6,279,259 B1 8/2001 Otteman
6,327,806 B1 12/2001 Paige
D454,144 S * 3/2002 Ogasawara et al. D16/132
D476,714 S * 7/2003 Meinzer D22/109
6,691,447 B1 2/2004 Otteman
6,811,268 B2 11/2004 Watson
D510,945 S 10/2005 Do
D515,118 S * 2/2006 Larsson et al. D16/132
D516,156 S 2/2006 Crandall
D522,084 S * 5/2006 Primeau, IV D22/109
7,051,469 B1 5/2006 Pochapsky
7,072,124 B2 7/2006 Wilt et al.
D534,193 S 12/2006 Ono
D550,263 S * 9/2007 Zhou D16/132
7,275,343 B2 10/2007 York
D563,501 S * 3/2008 Salva D22/109
D564,001 S * 3/2008 Pernstich et al. D16/132
7,346,400 B2 * 3/2008 Cross et al. 42/119
D567,894 S * 4/2008 Sterling et al. D22/108
7,350,329 B1 * 4/2008 Bell et al. 42/122

7,369,302 B2 * 5/2008 Gaber 359/399
7,375,881 B2 * 5/2008 Regan et al. 359/399
D572,740 S * 7/2008 Kitera D16/132
D573,167 S * 7/2008 Kitera D16/134
D573,625 S * 7/2008 Watanabe D16/134
D579,960 S * 11/2008 Kung D16/132
2002/0039242 A1 4/2002 Sasaki et al.
2006/0179702 A1 8/2006 York
2007/0062091 A1 3/2007 Thomas et al.
2008/0016748 A1 * 1/2008 Murg et al. 42/122
2008/0028663 A1 * 2/2008 Day 42/122
2008/0098640 A1 * 5/2008 Sammut et al. 42/122

OTHER PUBLICATIONS

USPTO, Office Action dated Feb. 27, 2007, U.S. Appl. No. 11/060,444.
Omnitech Partners, Inc., Universal Night Sight Family—UNS-XR®, <http://www.omnitechpartners.com/osti/products/uns-xr.htm>, visited Mar. 7, 2007 (publication date unknown), 1 page.
Redfield, Low Profile Widefield, 1986, 1 page.
Redfield, Low profile, Widefield, 1997, 1 page.
Tasco, EXP Extreme Performance Riflescopes, 2001, 2 pages.
Omnitech Partners, Inc., OSTI Optical Systems Technology Star*Tron Night Vision Products—Muns Magnum Universal Night Sight, product brochure, copyright 2006 (month unknown), 2 pages.
U.S. Government Accountability Office, Decision: Matter of Optical Systems Technology, Inc., file Nos. B-296516.2; B-296516.3, Mar. 17, 2006, 11 pages.
U.S. Appl. No. 11/809,199, filed May 30, 2007.
U.S. Appl. No. 29/306,956, filed Apr. 18, 2008.
U.S. Appl. No. 29/223,707, filed Feb. 16, 2005.

* cited by examiner

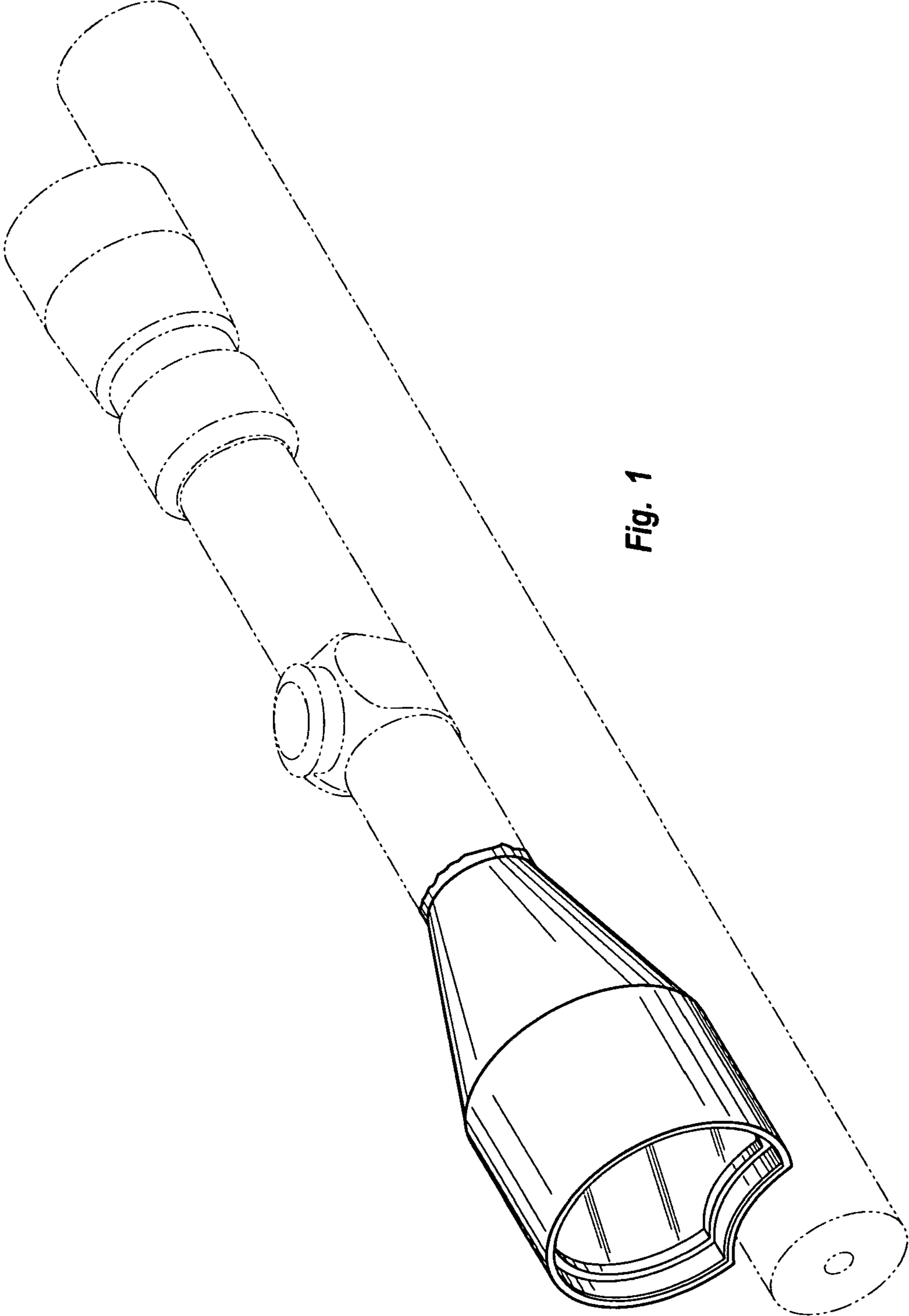


Fig. 1

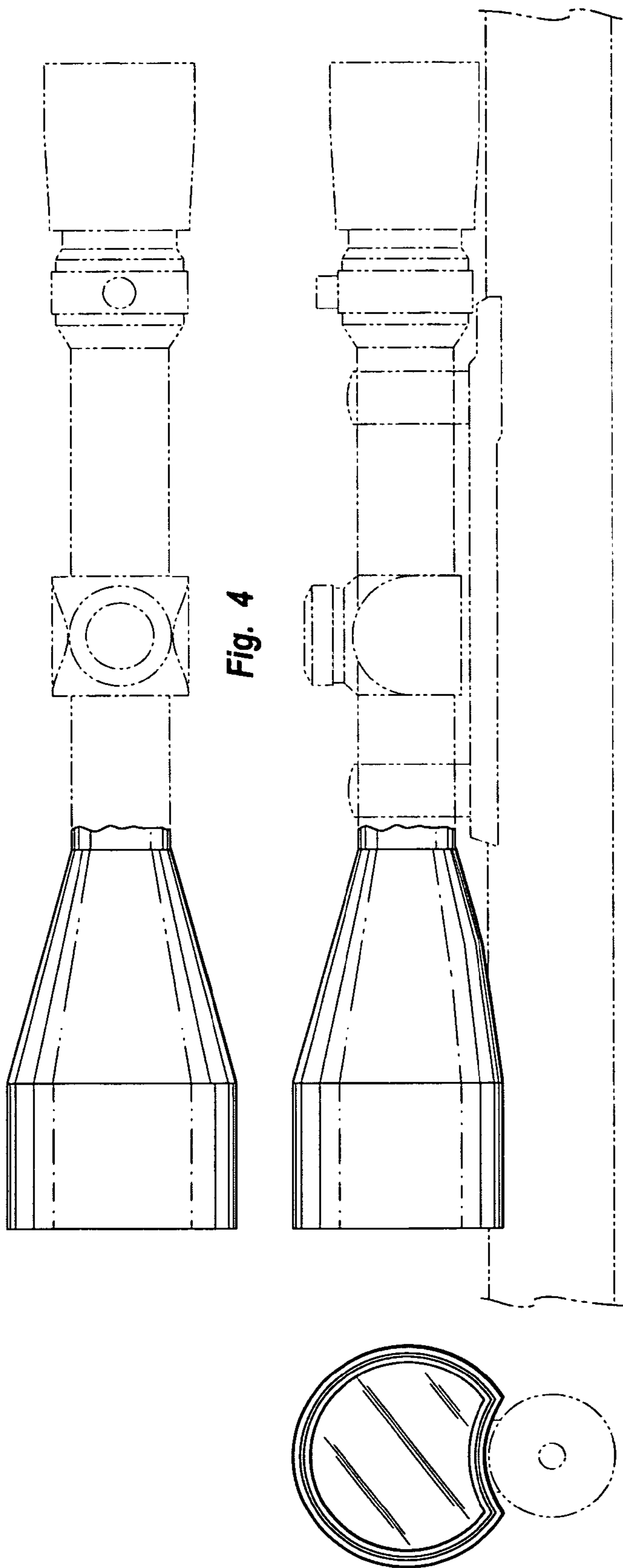


Fig. 2

Fig. 3

Fig. 4

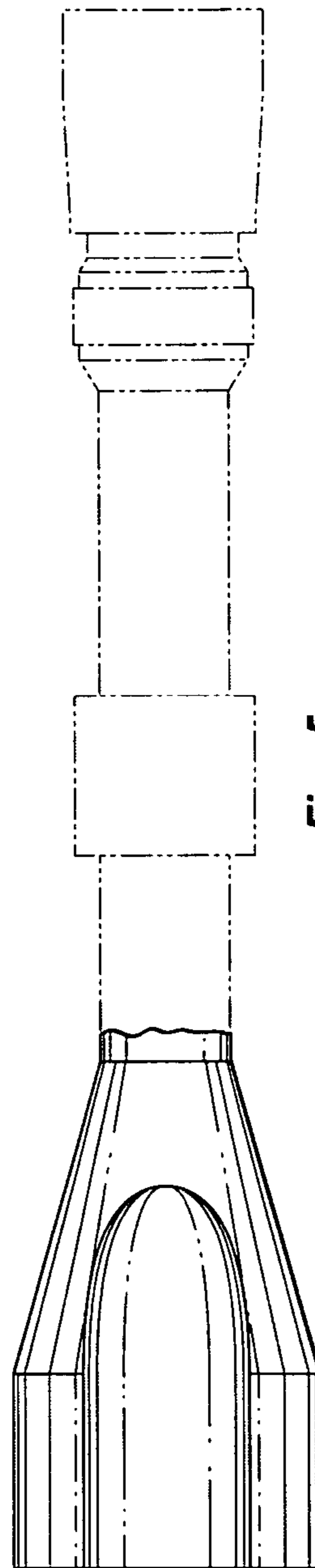


Fig. 5