



US00D611972S

(12) **United States Design Patent**
Apothéloz

(10) **Patent No.:** **US D611,972 S**
(45) **Date of Patent:** **** Mar. 16, 2010**

(54) **MICROSCOPE**

(75) Inventor: **Christophe Apothéloz**, Zurich (CH)

(73) Assignee: **Leica Microsystems (Schweiz) AG**,
Heerbrugg (CH)

(**) Term: **14 Years**

(21) Appl. No.: **29/333,144**

(22) Filed: **Mar. 4, 2009**

(30) **Foreign Application Priority Data**

Sep. 18, 2008 (DE) 40 2008 004 449

(51) **LOC (9) Cl.** **16-06**

(52) **U.S. Cl.** **D16/131**

(58) **Field of Classification Search** D16/131;
359/361, 368, 376, 377, 378, 379, 380, 381,
359/382, 383, 384, 385, 388, 390, 393
See application file for complete search history.

(56) **References Cited**

U.S. PATENT DOCUMENTS

407,192	A *	7/1889	Frost	359/394
2,004,807	A *	6/1935	Fassin	396/432
3,508,835	A *	4/1970	Ware	356/396
3,512,860	A *	5/1970	Hansen et al.	359/377
3,637,283	A *	1/1972	Tasaki et al.	359/376
3,798,665	A *	3/1974	Eloranta et al.	396/432
4,729,646	A *	3/1988	Clark et al.	359/383
D345,748	S *	4/1994	Holbl	D16/131
D355,430	S *	2/1995	Hofmann-Igl	D16/131
5,841,576	A *	11/1998	Aikawa	359/383
D423,029	S *	4/2000	Kawahata	D16/131
6,137,628	A *	10/2000	Kraft et al.	359/394
D439,258	S *	3/2001	Kawahata	D16/131

D457,178	S *	5/2002	Knoblich et al.	D16/131
D460,096	S *	7/2002	Apotheloz	D16/131
D460,772	S *	7/2002	Apotheloz	D16/131
D461,201	S *	8/2002	Apotheloz	D16/131
D465,799	S *	11/2002	Asaka et al.	D16/131
6,628,458	B1 *	9/2003	Brock	359/383
D498,247	S *	11/2004	Suzuki et al.	D16/131
D540,835	S *	4/2007	Apotheloz	D16/131
D546,355	S *	7/2007	Apotheloz	D16/131
D546,356	S *	7/2007	Apotheloz	D16/131
D546,357	S *	7/2007	Apotheloz	D16/135
7,253,947	B2 *	8/2007	Bromage et al.	359/368
D577,047	S *	9/2008	Apotheloz	D16/131
7,538,939	B2 *	5/2009	Zimmerman et al.	359/381
D601,178	S *	9/2009	Apotheloz	D16/131

* cited by examiner

Primary Examiner—Paula Greene

(74) *Attorney, Agent, or Firm*—Crowell & Moring LLP

(57) **CLAIM**

The ornamental design for a microscope, as shown and described.

DESCRIPTION

FIG. 1 is a front, right perspective view of a microscope showing my new design;

FIG. 2 is a right side view thereof;

FIG. 3 is a front view thereof;

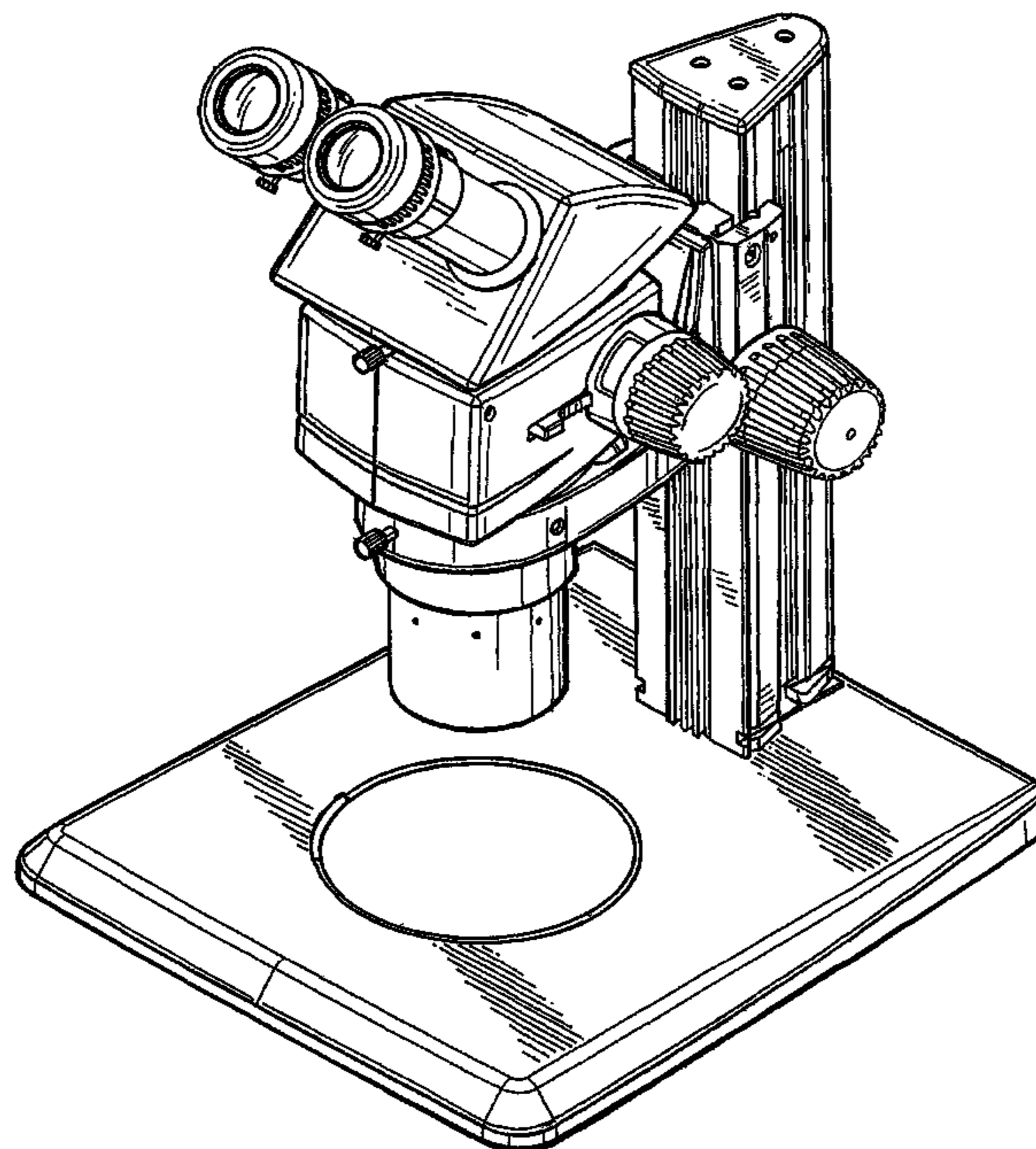
FIG. 4 is a left side view thereof;

FIG. 5 is a rear view thereof; and,

FIG. 6 is a top view thereof. The bottom is not part of the claimed design.

The broken lines form no part of the claimed design.

1 Claim, 6 Drawing Sheets



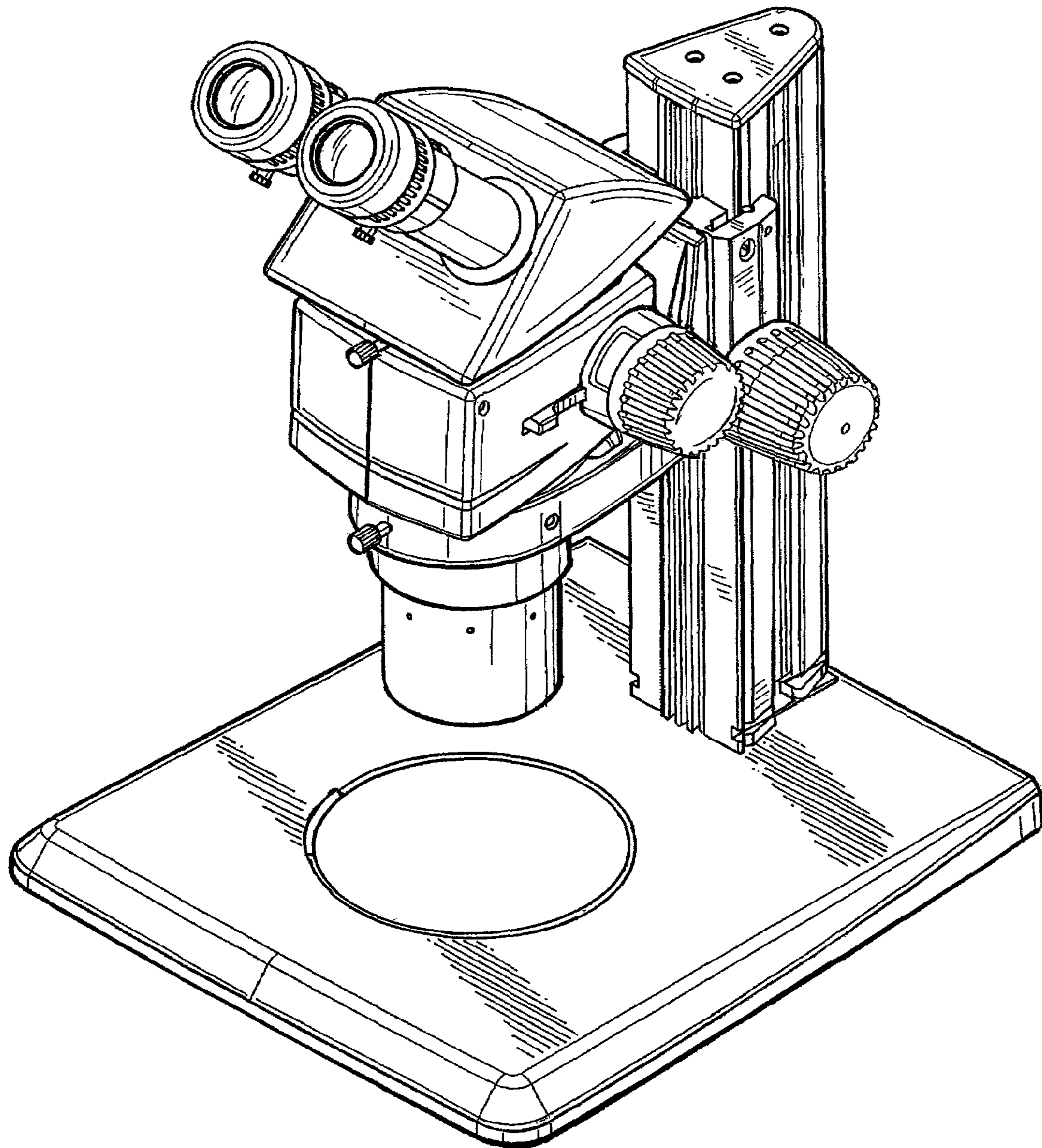


FIG. 1

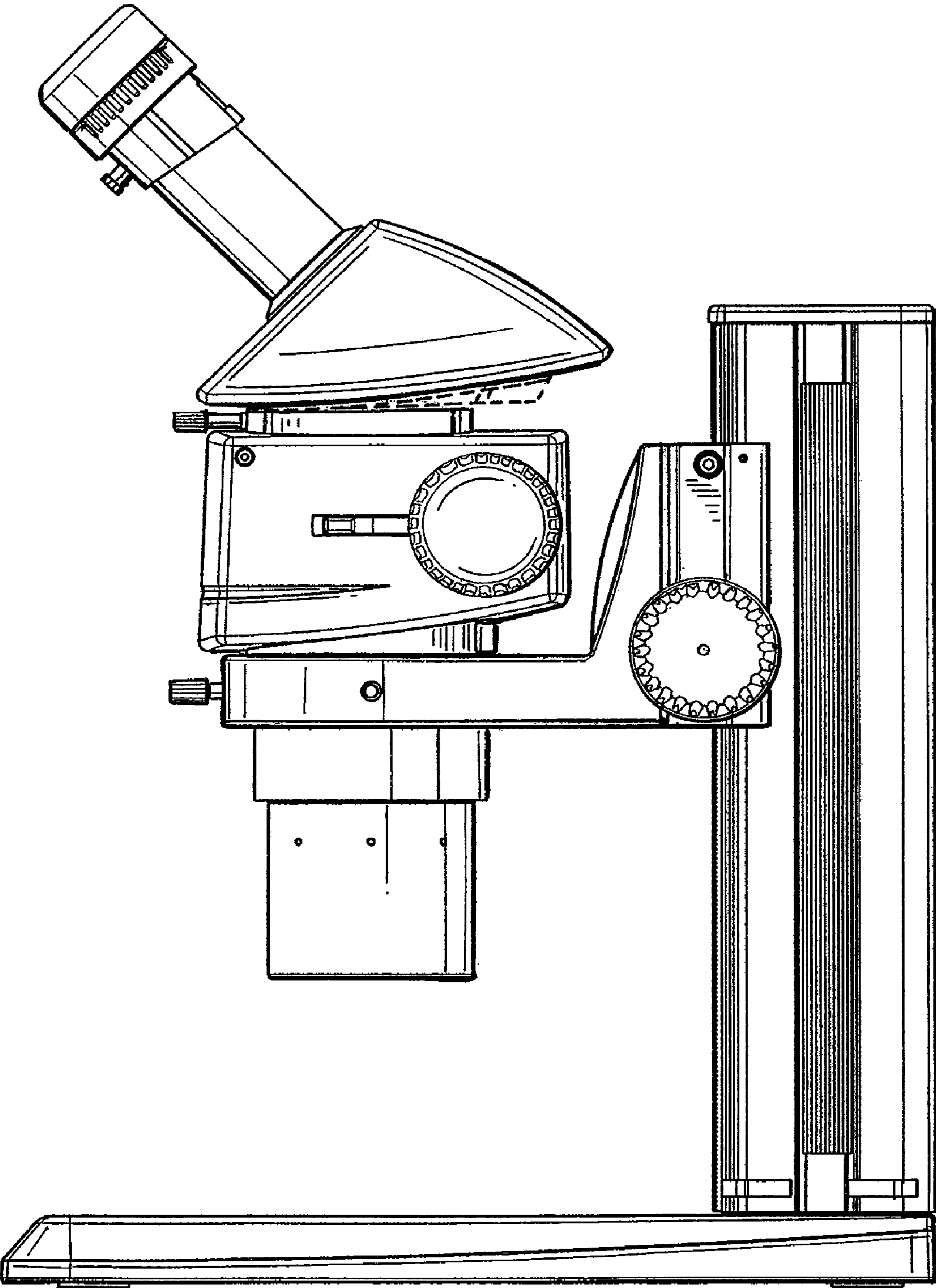


FIG. 2

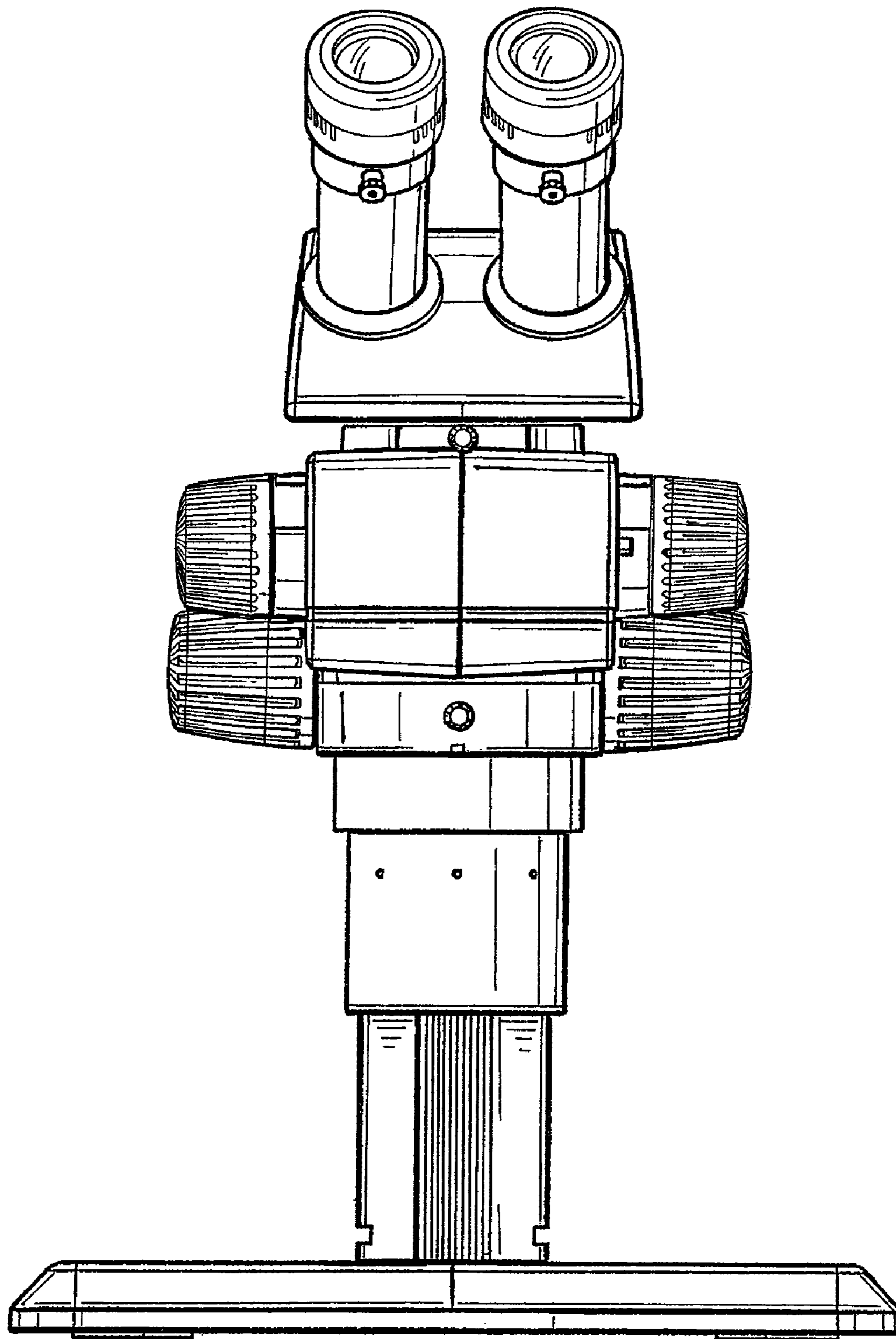


FIG. 3

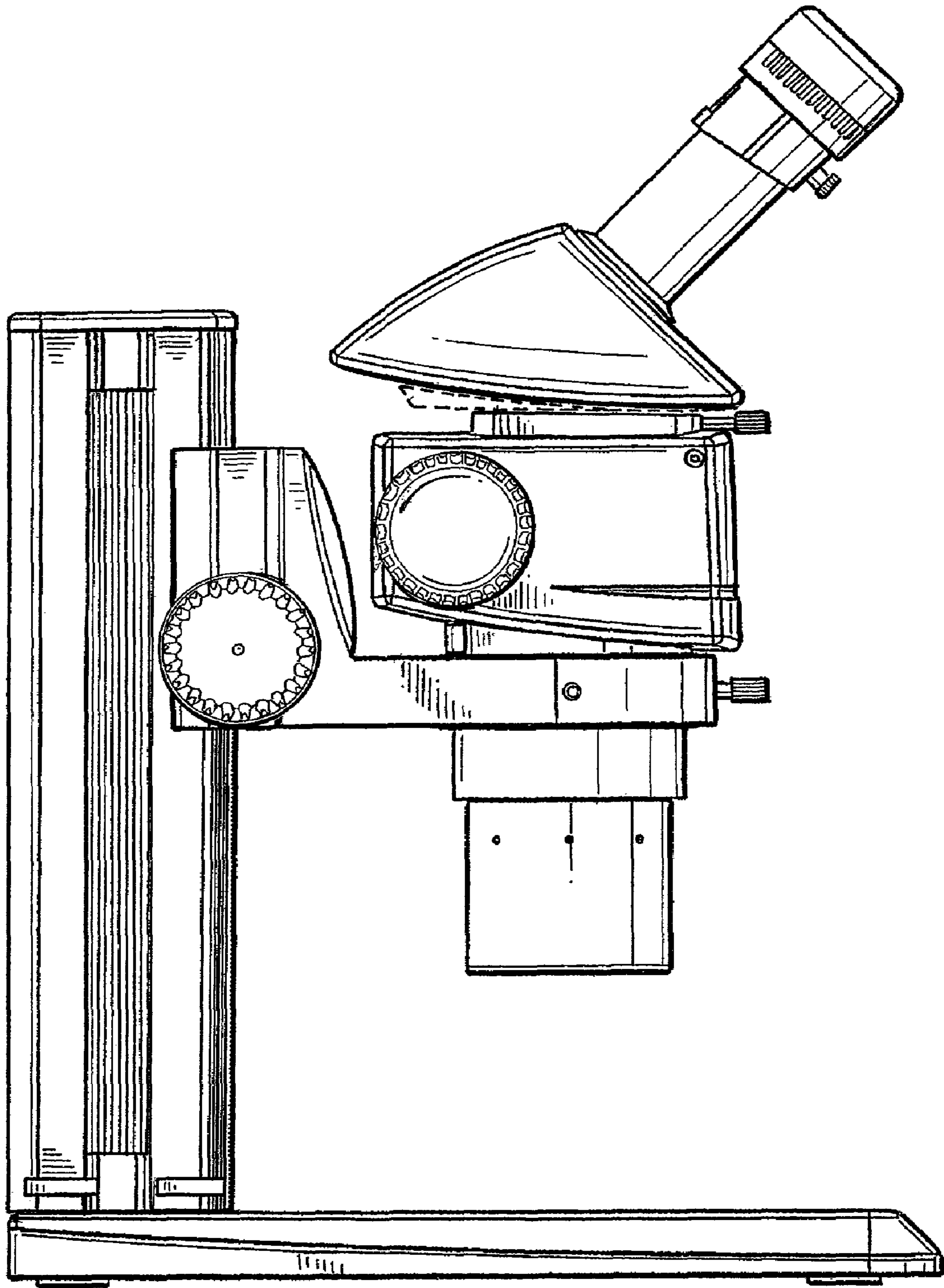


FIG. 4

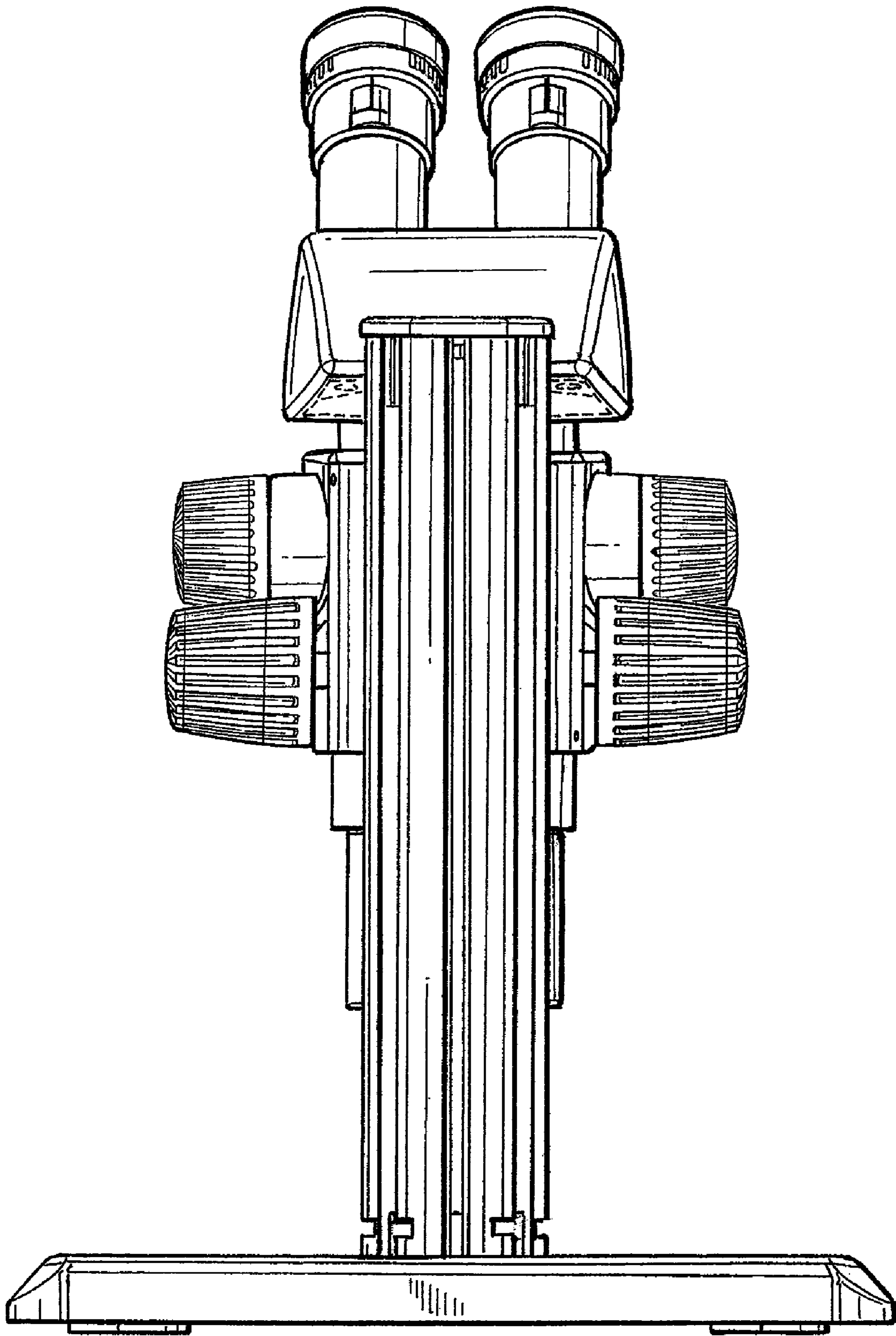


FIG. 5

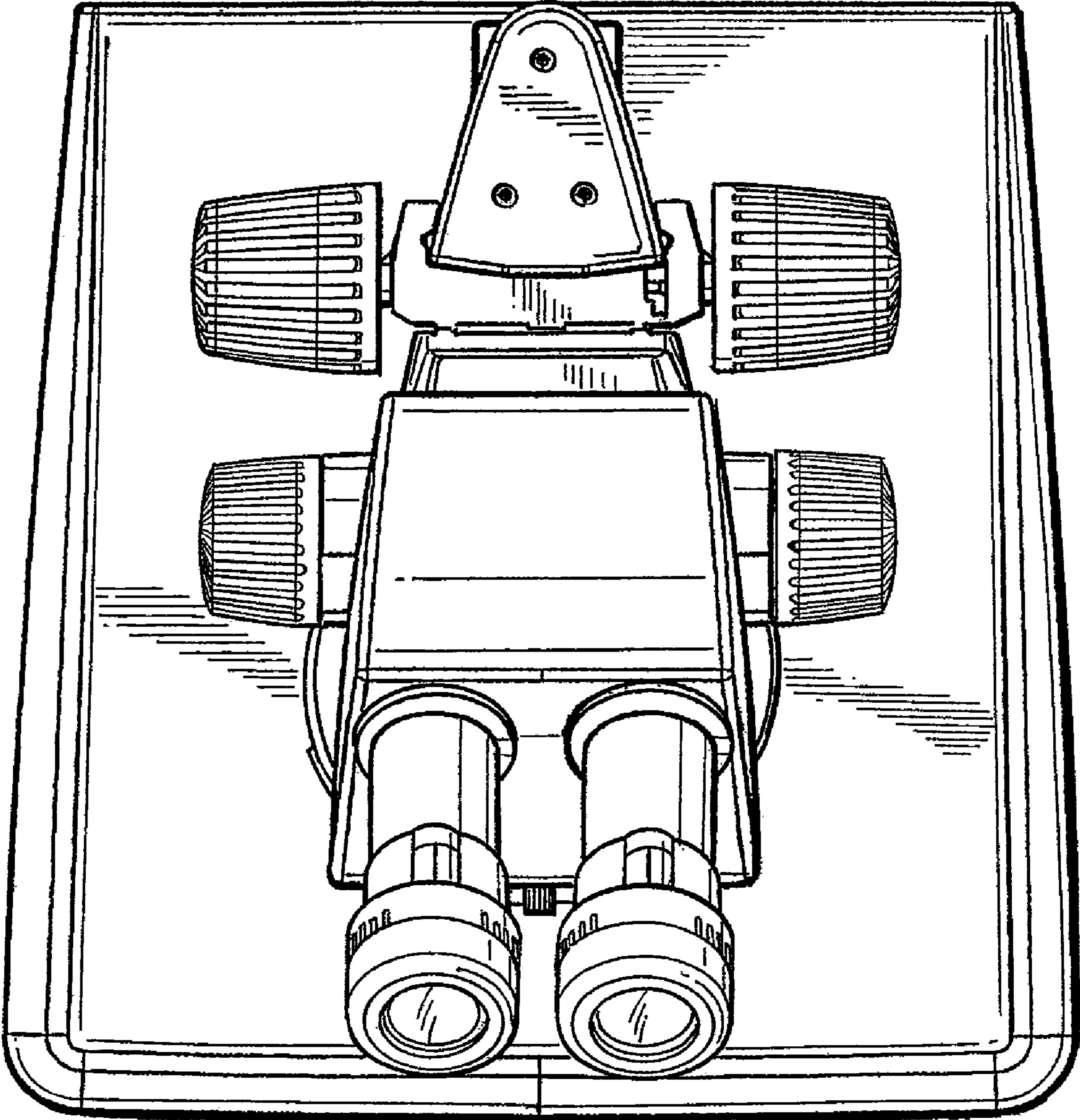


FIG. 6