



US00D611971S

(12) **United States Design Patent**  
**Risse**

(10) **Patent No.:** **US D611,971 S**  
(45) **Date of Patent:** **\*\* Mar. 16, 2010**

(54) **HANDLE OF HOT AIR TOOL**  
(75) Inventor: **Hendrik Risse**, Wuppertal (DE)  
(73) Assignee: **Forsthoff GmbH**, Solingen (DE)  
(\*\*) Term: **14 Years**

D532,432 S \* 11/2006 Owens ..... D15/144  
D537,092 S \* 2/2007 Owens ..... D15/144  
D555,446 S \* 11/2007 Picaza Ibarrodo ..... D8/30  
D564,319 S \* 3/2008 Tsai ..... D8/30  
D587,975 S \* 3/2009 Aronson et al. .... D8/29.1

(21) Appl. No.: **29/330,528**  
(22) Filed: **Jan. 8, 2009**

\* cited by examiner  
*Primary Examiner*—Sandra Snapp  
*Assistant Examiner*—Patricia Palasik  
(74) *Attorney, Agent, or Firm*—Greer, Burns & Crain, Ltd.

(30) **Foreign Application Priority Data**  
Jul. 9, 2008 (EM) ..... 000967302

(57) **CLAIM**

The ornamental design for a handle of hot air tool, as shown and described.

(51) **LOC (9) Cl.** ..... **15-09**  
(52) **U.S. Cl.** ..... **D15/144**  
(58) **Field of Classification Search** ..... D8/29.1,  
D8/29.2, 30; D15/144, 144.2; 34/96, 97;  
392/384, 385, 379, 380, 383, 473, 476, 485,  
392/488, 489; 431/153, 255, 266, 344, 345,  
431/353

**DESCRIPTION**

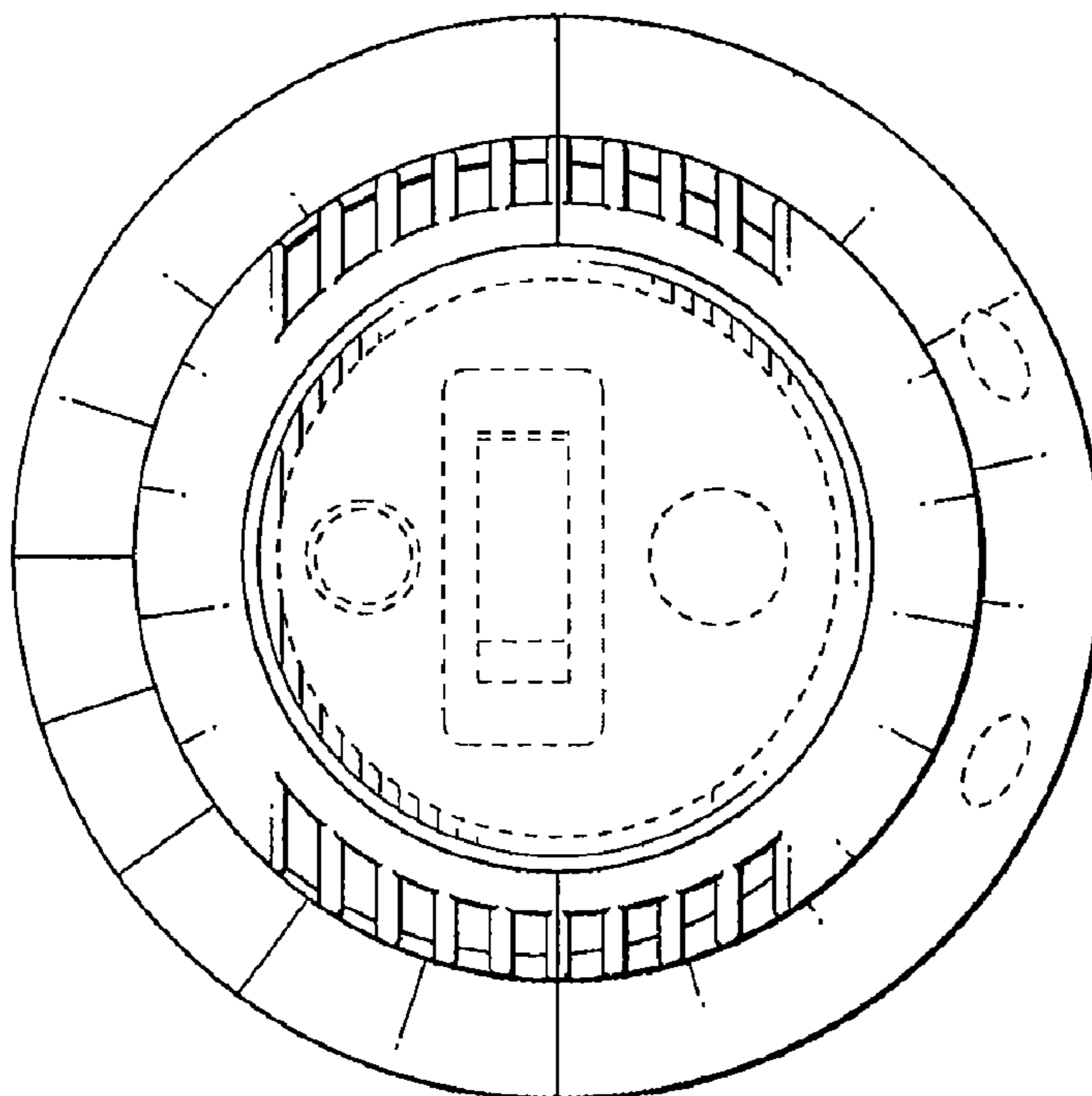
FIG. 1 is a rear view of the handle of hot air tool showing my new design.  
FIG. 2 is a left side view thereof.  
FIG. 3 is a bottom view thereof.  
FIG. 4 is a right side view thereof.  
FIG. 5 is a top view thereof; and,  
FIG. 6 is a front view thereof.

See application file for complete search history.

The broken lines in the drawings depict unclaimed environmental subject matter.

(56) **References Cited**  
U.S. PATENT DOCUMENTS  
D319,768 S \* 9/1991 Smith ..... D8/29.1  
D343,629 S \* 1/1994 Bode ..... D15/144  
D440,991 S \* 4/2001 Fujiwara ..... D15/144.2  
6,763,183 B1 \* 7/2004 Huang ..... 392/384

**1 Claim, 6 Drawing Sheets**



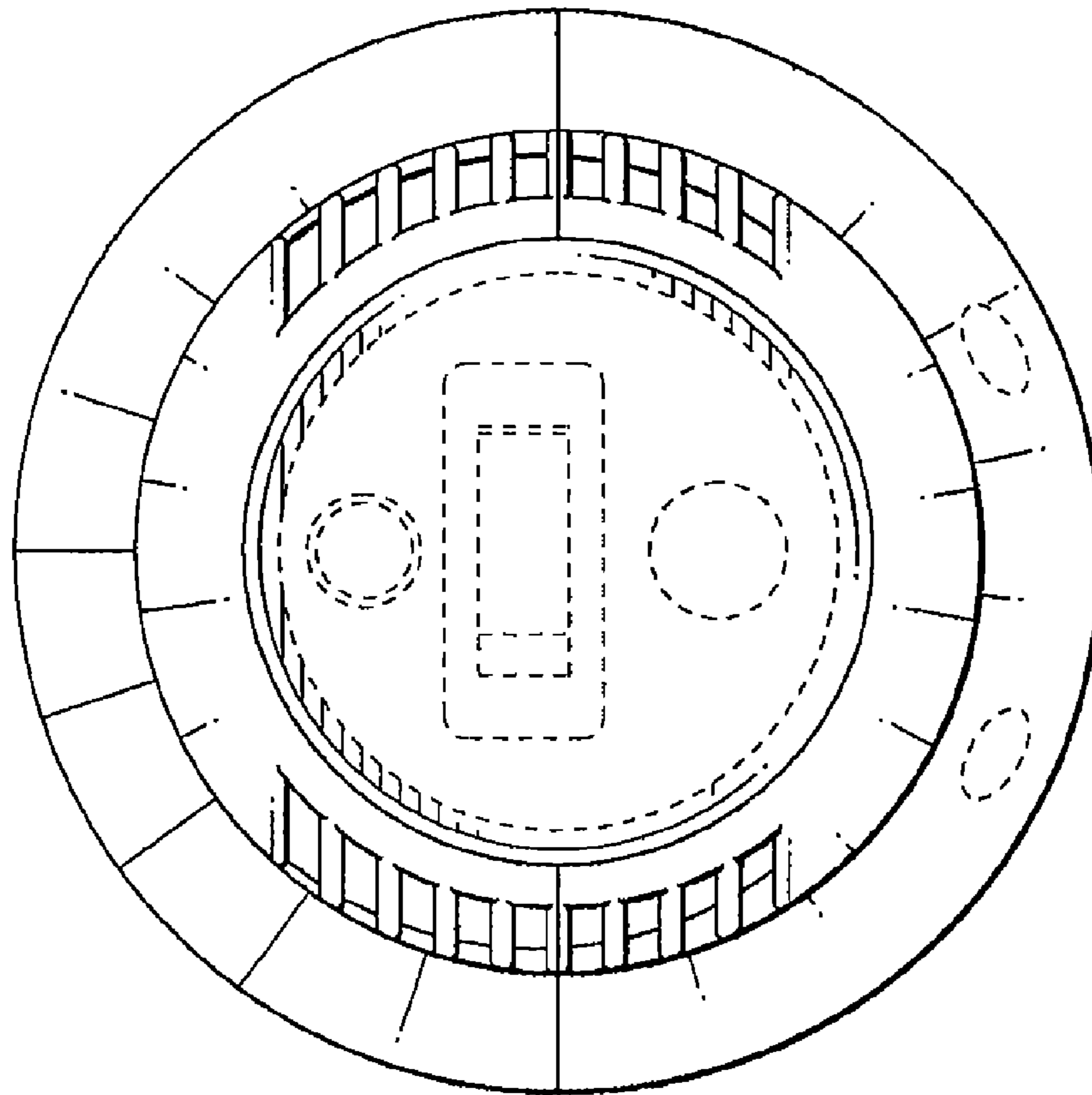


FIG. 1

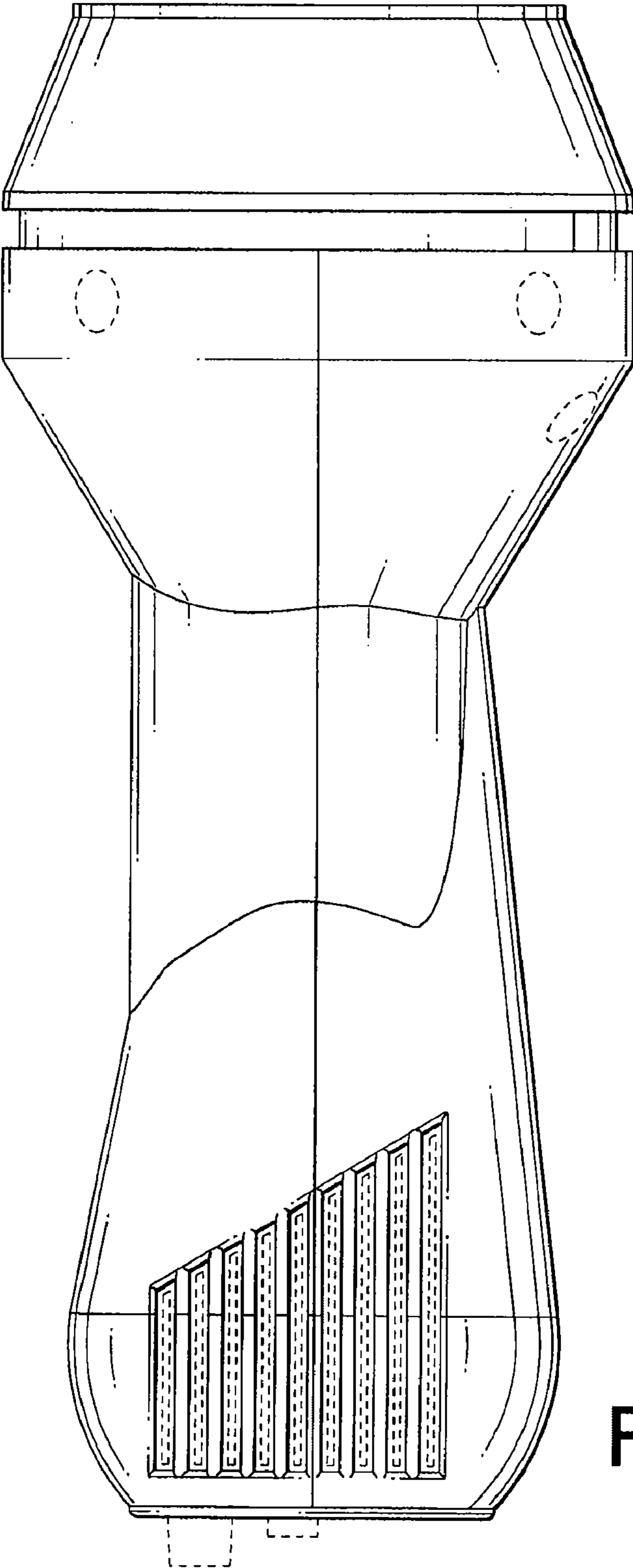


FIG. 2

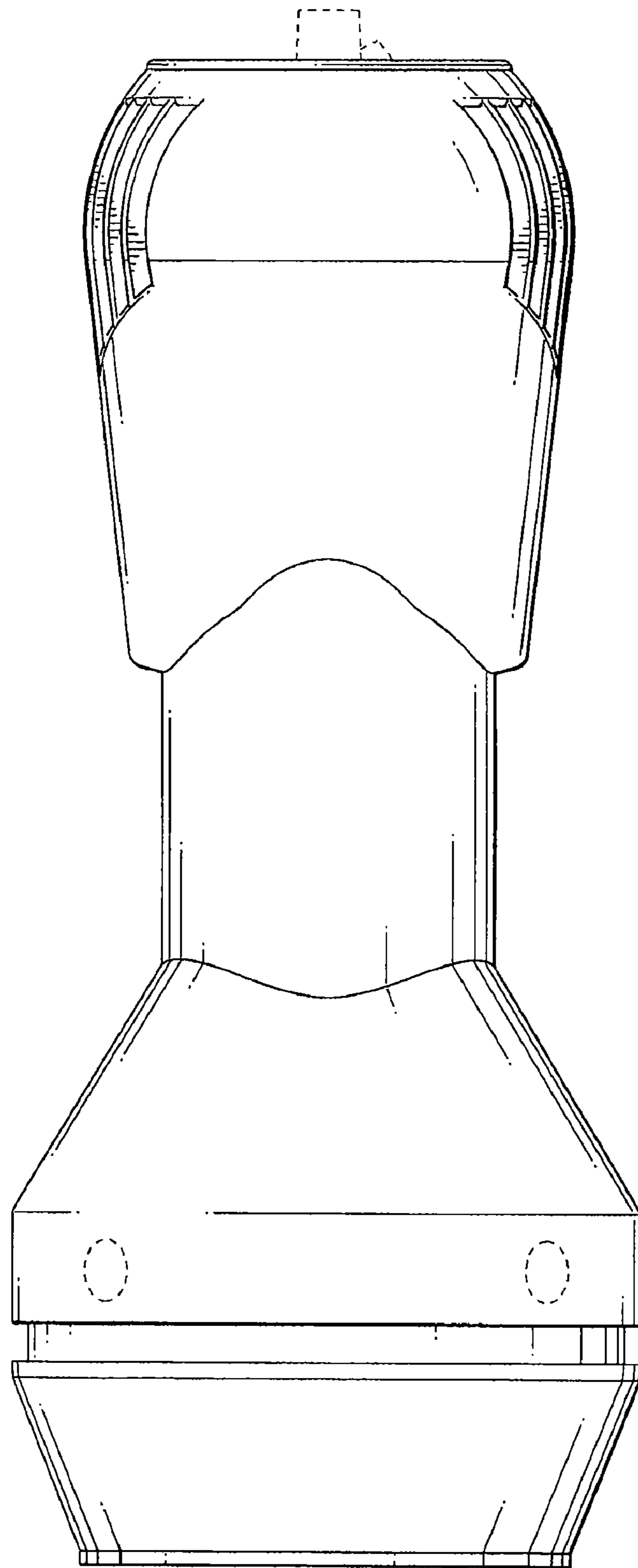


FIG. 3

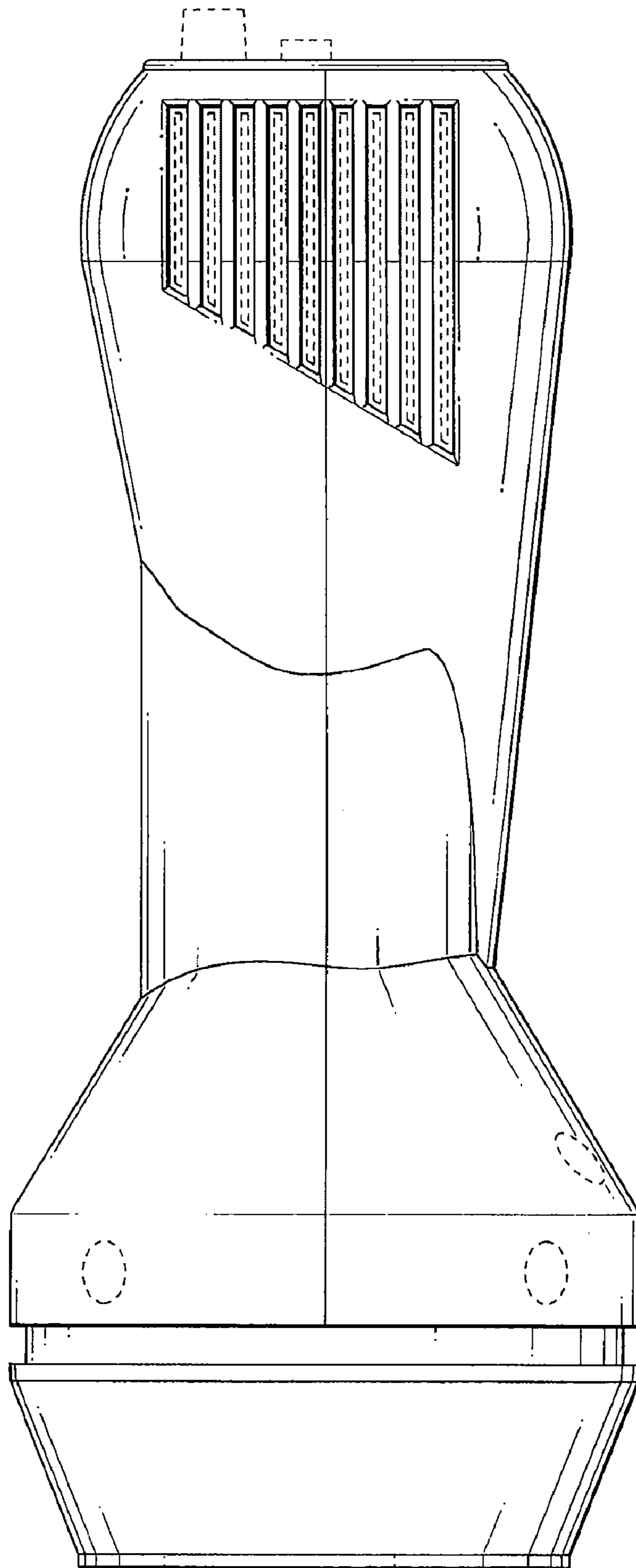


FIG. 4

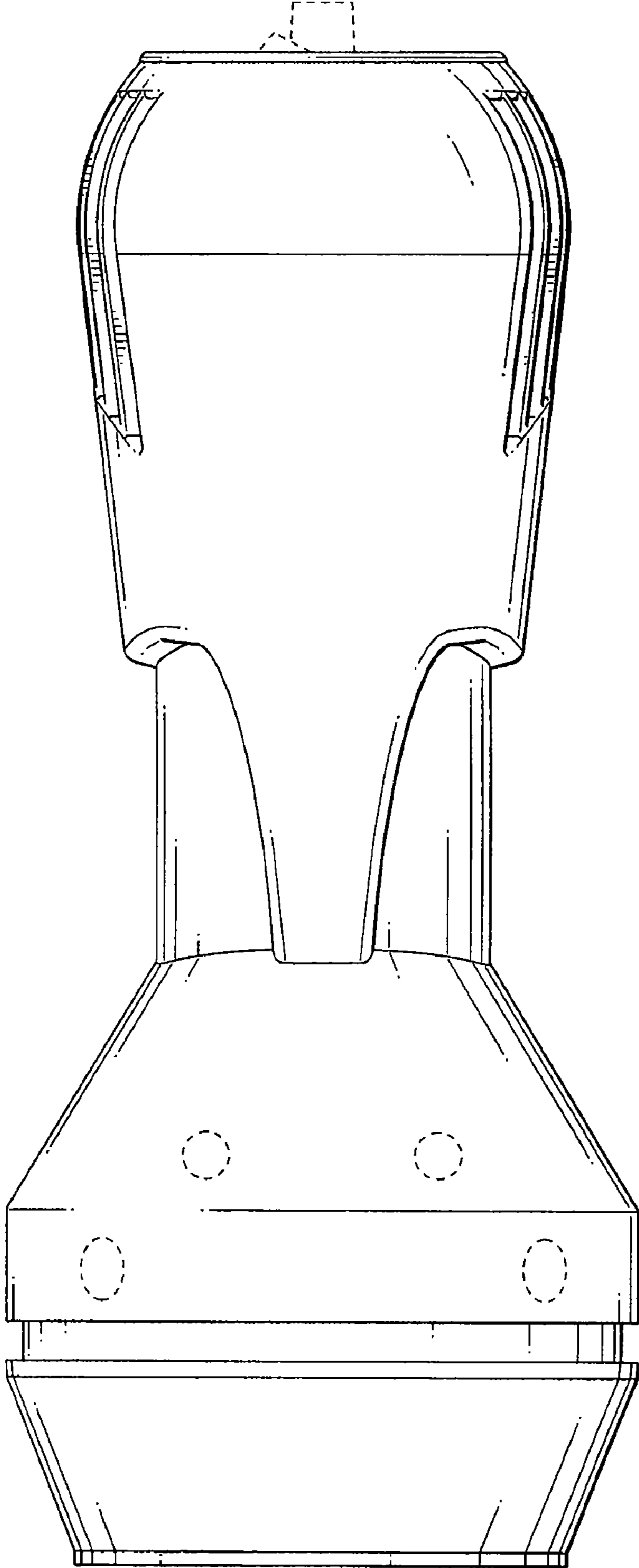


FIG. 5

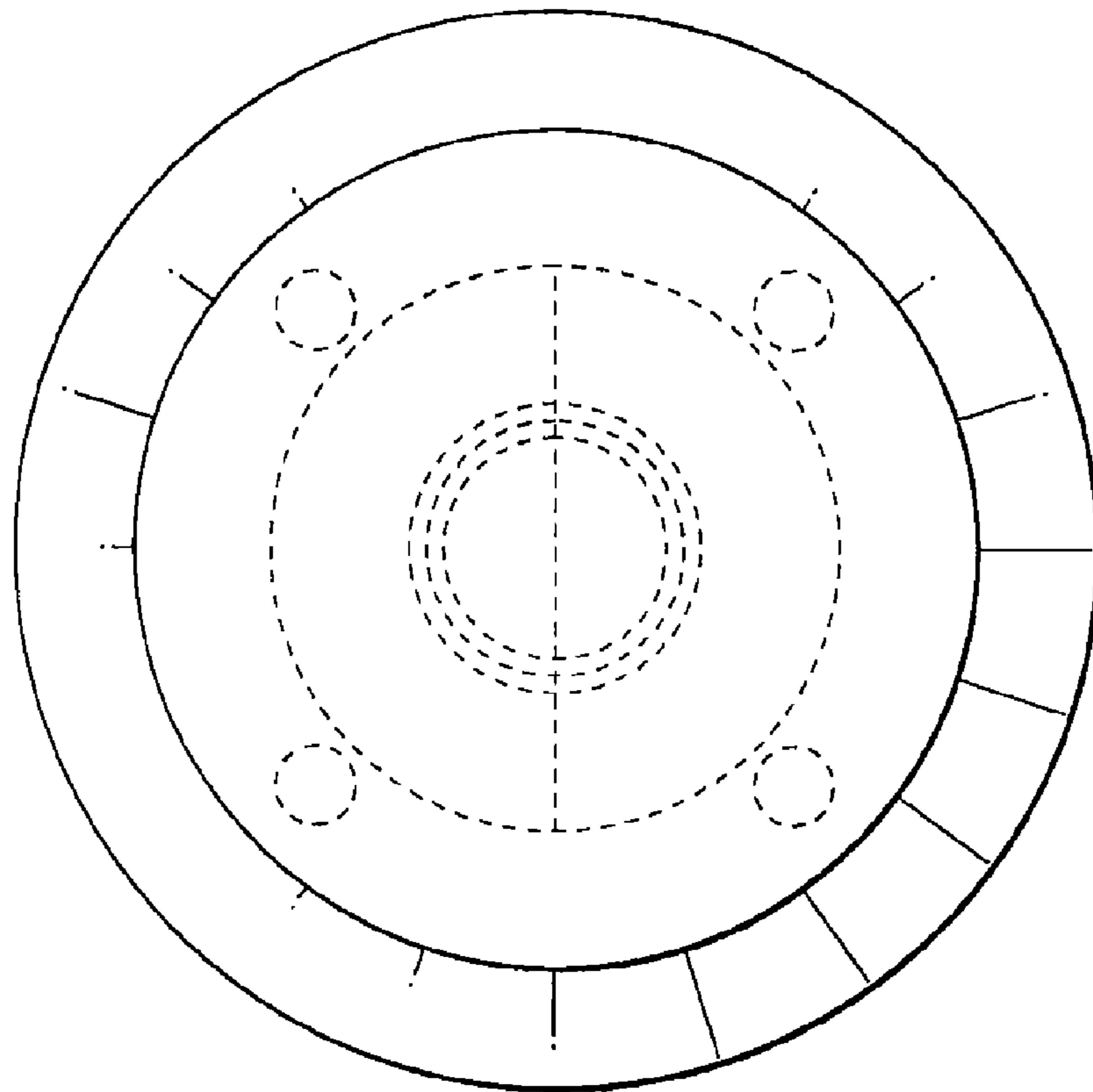


FIG. 6