



US00D611967S

(12) **United States Design Patent**
Hjort et al.

(10) **Patent No.:** **US D611,967 S**
(45) **Date of Patent:** **** Mar. 16, 2010**

(54) **END PLUG**

(75) Inventors: **Erik Hjort**, Sater (SE); **Per Moller**,
Leksand (SE)

(73) Assignee: **SCA Hygiene Products AB**, Gothenburg
(SE)

(**) Term: **14 Years**

(21) Appl. No.: **29/298,489**

(22) Filed: **Dec. 6, 2007**

(30) **Foreign Application Priority Data**

Jun. 8, 2007 (EM) 742267-0001

(51) **LOC (9) Cl.** **15-09**

(52) **U.S. Cl.** **D15/138**

(58) **Field of Classification Search** D6/523;
D9/439; D15/138; 206/413; 225/46; 242/160.1;
D7/392.1

See application file for complete search history.

(56) **References Cited**

U.S. PATENT DOCUMENTS

- D228,345 S * 9/1973 Kleinman D9/439
- 3,865,326 A * 2/1975 Beaudoin 242/613.5
- D351,458 S * 10/1994 Linner D23/260
- 6,481,904 B2 * 11/2002 Fukugawa et al. 396/513
- D532,229 S * 11/2006 Hoernig et al. D6/523
- 2003/0231900 A1 * 12/2003 Toriyama et al. 399/159
- 2005/0155884 A1 * 7/2005 Silverbrook et al. 206/397
- 2006/0289321 A1 * 12/2006 Karfias 206/413

2008/0230418 A1* 9/2008 Lind et al. 206/413

* cited by examiner

Primary Examiner—Sandra Snapp

Assistant Examiner—Patricia Palasik

(74) *Attorney, Agent, or Firm*—Young & Thompson

(57) **CLAIM**

The ornamental design for an end plug, as shown and described.

DESCRIPTION

FIG. 1 is a top and side perspective view of an end plug showing our new design;

FIG. 2 is another top and side perspective view thereof;

FIG. 3 is a top plan view thereof;

FIG. 4 is a side elevational view thereof;

FIG. 5 is another side elevational view thereof;

FIG. 6 is still another side elevational view thereof;

FIG. 7 is a perspective view thereof from the side opposite that shown in FIGS. 1 and 2;

FIG. 8 is a bottom plan view thereof; and

FIG. 9 is a side elevational view of the end plug shown in FIG. 4 in an alternate condition of use;

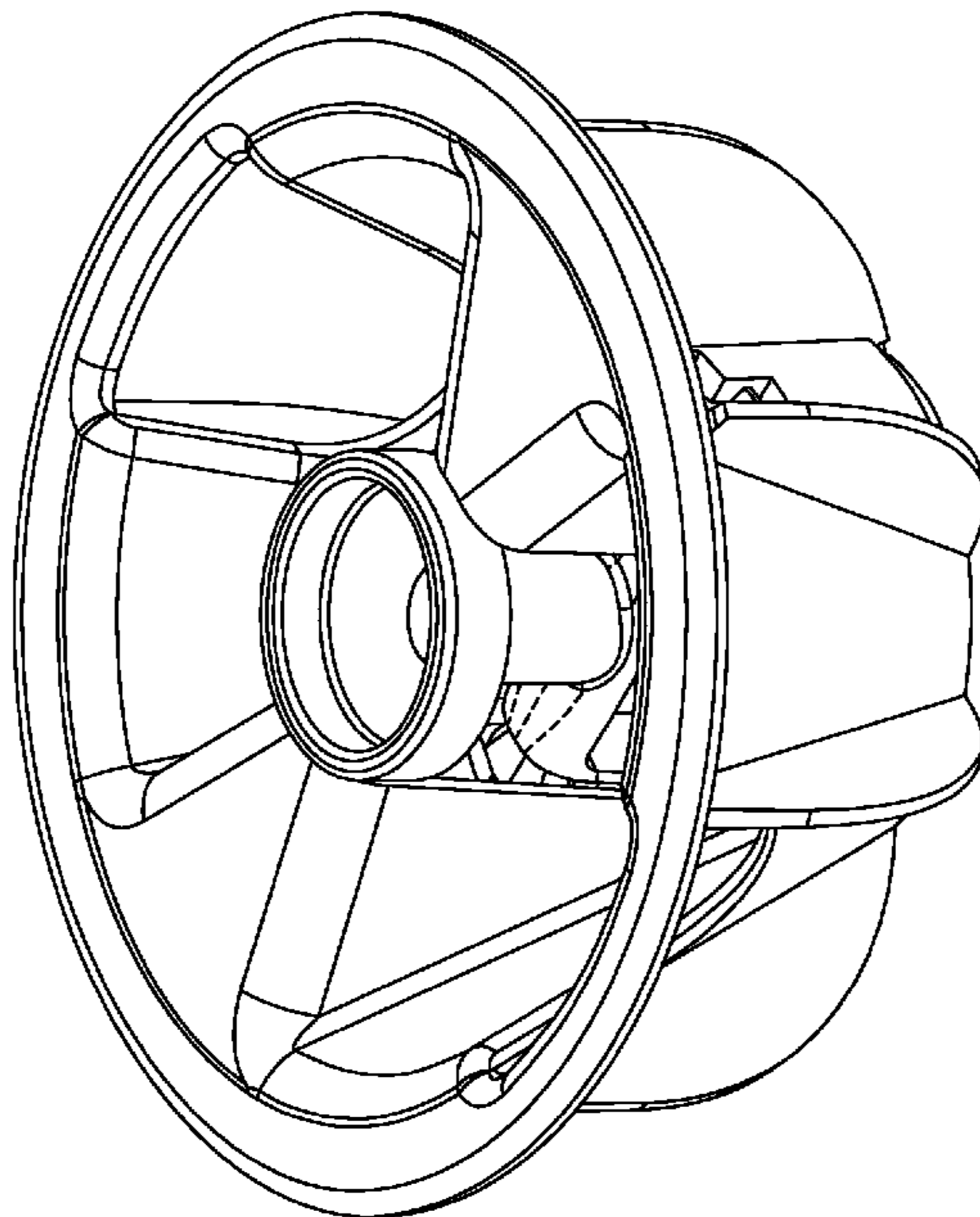
FIG. 10 is another side elevational thereof;

FIG. 11 is another side elevational thereof; and,

FIG. 12 is perspective view of FIG. 7 in an alternate condition of use.

The broken lines in the drawings depict unclaimed environmental subject matter.

1 Claim, 12 Drawing Sheets



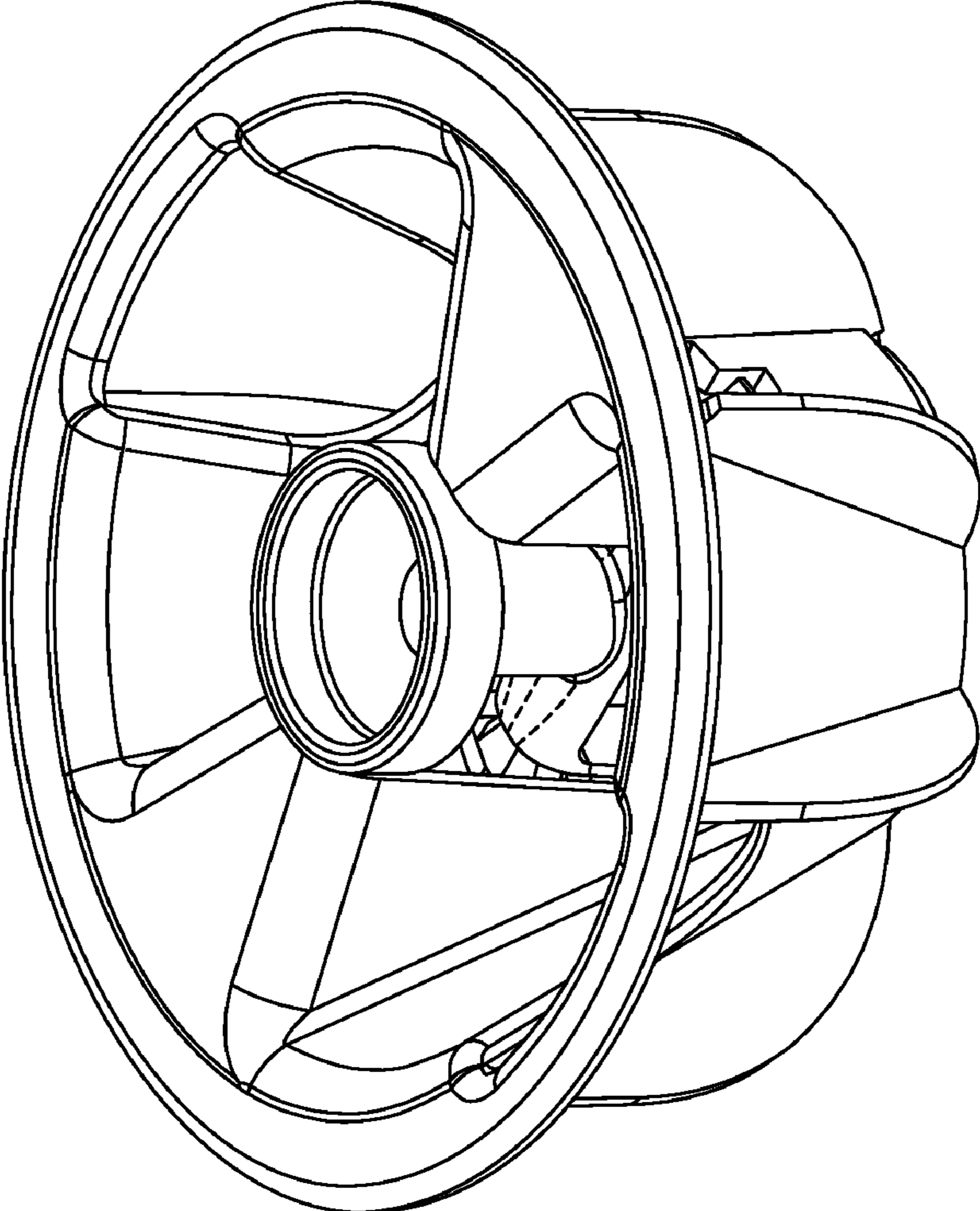


Fig. 1

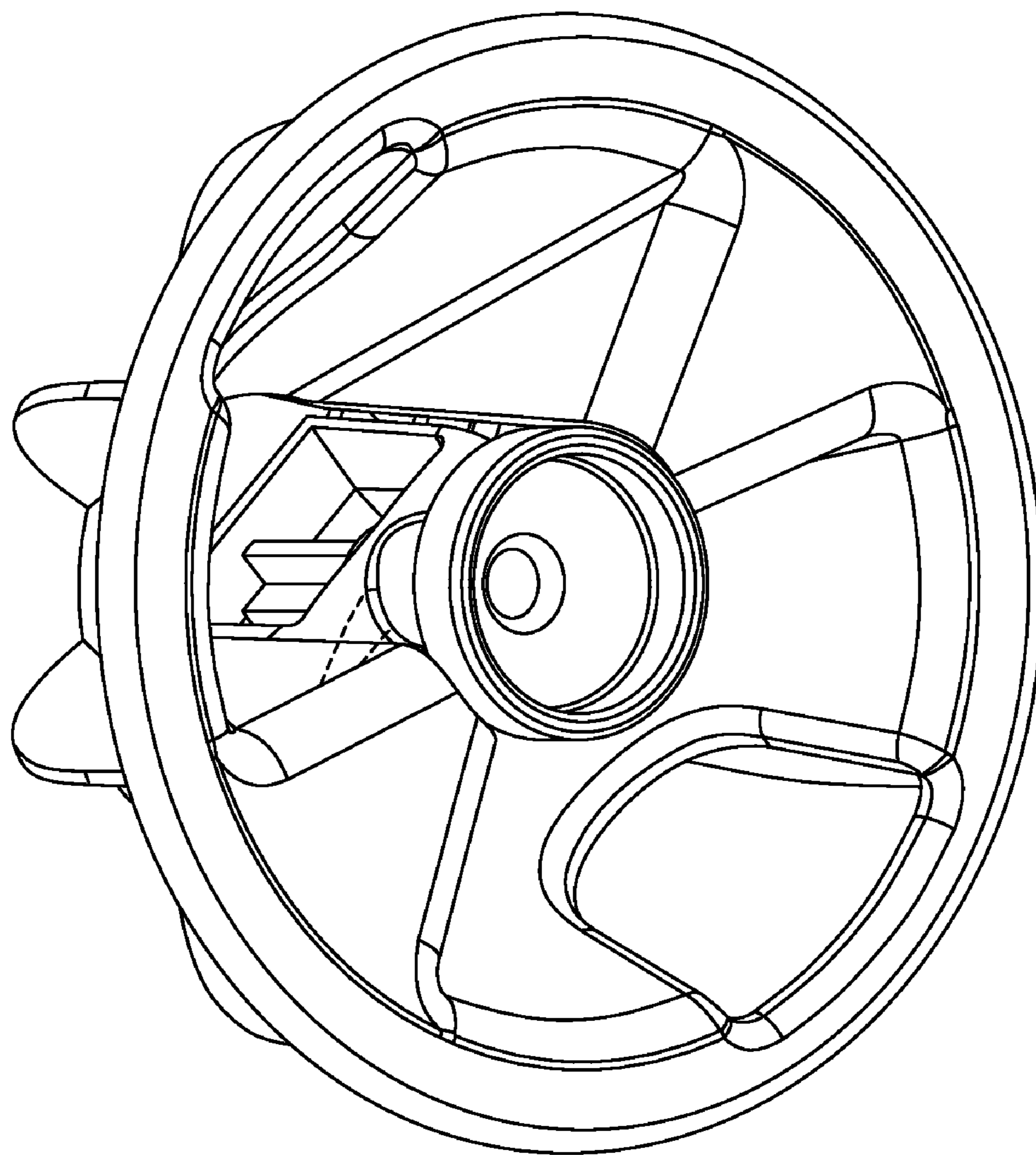


Fig. 2

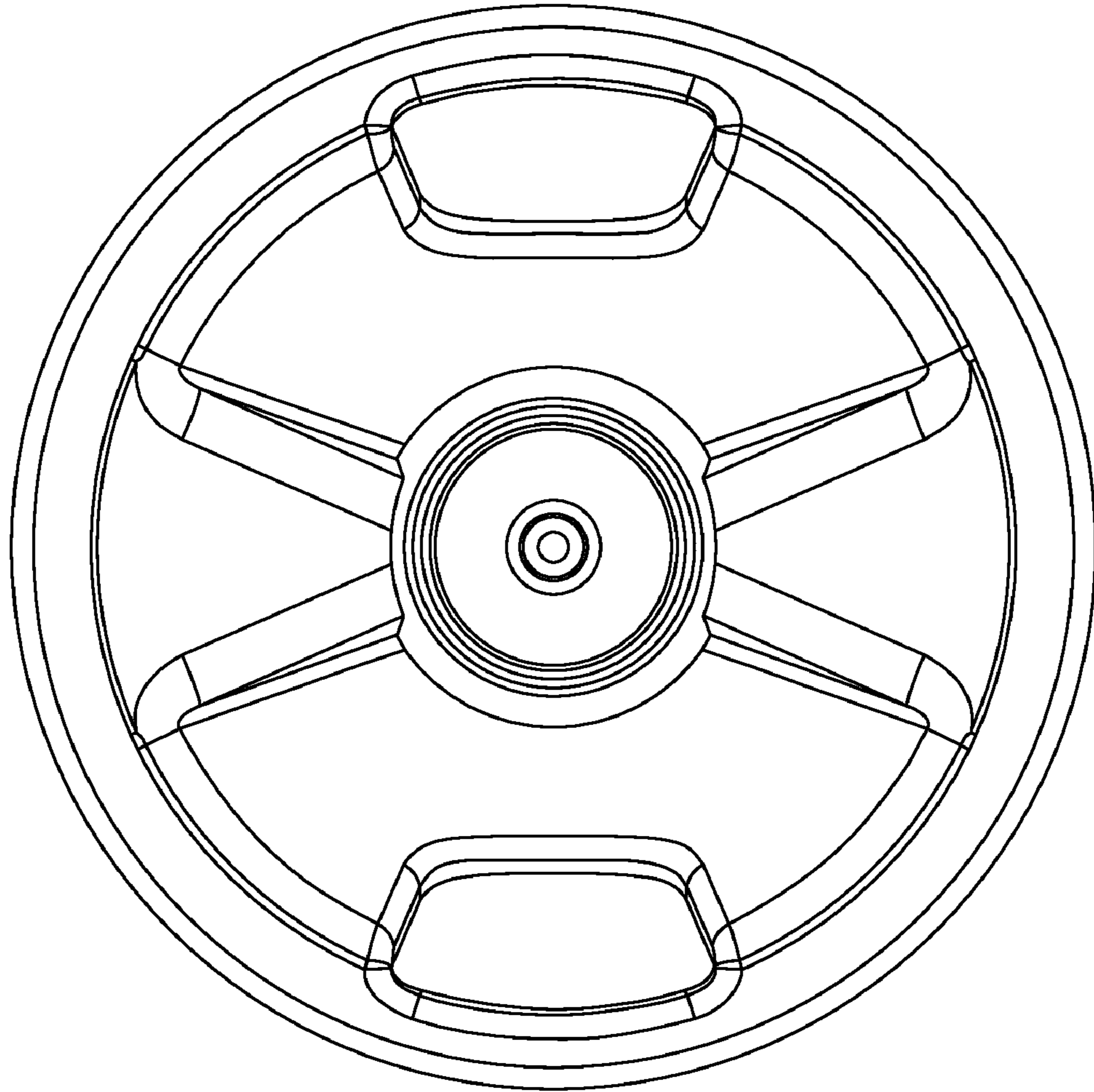


Fig. 3

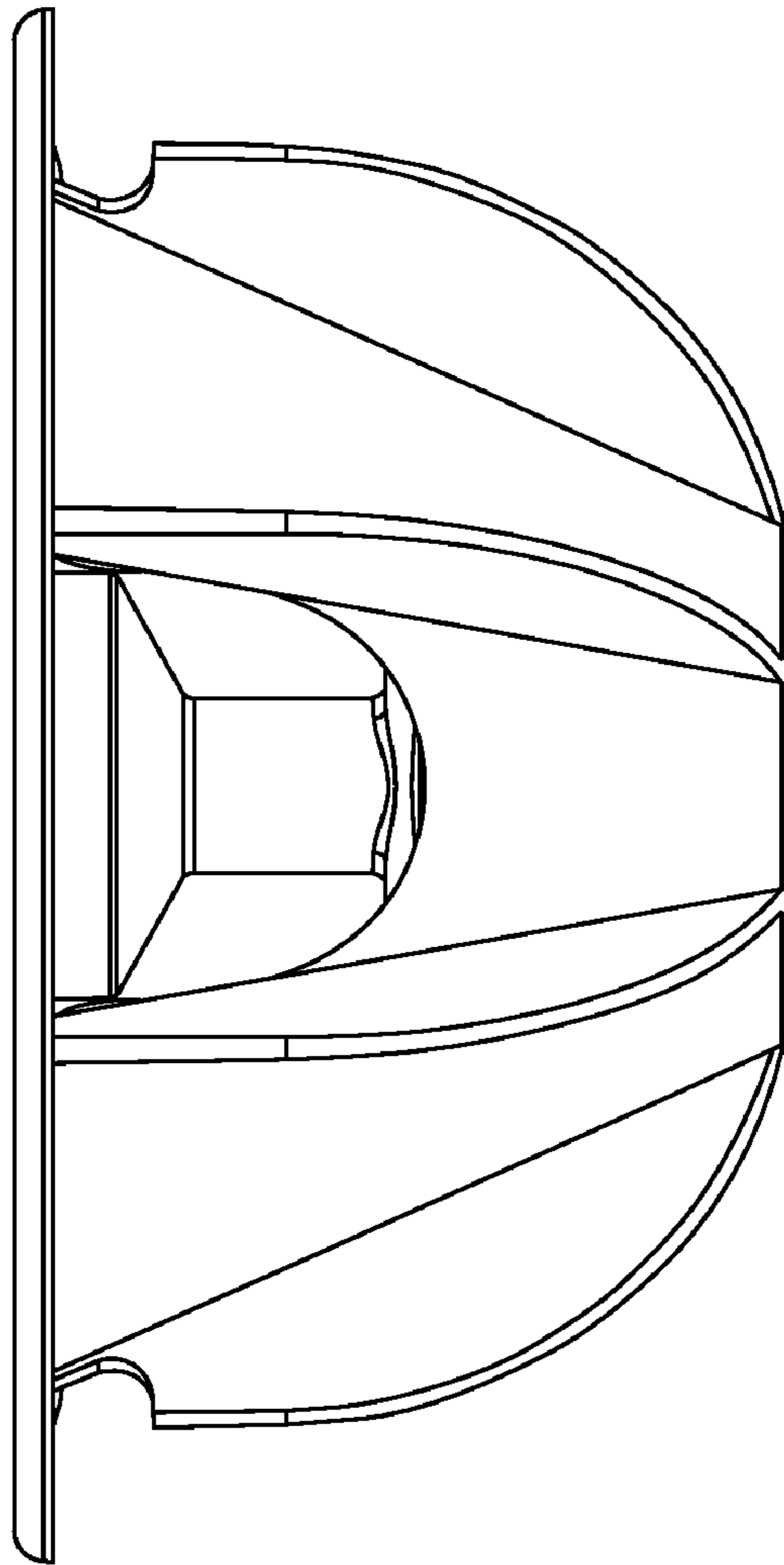


Fig. 4

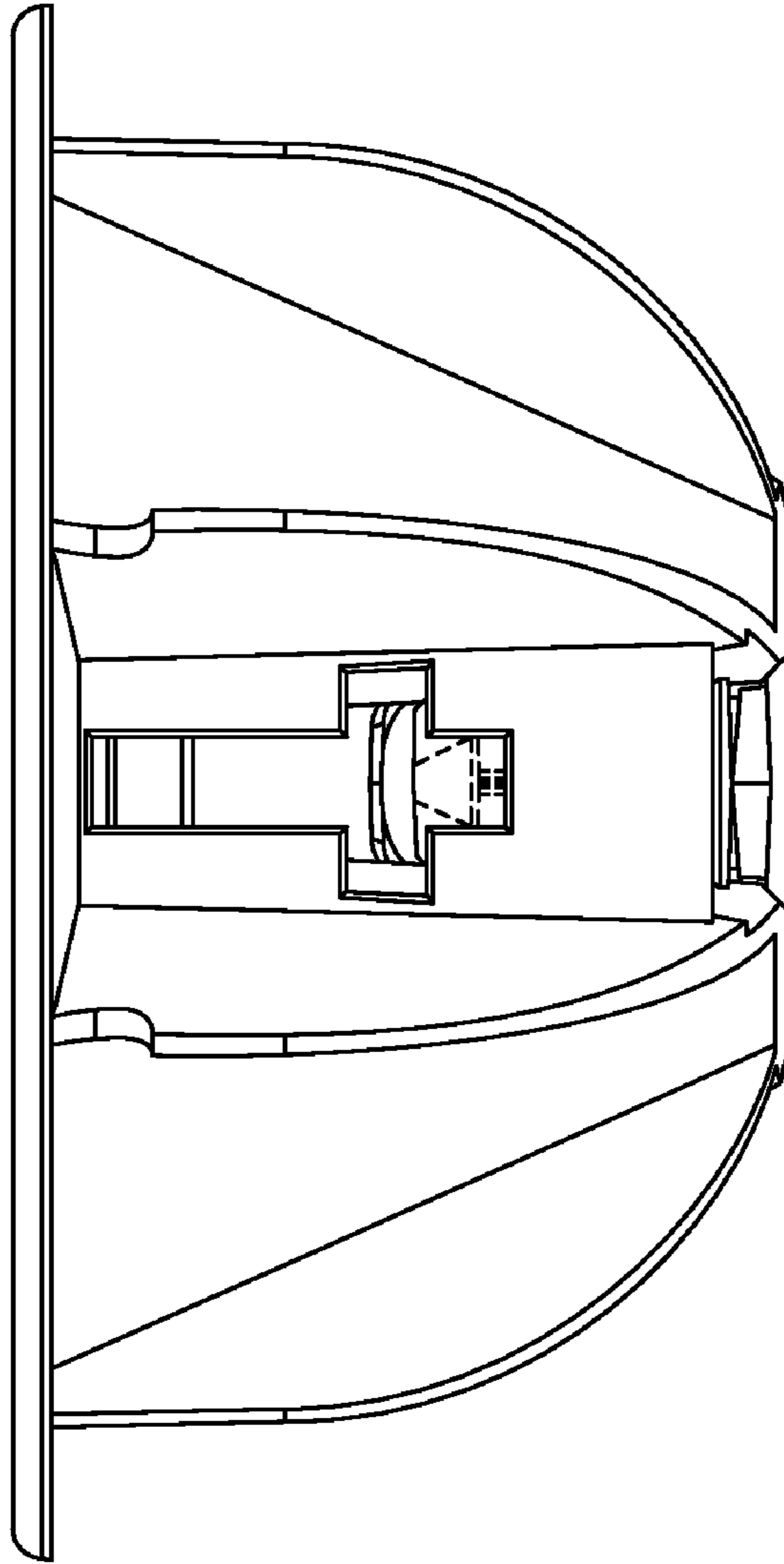


Fig. 5

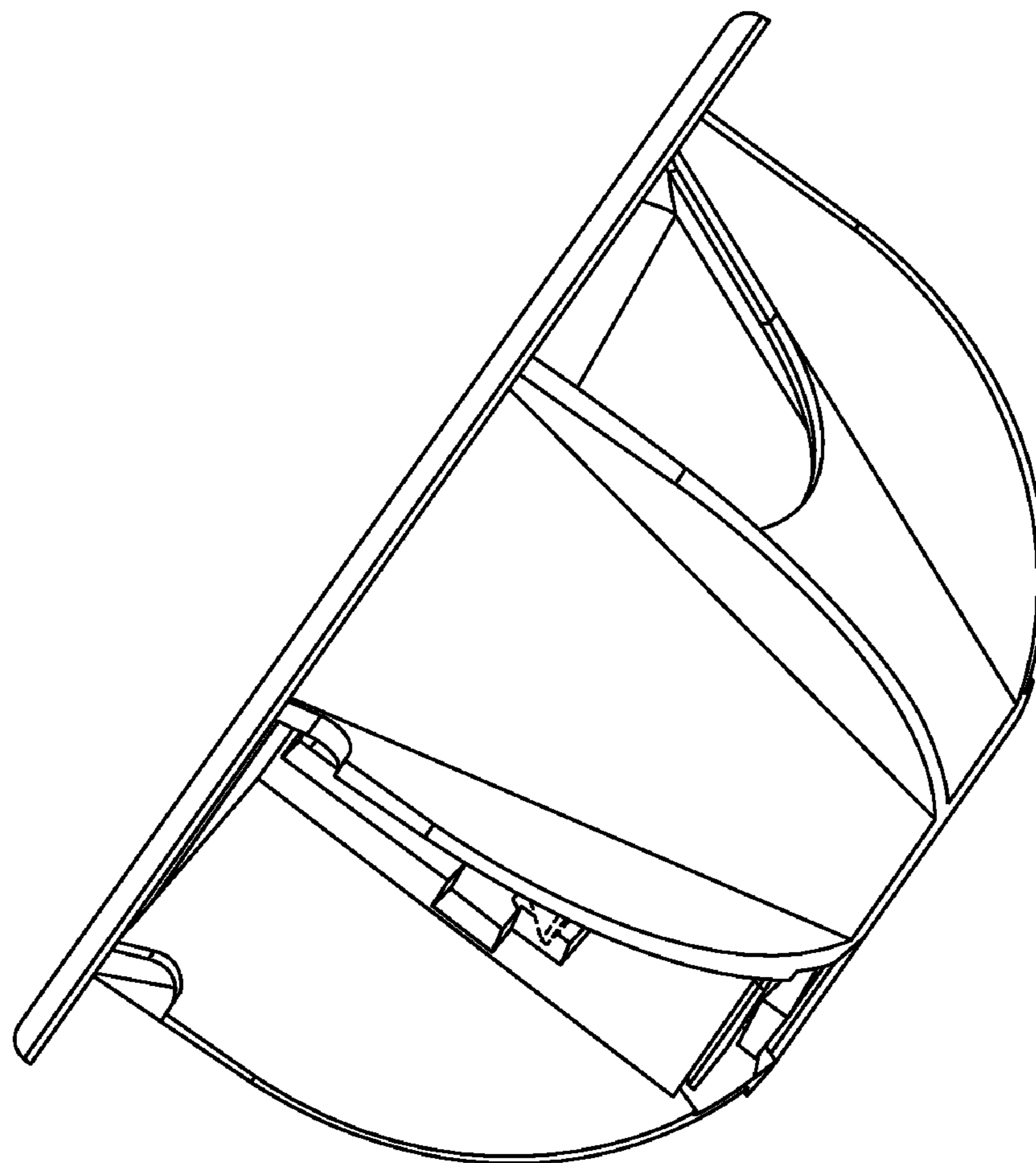


Fig. 6

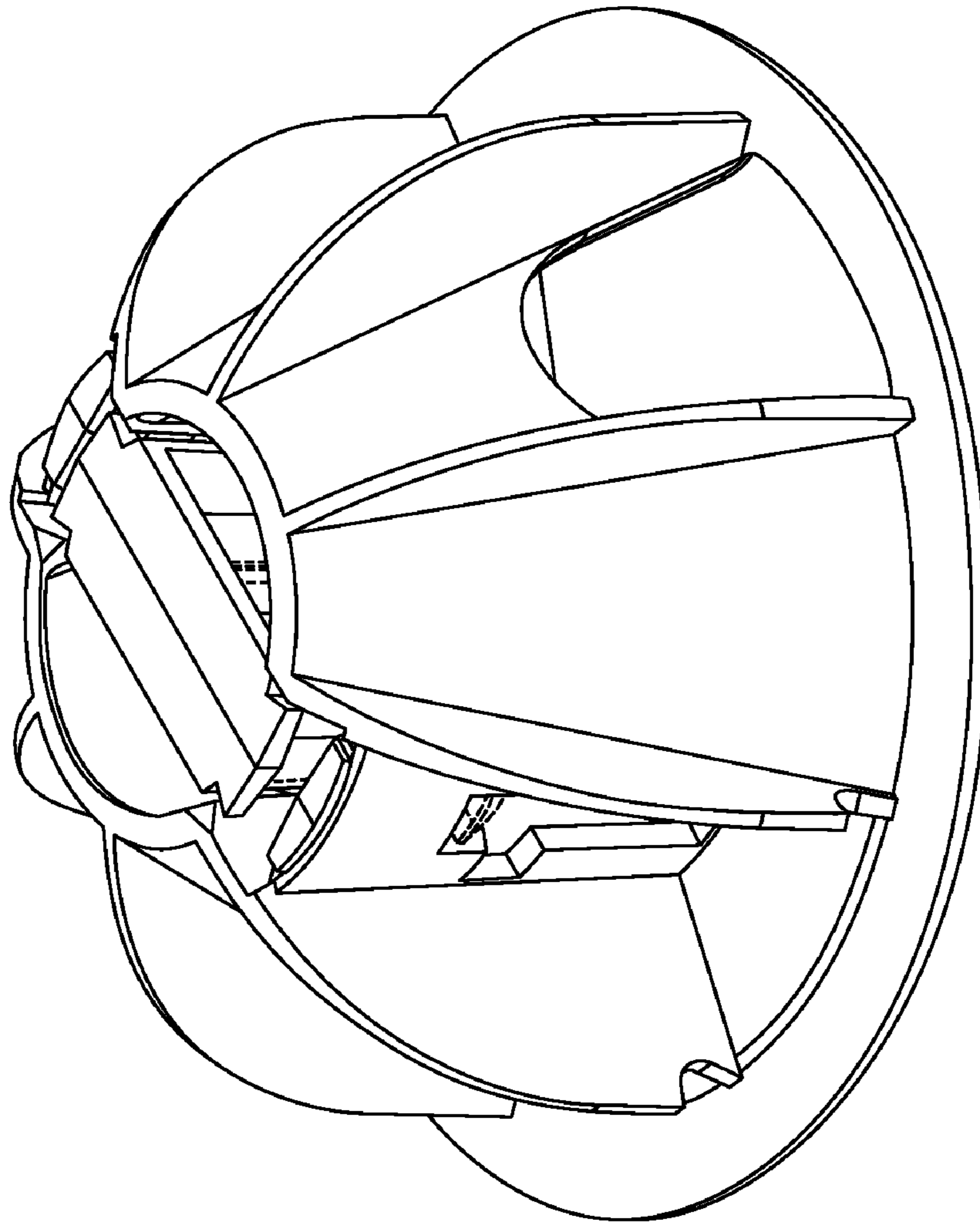


Fig. 7

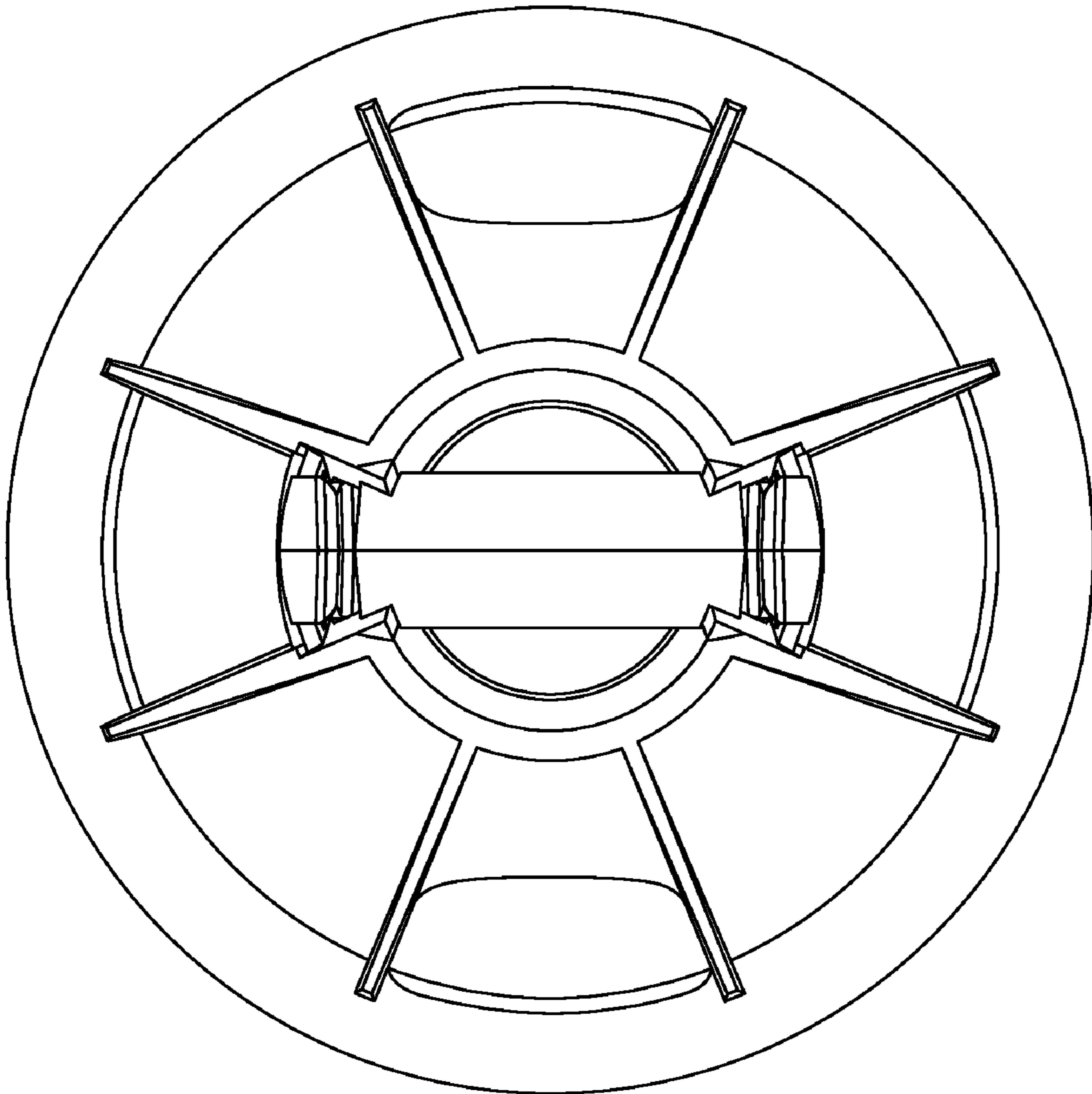


Fig. 8

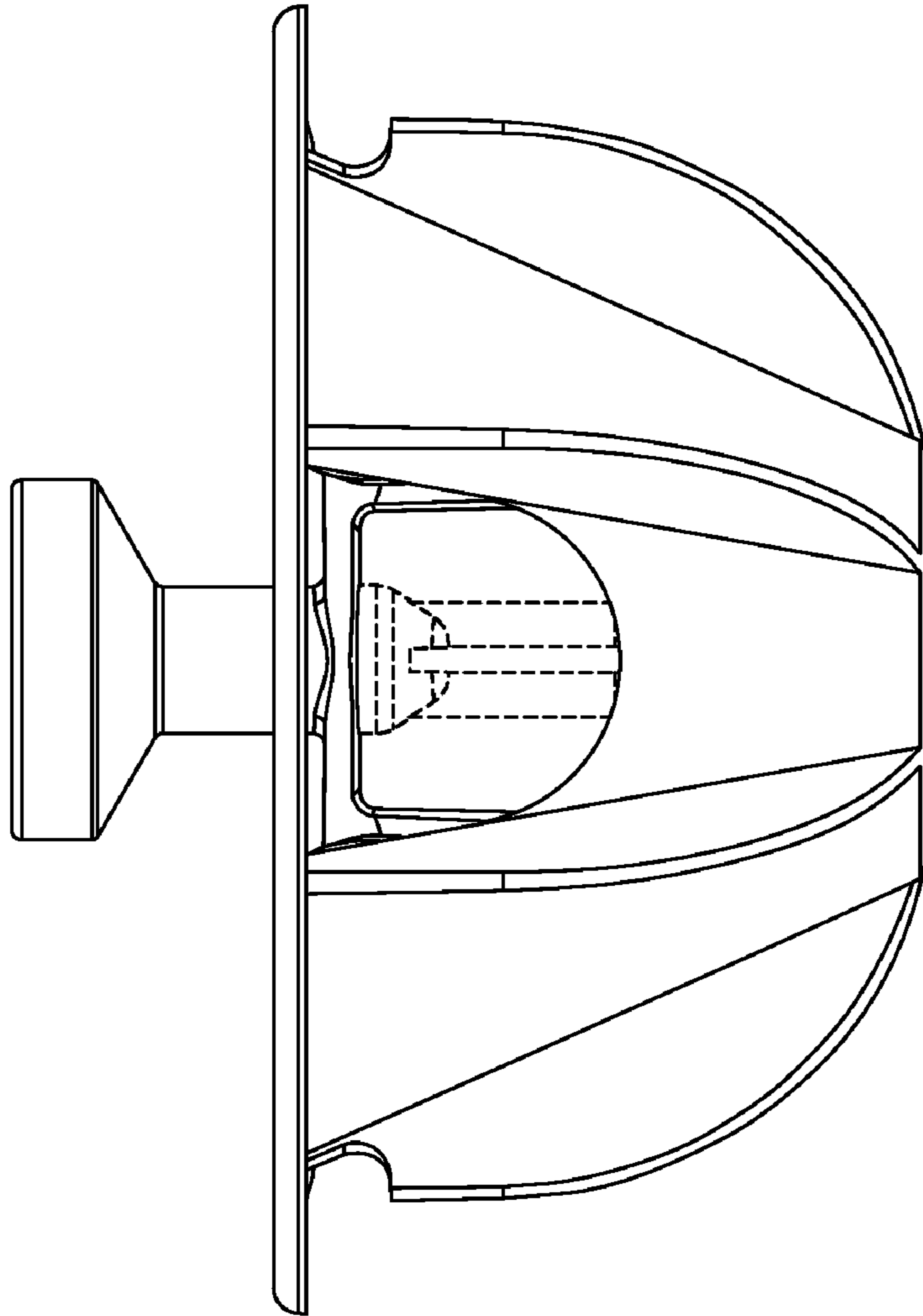


Fig. 9

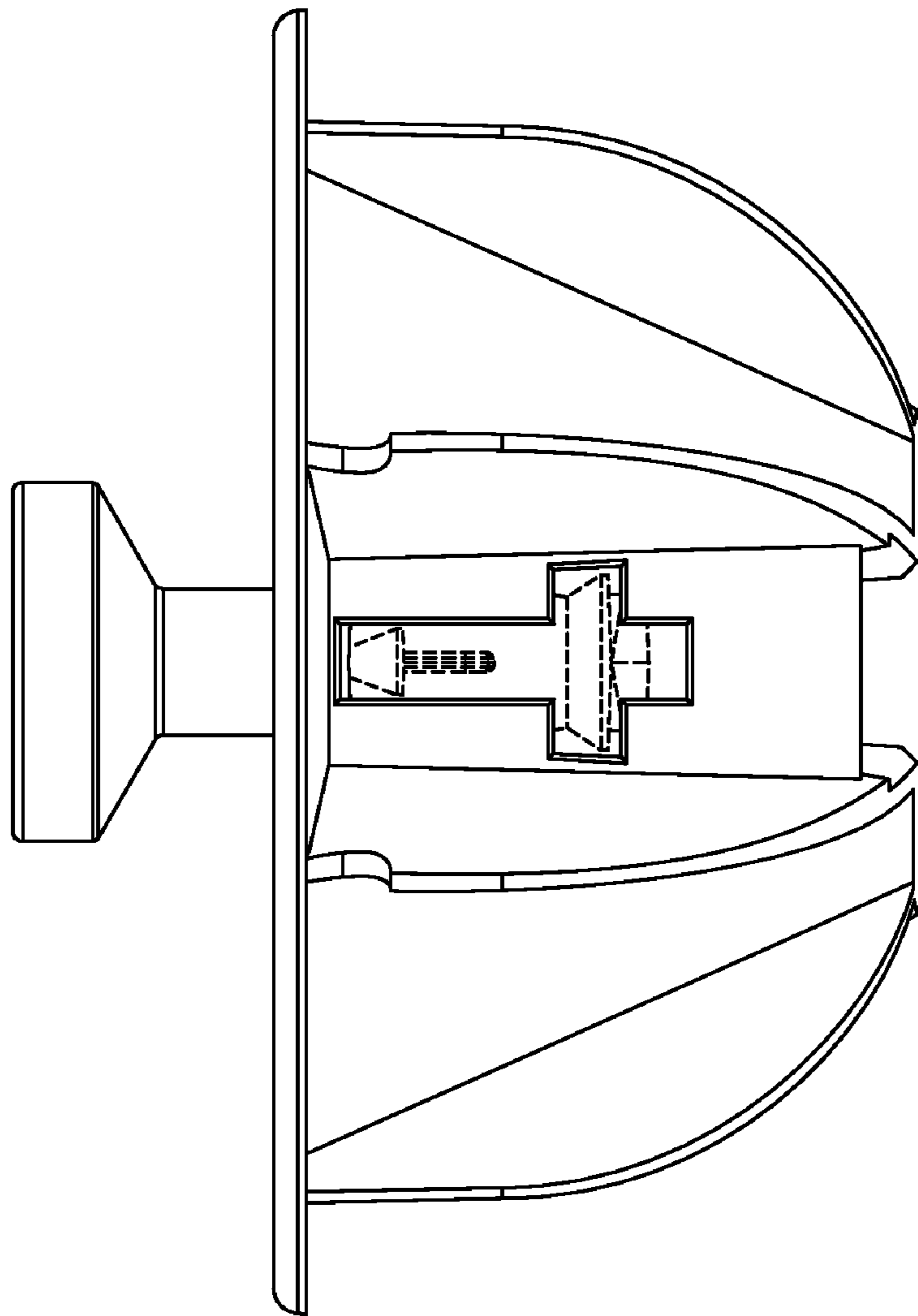


Fig. 10

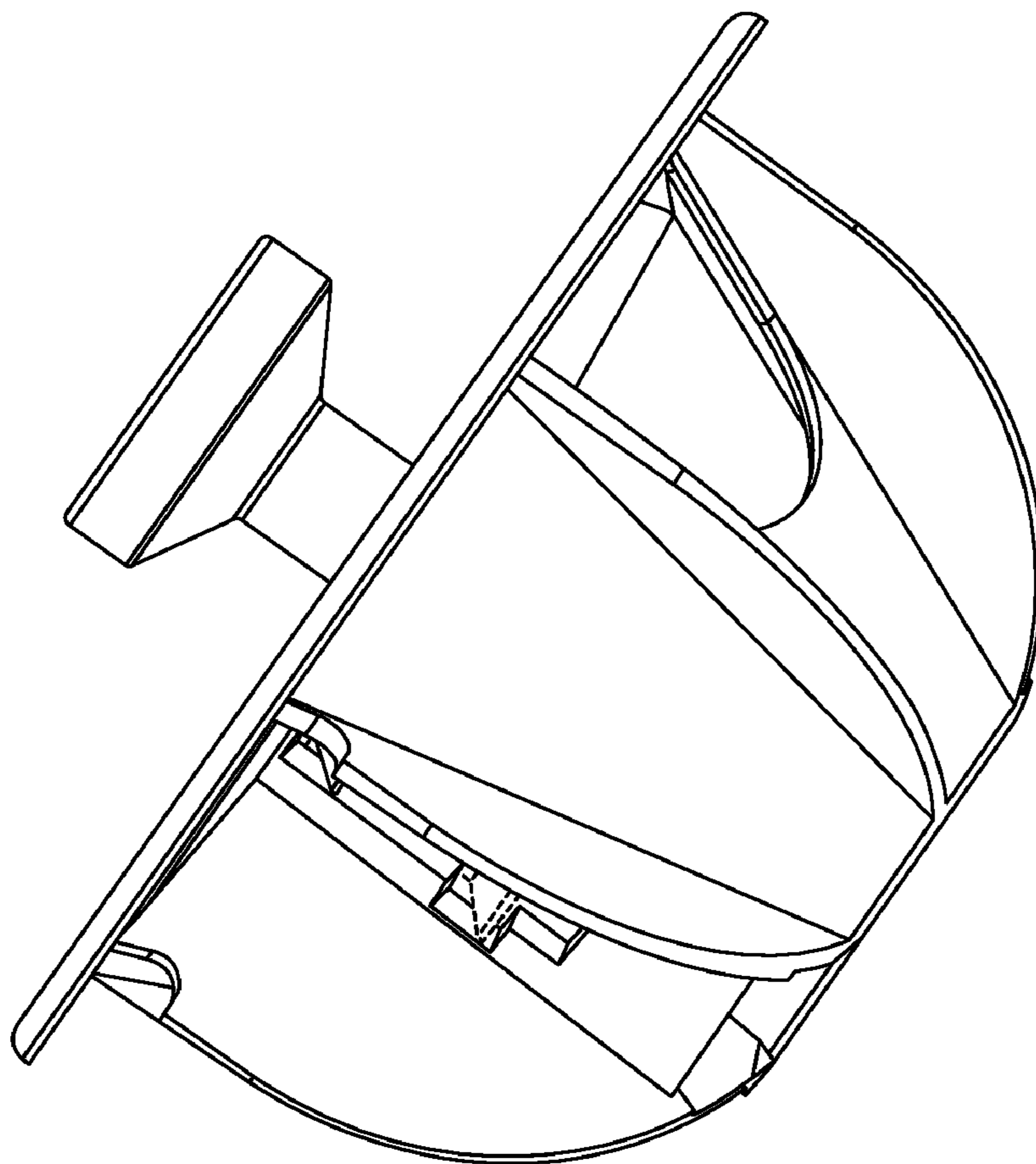


Fig. 11

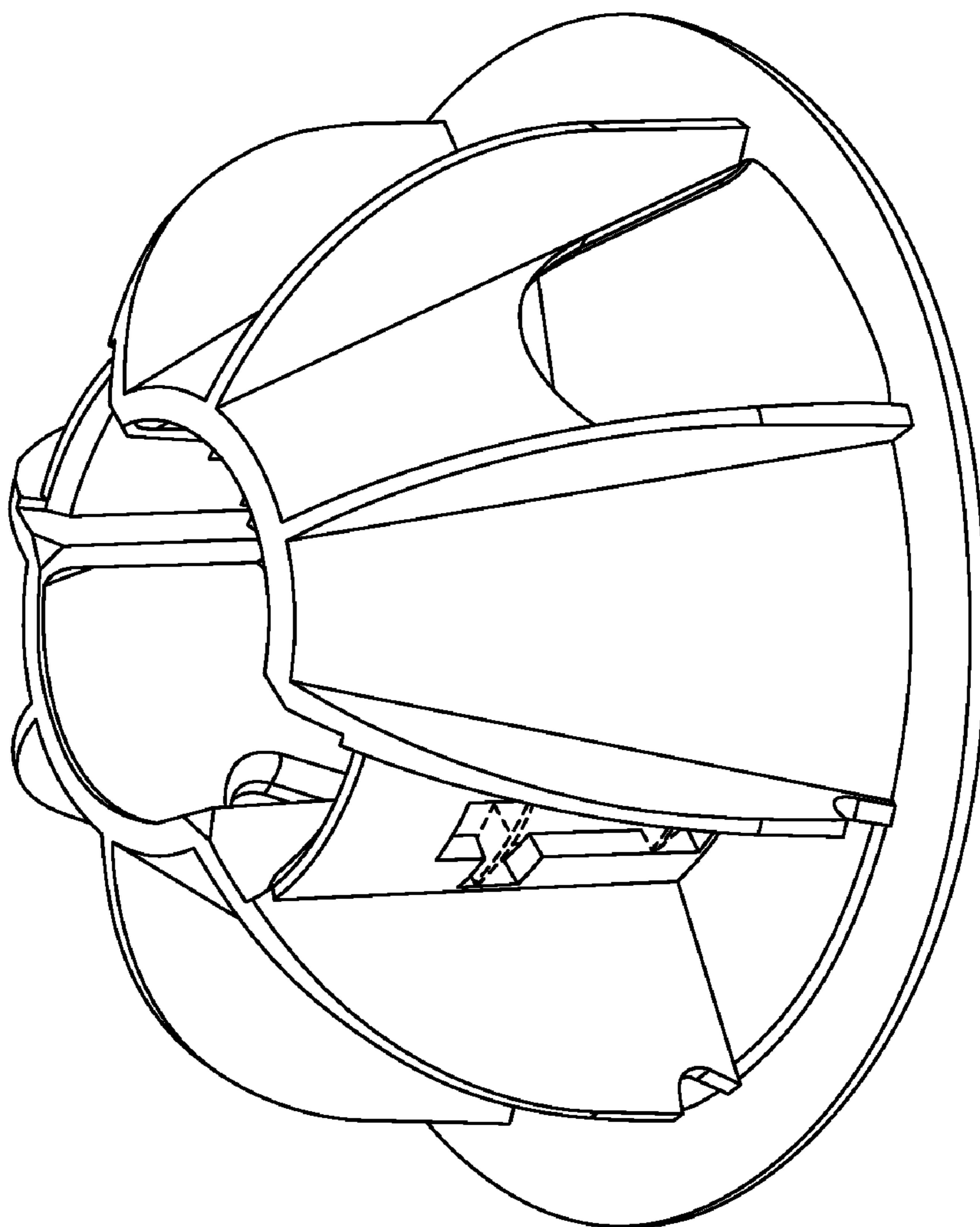


Fig. 12