



US00D611964S

(12) **United States Design Patent**
Lonati

(10) **Patent No.:** **US D611,964 S**
(45) **Date of Patent:** **** Mar. 16, 2010**

(54) **KNITTING MACHINE**

(75) Inventor: **Tiberio Lonati**, Brescia (IT)

(73) Assignee: **Santoni S.p.A.**, Brescia (IT)

(**) Term: **14 Years**

(21) Appl. No.: **29/328,088**

(22) Filed: **Nov. 18, 2008**

(30) **Foreign Application Priority Data**

May 28, 2008 (EM) 000941828-0001

(51) **LOC (9) Cl.** **15-06**

(52) **U.S. Cl.** **D15/66**

(58) **Field of Classification Search** D15/66,
D15/69; 112/122, 235, 256, 259, 287
See application file for complete search history.

(56) **References Cited**

U.S. PATENT DOCUMENTS

2,762,324 A * 9/1956 Hess 112/256
D286,535 S * 11/1986 Draghicchio D15/69
D311,745 S * 10/1990 Wieland D15/66
D382,281 S * 8/1997 Takada et al. D15/69
D416,027 S * 11/1999 Ueyama D15/69

D466,136 S * 11/2002 Lin D15/69
D474,785 S * 5/2003 Carter et al. D15/66
D492,702 S * 7/2004 Suwa et al. D15/66
D570,882 S * 6/2008 Lee D15/66

* cited by examiner

Primary Examiner—Stella M Reid

Assistant Examiner—Shanda C Hill

(74) *Attorney, Agent, or Firm*—Pearne & Gordon LLP

(57) **CLAIM**

The ornamental design for a knitting machine, as shown and described.

DESCRIPTION

FIG. 1 is a perspective view of a knitting machine, showing my new design;

FIG. 2 is a front elevational view thereof;

FIG. 3 is a back elevational view thereof;

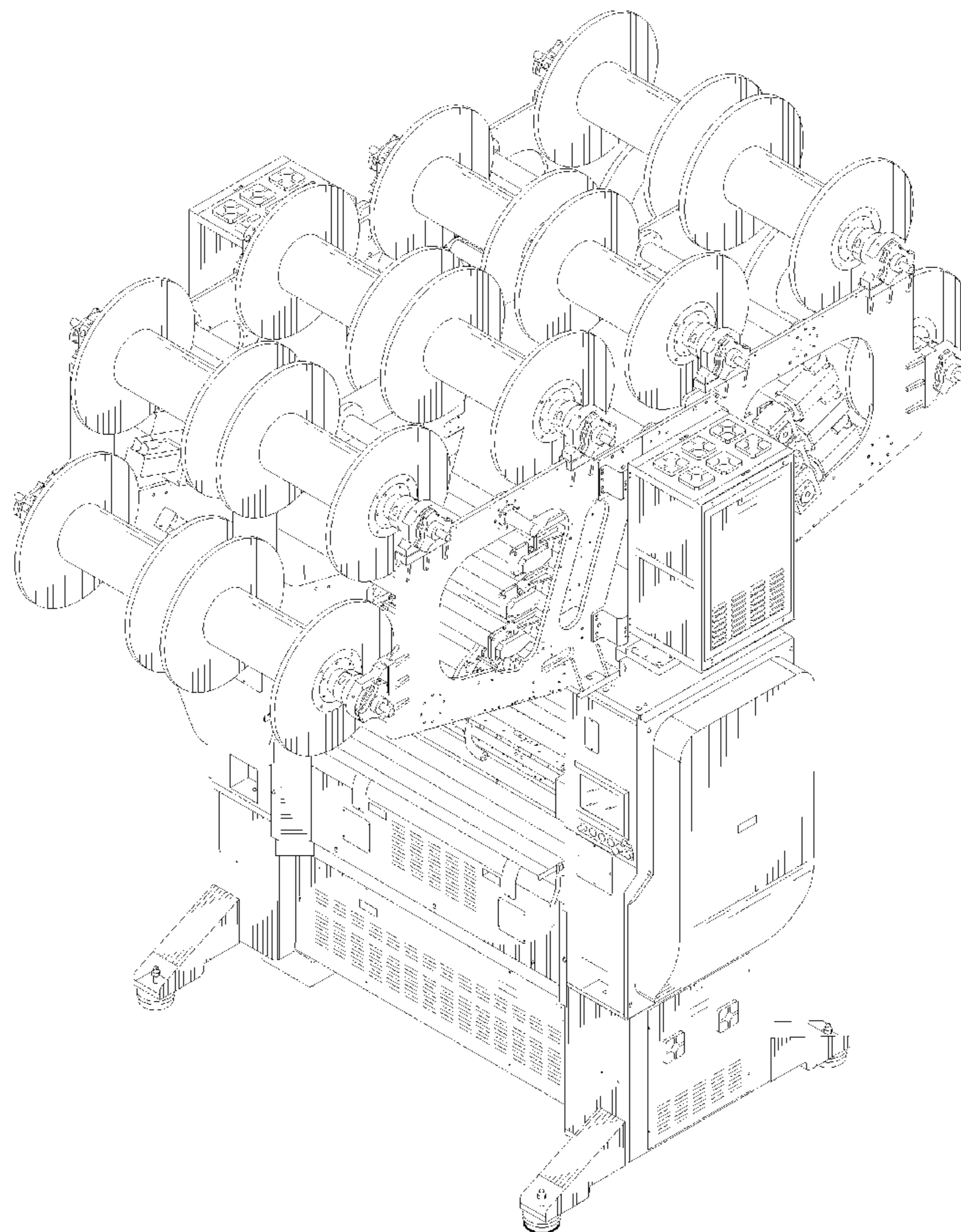
FIG. 4 is a left side elevational view thereof;

FIG. 5 is a right side elevational view thereof;

FIG. 6 is a top plan view thereof; and,

FIG. 7 is a bottom plan view thereof.

1 Claim, 7 Drawing Sheets



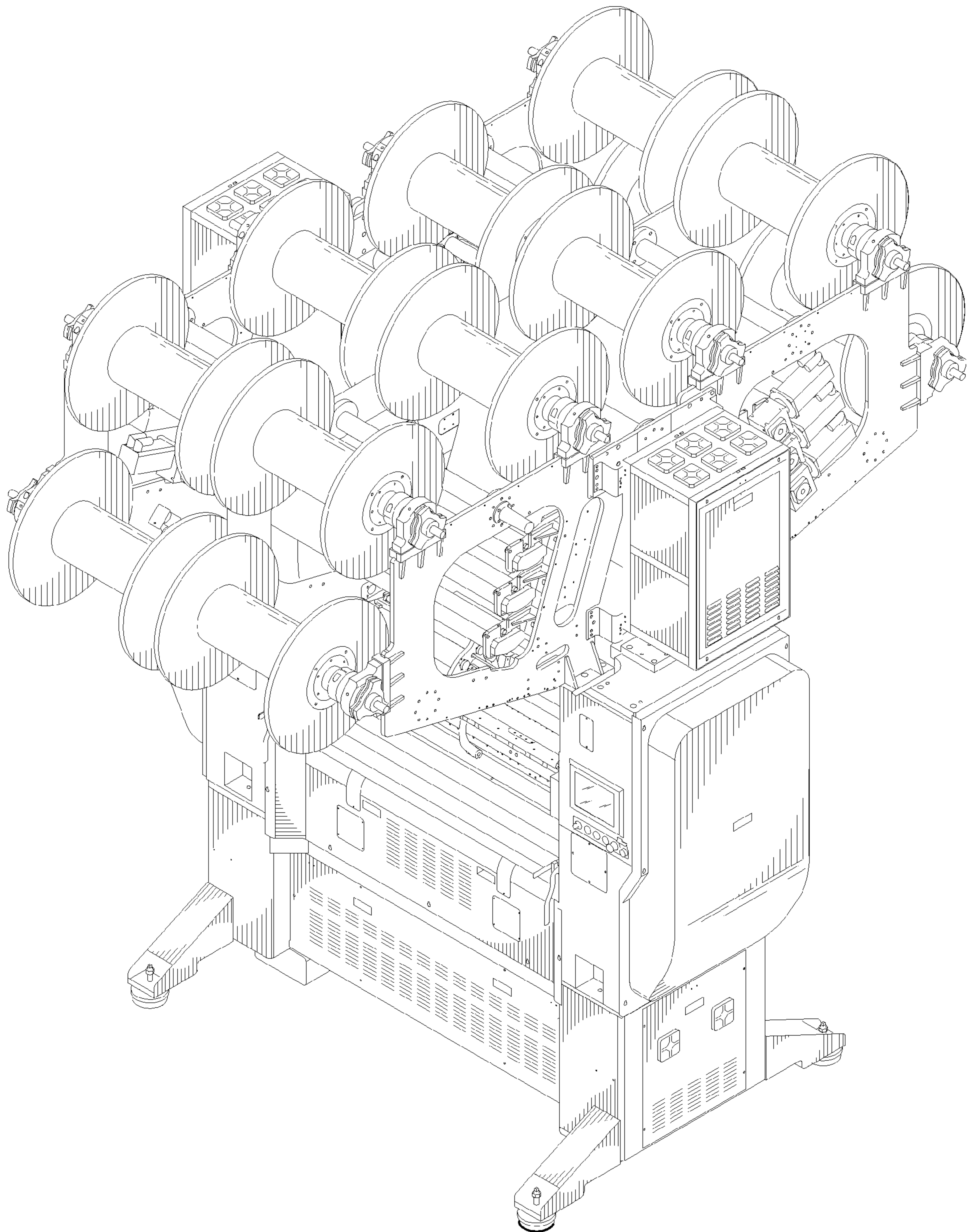


Fig. 1

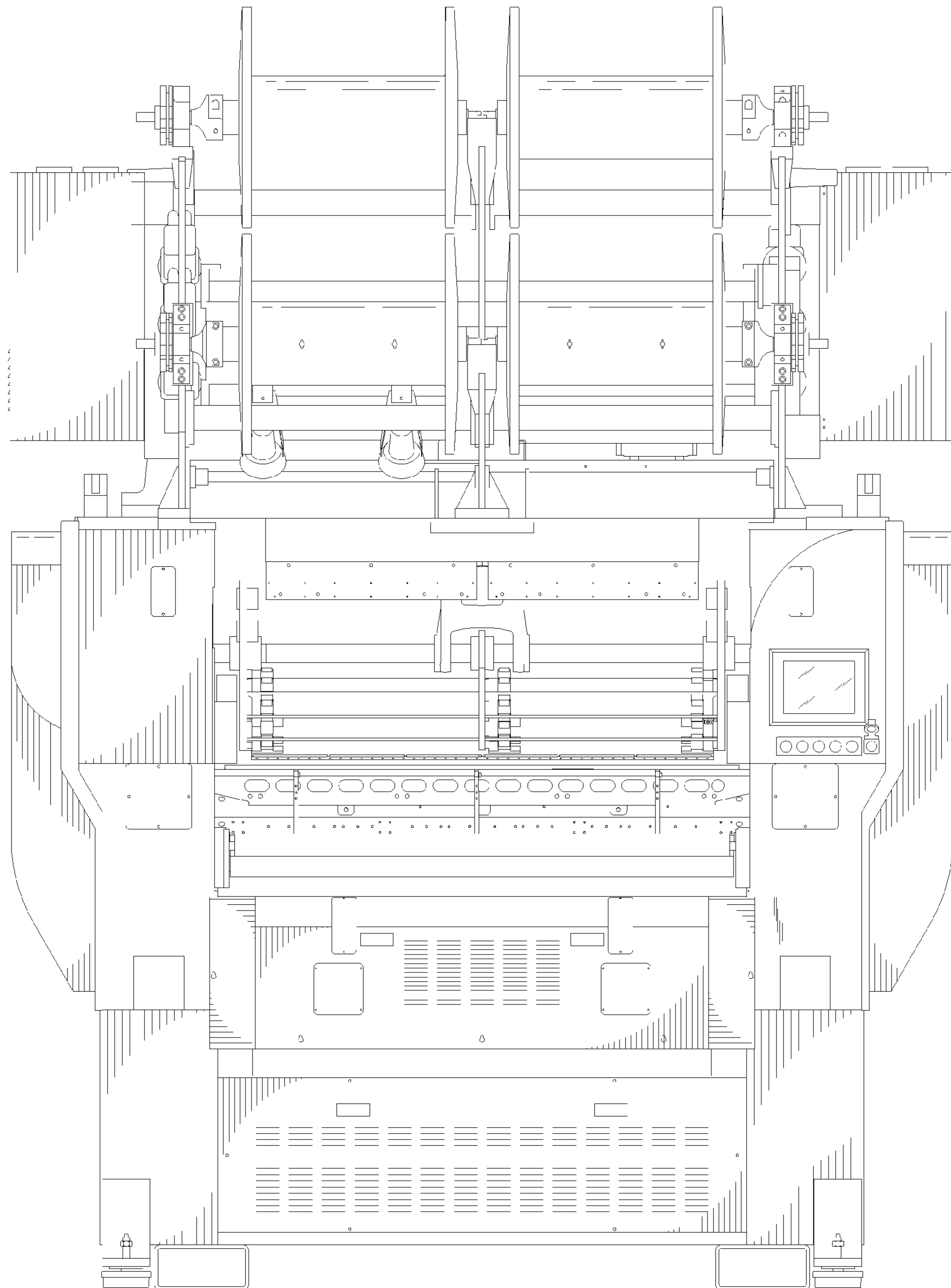


Fig. 2

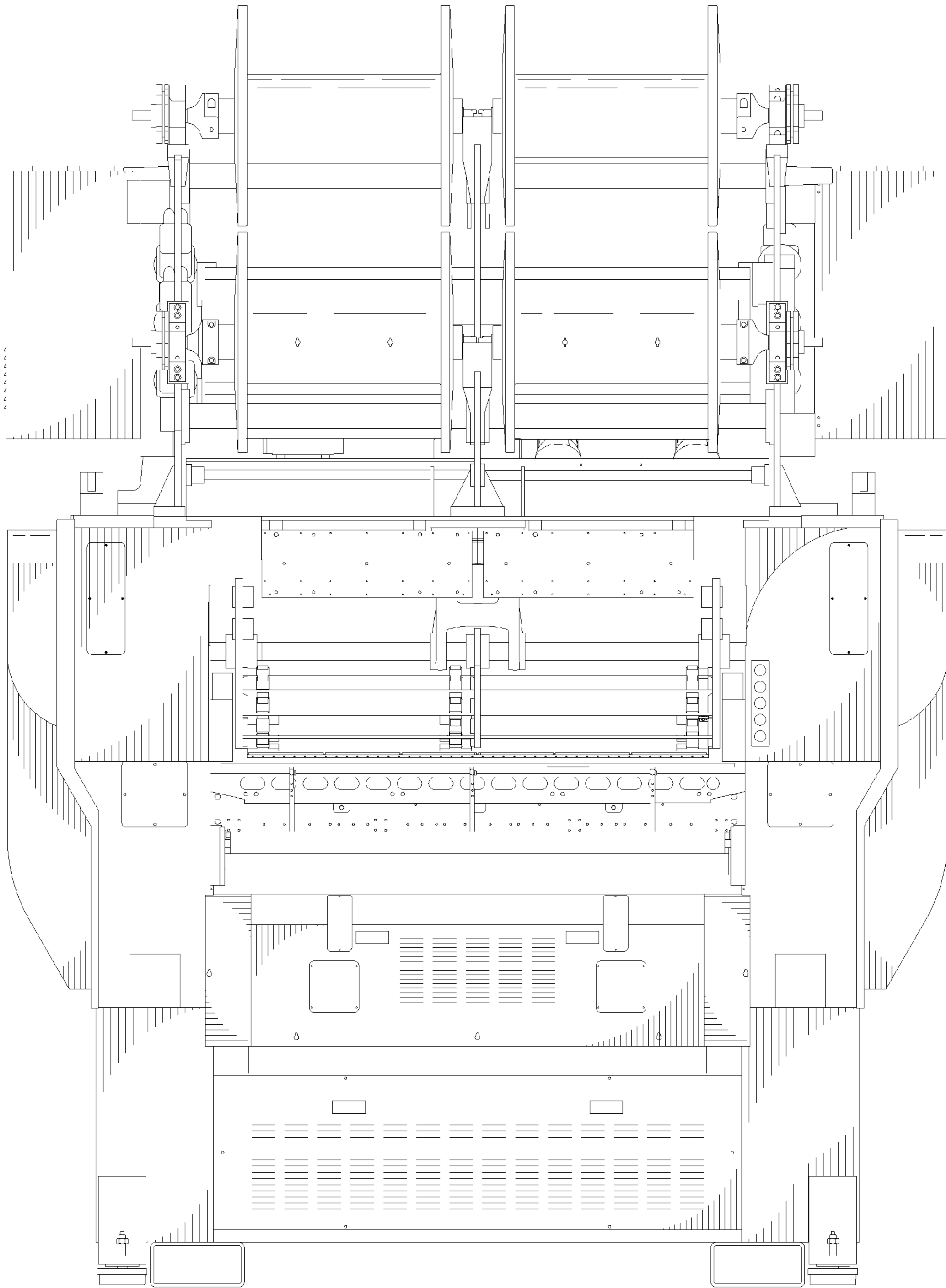


Fig. 3

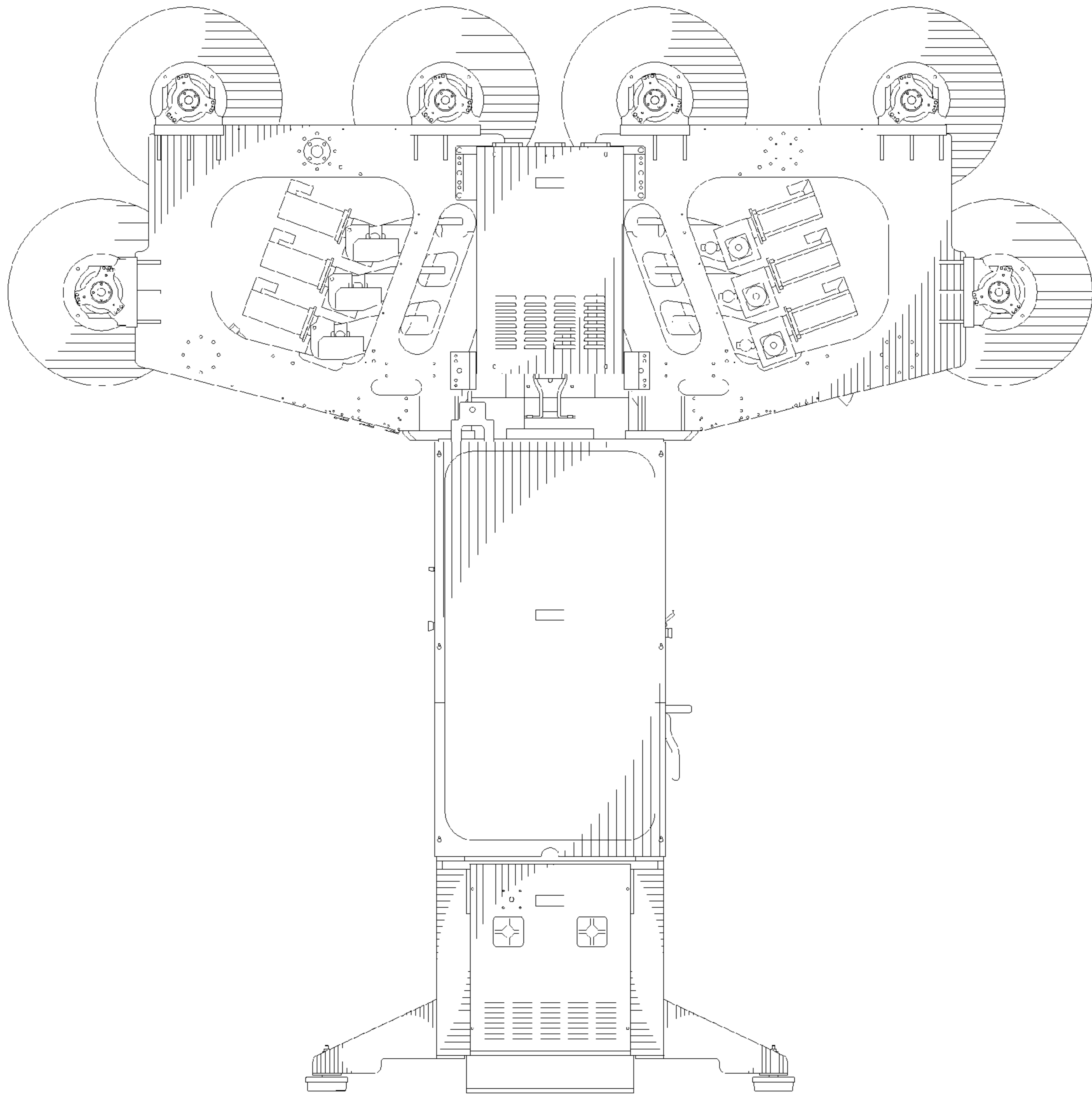


Fig. 4

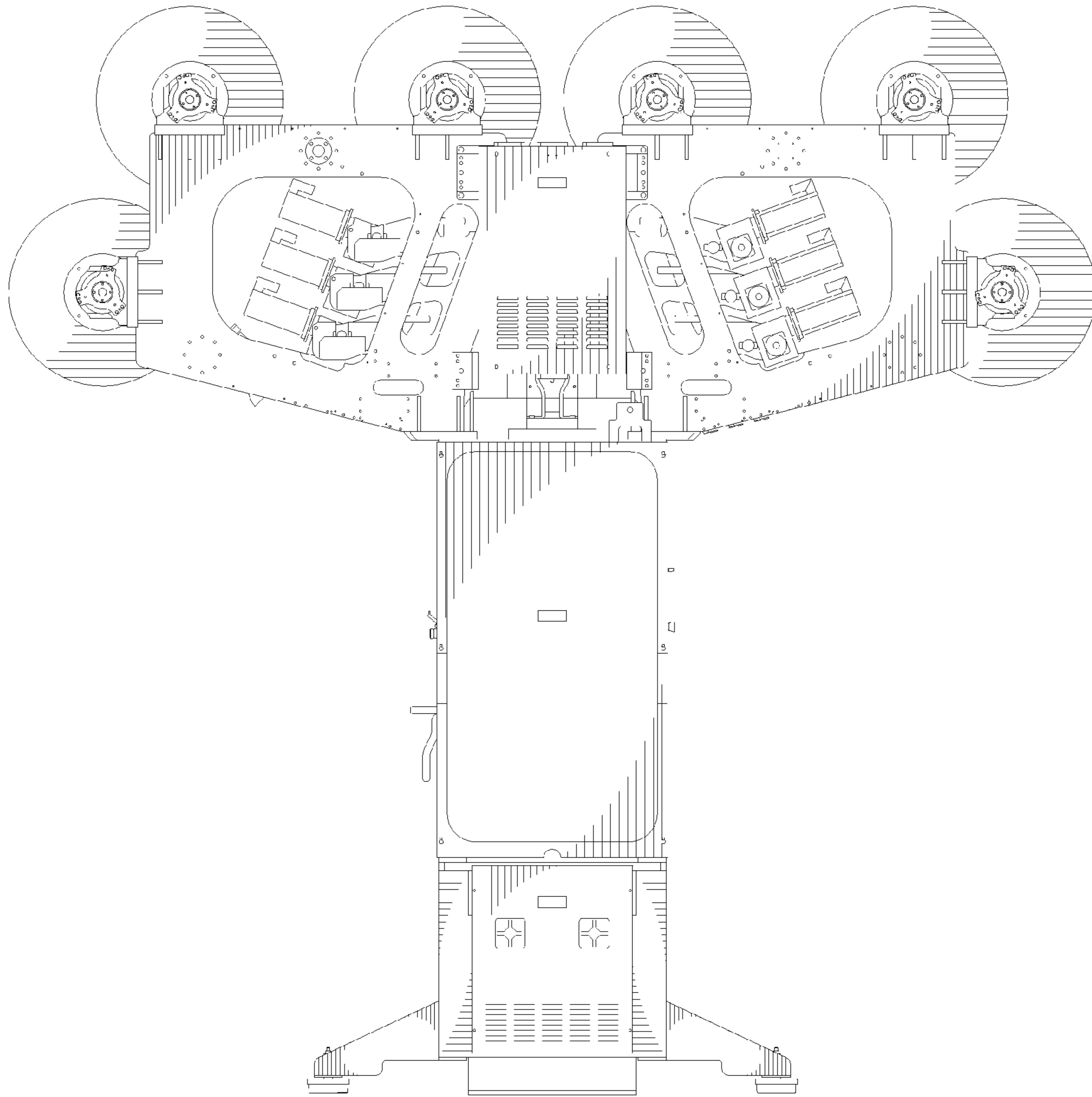


Fig. 5

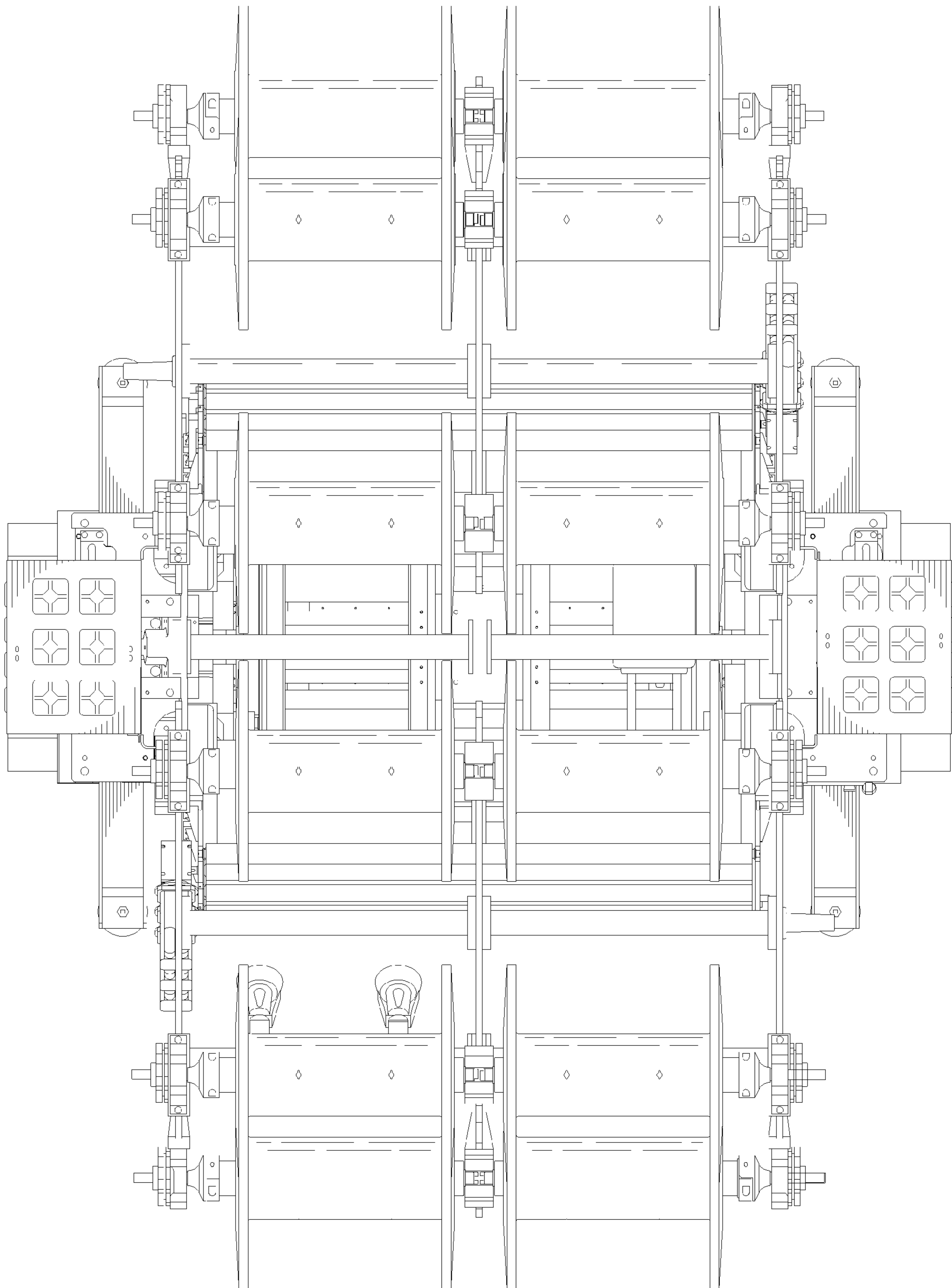


Fig. 6

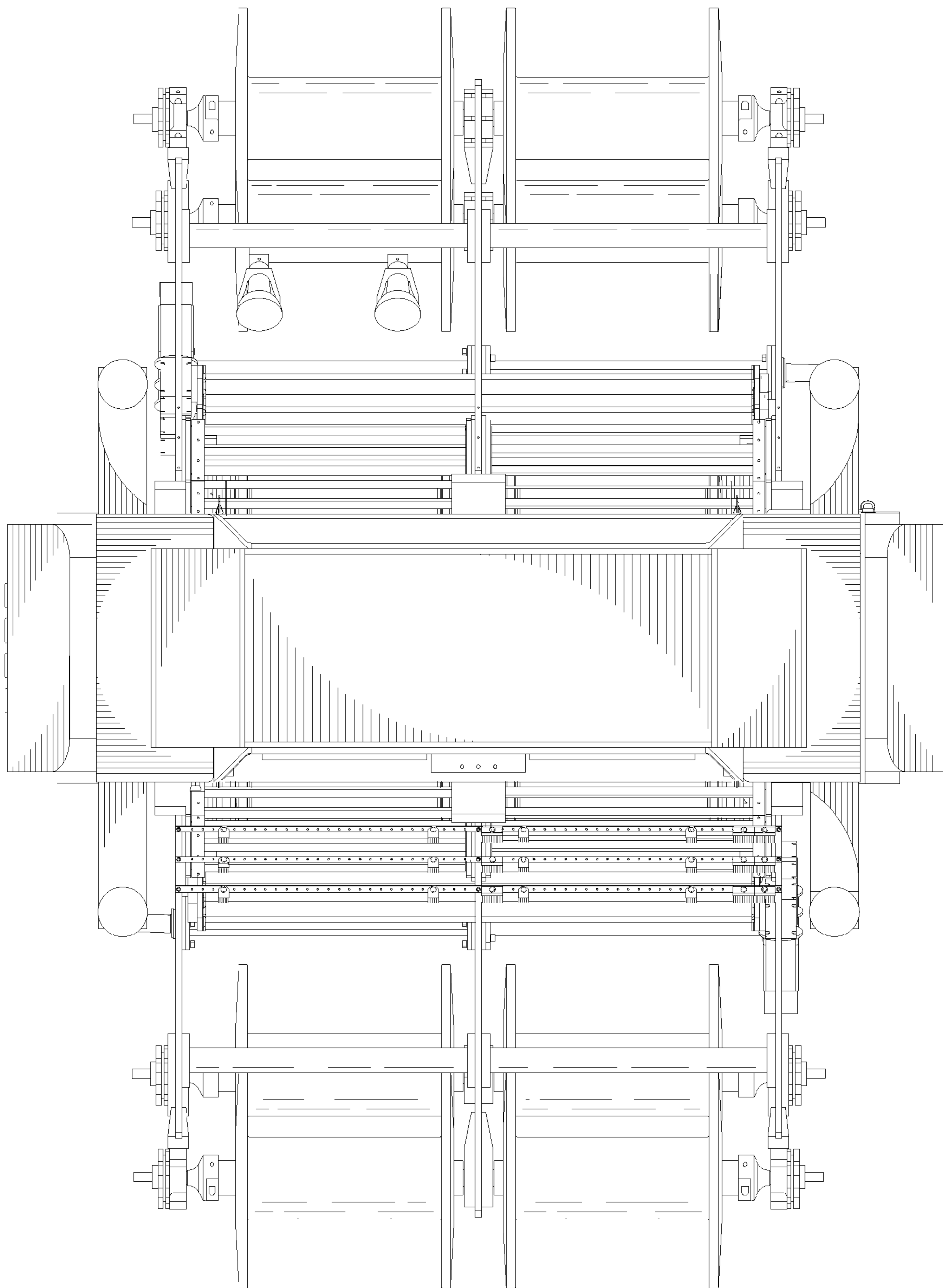


Fig. 7