



US00D611962S

(12) **United States Design Patent**  
**Schneider et al.**

(10) **Patent No.:** **US D611,962 S**  
(45) **Date of Patent:** **\*\* Mar. 16, 2010**

(54) **INFLATOR**

D499,744 S \* 12/2004 Orschell et al. .... D15/7  
D538,825 S \* 3/2007 Chen Han ..... D15/9

(75) Inventors: **Bret M. Schneider**, Newport, KY (US);  
**John R. Brandt**, Cincinnati, OH (US);  
**Elizabeth A. Gradwohl**, Morrow, OH  
(US)

\* cited by examiner

*Primary Examiner*—Ralf Seifert  
(74) *Attorney, Agent, or Firm*—Jones Day

(73) Assignee: **Campbell Hausfeld/Scott Fetzer  
Company**, Harrison, OH (US)

(57) **CLAIM**

(\*\*) Term: **14 Years**

The ornamental design for an inflator, as shown and described.

(21) Appl. No.: **29/334,690**

**DESCRIPTION**

(22) Filed: **Mar. 31, 2009**

FIG. 1 is a front perspective view of an inflator embodying the ornamental design of the present invention.

(51) **LOC (9) Cl.** ..... **15-02**

FIG. 2 is a rear perspective view thereof.

(52) **U.S. Cl.** ..... **D15/9**

FIG. 3 is a front plan view thereof.

(58) **Field of Classification Search** ..... D15/7-9;  
D23/231, 232, 225; 417/410.1, 359, 415-416,  
417/234, 321, 265, 405

FIG. 4 is a rear plan view thereof.

FIG. 5 is a side view thereof.

See application file for complete search history.

FIG. 6 is an opposite side thereof.

FIG. 7 is a top view thereof; and,

FIG. 8 is a bottom view thereof.

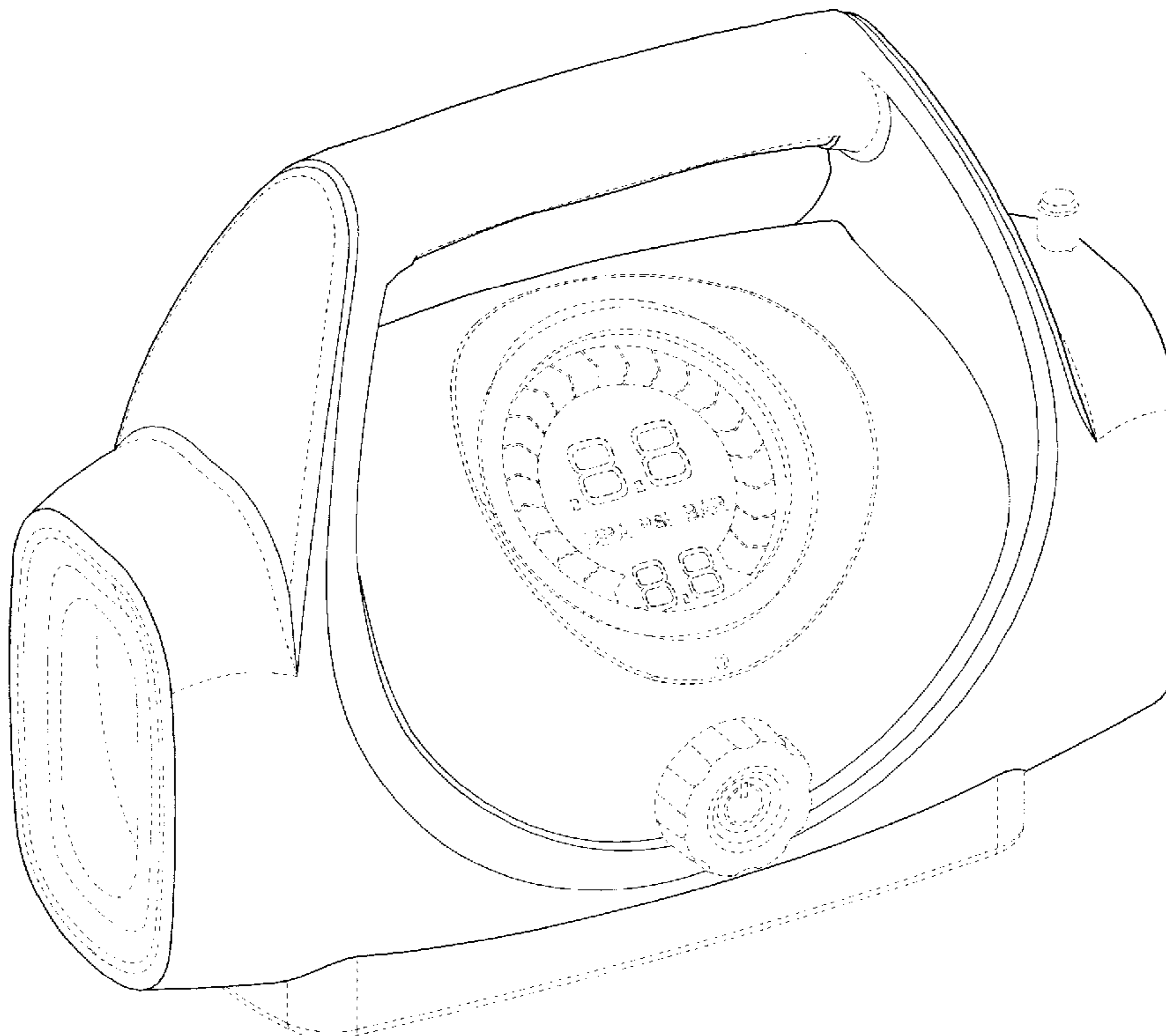
(56) **References Cited**

The broken lines in FIGS. 1-8 are for illustrative purposes only and form no part of the claimed design.

**U.S. PATENT DOCUMENTS**

D277,675 S \* 2/1985 Hung ..... D15/9  
D390,236 S \* 2/1998 Ashcraft ..... D15/9  
D475,454 S \* 6/2003 Gillespie et al. .... D24/111  
D479,248 S \* 9/2003 Gist et al. .... D15/9

**1 Claim, 7 Drawing Sheets**



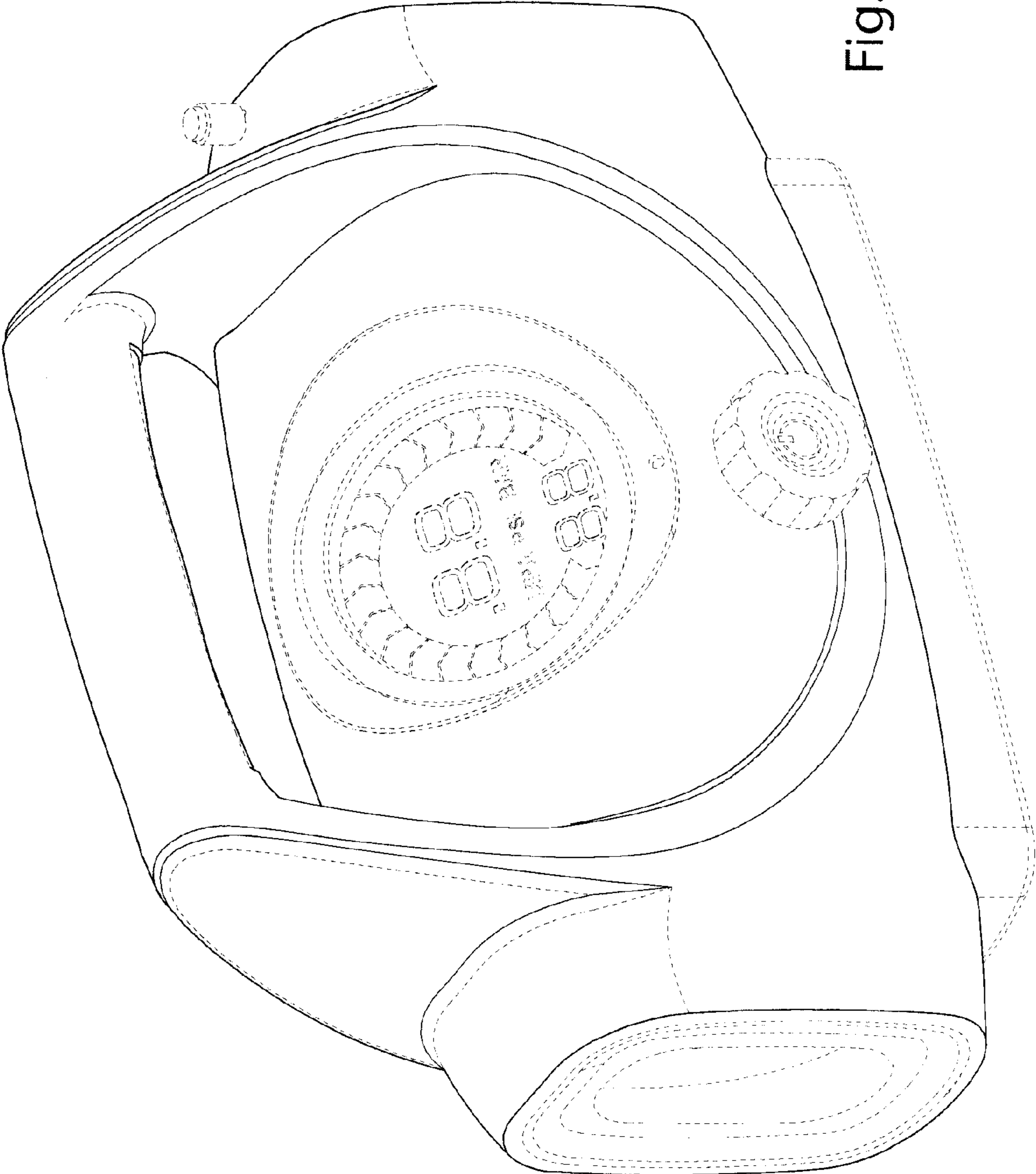


Fig. 1

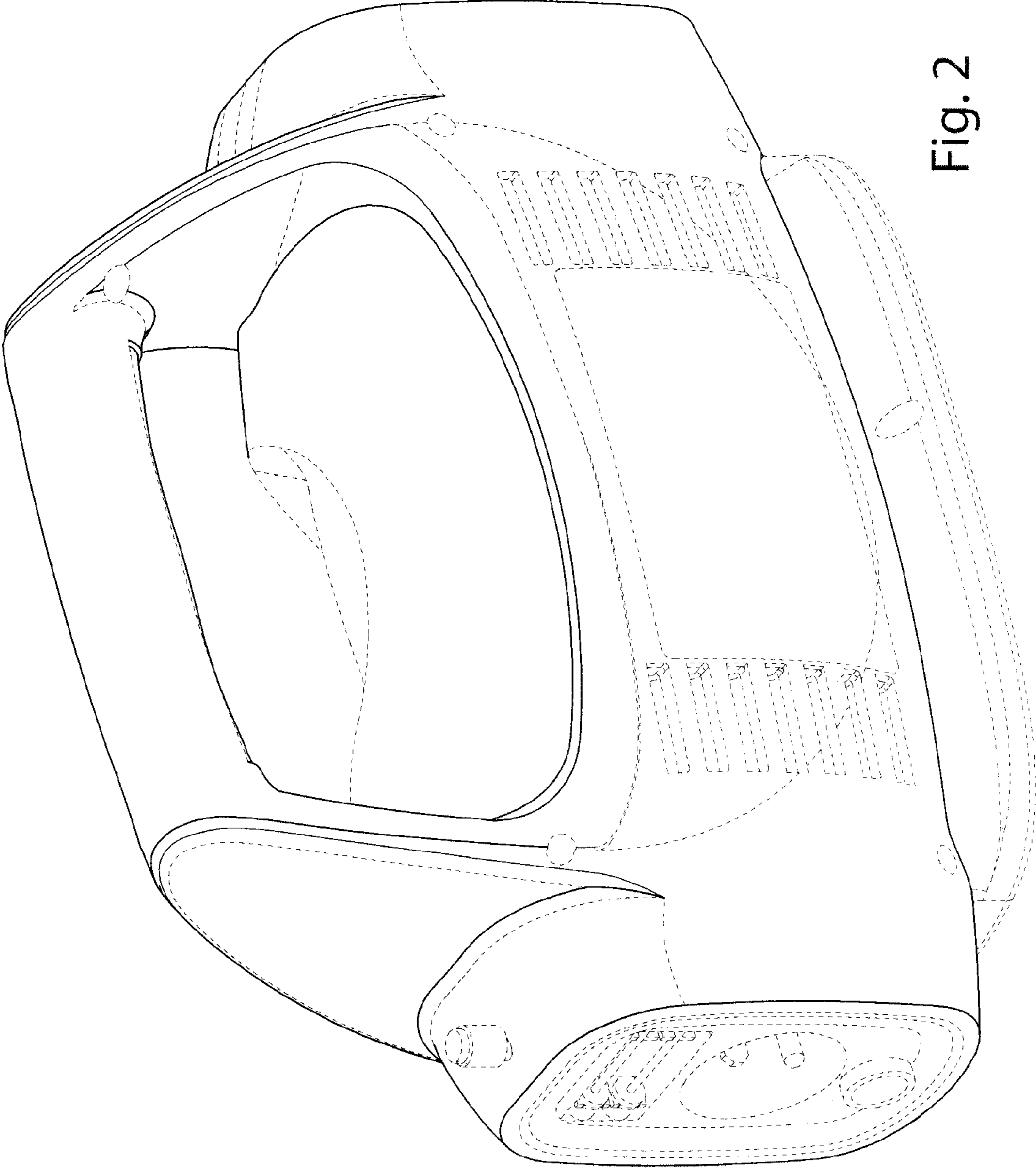


Fig. 2

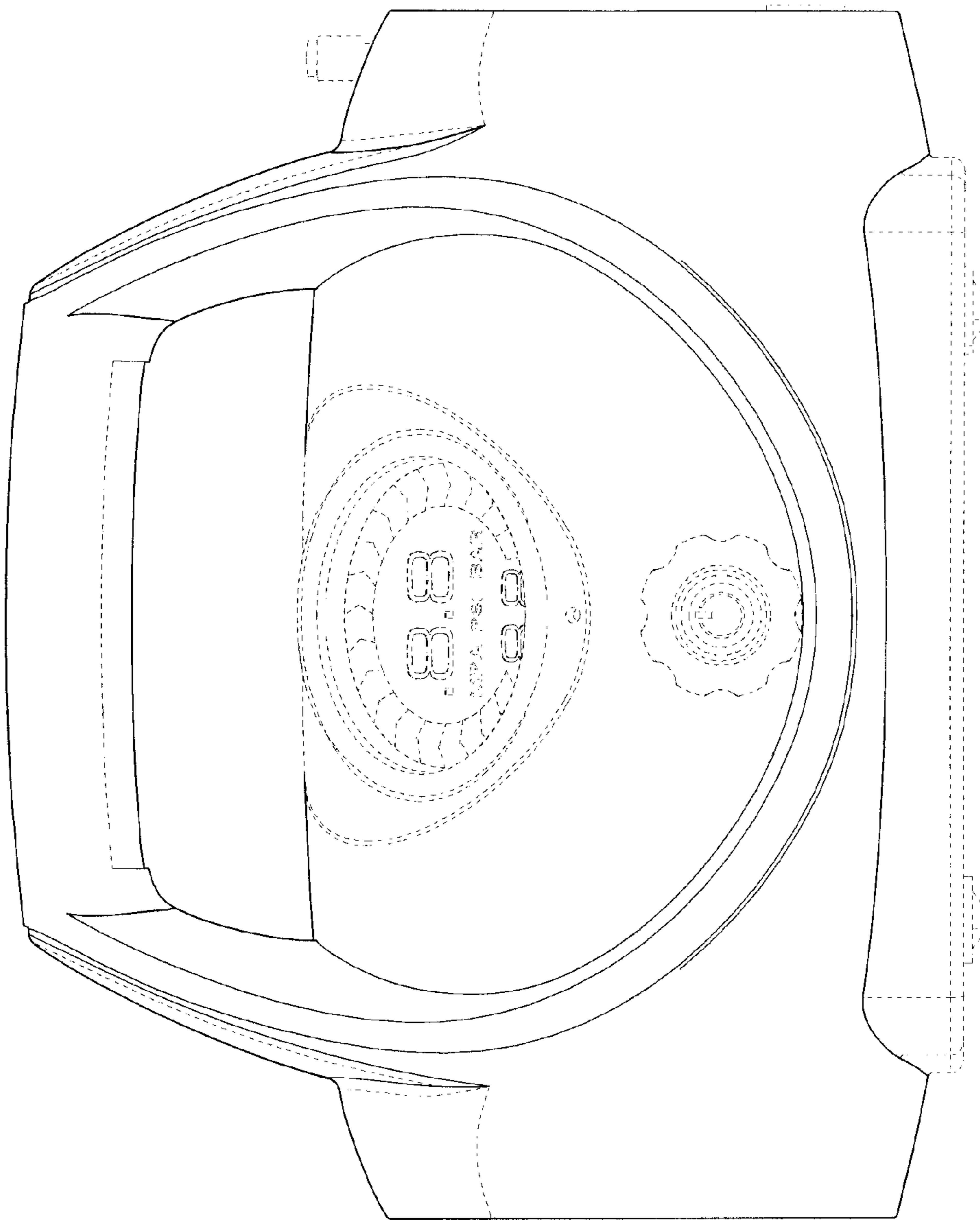


Fig. 3

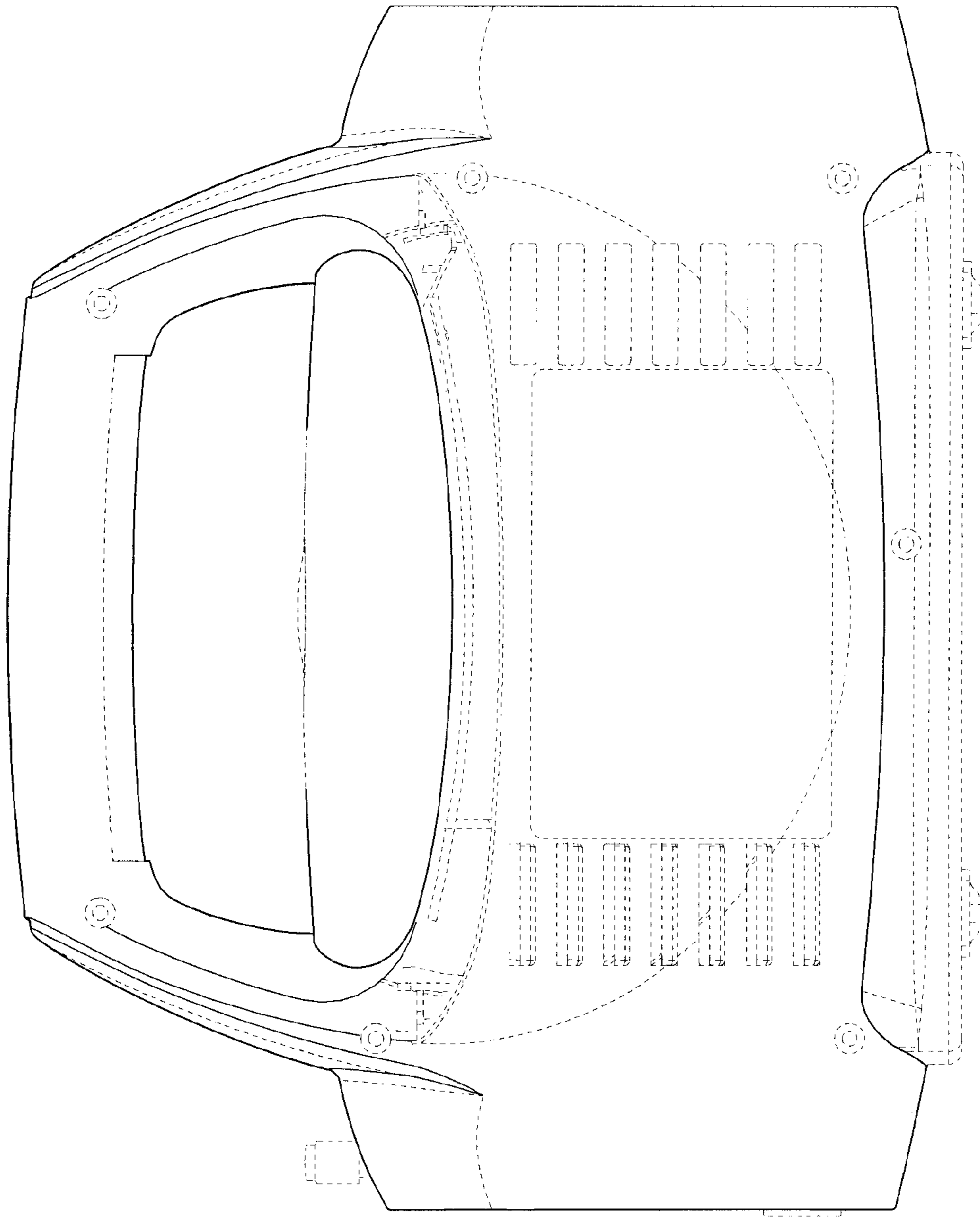


Fig. 4

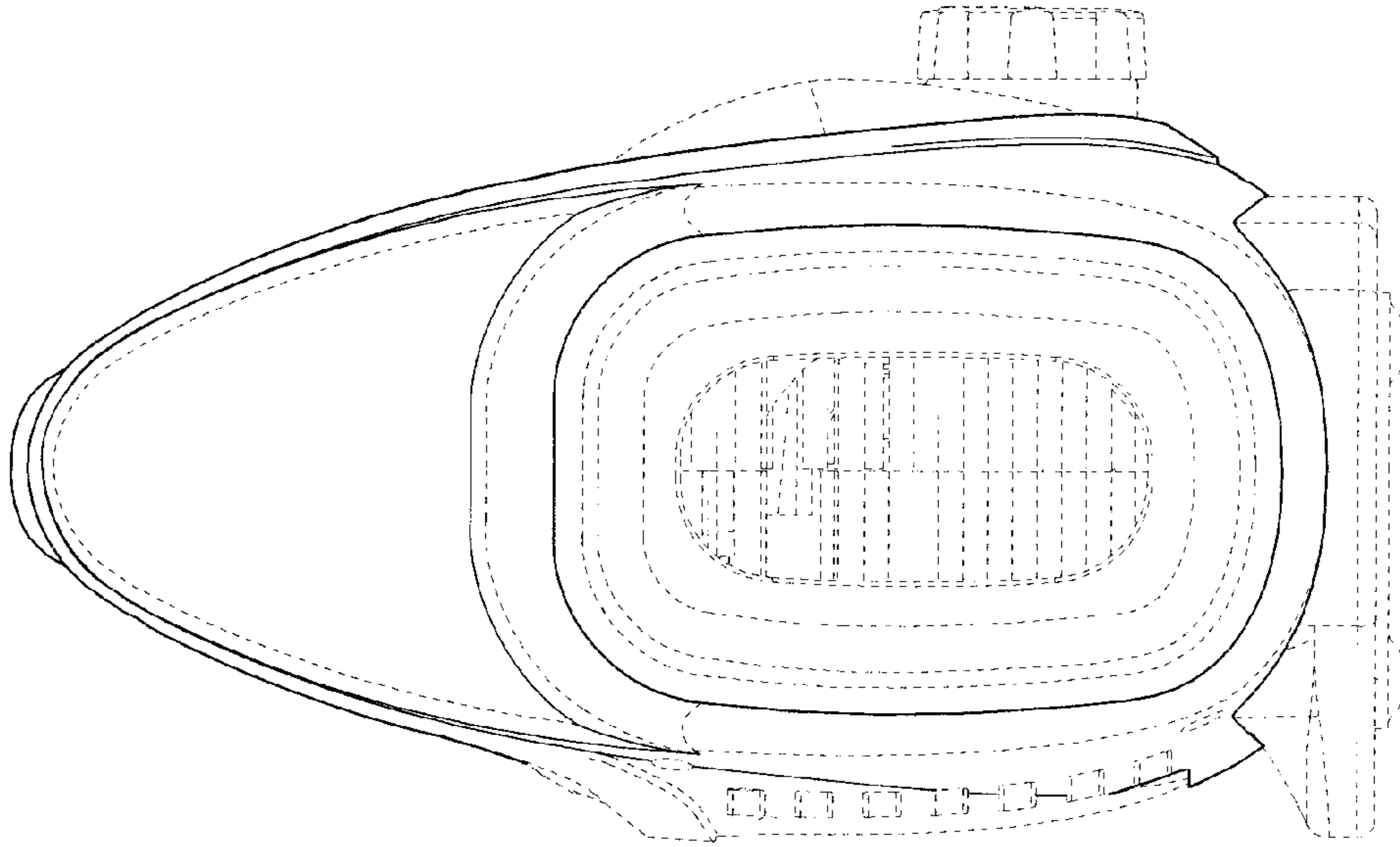


Fig. 6

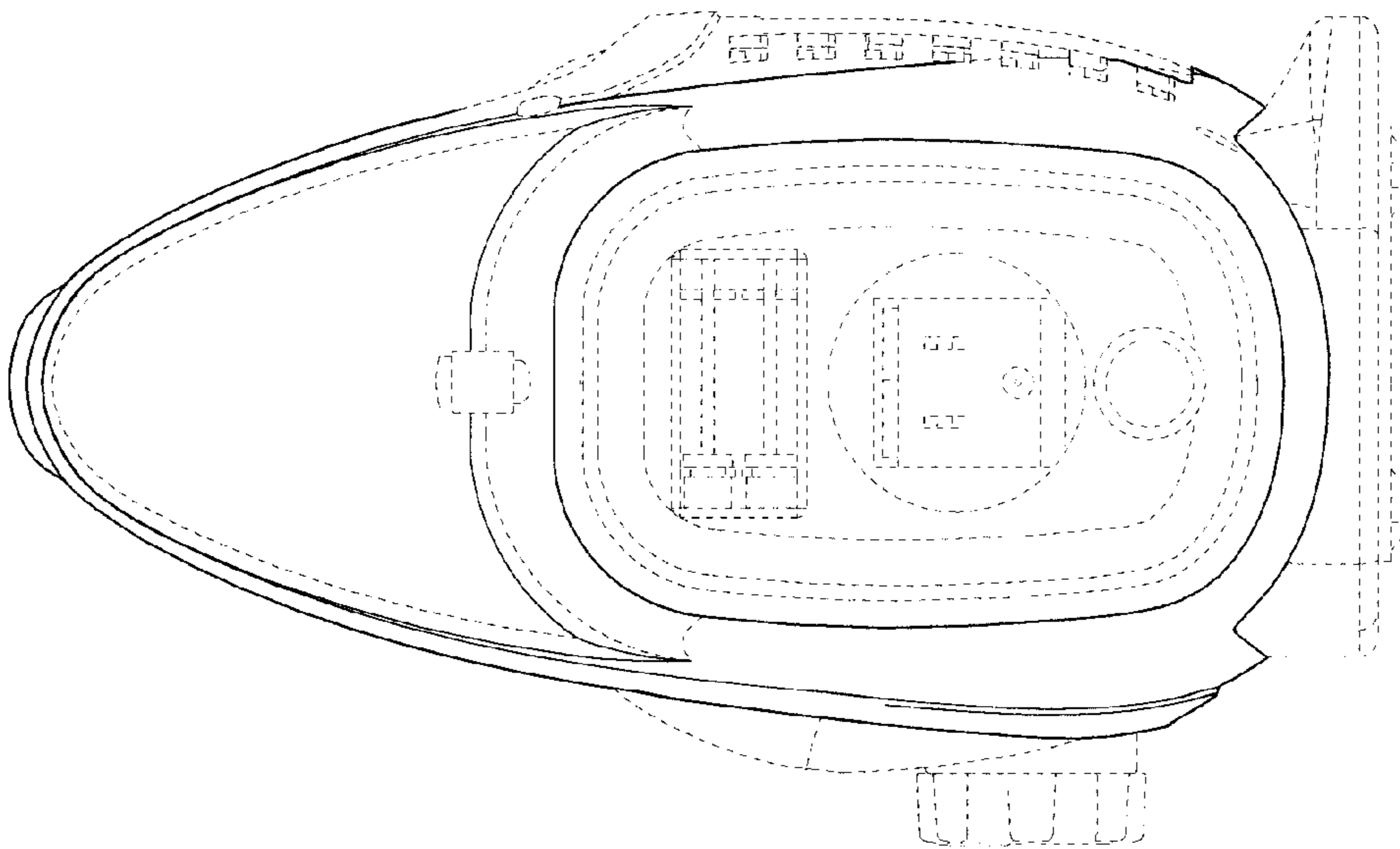


Fig. 5

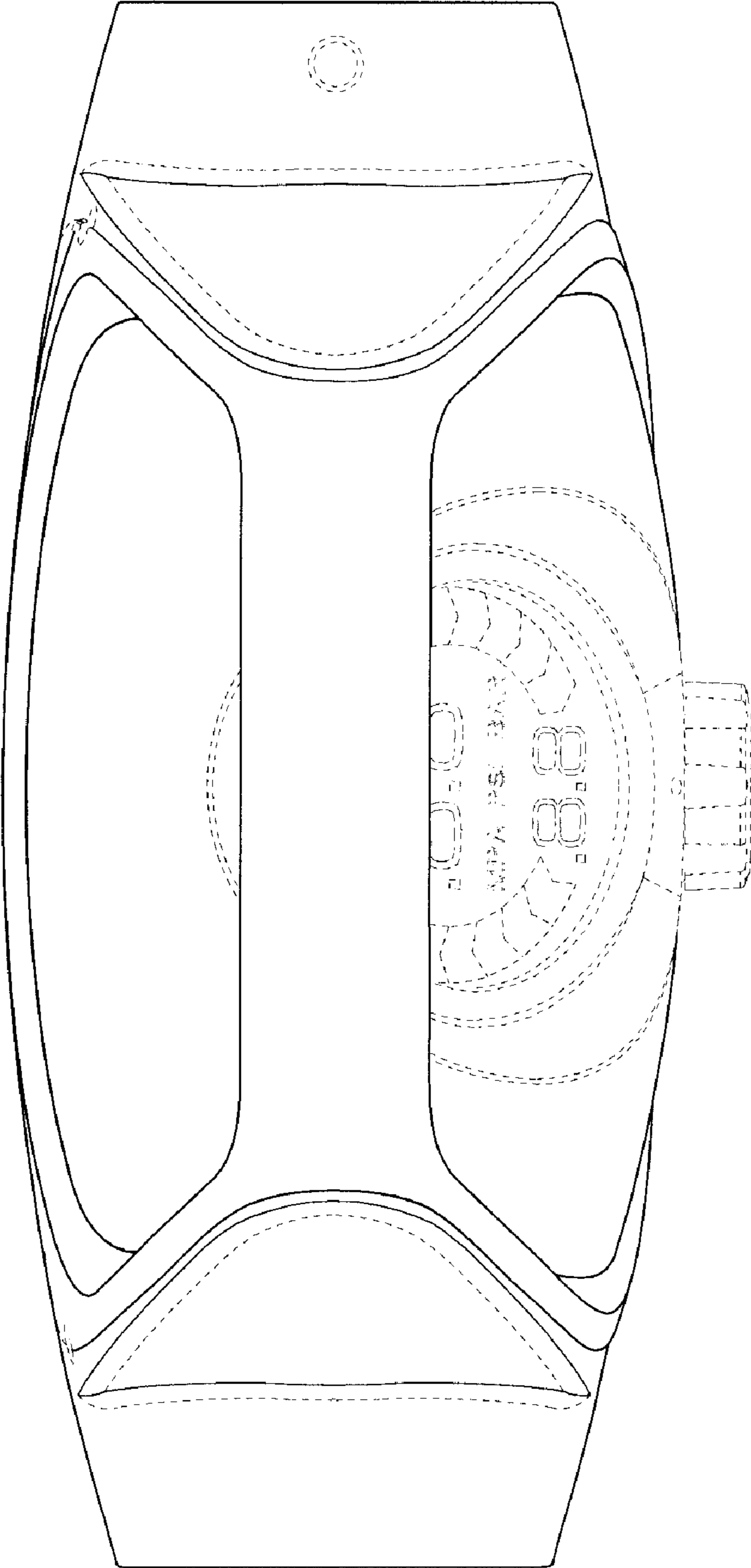


Fig. 7

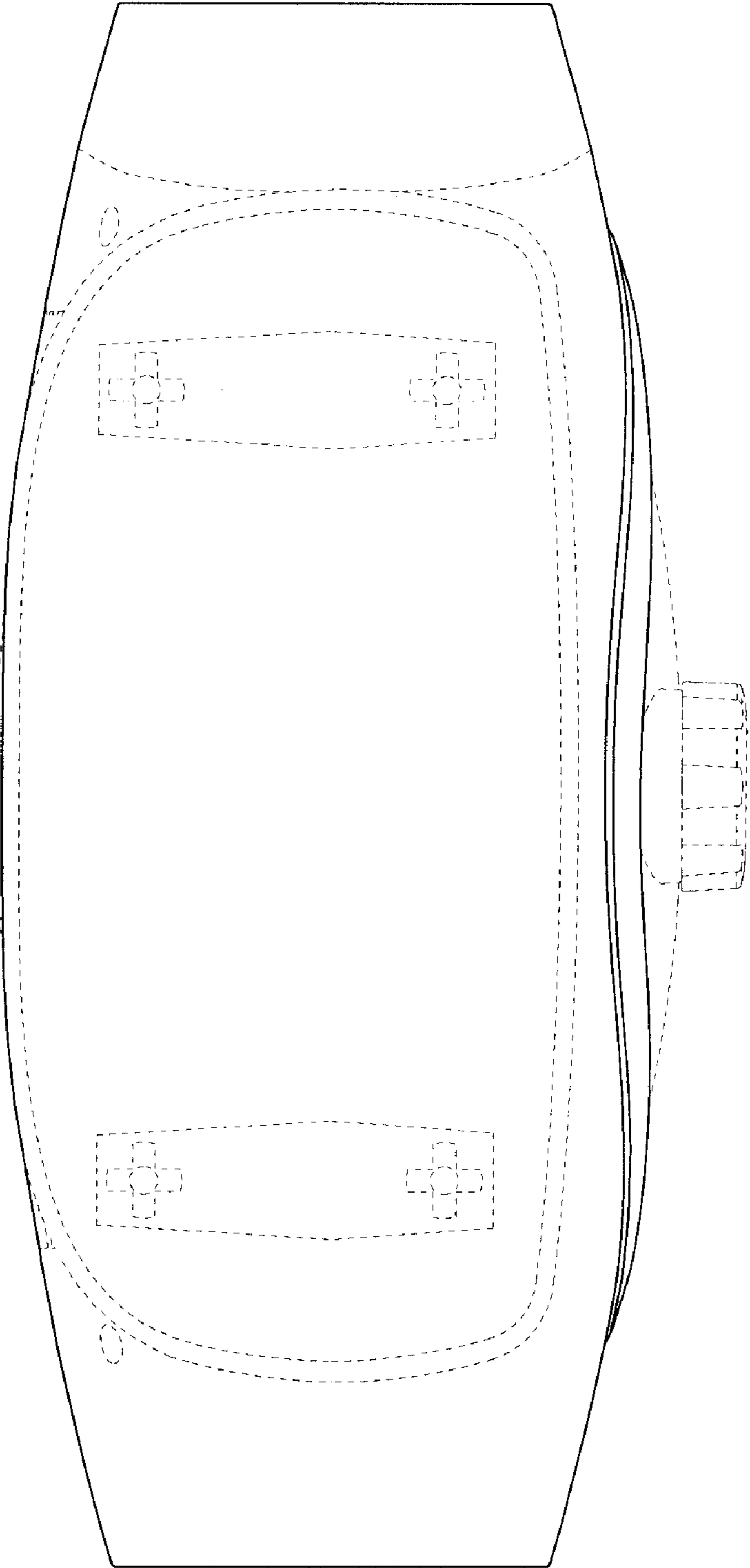


Fig. 8