



US00D611961S

(12) **United States Design Patent**
Boussu et al.

(10) **Patent No.:** **US D611,961 S**
(45) **Date of Patent:** **** Mar. 16, 2010**

(54) **PUMP ASSEMBLY**

(75) Inventors: **Fred Boussu**, West Newbury, MA (US);
Ed McLean, Billerica, MA (US); **Kevin Ryczek**,
Mathuen, MA (US); **Sean Albert**, Barrington, NH (US)

(73) Assignee: **Smith & Nephew, Inc.**, Memphis, TN (US)

(**) Term: **14 Years**

(21) Appl. No.: **29/303,473**

(22) Filed: **Feb. 8, 2008**

(51) **LOC (9) Cl.** **15-02**

(52) **U.S. Cl.** **D15/7**

(58) **Field of Classification Search** D15/7-9;
D23/231, 232, 225; 417/410.1, 359, 415-416,
417/234, 321, 265, 405

See application file for complete search history.

(56) **References Cited**

U.S. PATENT DOCUMENTS

D160,078 S *	9/1950	Edelstone et al.	D15/7
D241,912 S *	10/1976	Ishigaki et al.	D9/689
D336,090 S *	6/1993	Lacorazza	D15/7
D342,263 S *	12/1993	Harrell, Jr.	D15/7
D358,397 S *	5/1995	Phillips et al.	D15/7
D375,315 S *	11/1996	Paul-Johansson	D15/7
D399,213 S *	10/1998	Sorensen et al.	D15/7
D454,358 S *	3/2002	Davis et al.	D15/7

D510,939 S *	10/2005	Nikolayev et al.	D15/9
D559,866 S *	1/2008	Saunders et al.	D15/7
D588,161 S *	3/2009	Daniel	D15/7
D589,984 S *	4/2009	Roesler	D15/7

* cited by examiner

Primary Examiner—Ralf Seifert

(74) *Attorney, Agent, or Firm*—Fish & Richardson P.C.

(57) **CLAIM**

The ornamental design for a pump assembly, as shown and described.

DESCRIPTION

FIG. 1 is a front perspective view of a pump assembly showing our new design;

FIG. 2 is a front elevational view;

FIG. 3 is a back elevational view;

FIG. 4 is a right side elevational view;

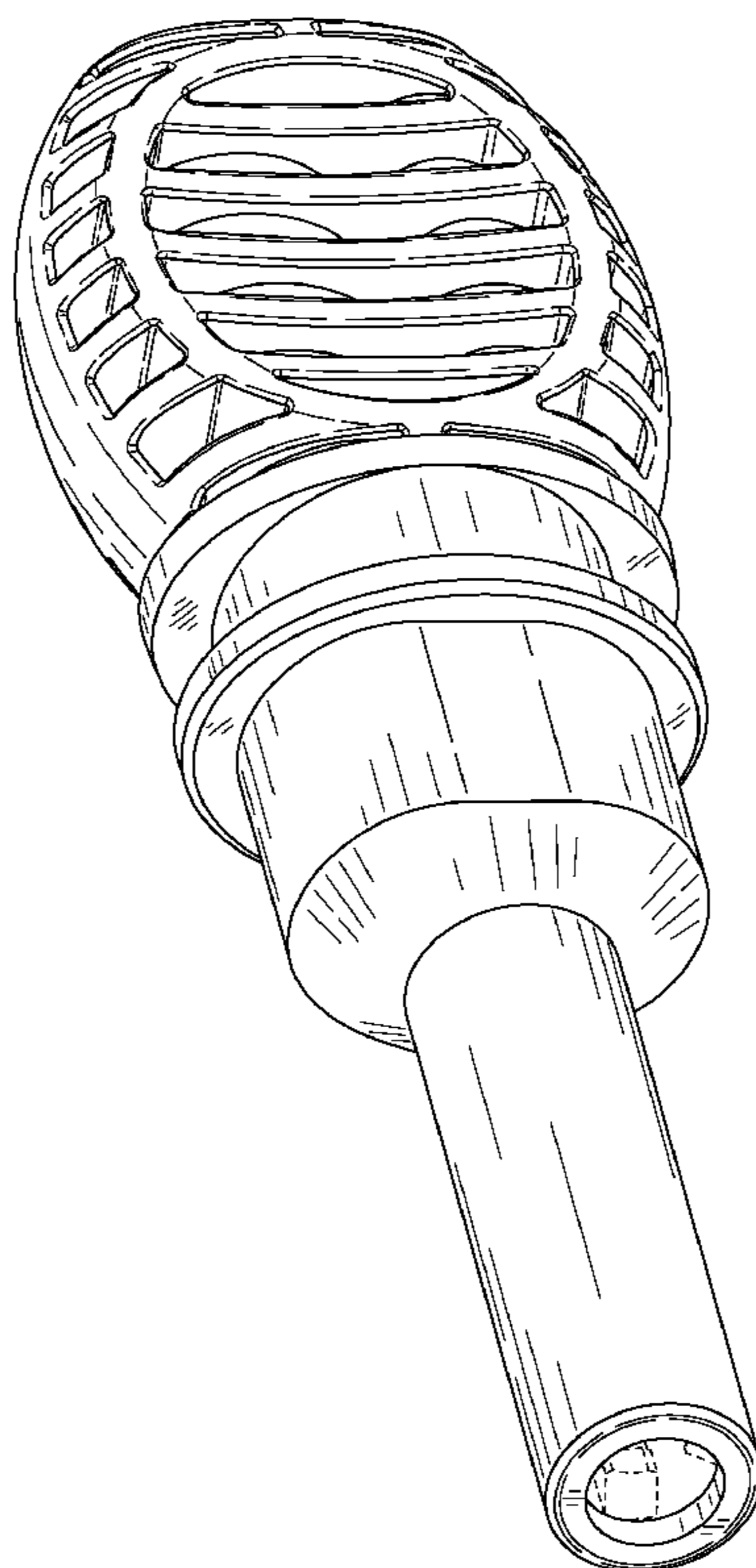
FIG. 5 is a left side elevational view;

FIG. 6 is a top plan view; and,

FIG. 7 is a bottom plan view.

The broken line showing of the two apertures and the elements contained therein in FIG. 6, the four square elements and inner ring in FIG. 7 and the partial showing of the elements inside the cylindrical chamber in FIG. 1 is for illustrative purposes only and forms no part of the claimed design.

1 Claim, 5 Drawing Sheets



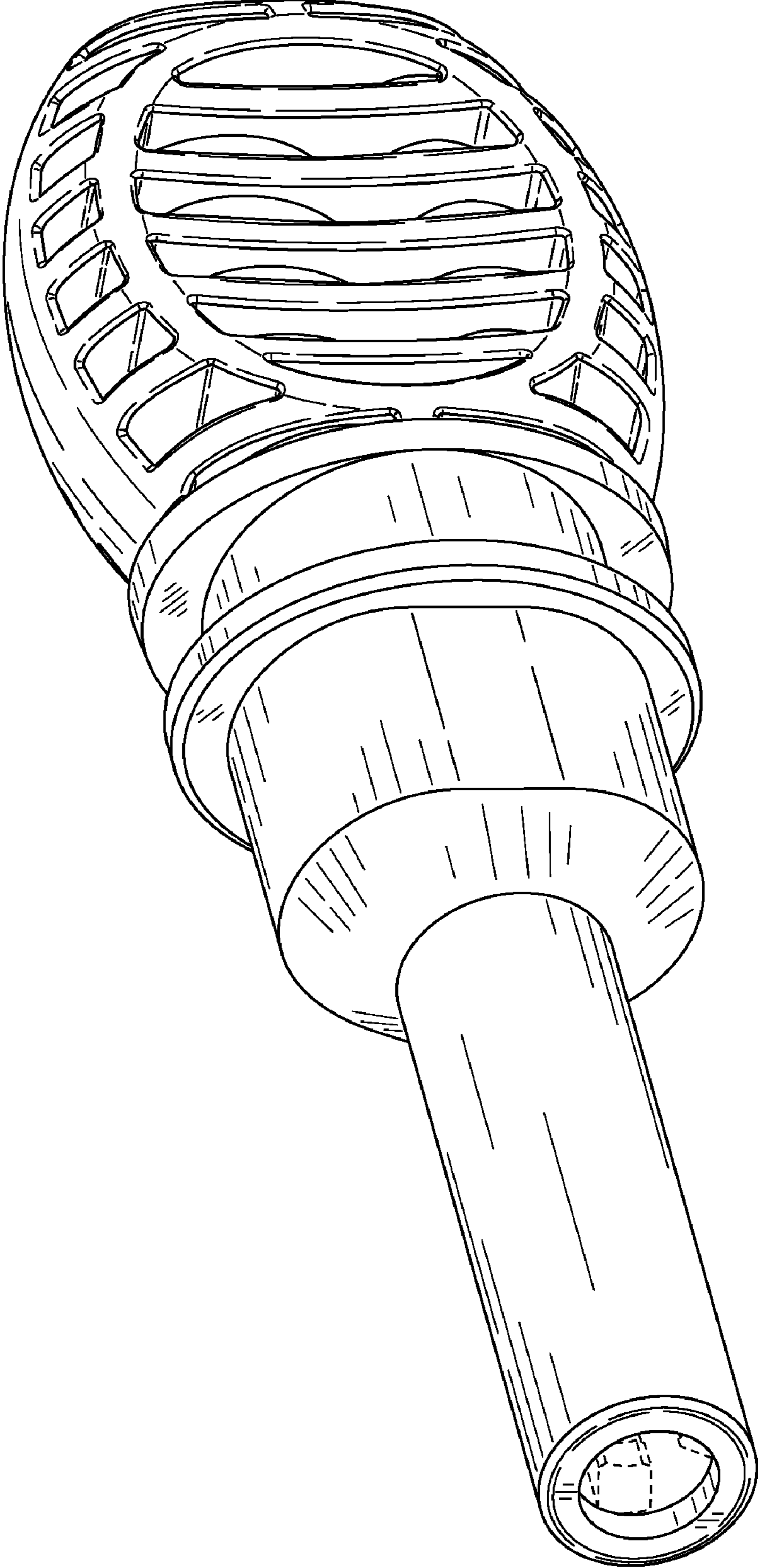


FIG. 1

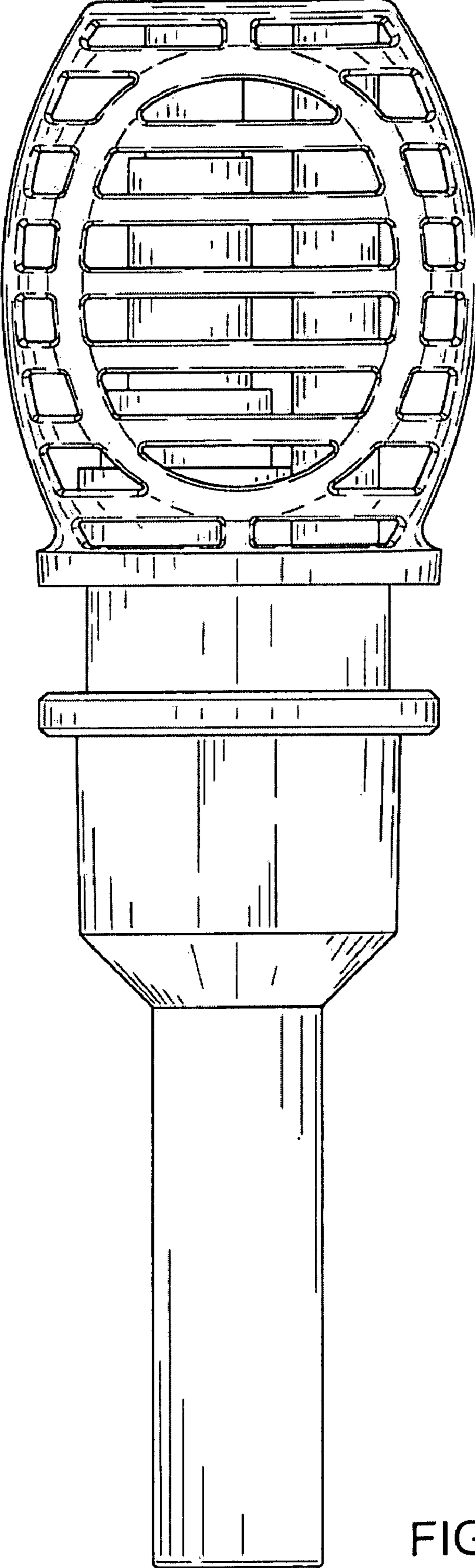


FIG. 2

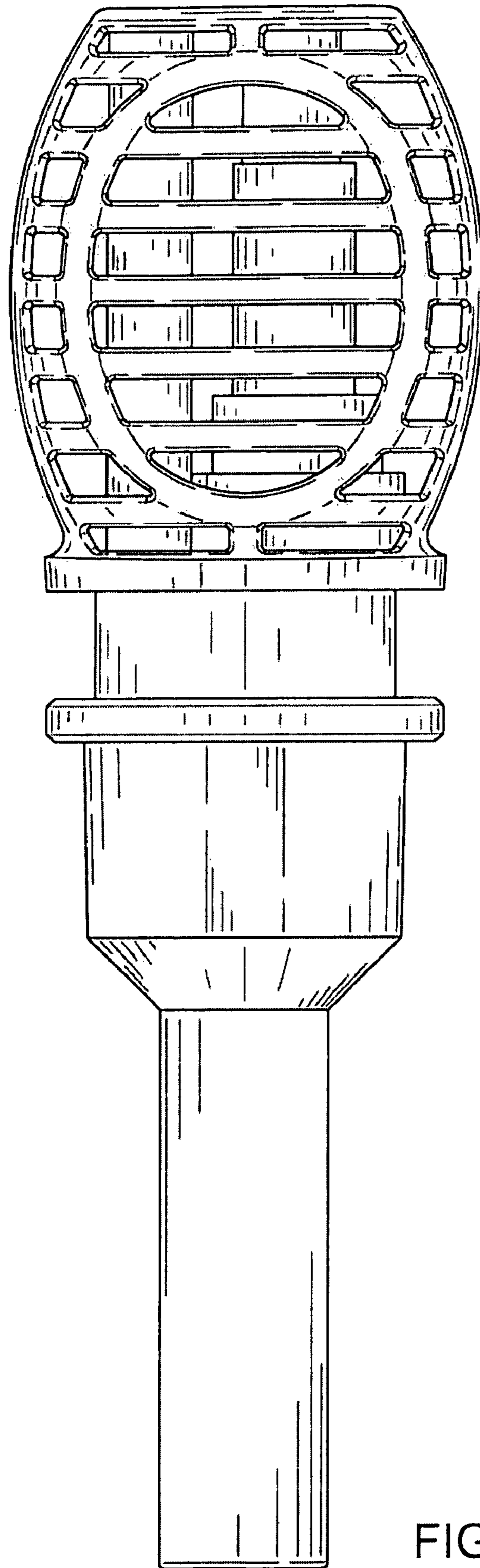


FIG. 3

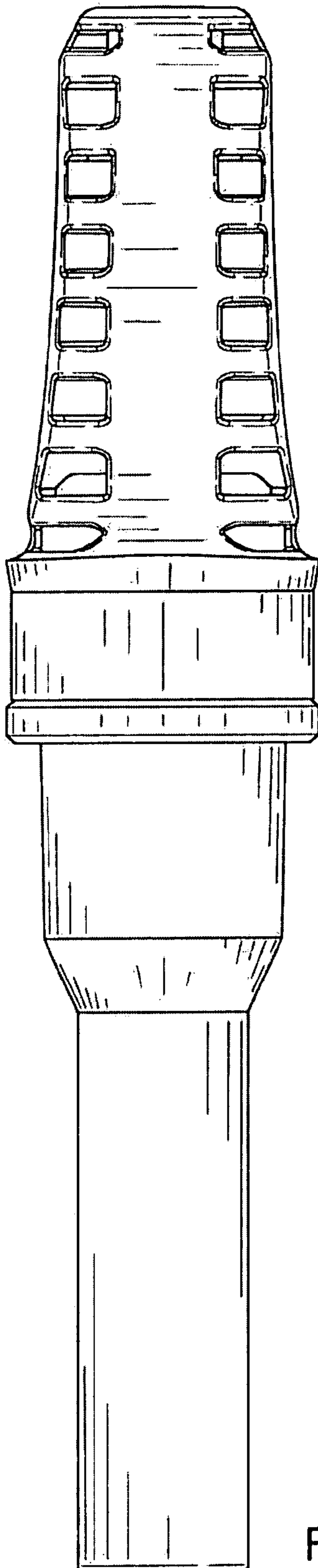


FIG. 4

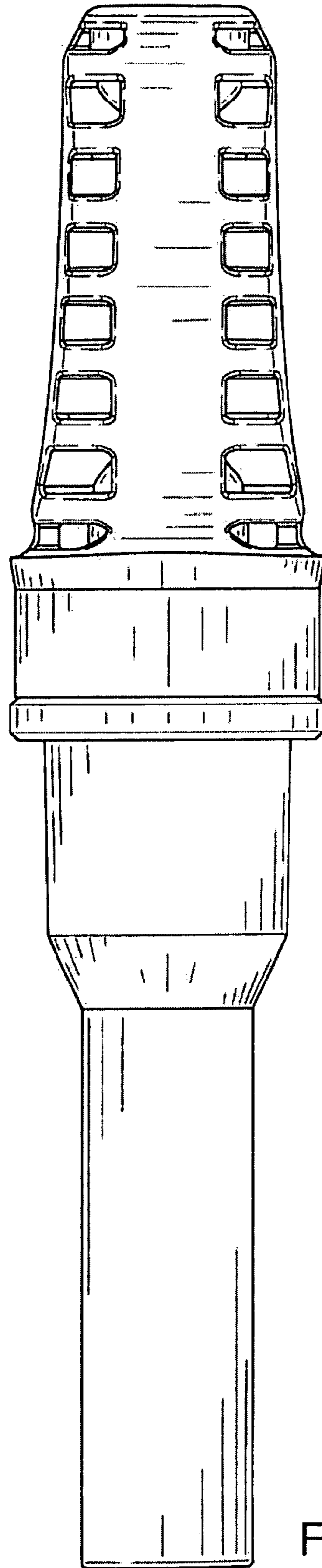


FIG. 5

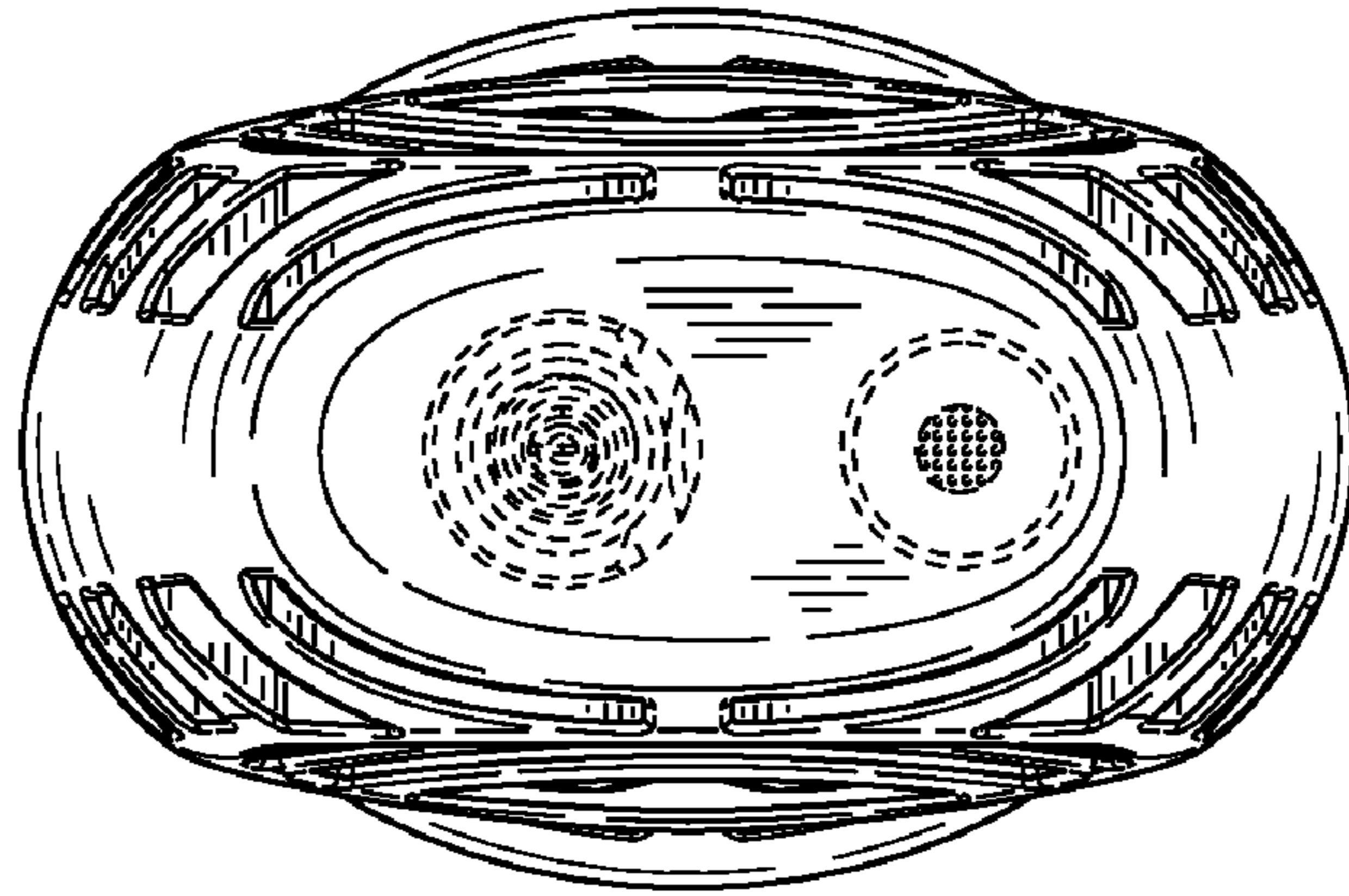


FIG. 6

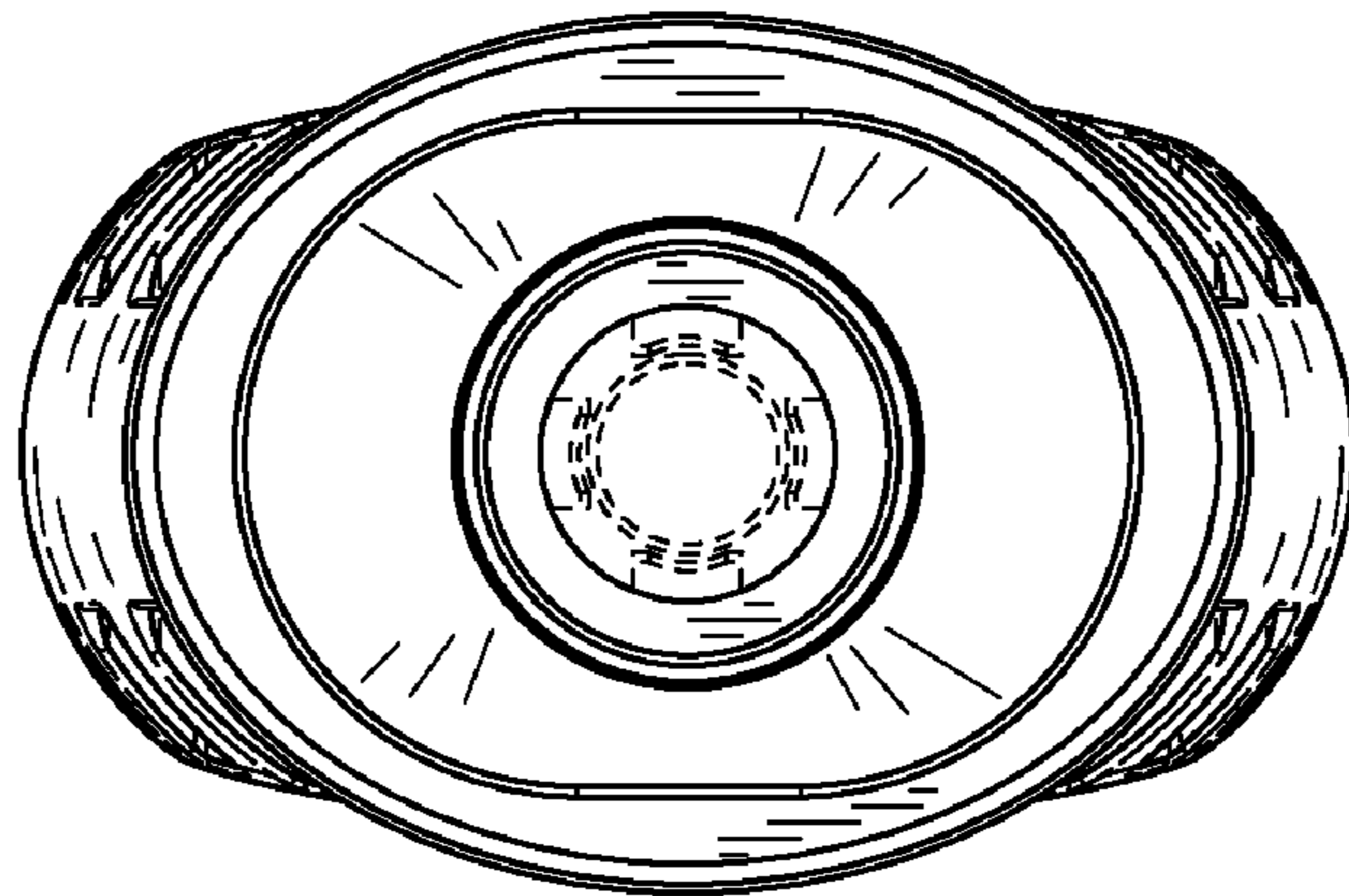


FIG. 7