



US00D611946S

(12) **United States Design Patent**
Wisniewski

(10) **Patent No.:** **US D611,946 S**

(45) **Date of Patent:** **** Mar. 16, 2010**

(54) **COMPUTER USB FLASH DRIVE HOUSING**

2009/0170371 A1* 7/2009 Bedol 439/607.01

(75) Inventor: **Jesse Paul Wisniewski**, 10935
Montongo St., San Diego, CA (US)
92126

* cited by examiner

Primary Examiner—Cathron C Brooks
Assistant Examiner—Karen E Kearney

(73) Assignee: **Jesse Paul Wisniewski**, San Diego, CA
(US)

(57) **CLAIM**

(**) Term: **14 Years**

The ornamental design for a computer USB flash drive housing, as shown.

(21) Appl. No.: **29/332,531**

DESCRIPTION

(22) Filed: **Feb. 18, 2009**

(51) **LOC (9) Cl.** **14-99**

(52) **U.S. Cl.** **D14/480.5**

(58) **Field of Classification Search** D14/411,
D14/433, 435.1, 436, 137, 155, 167, 168,
D14/203.1–203.8, 240, 242, 299, 480.1–480.7,
D14/484.1; D3/203, 273; D13/107, 108,
D13/149, 184; 710/300, 301; 439/131, 135–147
See application file for complete search history.

FIG. 1 is a top view of a computer USB flash drive housing showing my new design;

FIG. 2 is a front view thereof;

FIG. 3 is a left end view thereof;

FIG. 4 is a right end view thereof;

FIG. 5 is a front, right end isometric view thereof; and,

FIG. 6 is a top, left end isometric view thereof.

The shading shown on the drawings is for the purpose of indicating areas of light and shadow, and does not represent color or color contrast.

The claimed computer USB flash drive housing is used to hold and protect a USB flash memory device, and could be used by persons, or in situations, where such protection would be desirable.

The claimed design features a hexagonal cross section throughout, with the exception of one end having material removed to reduce the thickness, and that same end having a countersunk hole made through it.

(56) **References Cited**

U.S. PATENT DOCUMENTS

D82,369 S *	10/1930	Cafiero	D13/149
D259,786 S *	7/1981	Leeson et al.	D14/242
4,922,059 A *	5/1990	Walker et al.	D13/184
D424,021 S *	5/2000	Amin	D13/151
D492,307 S *	6/2004	Aqqad et al.	D14/480.5
D513,005 S *	12/2005	Kobayakawa	D14/480.1
D516,809 S *	3/2006	Tagliati et al.	D3/273
D536,700 S *	2/2007	Landau	D14/480.5
D537,820 S *	3/2007	Hsu	D14/480.1
D539,285 S *	3/2007	Landau	D14/480.2

1 Claim, 1 Drawing Sheet

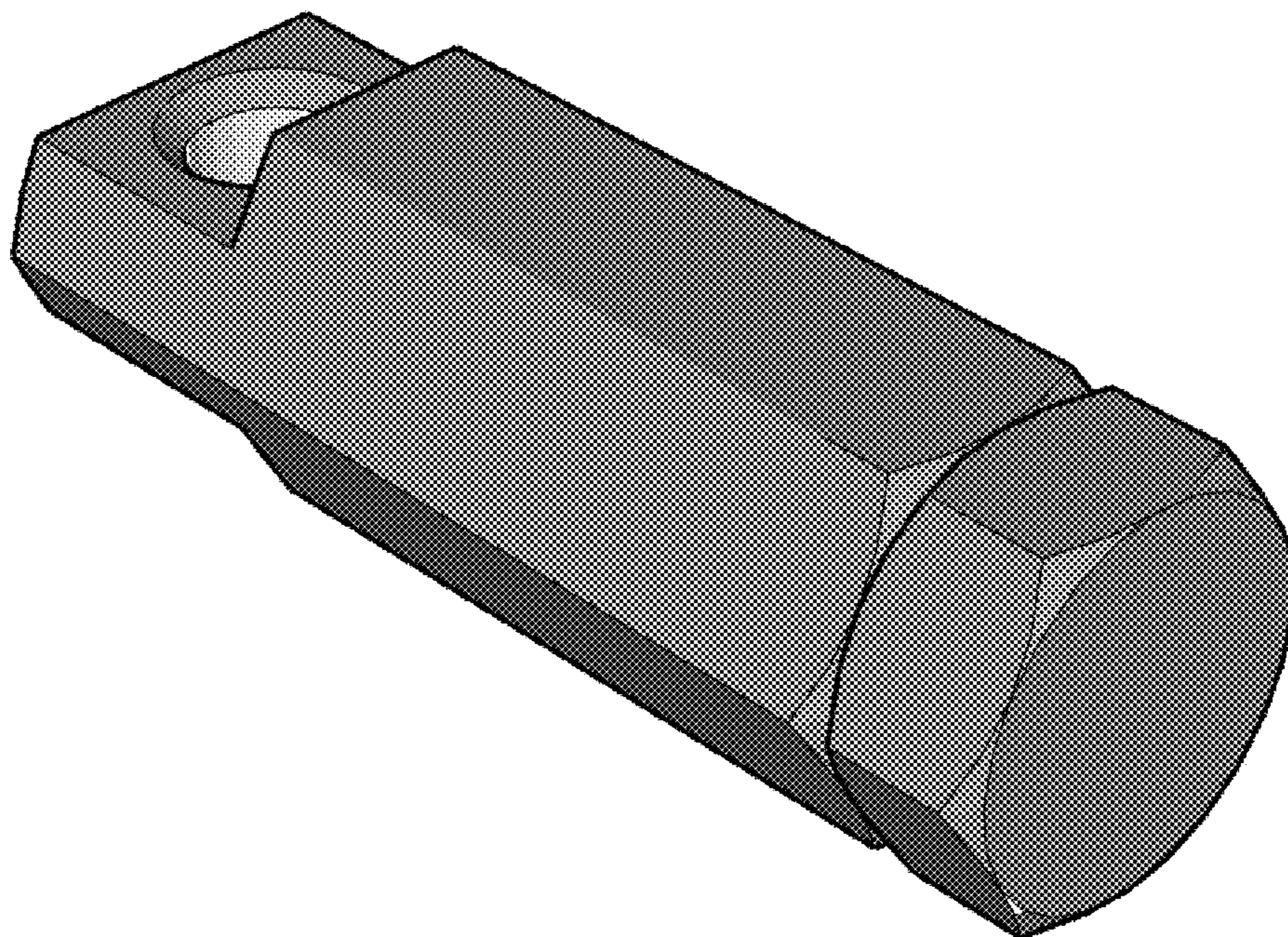


Fig. 1

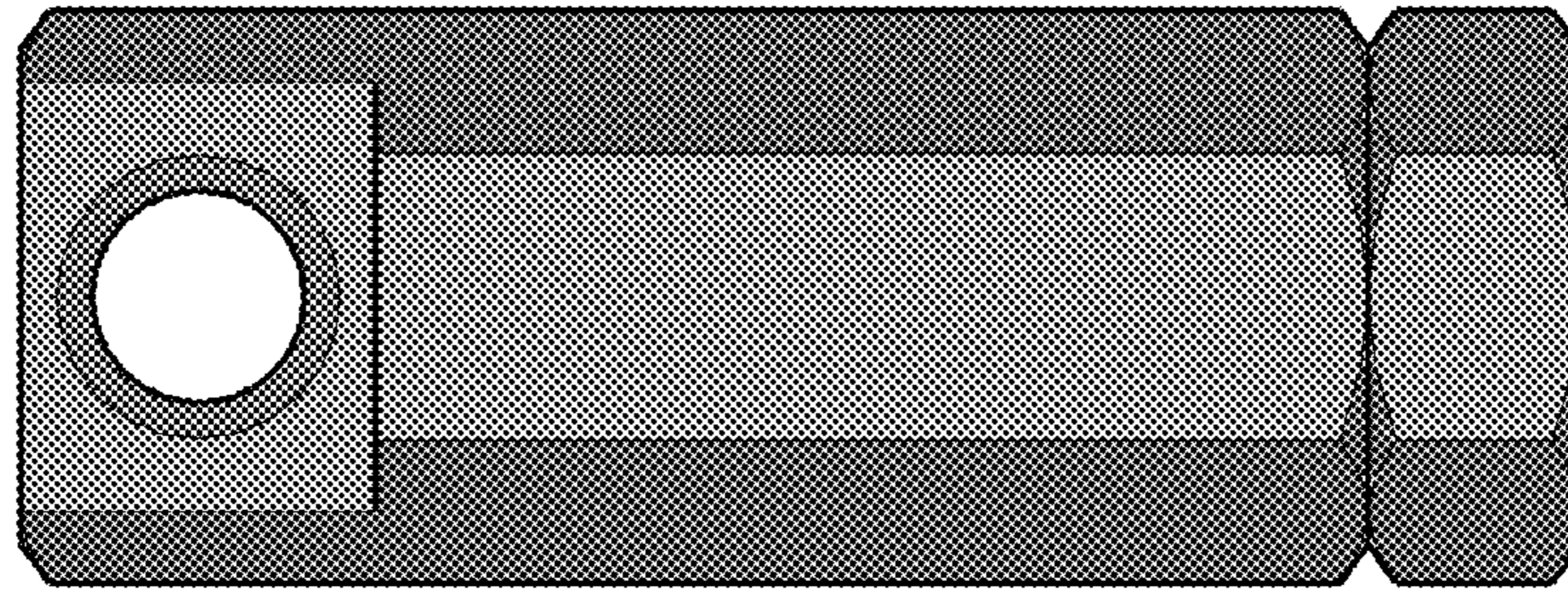


Fig. 2

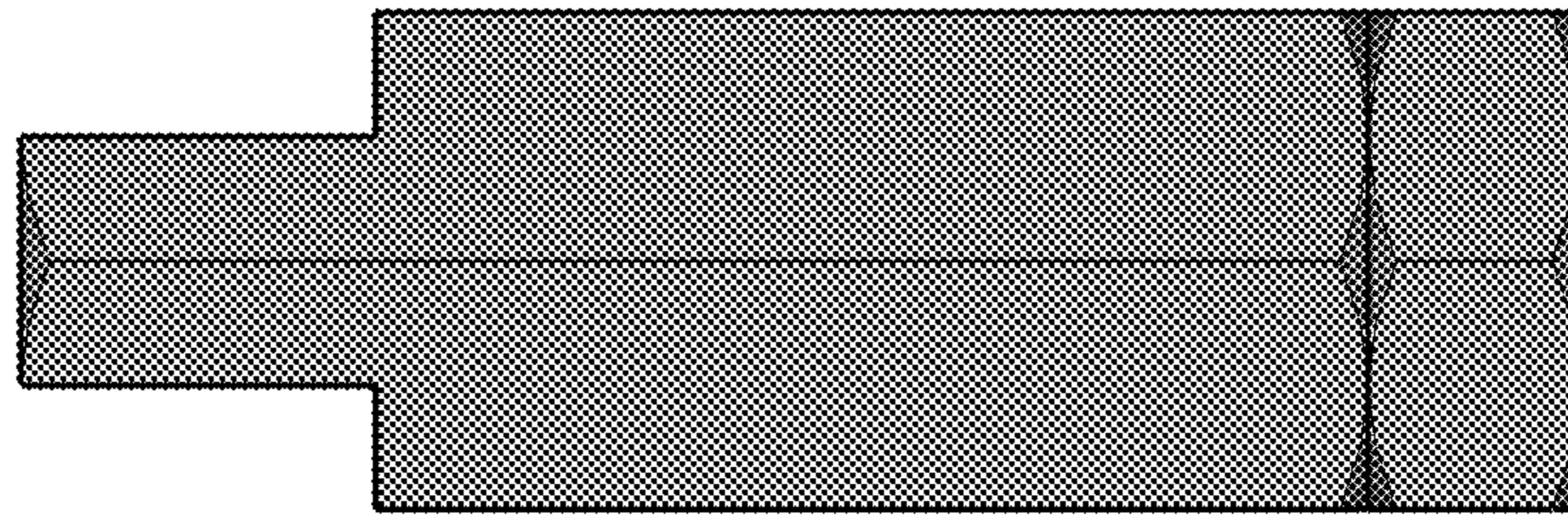


Fig. 3

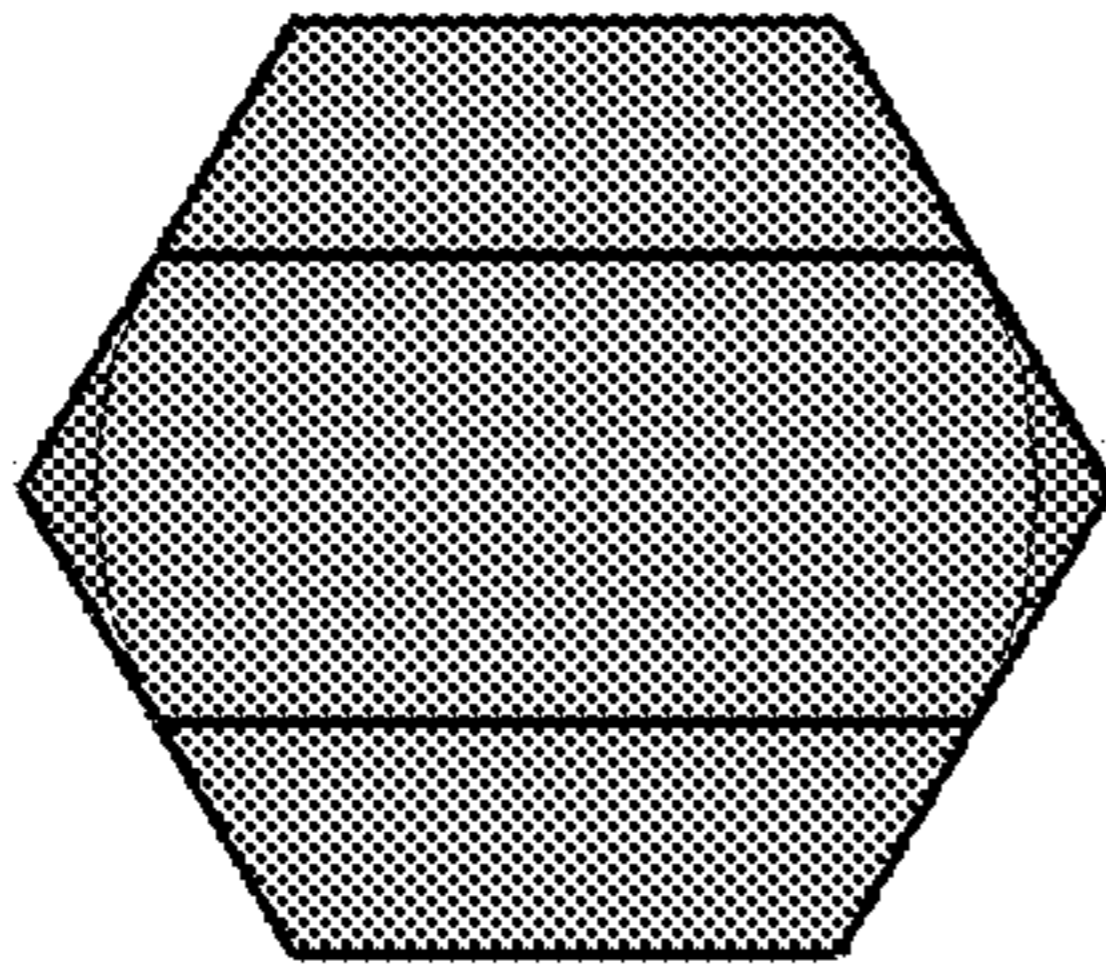


Fig. 4

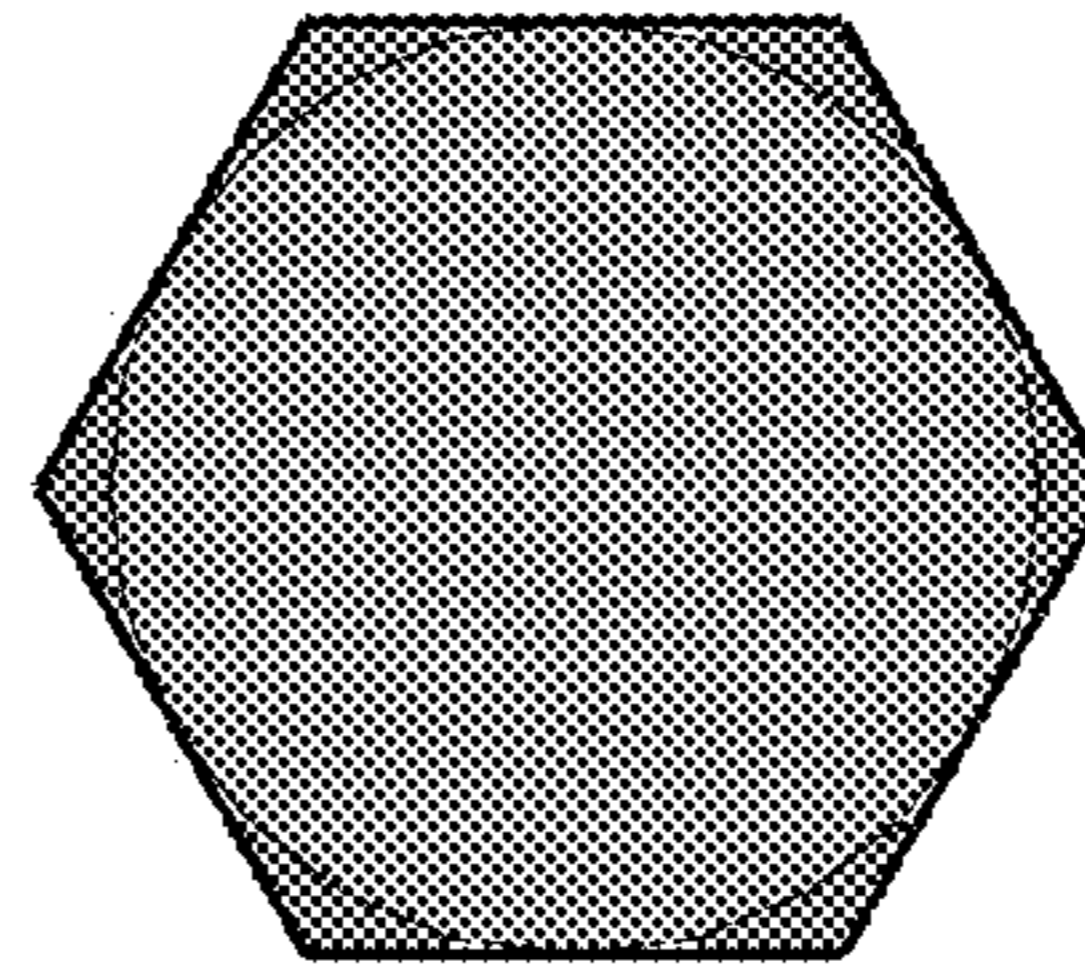


Fig. 5

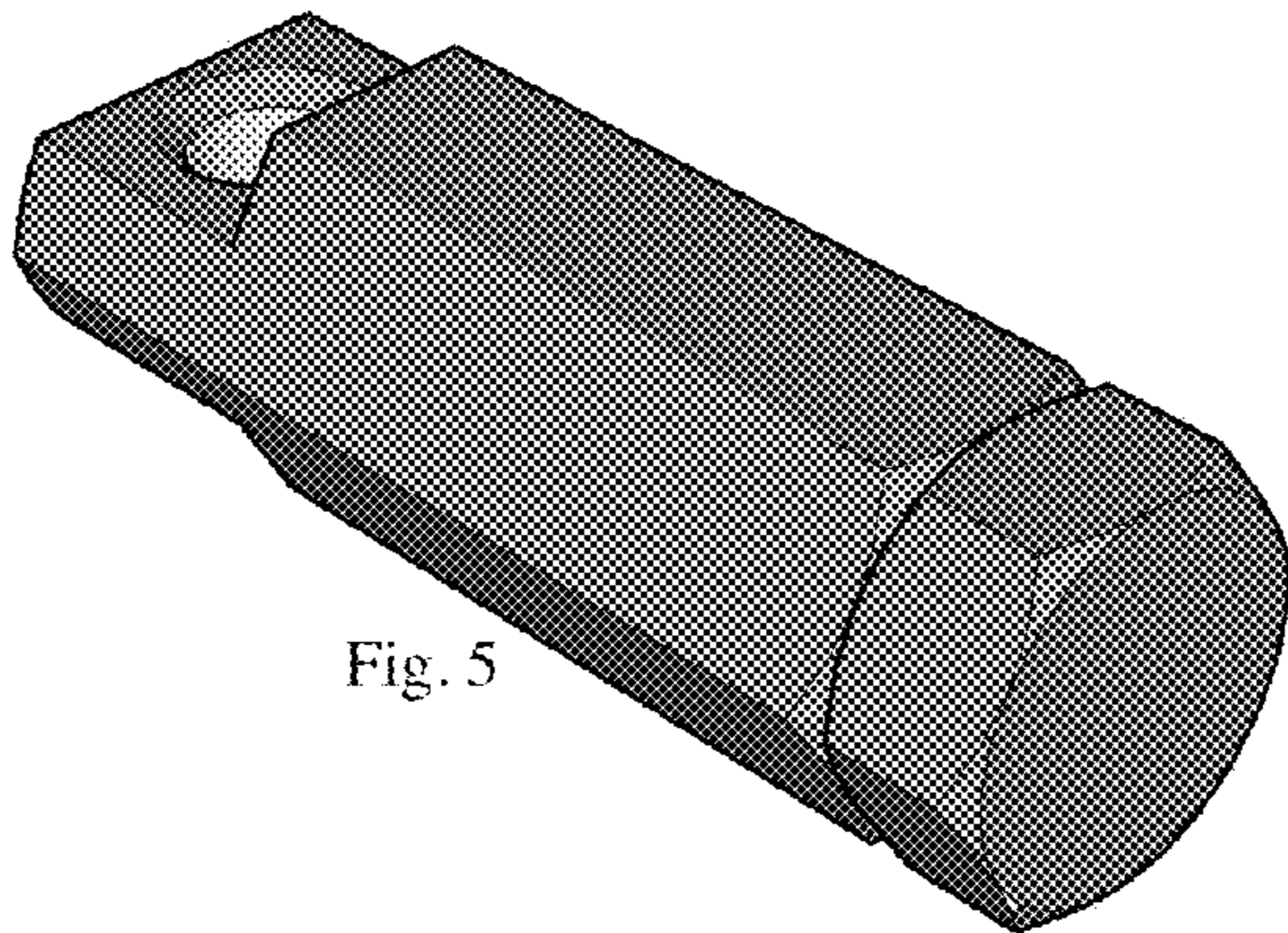


Fig. 6

