



US00D611945S

(12) **United States Design Patent**
Yao

(10) **Patent No.:** **US D611,945 S**
(45) **Date of Patent:** **** Mar. 16, 2010**

(54) **MEMORY CARD**

(76) Inventor: **Li-Ho Yao**, 4F, No. 99, Tungan St.,
Taipei (TW)

(**) Term: **14 Years**

(21) Appl. No.: **29/241,827**

(22) Filed: **Nov. 2, 2005**

Related U.S. Application Data

(62) Division of application No. 29/215,697, filed on Oct.
25, 2004.

(51) **LOC (9) Cl.** **14-02**

(52) **U.S. Cl.** **D14/436**

(58) **Field of Classification Search** D14/432-38;
361/736-7, 686; D13/182, 184; 40/124.01;
235/487-95, 441-3, 375; 283/900, 904;
257/378-9; 439/135; D19/9, 10

See application file for complete search history.

(56) **References Cited**

U.S. PATENT DOCUMENTS

D474,773 S * 5/2003 Kondo D14/435
D478,087 S * 8/2003 Aldridge D14/433
D488,475 S * 4/2004 Yu et al. D14/436

D491,951 S * 6/2004 Yu et al. D14/436
D492,688 S * 7/2004 Wallace et al. D14/437
D493,466 S * 7/2004 Yu et al. D14/436
D493,798 S * 8/2004 Yu et al. D14/436
D494,180 S * 8/2004 Taniguchi D14/436
D505,959 S * 6/2005 Yamada et al. D14/436
D510,935 S * 10/2005 Yamada et al. D14/436

* cited by examiner

Primary Examiner—M. H. Tung

(74) *Attorney, Agent, or Firm*—patenttm.us

(57) **CLAIM**

The ornamental design for a memory card, as shown.

DESCRIPTION

FIG. 1 is a perspective view of a memory card showing my design;

FIG. 2 is a front elevational view thereof;

FIG. 3 is a rear elevational view thereof;

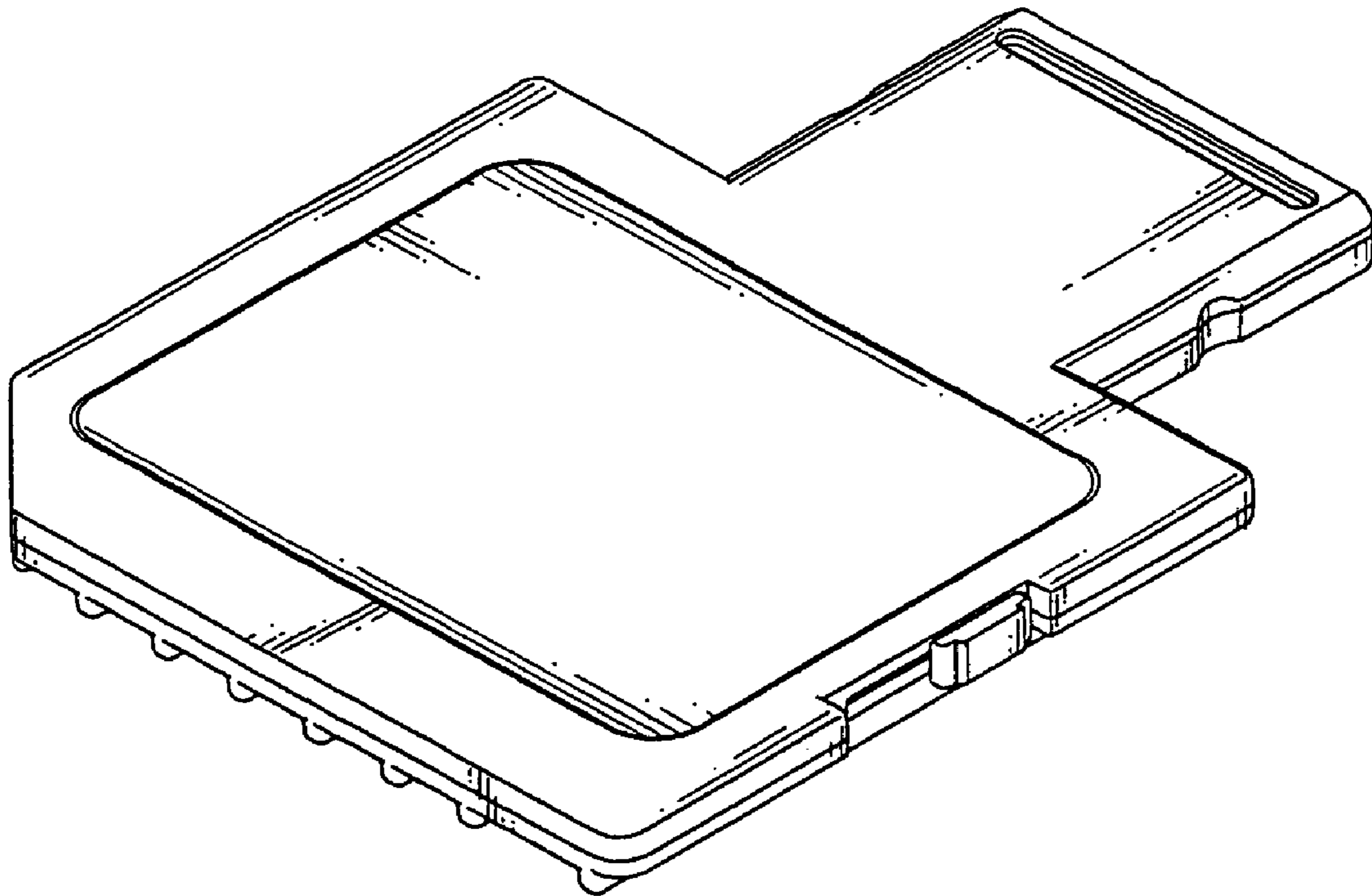
FIG. 4 is a left elevational view thereof;

FIG. 5 is a right elevational view thereof;

FIG. 6 is top plan view thereof; and,

FIG. 7 is a bottom plan view thereof.

1 Claim, 4 Drawing Sheets



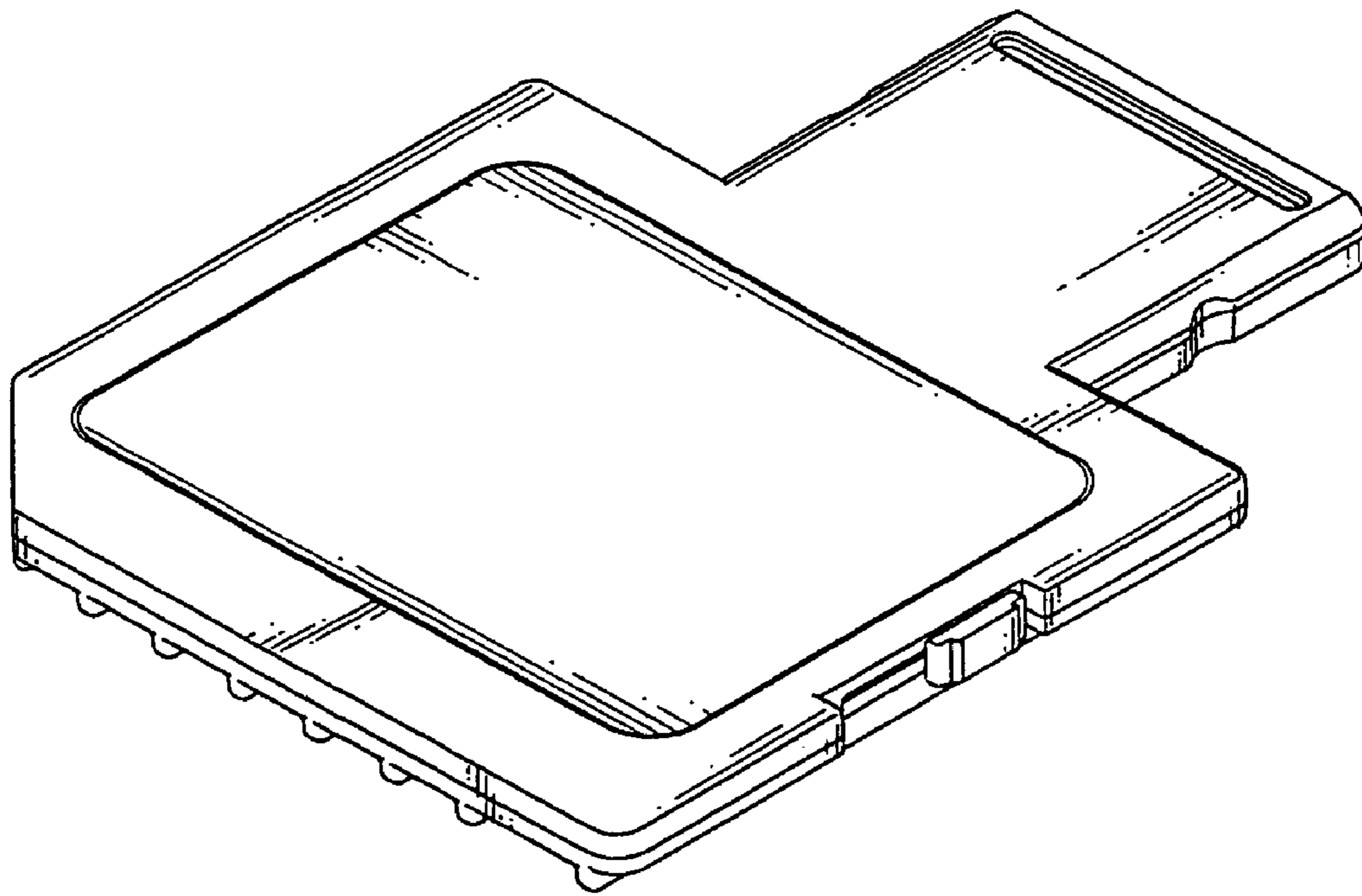


FIG. 1

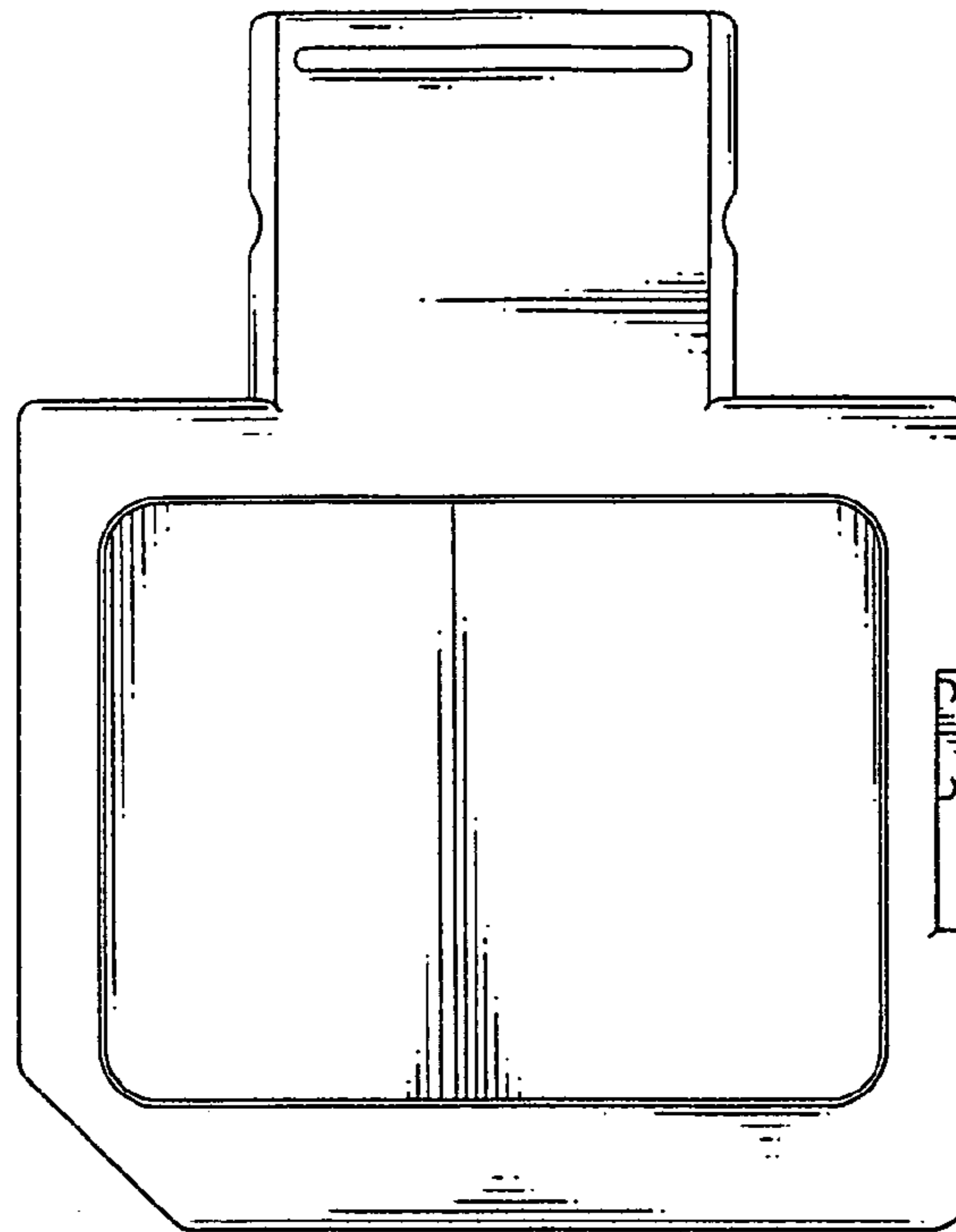


FIG. 2

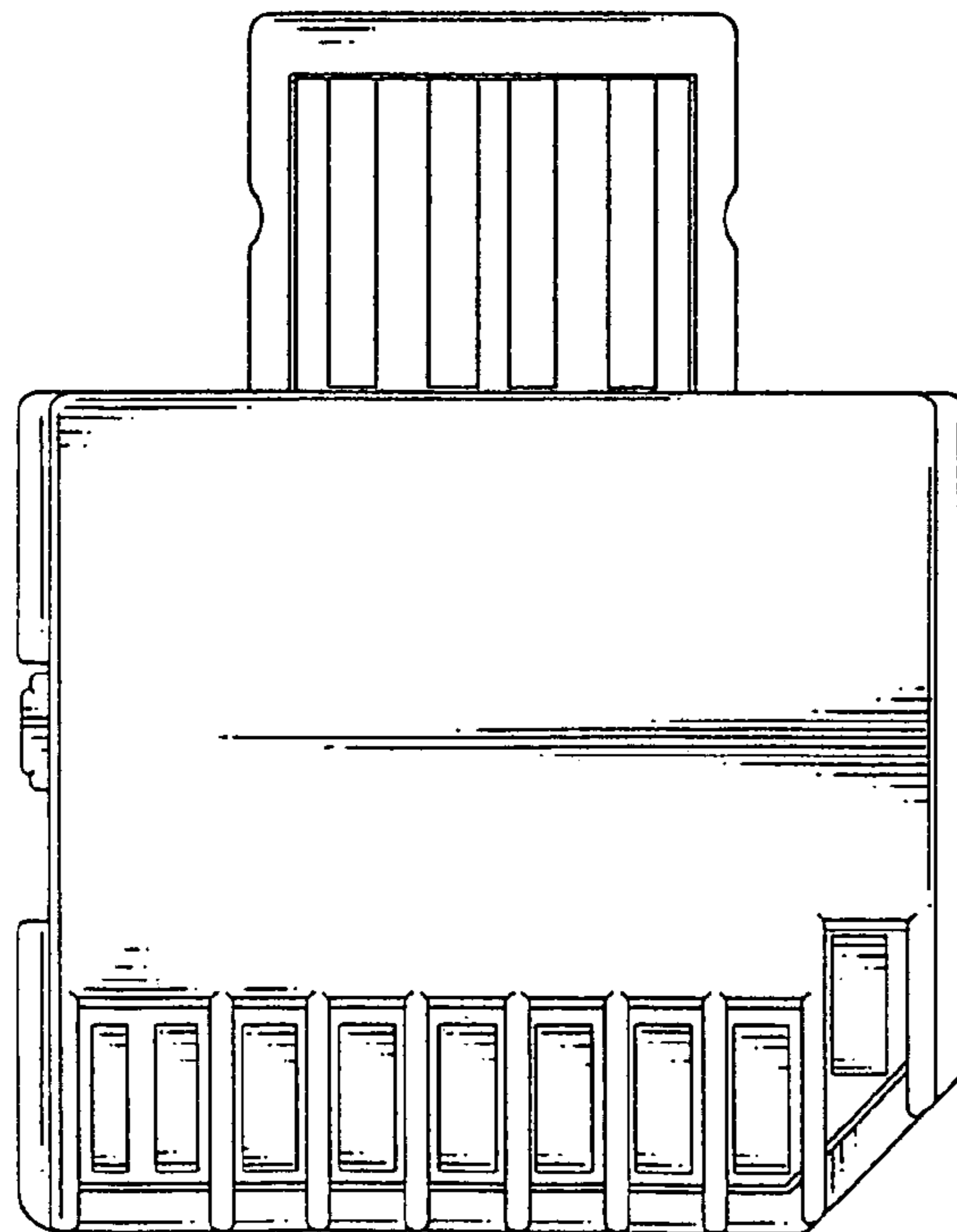


FIG. 3



FIG. 5



FIG. 4



FIG. 6

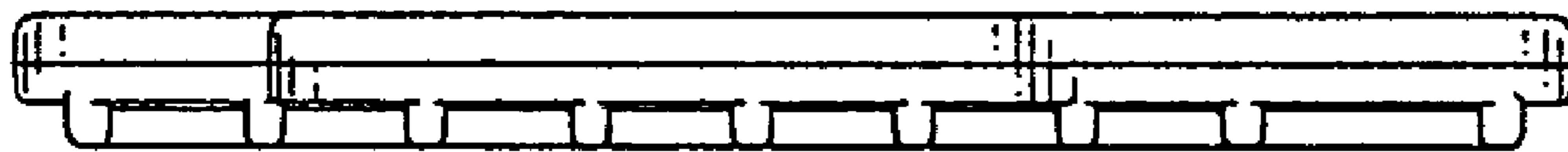


FIG. 7